

# **BOMAR**<sup>®</sup>

Operating Instructions for Band Saw

## ***transverse 615.340 DGS***



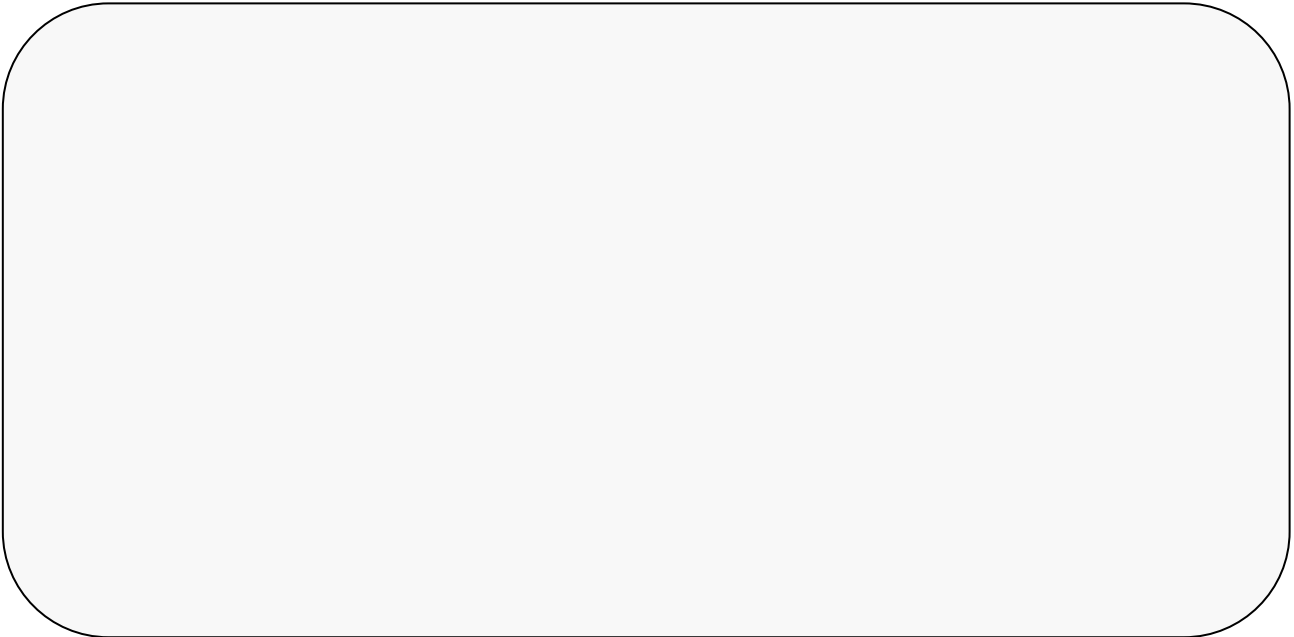
**Before transporting and using the machine, please read the instructions thoroughly!**

Serial number:



## Service and Information

In case of technical difficulties or spare parts order, please contact your dealer:



Or contact Bomar, spol. s r.o. directly:

**BOMAR, spol. s r.o.**  
Těžební 1236/1  
62700 Brno  
CZECH REPUBLIC

Telephone: +420 – 533 426 100  
Fax: +420 – 533 426 109

e-mail: [info@bomar.cz](mailto:info@bomar.cz)  
WWW: <http://www.bomar.cz>

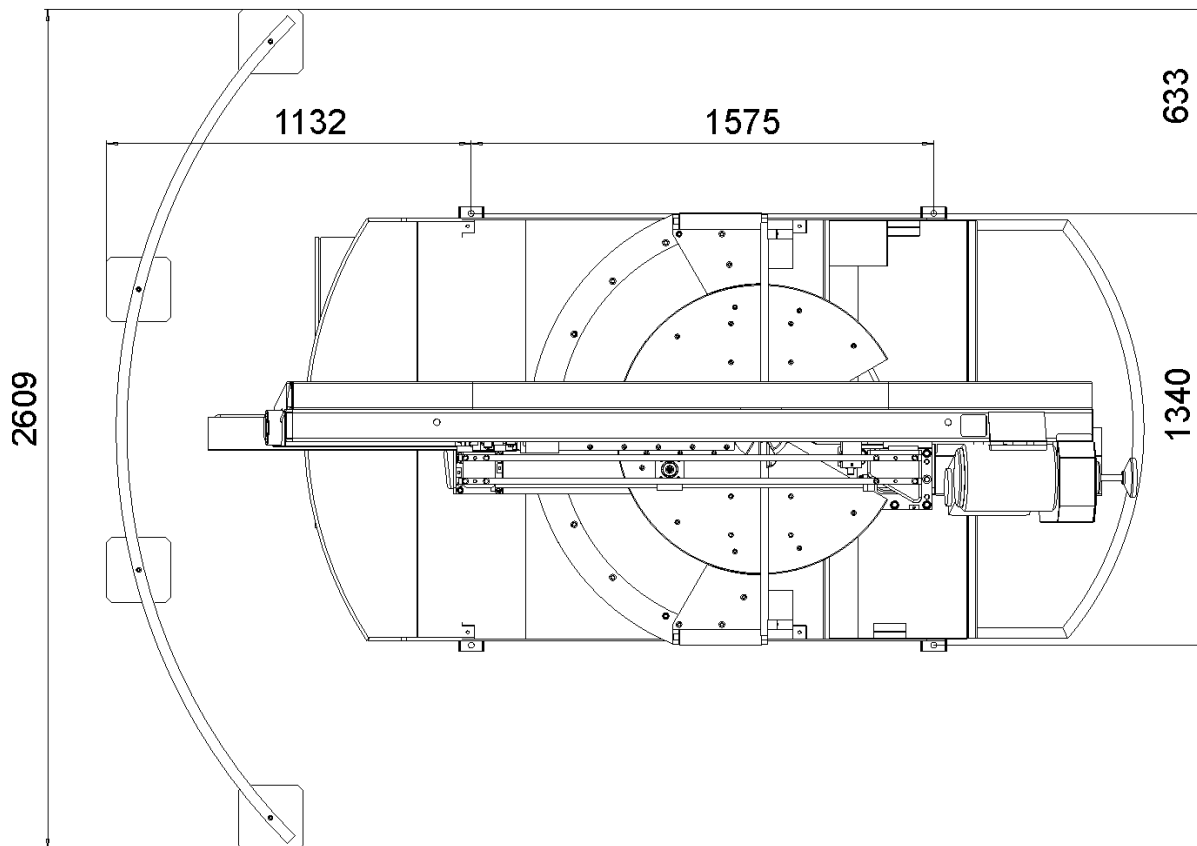
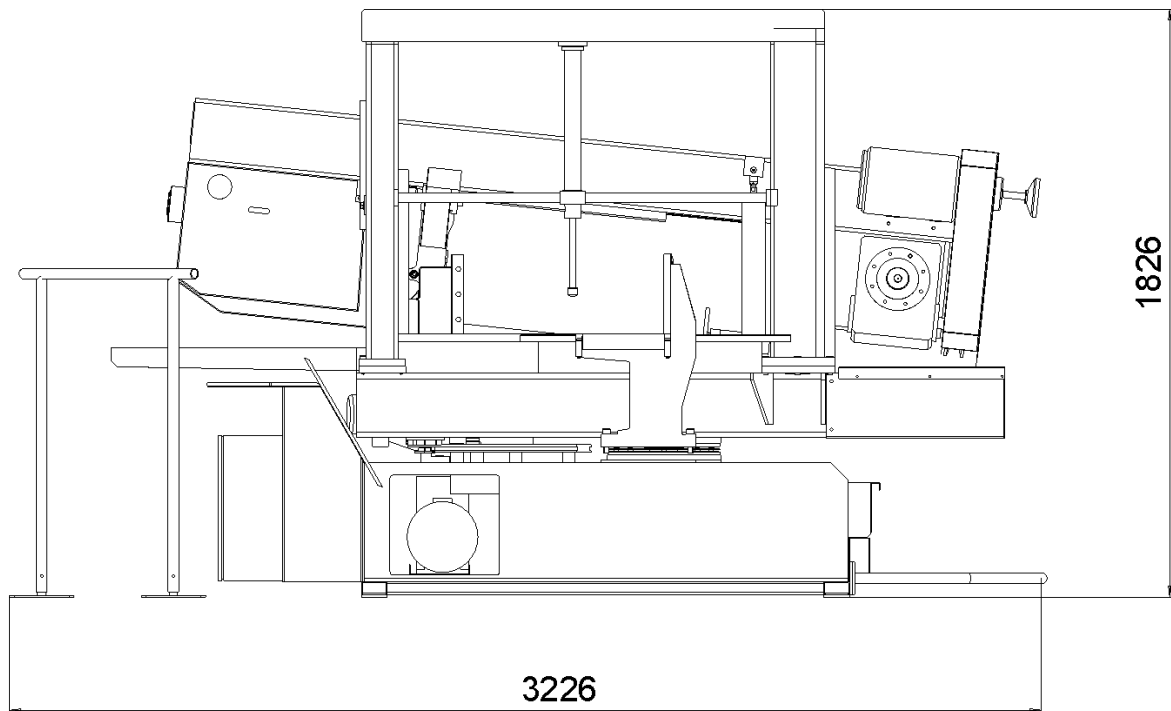
We are available Mondays to Fridays from 7<sup>00</sup> to 16<sup>00</sup>.

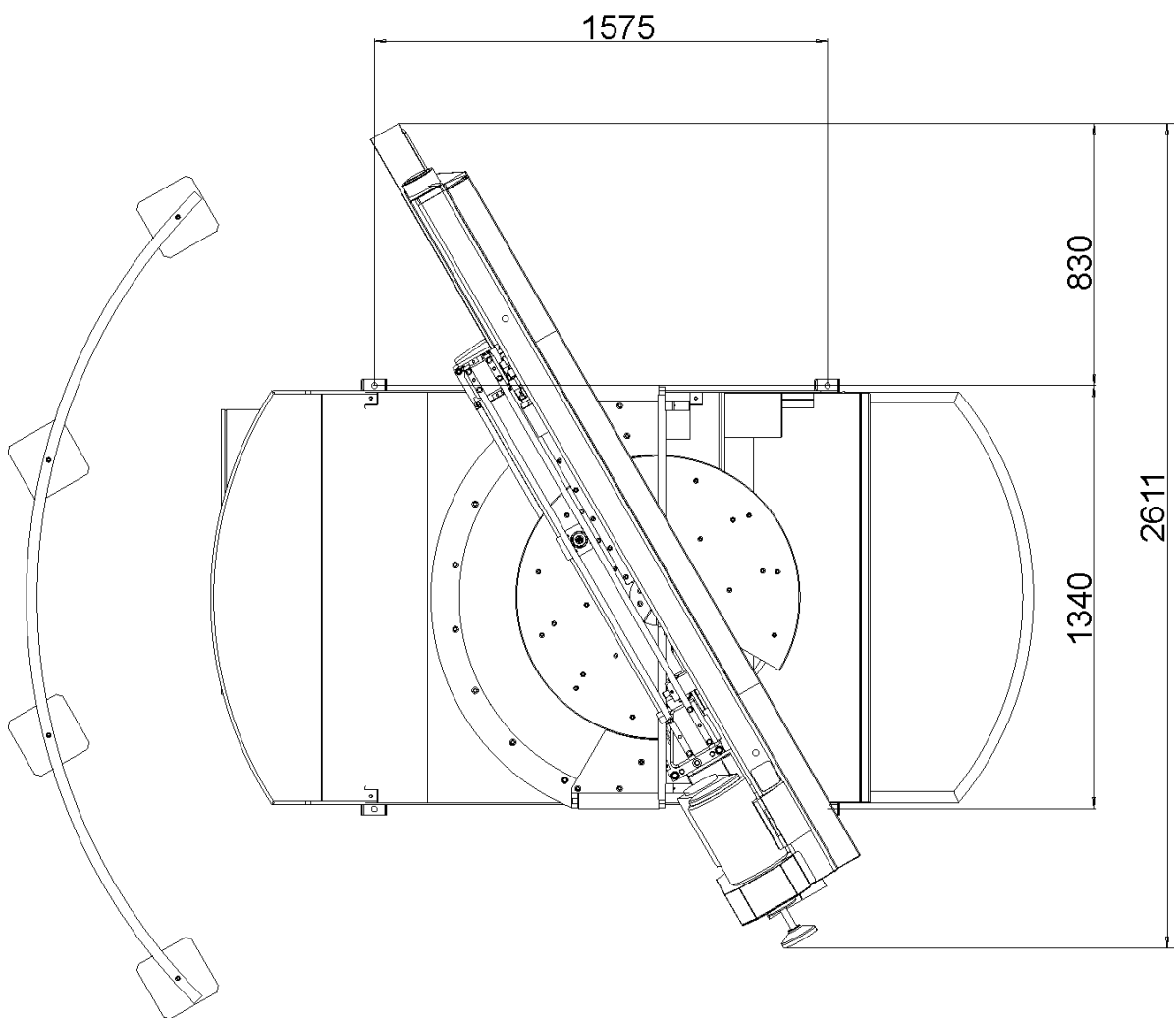
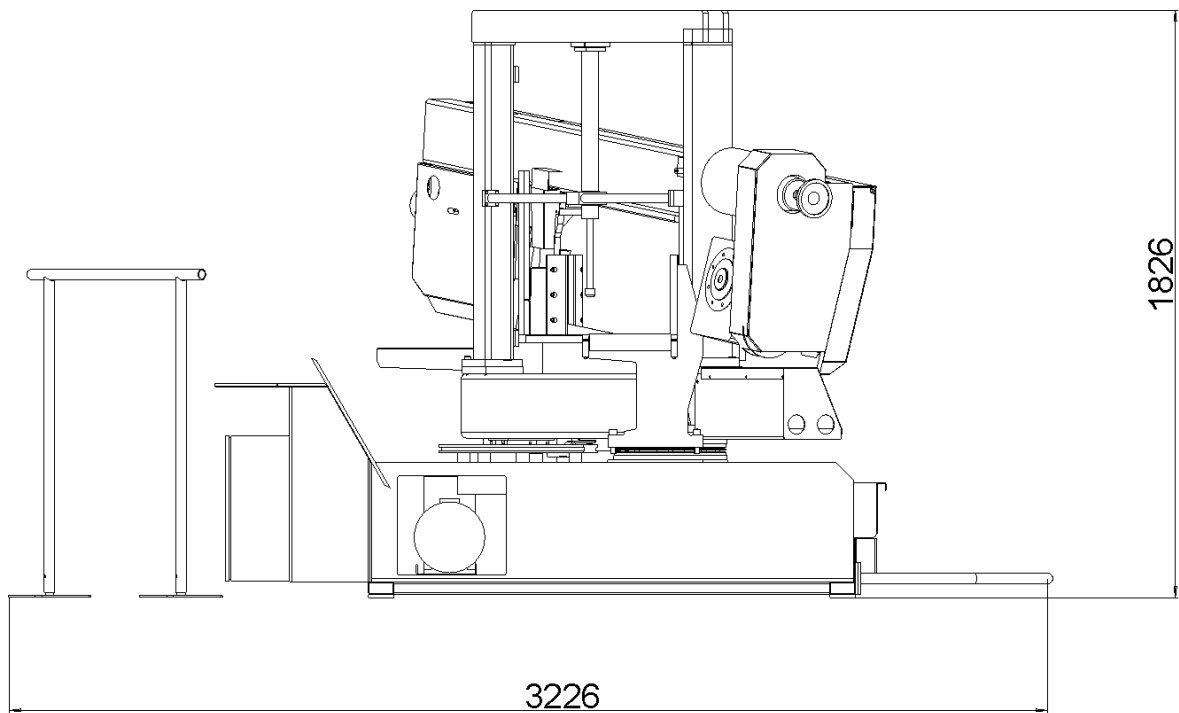
# Content

<b>1. INTRODUCTION .....</b>	<b>6</b>
<b>2. BAND SAW USING .....</b>	<b>6</b>
<b>3. TECHNICAL DATA.....</b>	<b>7</b>
<b>4. SAFETY NOTES .....</b>	<b>8</b>
4.1. GENERAL .....	8
4.2. PROTECTIVE SUIT AND PERSONAL SAFETY.....	8
4.3. SAFETY NOTES FOR MACHINE OPERATOR .....	9
4.4. SAFETY NOTES FOR THE SERVICING AND REPAIRS .....	11
4.5. SAFETY MACHINE ACCESSORIES.....	11
<b>5. TRANSPORTATION AND STOCKING .....</b>	<b>13</b>
5.1. CONDITIONS FOR TRANSPORTATION AND STOCKING .....	13
5.2. SAFETY NOTES .....	13
5.3. TRANSPORT AND STOCKING PREPARATIONS .....	14
5.4. TRANSPORT AND STOCKING.....	14
<b>6. ACTIVATION .....</b>	<b>15</b>
6.1. MACHINE WORKING CONDITIONS.....	15
6.2. MACHINE INSTALLING AND LEVELLING .....	15
6.3. BAND SAW UNPACKING AND ASSEMBLING .....	16
6.4. ELECTRICAL CONNECTION .....	17
6.5. FILLING OF THE COOLING SYSTEM.....	18
6.6. CHECK MACHINE FUNCTIONS .....	19
<b>7. CONTROL PANEL – DESCRIPTION.....</b>	<b>21</b>
<b>8. MATERIAL INSERTION.....</b>	<b>24</b>
8.1. SAFETY NOTES .....	24
8.2. HANDLING AGENT SELECTION .....	24
8.3. MATERIAL INSERTION .....	24
8.4. BUNDLE MATERIAL CUTTING .....	25
<b>9. BAND SAW ADJUSTING .....</b>	<b>26</b>
9.1. SAFETY NOTES .....	26
9.2. SETTING OF ANGULAR CUT .....	26
9.3. OPTIMAL ADJUSTING OF THE GUIDE CUBES SPAN .....	26
9.4. CUTTING SPEED ADJUSTMENT .....	26
9.5. SETTING OF THE TOP CLAMPING .....	27
9.6. SETTING OF THE CLAMPING PRESSURE OF THE VICE.....	28
9.7. SETTING OF THE CUTTING PRESSURE REGULATION .....	29
9.8. SET MODE.....	30
9.9. MANUAL MODE .....	31
9.10. SEMI – AUTOMATIC MODE.....	31
9.11. BREAK-IN OF THE SEMI-AUTOMATIC CYCLE .....	33
<b>10. BLANKS REMOVING FROM THE BAND SAW .....</b>	<b>34</b>

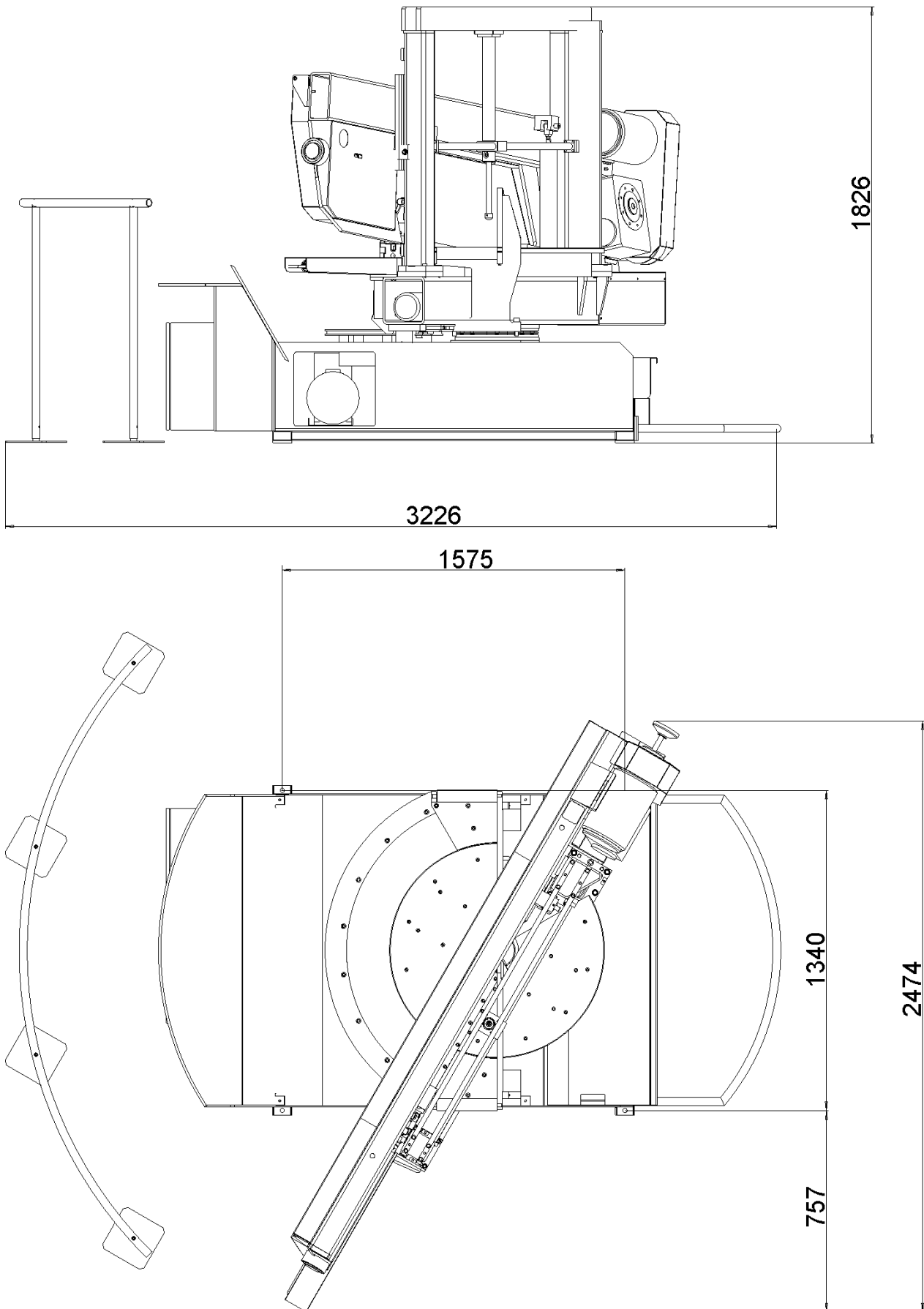
10.1.	SAFETY NOTES .....	34
10.2.	HANDLING AGENT SELECTION .....	34
10.3.	BLANKS REMOVING .....	34
<b>11.</b>	<b>SELECTION AND REPLACEMENT OF THE SAW BAND .....</b>	<b>35</b>
11.1.	SAFETY NOTES .....	35
11.2.	SAW BAND SIZE .....	35
11.3.	SELECTION OF THE SAW BAND TOOTH SYSTEM: .....	35
11.4.	SAW BAND RUNNING – IN .....	37
11.5.	SAW BAND DISMANTLING .....	38
11.6.	SAW BAND INSTALLATION .....	39
11.7.	SAW BAND STRETCHING AND INSPECTION.....	41
	11.7.1. Saw band stretching.....	41
	11.7.2. Saw band inspection .....	41
<b>12.</b>	<b>COOLING AGENTS AND CHIPS DISPOSAL.....</b>	<b>42</b>
12.1.	SAFETY NOTES .....	42
12.2.	COOLING LIQUID PREPARATION .....	42
12.3.	COOLANT DEVICE INSPECTION .....	43
12.4.	CHIPS DISPOSAL .....	44
<b>13.</b>	<b>GREASES AND OILS .....</b>	<b>45</b>
13.1.	GEARBOX OILS.....	45
13.2.	HYDRAULIC OILS .....	46
13.3.	LUBRICANT GREASES .....	46
<b>14.</b>	<b>SERVICE.....</b>	<b>47</b>
14.1.	MACHINE CLEANING .....	47
14.2.	LUBRICATION.....	47
14.3.	COOLING LIQUID INSPECTION.....	47
14.4.	HYDRAULIC OIL LEVEL CHECK .....	48
<b>15.</b>	<b>SERVICING AND ADJUSTMENT.....</b>	<b>49</b>
15.1.	GUIDING CUBES ADJUSTMENT .....	49
15.2.	HARD METAL GUIDES ADJUSTMENT .....	49
15.3.	SAW BAND RUN ADJUSTMENT ON THE STRETCHING WHEEL .....	49
15.4.	BRUSH ADJUSTMENT .....	50
15.5.	ADJUSTING OF THE LIMIT SWITCH OF THE SAW BAND STRETCHING .....	50
15.6.	SAW FRAME LOWER POSITION STOP ADJUSTMENT.....	51
15.7.	LIMIT SWITCH ADJUSTMENT OF THE SAW FRAME LOWER POSITION.....	51
15.8.	ADJUSTMENT OF THE CUTTING PRESSURE REGULATION .....	52
15.9.	ADJUSTMENT OF A THROTTLE VALVE .....	54
<b>16.</b>	<b>WORN PIECES REPLACEMENT .....</b>	<b>55</b>
16.1.	HARD METAL GUIDES REPLACEMENT .....	55
16.2.	PUSHING BEARING REPLACEMENT.....	57
16.3.	SAW BAND GUIDING PULLEYS REPLACEMENT.....	59
16.4.	ROUND BRUSH REPLACEMENT.....	61
16.5.	VARIATOR BAND REPLACEMENT.....	62
<b>17.</b>	<b>ROZMĚROVÉ SCHÉMA / AUFSTELLZEICHNUNG / INSTALLATION DIAGRAM .....</b>	<b>64</b>
<b>18.</b>	<b>ELEKTRICKÁ SCHÉMATA / ELEKTROSCHEMAS / WIRING DIAGRAMS.....</b>	<b>67</b>

<b>19. KUSOVNÍK ELEKTROSOUČÁSTÍ / STÜCKLISTE DER ELEKTROTEILEN / PIECE LIST OF ELEKTRPARTS.....</b>	<b>82</b>
<b>20. HYDRAULICKÁ SCHÉMATA / HYDRAULIKSCHEMA / HYDRAULIC DIAGRAM.....</b>	<b>83</b>
<b>21. VÝKRESY SESTAV PRO OBJEDNÁNÍ NÁHRADNÍCH DÍLŮ / ZEICHNUNGEN FÜR BESTELLUNG DER ERSATZTEILE / DRAWING ASSEMBLIES FOR SPARE PARTS ORDER.....</b>	<b>87</b>
21.1. SVĚRÁK / SCHRAUBSTOCK / VICE .....	88
21.2. VÁLEC SVĚRÁKU / SCHRAUBSTOCKZYLINDER / VICE CYLINDER - 251.199 .....	90
21.3. HORNÍ UPÍNÁNÍ / BÜNDELSPANNEINRICHTUNG / TOP CLAMPING .....	92
21.4. VÁLEC HORNÍHO UPÍNÁNÍ / BÜNDELSPANNZYLINDER / TOP CLAMPING CYLINDER .....	94
21.5. RAMENO A POHON / SÄGERAHMEN UND ANTRIEB / SAW ARM AND DRIVE .....	96
21.6. VARIÁTOR / VARIATOR / VARIATOR .....	98
21.7. NASTAVOVACÍ JEDNOTKA / VERSTELLEINHEIT-VARIATOR / ADJUSTING UNIT.....	100
21.8. NAPÍNÁNÍ PILOVÉHO PÁSU / SÄGEBANDSPANNUNG / SAW BAND STRETCHING .....	102
21.9. VÁLEC NAPÍNÁNÍ PILOVÉHO PÁSU / ZYLINDER DER SÄGEBANDSPANNUNG / SAW BAND STRETCHING CYLINDER - 251.067 .....	104
21.10. KRYTY / ABDECKUNGEN / COVERS.....	106
21.11. KARTÁČEK / SPÄNBÜRSTE / BRUSH.....	108
21.12. OTOČNÁ KONZOLA / DREHKONSOLE / TURNING CONSOLE.....	110
21.13. VÁLEC NATÁČENÍ / DREHUNGSZYLINDER / TURNING CYLINDER - 251.201 .....	112
21.14. ZVEDACÍ VÁLEC / HEBEZYLINDER / LIFTING CYLINDER - 251.198 .....	114
21.15. LEVÁ VODÍCÍ KOSTKA / LINKER FÜHRUNGSKLOTZ / LEFT GUIDING CUBE .....	116
21.16. PRAVÁ VODÍCÍ KOSTKA / RECHTER FÜHRUNGSKLOTZ / RIGHT GUIDING CUBE .....	118
<b>22. TROUBLESHOOTING TABLE.....</b>	<b>120</b>
<b>23. ROLLER CONVEYORS AND ACCESSORIES .....</b>	<b>123</b>
23.1. ROLLER CONVEYORS.....	123
23.2. ROLLER CONVEYORS PREPARED FOR POWERING .....	123
23.3. POWER AND CONTROL UNITS FOR POWERED CONVEYORS .....	124
23.4. LENGTH STOPS .....	125
23.5. CONNECTION PARTS – MANUAL (NON-POWERED).....	126
23.6. CONNECTION PARTS – MANUAL (POWERED).....	126
23.7. CONNECTION PARTS – AUTOMAT (NON-POWERED).....	126
23.8. CONNECTION PARTS – AUTOMAT (POWERED).....	126
23.9. ACCESSORIES OF ROLLER CONVEYORS.....	127
23.10. COVERS .....	128
23.11. CONNECTION SCHEMA OF THE ROLLER CONVEYORS TO THE BAND SAW .....	129
<b>DECLARATION OF CONFORMITY.....</b>	<b>135</b>

**17. Rozměrové schéma / Aufstellzeichnung / Installation diagram****Rozměrové schéma 1 / Aufstellzeichnung 1 / Installation diagram 1**



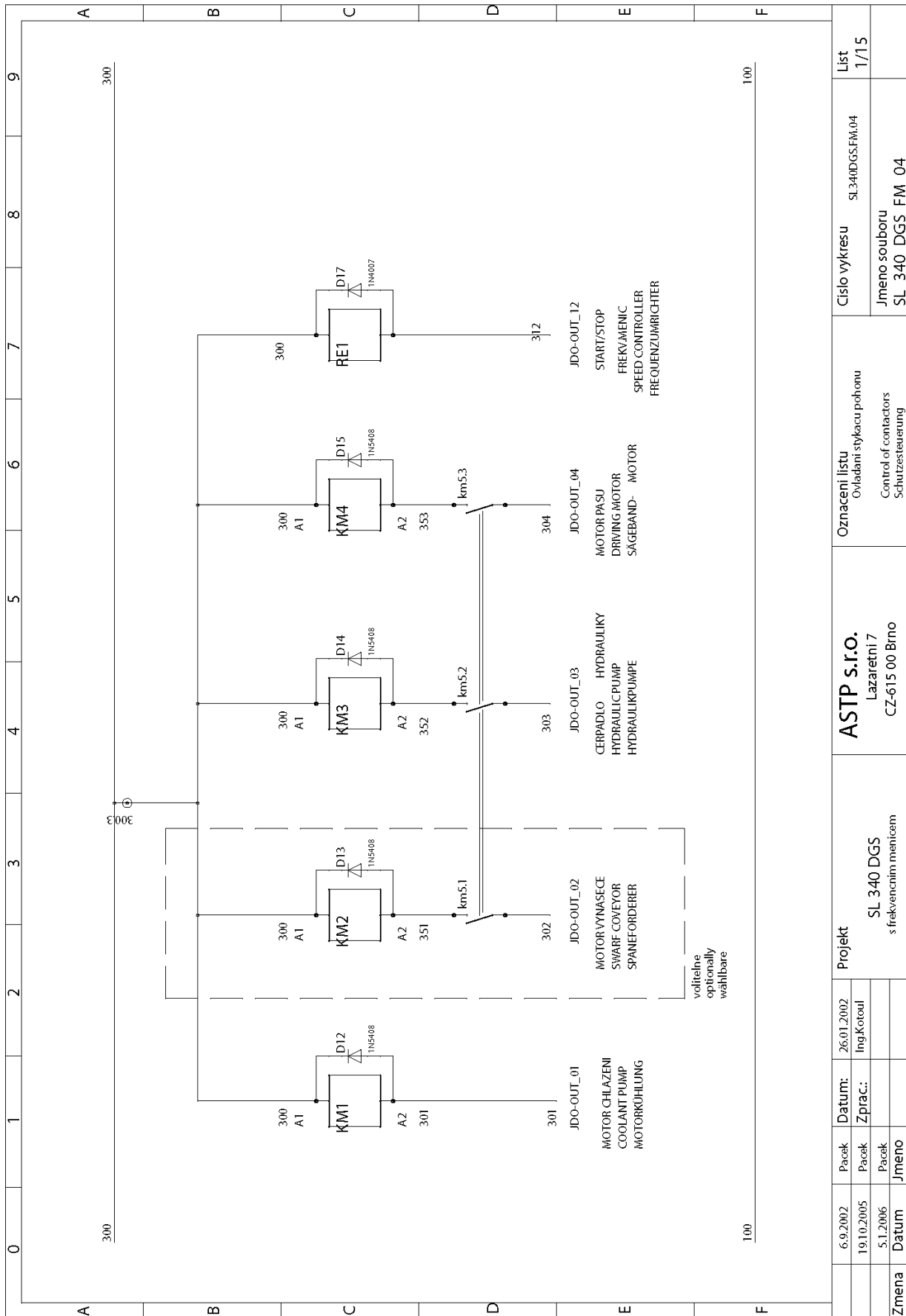
Rozměrové schéma 2 / Aufstellzeichnung 2 / Installation diagram 2



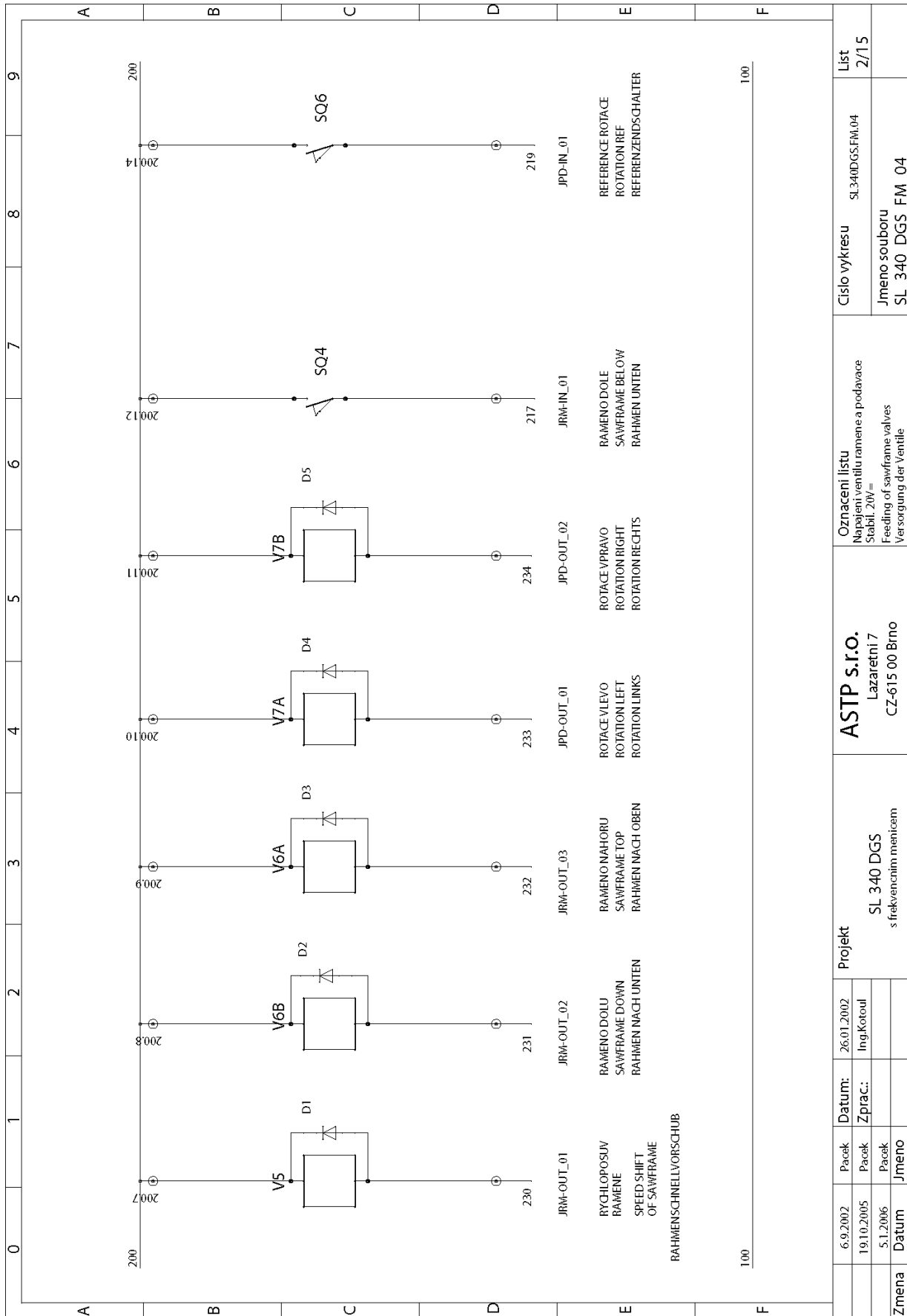
Rozměrové schéma 3 / Aufstellzeichnung 3 / Installation diagram 3



## 18. Elektrická schémata / Elektroschemas / Wiring diagrams

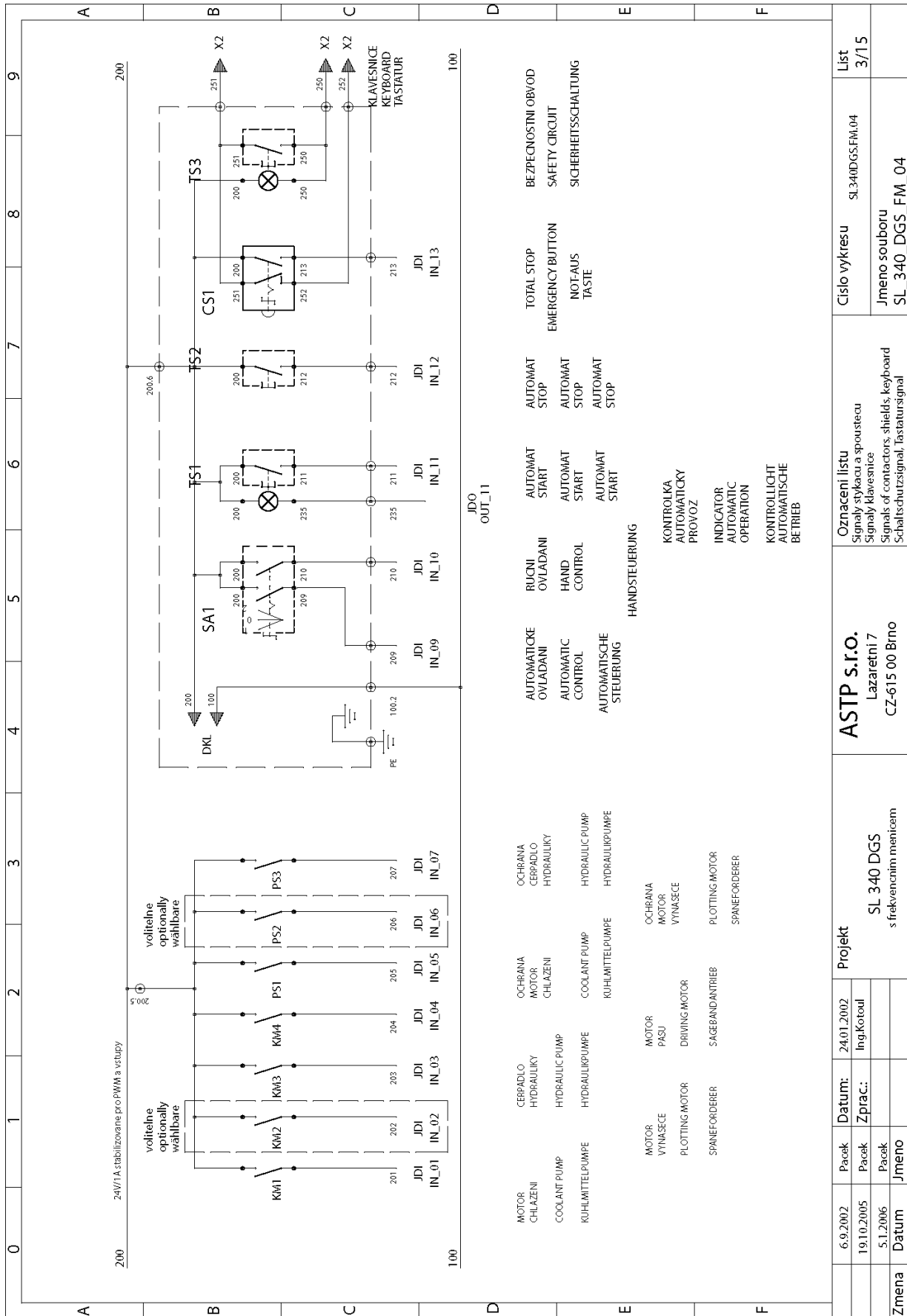


Elektrické schéma / Elektroschema / Wiring diagram 1



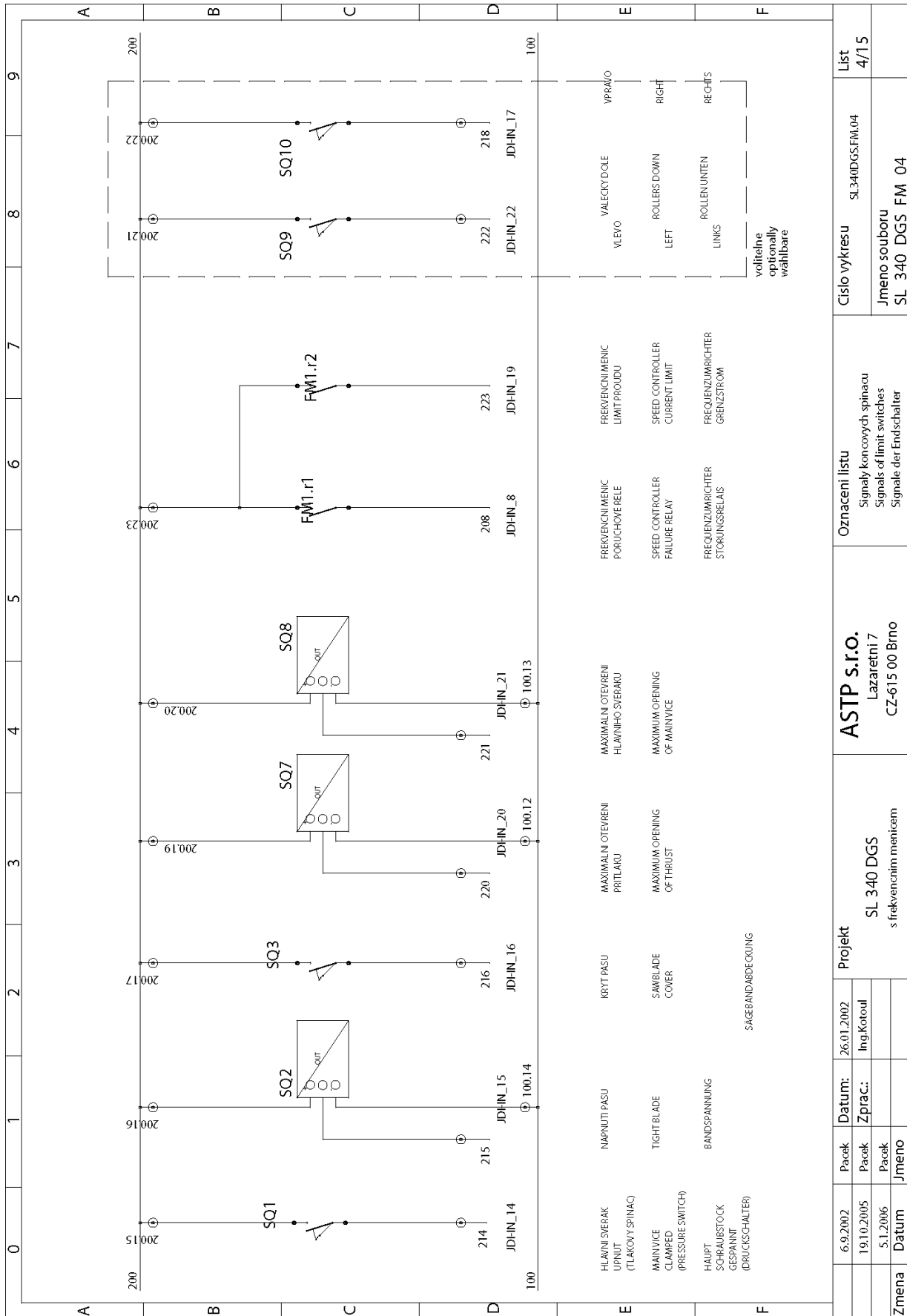
ASTP s.r.o. Lazaretní 7 CZ-615 00 Brno		Oznaceni listu Napajeni ventilu ramene a podavace Stabil. 20W= Feeding of sawframe valves Versorgung der Ventile		Cislo vykresu SL340DGS_FM.04	List 2/15
Projekt SL 340 DGS s frekvencnim menicem				Jmeno souboru SL_340_DGS_FM_04	
Datum: 6.9.2002	Pacak 19.10.2005	Datum: 26.01.2002	Pacak Ing.Katoul		
Zmena	Datum		Jmeno		

## Elektrické schéma / Elektroschema / Wiring diagram 2



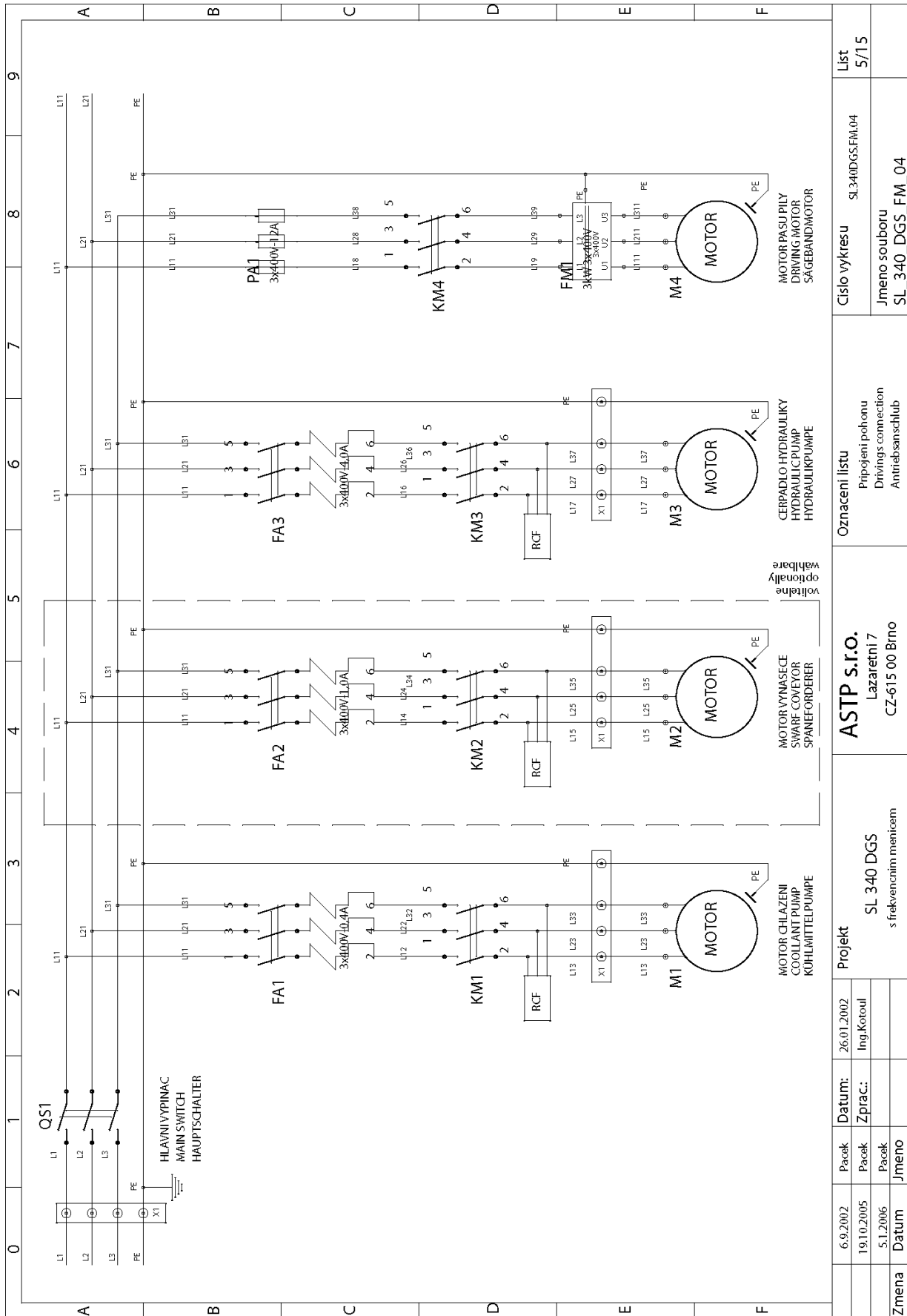
Elektrické schéma / Elektroschema / Wiring diagram 3

6.9.2002	Pacak	24.01.2002	Projekt	ASTP s.r.o.	Oznaceni listu	Cislo vykresu	List
19.10.2005	Pacak	Ing.Kotoul	SL 340 DGS	Lazaretni 7	Signaly stykaču a spousteču	SL340DGS.FM.04	3/15
5.1.2006	Pacak		s frekvencnim menicem	CZ-615 00 Brno	Signaly klavesnice	Jmeno souboru	
	Datum				Signals of contactors, shields, keyboard	SL_340_DGS_FM_04	
	Jmeno				Schaltzschutzsignal, tastatursignal		



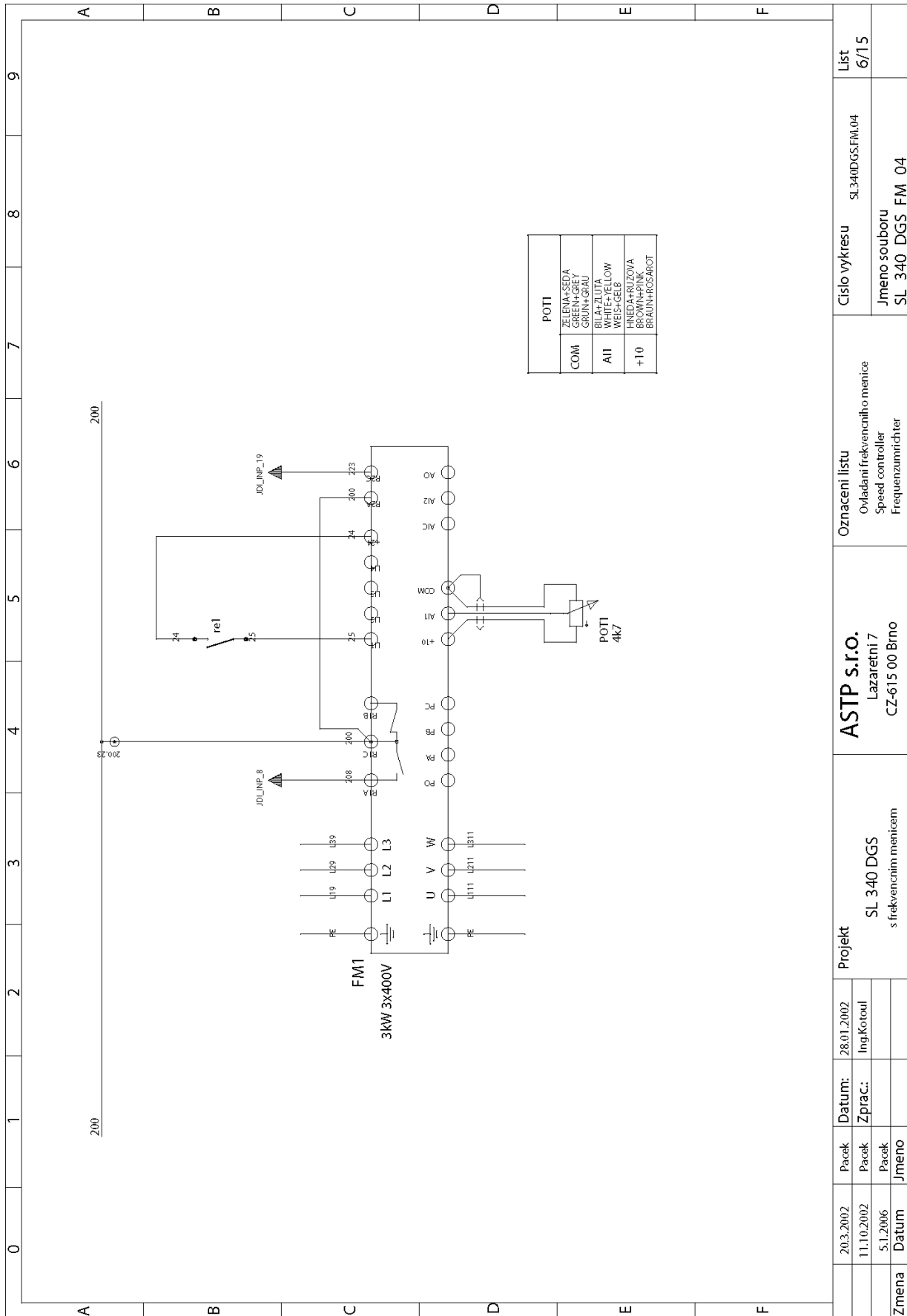
Změna	6.9.2002	Pacek	Datum:	26.01.2002	Projekt	ASTP s.r.o. Lazaretní 7 CZ-615 00 Brno	Oznacení listu	Cislo vykresu	List
	19.10.2005	Pacek	Zprac.:	Ing.Kotoul	SL 340 DGS s frekvencním menicem		Signály koncových spinaců Signals of limit switches Signale der Endschalter	SL340DGS.FM.04	4/15
	5.1.2006	Pacek	Jmeno				Jmeno souboru	SL_340_DGS_FM_04	

Elektrické schéma / Elektroschema / Wiring diagram 4

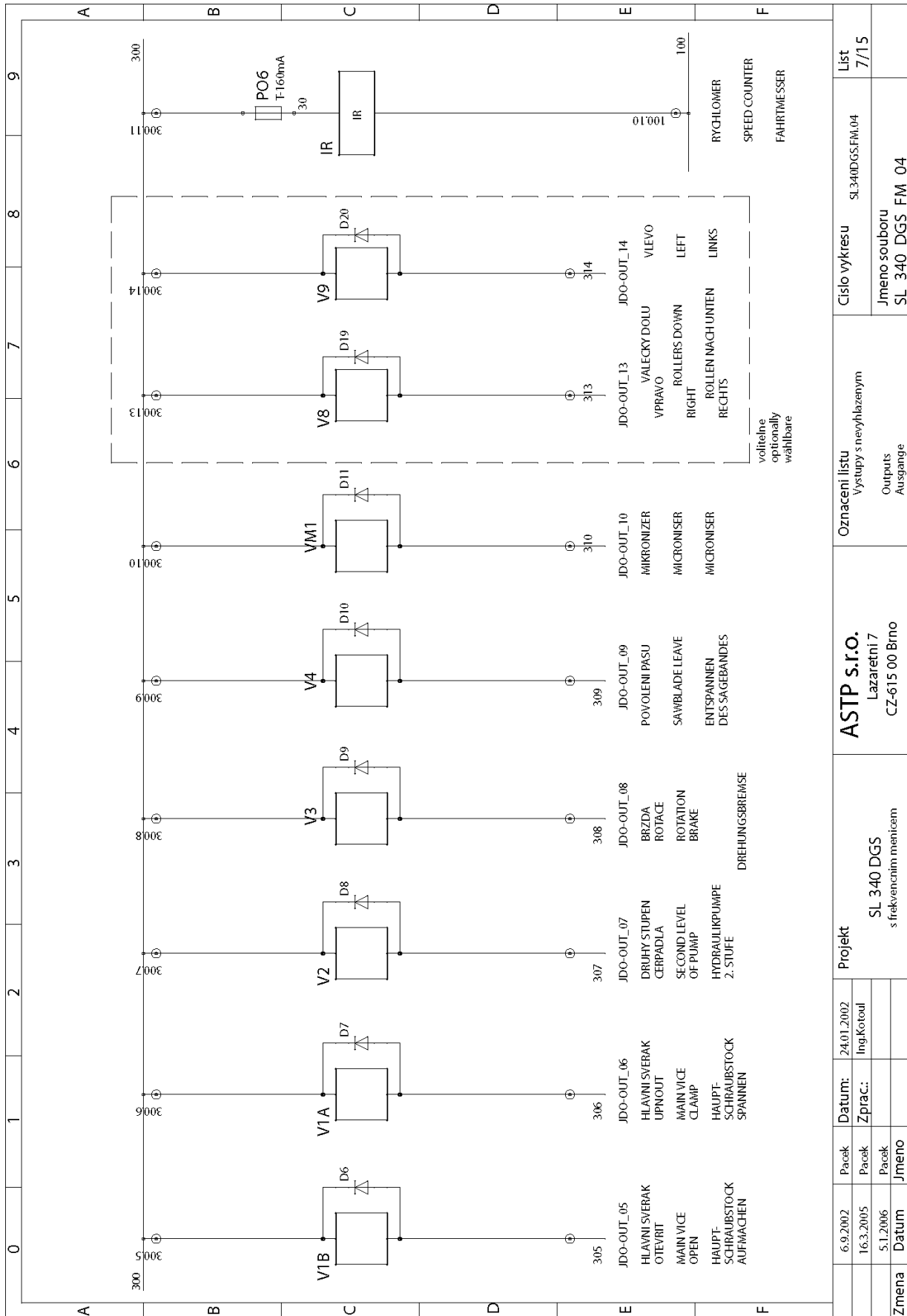


Zmena	6.9.2002	Pacek	26.01.2002	Projekt	ASTP s.r.o.	Oznaceni listu	Cislo vykresu	List
	19.10.2005	Pacek	Ing.Katoul	SL 340 DGS	Lazaretni 7	Pripojeni pohonu	SL340DGS.FM.04	5/15
	5.1.2006	Pacek		s frekvencnim menicem	CZ-615 00 Brno	Drivings connection	Jmeno souboru	
						Antriebsanschluß	SL_340_DGS_FM_04	

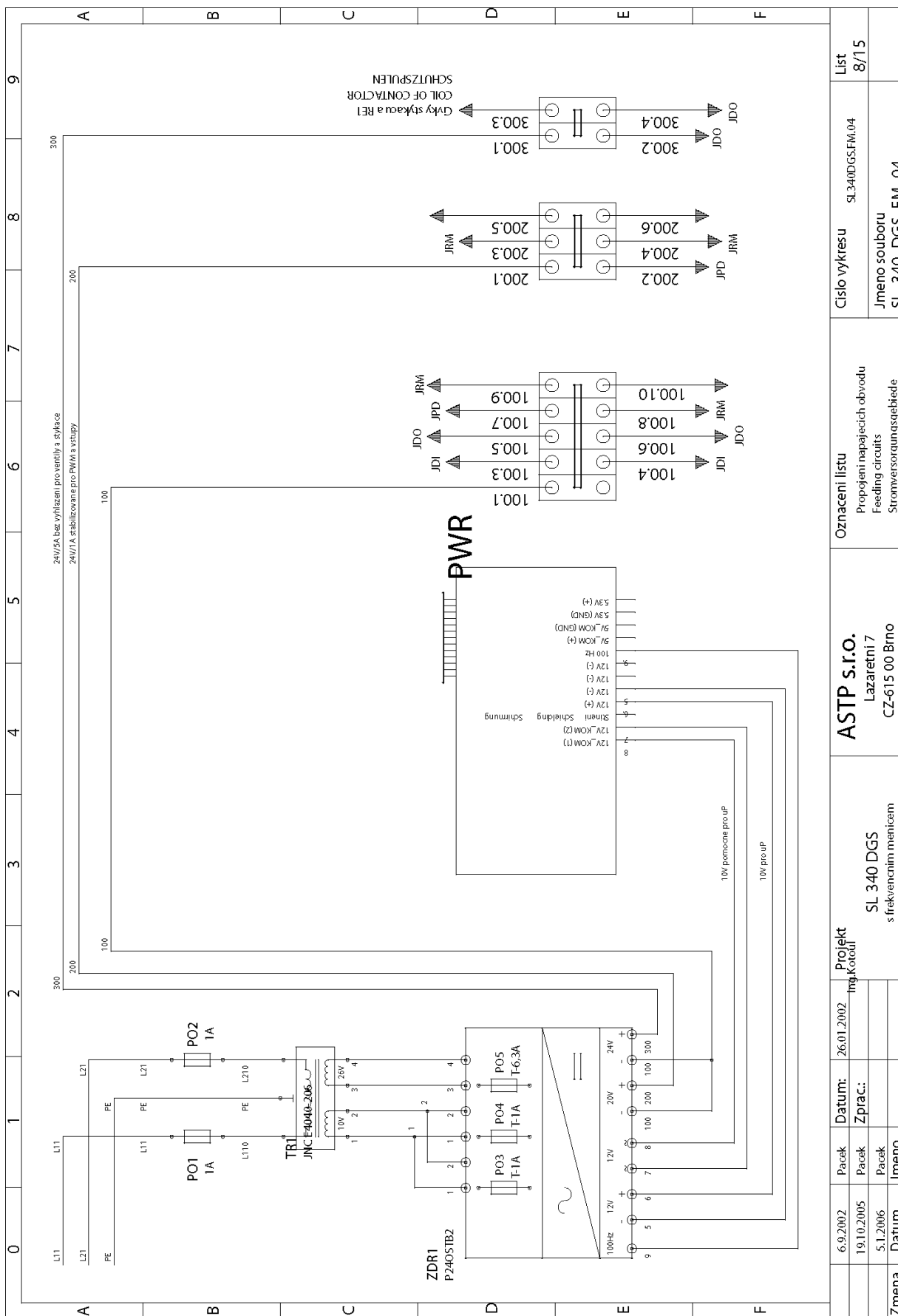
Elektrické schéma / Elektroschema / Wiring diagram 5



Elektrické schéma / Elektroschema / Wiring diagram 6



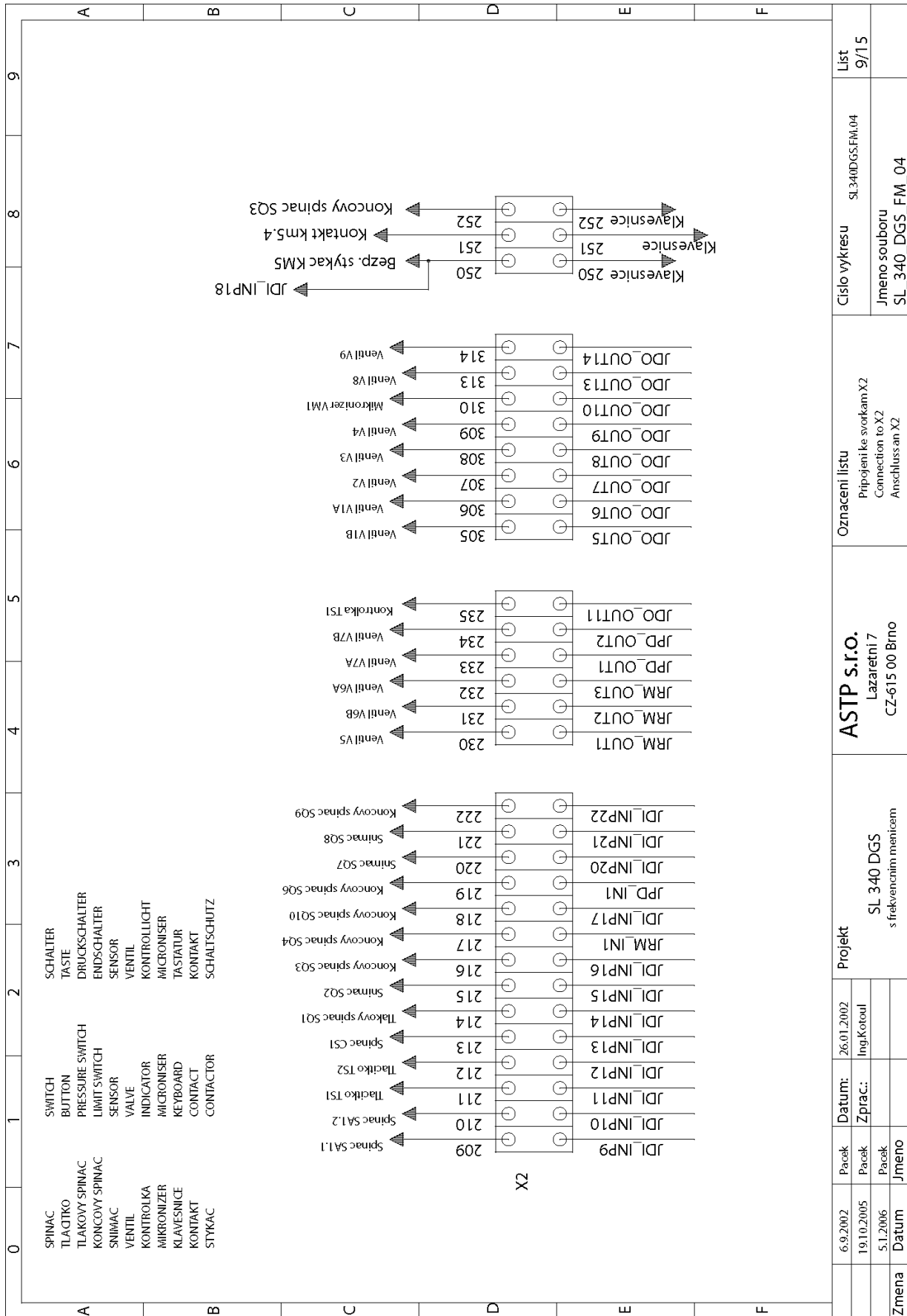
## Elektrické schéma / Elektroschema / Wiring diagram 7



6.9.2002	Pacek	Datum:	26.01.2002	Projekt	ASTP s.r.o.	Oznacení listu	SL340DGS_FM.04	Číslo vykresu	8/15
19.10.2005	Pacek	Zprac.:		Ing. Kotouč	Lazaretní 7	Propojení napájecích obvodů			
5.1.2006	Pacek	Jmeno			CZ-615 00 Brno	Feeding circuits			
Změna						Stromversorgungsgebiete	Jmeno souboru		
							SL_340_DGS_FM_04		

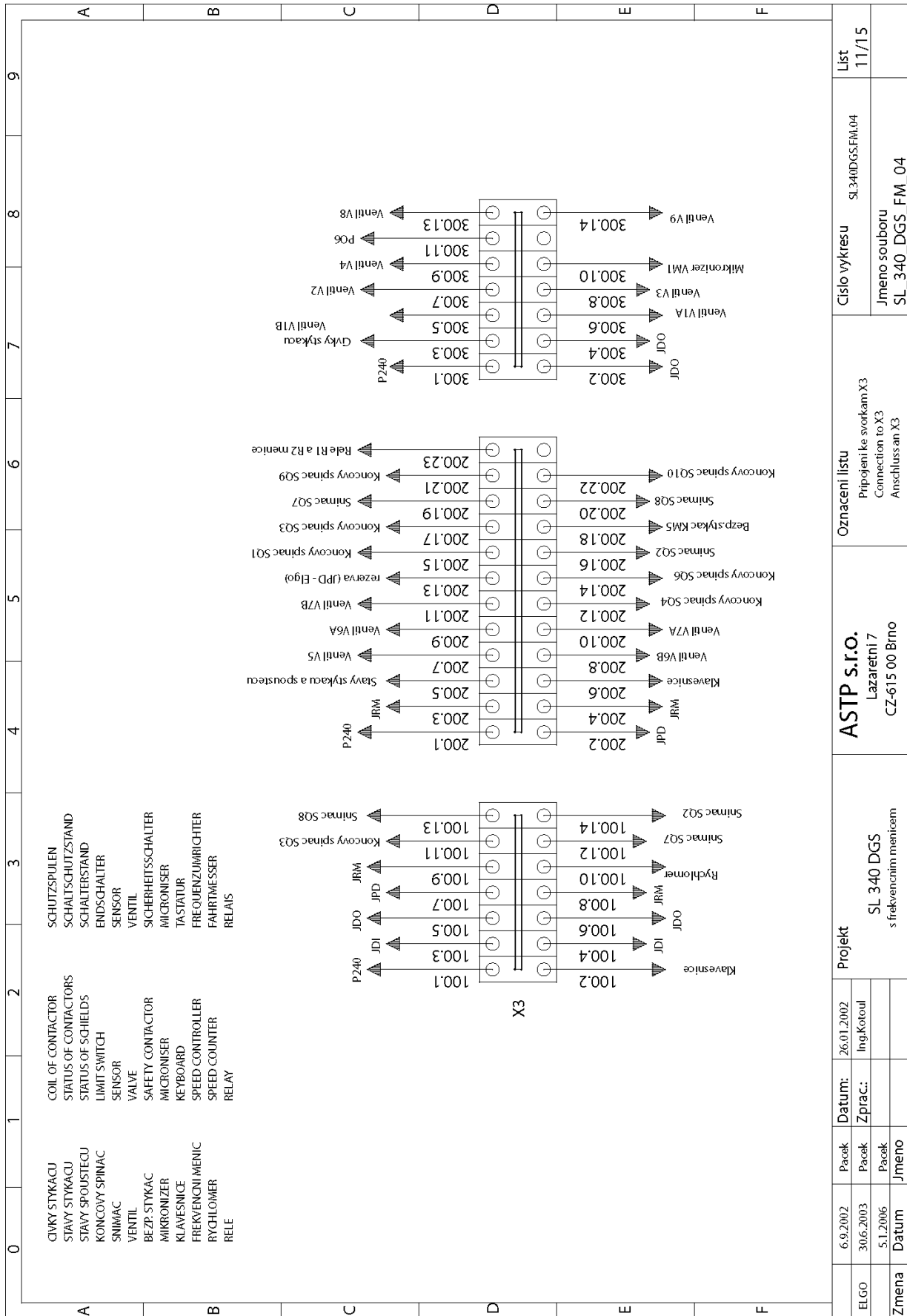
Elektrické schéma / Elektroschema / Wiring diagram 8



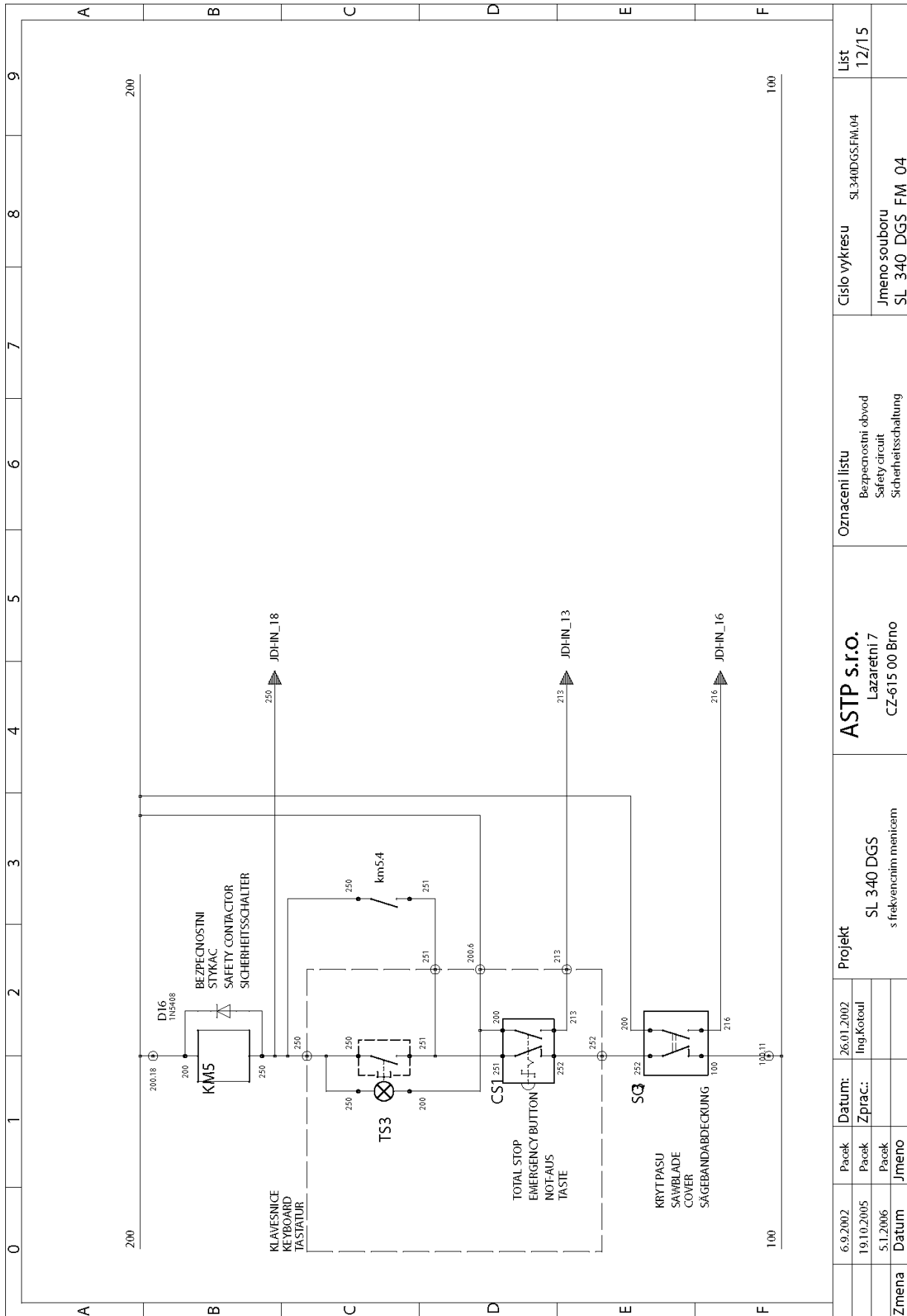


Elektrické schéma / Elektroschema / Wiring diagram 9





Elektrické schéma / Elektroschema / Wiring diagram 11



Elektrické schéma / Elektroschema / Wiring diagram 12

	0	1	2	3	4	5	6	7	8	9	
A	JDO - Signalizace stavu vystupu	14	Sklopit valecky vlevo								
		13	Sklopit valecky vpravo								
		12	Spustit frekvencni menic								
		11	Aktivovat kontrolku automatickeho rezimu								
		10	Aktivovat mikronizer								
		9	Povolit pas								
		8	Zabrzdit rotaci								
		7	Aktivovat druhy stupen cerpadla								
		6	Upnout hlavni sverak								
		5	Otevrit hlavni sverak								
		4	Zapnout motor pasu								
		3	Zapnout cerpadlo hydrauliky								
		2	Zapnout motor vynosce								
		1	Zapnout motor chlazení								
B	JDI - Signalizace stavu vystupu		tlacitko uvolneno								
			tlacitko stisknuto								
		16	Kryt pasu pily je otevren								
		15	Pas pily je napnuty								
		14	Hlavni sverak upnut								
		13	Total stop aktivovan								
		12	Stop automatickeho rezimu								
		11	Start automatickeho rezimu								
		10	Aktivovano rucni ovladani								
		9	Aktivovano automaticke ovladani								
		8	Poruchove rele frekv. menice sepnuto								
		7	Ochrana cerpadla hydrauliky OK								
C	JDI - Signalizace stavu vystupu										
D	CPU - Signalizace stavu jednotky	12	Napajeni 5V								
		11	Napajeni 5V-KOIM								
		10	Interni CAN - TXD								
		9	Interni CAN - RXD								
		8	Externi CAN - TXD								
		7	Externi CAN - RXD								
		6									
		5	Spojeni s jednotkou JPD OK								
		4	Spojeni s jednotkou JRM OK								
		3	Spojeni s jednotkou JDI OK								
		2	Spojeni s jednotkou JDO OK								
		1	Spojeni s jednotkou DKL OK								
E	PWR - Signalizace stavu napajeni										
F	JRM - Signalizace stavu ramene	12	Komunikace s CPU								
		11	Signal ze snimace vysky ramene								
		10	Povel CPU - Rameno nahoru								
		9	Povel CPU - Rameno dolu								
		8	Povel CPU - Rychlopostav ramene								
		7	Povel CPU - Zastavit rameno								
		6	Rameno je v klidu								
		5	Rameno je nad materialem								
		4	Rameno je dole								
		3	Rychlopostav ramene								
		2	Rameno nahoru								
		1	Rameno dolu								
D	JPD - Signalizace stavu podavace	12	Komunikace s CPU								
		11	Signal ze snimace vzdalenosti								
		10	Reference rotace ramene nastavena								
		9	Rameno je na referenci								
		8	Povel CPU - Rotace stop								
		7	Povel CPU - Rotace vpravo								
		6	Povel CPU - Rotace vlevo								
		5	Zadana poloha dosazena								
		4									
		3	Regulace podavace aktivni								
		2	Regulace - Rotace vpravo								
		1	Regulace - Rotace vlevo								
Projekt		ASTP s.r.o. Lazaretni 7 CZ-615 00 Brno		Oznaceni listu Signalizace LED diod		Cislo vykresu SL340DGS.FM.04		List 13/15			
Datum		17.1.2003		Pacak		16.8.2002					
Ledvina		13.2.2003		Zprac.							
Pacak		5.1.2006		Ing. Malenbycky							
Jmeno											
Zmena											

## Elektrické schéma / Elektroschema / Wiring diagram 13

	0	1	2	3	4	5	6	7	8	9		
A	JDO - Output State Signalization											
	14	Fall rollers left										
	13	Fall rollers right										
	12	Start up speed controller										
	11	Switch on the automatic cycle indicator										
	10	Activate the micromiser										
	9	Leave the sawband										
	8	Brake the rotation										
	7	Shift the pump into second stage										
	6	Close the main gripper										
	5	Open the main gripper										
	4	Turn on the band motor										
	3	Turn on the hydraulic pump										
	2	Turn on the swarf-removal motor										
1	Turn on the cooling motor											
B	JDI - Input State Signalization											
		button released										
	16	The sawband cover is open										
	15	The sawband is tight										
	14	Main gripper is closed										
	13	Total stop activated										
	12	Automatic mode stopped										
	11	Automatic mode started										
	10	Manual control activated										
	9	Automatic control activated										
	8	Speed controller failure relay on state										
	7	Hydraulic pump protection is OK										
	6	Swarf-removal motor protection is OK										
	5	Cooling motor protection is OK										
4	Band motor is ON											
3	Hydraulic pump is ON											
2	Swarf-removal motor is ON											
1	Cooling motor is ON											
C	JDI - Input State Signalization											
		button pushed										
	16	The sawband cover is open										
	15	The sawband is tight										
	14	Main gripper is closed										
	13	Total stop activated										
	12	Automatic mode stopped										
	11	Automatic mode started										
	10	Manual control activated										
	9	Automatic control activated										
	8	Speed controller failure relay on state										
	7	Hydraulic pump protection is OK										
	6	Swarf-removal motor protection is OK										
	5	Cooling motor protection is OK										
4	Band motor is ON											
3	Hydraulic pump is ON											
2	Swarf-removal motor is ON											
1	Cooling motor is ON											
D	JPD - Feeder State Signalization											
	12	Communication with CPU										
	11	Signal from position sensor										
	10	Reference position set										
	9	Arm at reference position										
	8	CPU command - Stop rotation										
	7	CPU command - Rotation to the right										
	6	CPU command - Rotation to the left										
	5	Desired location reached										
	4											
	3	Regulation of rotation is active										
	2	Rotation to the right										
	1	Rotation to the left										
	E	JRM - Arm State Signalization										
12		Communication with CPU										
11		Signal from position sensor										
10		Reference position set										
9		Arm at reference position										
8		CPU command - Stop rotation										
7		CPU command - Rotation to the right										
6		CPU command - Rotation to the left										
5		Desired location reached										
4												
3		Regulation of rotation is active										
2		Rotation to the right										
1		Rotation to the left										
F		Power - Power State Signalization										
	2	Voltage 5V-KOMI										
	1	Voltage 5V										
	PWR - Power State Signalization 2 Voltage 5V-KOMI 1 Voltage 5V											
	CPU - Unit State Signalization 12 Voltage 5V 11 Voltage 5V-KOMI 10 Internal CAN - TXD 9 Internal CAN - RXD 8 External CAN - TXD 7 External CAN - RXD 6 5 Connection with JPD unit OK 4 Connection with JRM unit OK 3 Connection with JDI unit OK 2 Connection with JDO unit OK 1 Connection with DKL unit OK											
	Oznaceni listu Description of LED diodes signalization											
	ASTP s.r.o. Lazaretni 7 CZ-615 00 Brno											
	Projekt SL 340 DGS s frekvencnim manevram											
	Datum: 16.8.2002 Zprac.: Ing. Malenovsky											
	Pacak Ledvina Datum 5.1.2006 Pacak Jmeno											
	Cislo vykresu SL340DGS.FM.04 List 14/15 Jmeno souboru SL_340_DGS_FM_04											

## Elektrické schéma / Elektroschema / Wiring diagram 14

	0	1	2	3	4	5	6	7	8	9	
A	JDO - Ausgabe - Standardanzeige										
	14	Links Rollen nach unten									
	13	Rechts Rollen nach unten									
	12	Frequenzumrichter einschalten									
	11	Kontrollleuchte (automat. Betrieb) aktivieren									
	10	Microniser aktivieren									
	9	Sägeband lösen									
	8	Drehung haltbremsen									
	7	Zweite Stufe der Hydraulik aktivieren									
	6	Hauptschraubstock spannen									
B	JDI - Eingabe - Standardanzeige										
	Taste gelöst										
	Taste gedrückt										
	16	Sägebandabdeckung geöffnet									
	15	Sägeband gespannt									
	14	Hauptschraubstock gespannt									
	13	NOT-AUS Taste aktiviert									
	12	STOP des automatischen Zyklus									
	11	START des automatischen Zyklus									
	10	Manuelles Bedienen aktiviert									
C	JPD - Vorschub - Standardanzeige										
	Kommunikation mit CPU										
	12	Signal des Abstandssensors									
	11	Referenzposition der Sägerahmen eingestellt									
	10	Sägerahmen befindet sich in der Referenzpos.									
	9	CPU-Befehl - Drehen nach rechts									
	8	CPU-Befehl - Drehen nach links									
	7	Vorschub in der gewünschten Position									
	6										
	5	Vorschubregulierung aktiv									
D	JDM - Ausgabe - Einheitsstand										
	Versorgung 5V										
	11	Versorgung 5V-KOM									
	10	Intern CAN - TXD									
	9	Intern CAN - RXD									
	8	Extern CAN - TXD									
	7	Extern CAN - RXD									
	6										
	5	Verbindung mit JPD-Einheit OK									
	4	Verbindung mit JRM-Einheit OK									
E	PWR - Versorgung - Standardanzeige										
	Versorgung 5V-KOM										
	Versorgung 5V										
	2										
	1										
	F	JRM - Sägerahmen - Standardanzeige									
		Kommunikation mit CPU									
		12	Signal des Sägerahmenhöhesensors								
		11	CPU-Befehl - Sägerahmen heben								
		10	CPU-Befehl - Sägerahmen senken								
9		CPU-Befehl - Sägerahmen senken									
8		CPU-Befehl - Eilgang des Sägerahmens									
7		CPU-Befehl - Sägerahmen stoppen									
6		Sägerahmen steht still									
5		Sägerahmen befindet sich über Material									
G	JPD - Vorschub - Standardanzeige										
	Kommunikation mit CPU										
	12	Signal des Abstandssensors									
	11	Referenzposition der Sägerahmen eingestellt									
	10	Sägerahmen befindet sich in der Referenzpos.									
	9	CPU-Befehl - Drehen nach rechts									
	8	CPU-Befehl - Drehen nach links									
	7	Vorschub in der gewünschten Position									
	6										
	5	Vorschubregulierung aktiv									
H	ASTP s.r.o. Lazaretní 7 CZ-615 00 Brno										
	Oznaceni listu Standardanzeige LED										
	Cislo vykresu SL340DGS.FM.04										
	Jmeno souboru SL_340_DGS_FM_04										
	List 15/15										
	Projekt SL 340 DGS s frekvencnim manicem										
	Datum: 10.3.2003										
	Pacak: Sestak										
	Zmena										

## Elektrické schéma / Elektroschema / Wiring diagram 15

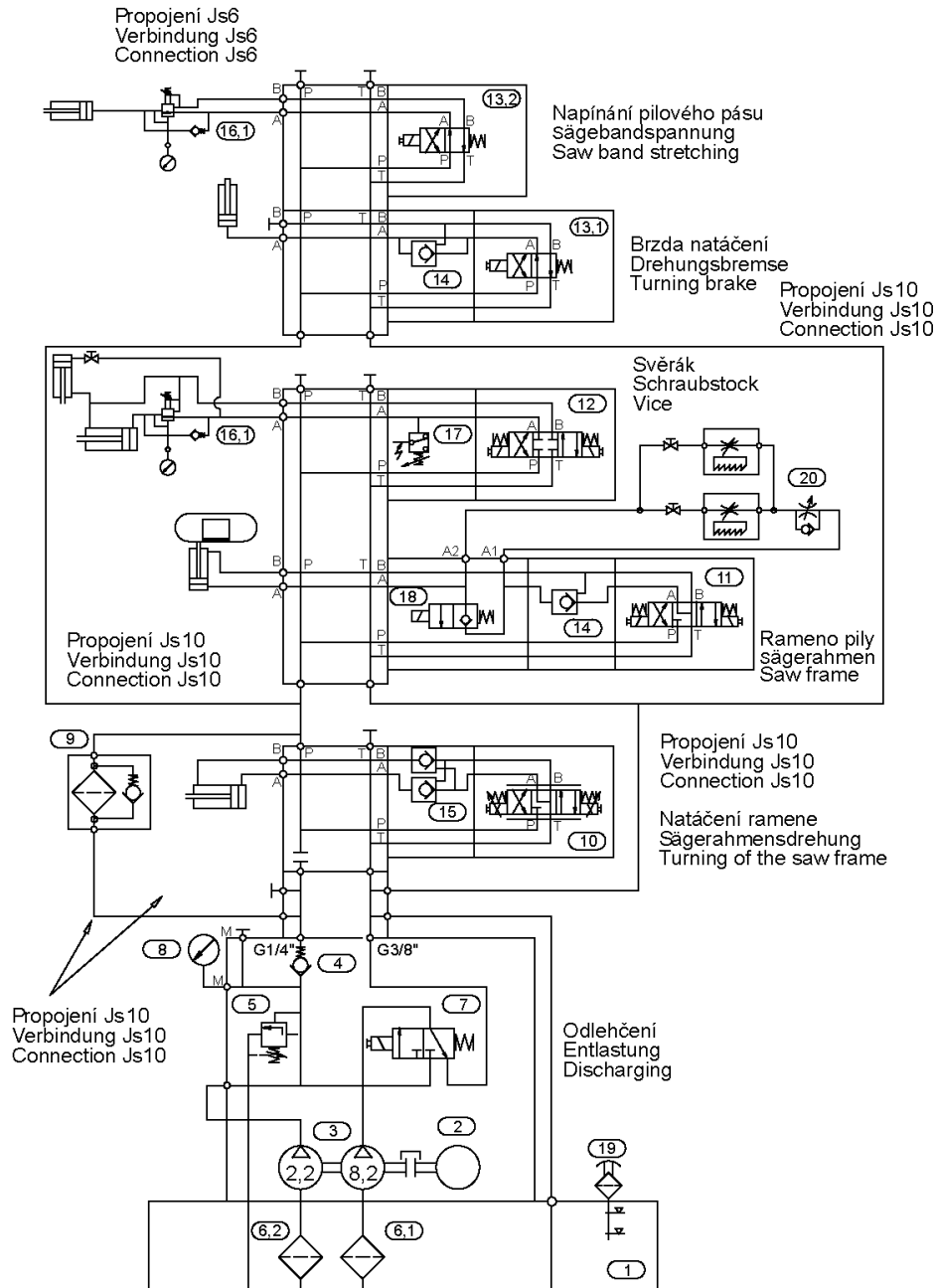
## 19. Kusovník elektrosoučástí / Stückliste der Elektroteilen / Piece list of electroparts

ATTENTION! Only qualified person can do the servicing and repairs. For parts changing, use only parts, which are identical with the originals.

Bestell - Nr.	Bezeichnung		Menge	Sign.
Objednací číslo	Název položky		ks	Ozn.
Reference No.	Item		Pcs.	Sign.
91.041.004	Filtr / Filter / Filter	FZ72460	4	RCF
	Stykač / Schütz / Contactor	LP1K0901BD 24Vss	6	KM
91.045.003	Motorový spouštěč / Motor Starter / Motor Starter	MS116-0,4 (ABB)	1	FA3
91.045.010	Motorový spouštěč / Motor Starter / Motor Starter	MS116-10A(ABB)	1	FA
91.045.008	Motorový spouštěč / Motor Starter / Motor Starter	MS116 -4,0A (ABB)	1	FA3
91.046.002	Motorový spouštěč / Motor Starter / Motor Starter	HK1-11( ABB)	3	FA1
91.995.037	Modul / Modul / Modul	PWR-2	1	PWR
91.995.038	Modul / Modul / Modul	CPU-3/2	1	CPU
91.995.039	Modul / Modul / Modul	JDI-2/2	1	JDI
91.995.040	Modul / Modul / Modul	JDO-2	1	JDO
91.995.041	Modul / Modul / Modul	JPD4/24V	1	JPD
91.995.042	Modul / Modul / Modul	JRM7	1	JRM
91.995.044	Modul / Modul / Modul	P24OSTB2	1	POS
91.995.048	Modul / Modul / Modul	DKL-F5	1	DKL
91.995.060	Modul / Modul / Modul	CPU2-E	1	CPU
91.010.008	Rele /Relais / Relay	M25A (24V)	1	RE
91.001.012	Motor / Motor / Motor	7AA100L04	1	M
91.173.016	Koncový spínač /Endschalter / Limit switch	BNS S19-99-D-13	1	KONC
91.020.004	Čerpadlo chlazení / Kühlmittelpumpe / Coolant pump	2COP1-12	1	M1



## 20. Hydraulická schémata / Hydraulikschemata / Hydraulic diagram



Základní technické parametry :  
Technische Spezifikation:  
Technical specification:

Q	8,2 + 2,2	dm <sup>3</sup> ·min <sup>-1</sup>	ot.	1410	min <sup>-1</sup>
P <sub>max</sub>	6,0	MPa	P	1,1	kW

Hydraulické schéma: Hydraulikschemata: Hydraulic diagram:	<b>870-1229</b>	Schéma / Schema / Diagram: 8701229A-02.DWG Datum / Datum / Date: 15. 10. 2002
---	-----------------	--

## Hydraulické schéma / Hydraulikschema / Hydraulic diagram

Poz.	Název položky		ks
Pos.	Bezeichnung		Menge
Pos.	Item		Pcs.
1	Nádrž / Behälter / Tank		1
2	Elektromotor / Elektromotor / Electromotor	1LA7090-4AA	1
3	Hydrogenerátor / Hydraulikaggregat / Hydrogenerator	P2-6,2/1,6L.66313	1
4	Jednosměrný ventil / Einwegventil / One-way valve	VJO1-06/SG-1	1
5	Přepouštěcí ventil / Bypassventil / By pass valve	VPP2-04/S-6	1
6	Sací filtr / Filter / Filter	2SF 56/48-0,063	2
7	Rozváděč / Verteilungsventil / Distributor	ROX1-042D21/02400E1K2	1
8	Manometr / Manometer / Manometer	÷ 68 (0-10 Mpa)	4
9	Tlakový filtr / Druckfilter / Pressure filter	HD 049-169	1
	Vložka ve filtru / Filtereinsatz / Filter inset	V3.0510-03	
10	Proporcionální rozváděč / Wege- Proportionalventil / Proportional distributor	PRM2-043Y11/0.7-24 MIKRO	1
11	Rozváděč / Verteilungsventil / Distributor	RPE3-043Y11/02400E1K1/001	1
12	Rozváděč / Verteilungsventil / Distributor	RPE3-043Z11/2400E1K5	1
13	Rozváděč / Verteilungsventil / Distributor	RPE3-042R11/2400E1K5	2
14	Hydraulický zámek / Hydraulisches Schloß / Hydraulic lock	VJR1-04/MA	3
15	Hydraulický zámek / Hydraulisches Schloß / Hydraulic lock	VJR1-04/MC	3
16	Redukční ventil / Reduktionsventil / Control valve	VRN2-06/S-6R	3
17	Tlakový spínač / Druckschalter / Pressure switch	SUCO 0166 411 03 043	1
18	Blok rychloposuvu / Eilgangsblock / Speed shift block	729-0084	1
19	Nalévací zátka / Stopfen / Fill stopper	L1.0406-51	1
20	Škrticí ventil / Drosselventil / Throttle valve	VSO1- 04/R2,5-O	1

## Označení hydraulických hadiček / Bezeichnung der hydraulischen Schlauche / Indication of hydraulic hose:

Hydr. hadice	Hadice	Kování	Konc. A	Konc. B	Konc. C	Konc. D	Konc. E	Konc. F	Konc. G	Ks
Hydr. Schlauche	Schlauche	Schmieden	Schlauchtüle A	B	C	D	E	F	G	Menge
Hydr. Hose	hose	forging	terminal A	B	C	D	E	F	G	piece
6AA9850	42.001.001	92.051.001	92.052.001	-	-	-	-	-	-	1
6AB6800	42.001.001	92.051.001	92.052.001	92.053.001	-	-	-	-	-	1
6AB5050	42.001.001	92.051.001	92.052.001	92.053.001	-	-	-	-	-	1
6AB4600	42.001.001	92.051.001	92.052.001	92.053.001	-	-	-	-	-	1
6AA3100	42.001.001	92.051.001	92.052.001	-	-	-	-	-	-	1
6AA3000	42.001.001	92.051.001	92.052.001	-	-	-	-	-	-	1
6AA2500	42.001.001	92.051.001	92.052.001	-	-	-	-	-	-	1
6AA2050	42.001.001	92.051.001	92.052.001	-	-	-	-	-	-	1
6AA1830	42.001.001	92.051.001	92.052.001	-	-	-	-	-	-	3
6AB1420	42.001.001	92.051.001	92.052.001	92.053.001	-	-	-	-	-	1
6AB1420	42.001.001	92.051.001	92.052.001	92.053.001	-	-	-	-	-	3
6AB760	42.001.001	92.051.001	92.052.001	92.053.001	-	-	-	-	-	2
6DB620	42.001.001	92.051.001	-	92.053.001	-	92.053.004	-	-	-	1
6DA600	42.001.001	92.051.001	92.052.001	-	-	92.053.004	-	-	-	2
6AB450	42.001.001	92.051.001	92.052.001	92.053.001	-	-	-	-	-	1

6AA300	42.001.001	92.051.001	92.052.001	-	-	-	-	-	-	1
6AD240	42.001.001	92.051.001	92.052.001	-	-	92.05 3.004	-	-	-	1
6BB190	42.001.001	92.051.001	-	92.053.001	-	-	-	-	-	1
6AB1100	42.001.001	92.051.001	92.052.001	92.053.001	-	-	-	-	-	1
6AB1100	42.001.001	92.051.001	92.052.001	92.053.001	-	-	-	-	-	1
6CB240	42.001.001	92.051.001	-	92.053.001	92.05 4.001	-	-	-	-	1
6CB240	42.001.001	92.051.001	-	92.053.001	92.05 4.001	-	-	-	-	1
6AB220	42.001.001	92.051.001	92.052.001	92.053.001	-	-	-	-	-	1
10AB4100	42.003.001	92.051.003	92.052.002	92.053.002	-	-	-	-	-	1
10AA3700	42.003.001	92.051.003	92.052.002	-	-	-	-	-	-	1
10AB500	42.003.001	92.051.003	92.052.002	92.053.002	-	-	-	-	-	1
10AB500	42.003.001	92.051.003	92.052.002	92.053.002	-	-	-	-	-	1
10DA280	42.003.001	92.051.003	92.052.002	-	-	92.05 3.003	-	-	-	1
10DB240	42.003.001	92.051.003	-	92.053.002	-	92.05 3.003	-	-	-	1
10BB140	42.003.001	92.051.003	-	92.053.002	-	-	-	-	-	1
KARTACEK Bürste Brush										
10_120	42.003.001	-	-	-	-	-	-	-	-	1

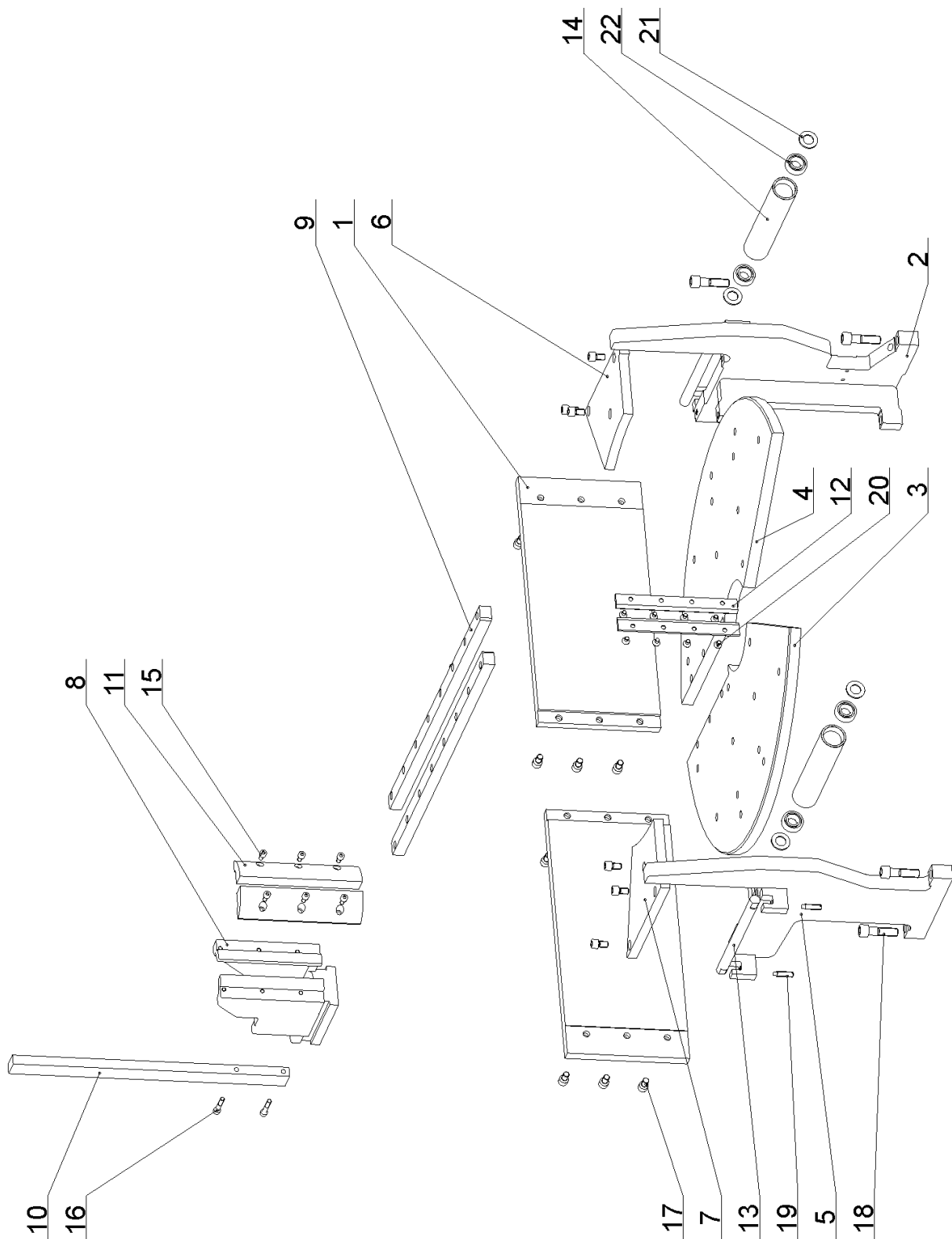


## **21. Výkresy sestav pro objednání náhradních dílů / Zeichnungen für Bestellung der Ersatzteile / Drawing assemblies for spare parts order**

Při objednávání náhradních dílů vždy uvádějte: typ stroje (např. STG 120), výrobní číslo (např. 125) a rok výroby (např. 1999).

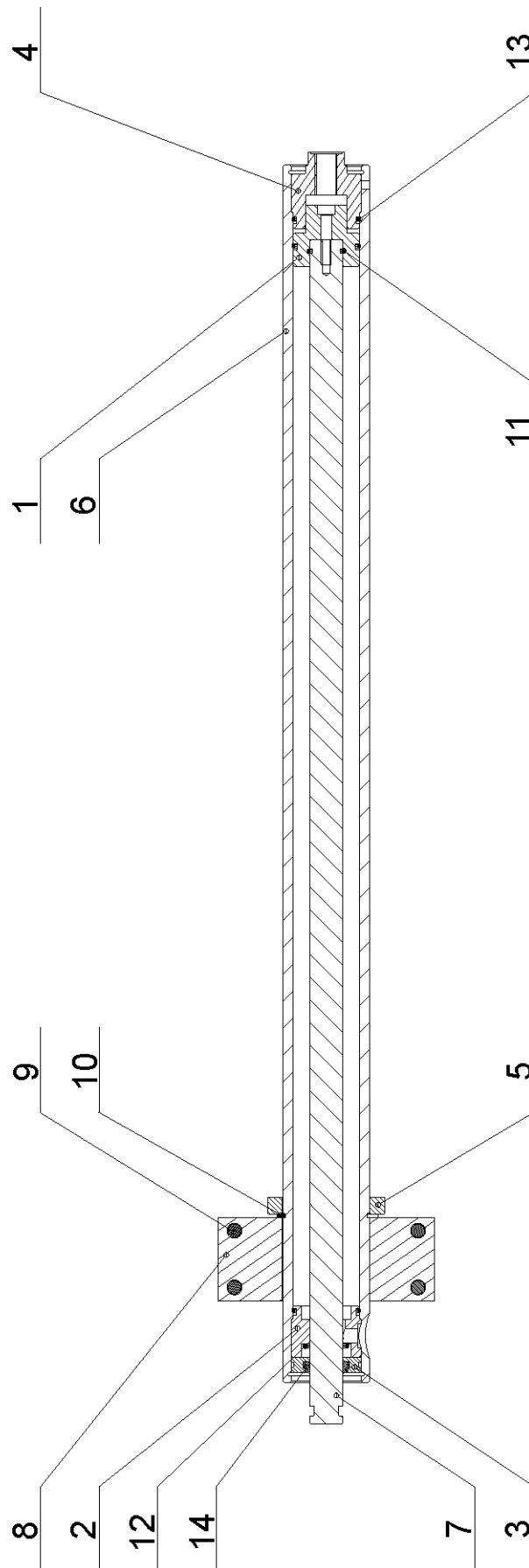
In die Bestellung der Ersatzteile führen Sie immer an:  
Maschinentyp (z. B. STG 120), Serien Nr. (z. B. 125) und  
Baujahr (z. B. 1999).

For spare parts order, you must always to allege: type of  
machine (for example STG 120), serial number (for example 125)  
and year of construction (for example 1999).



**21.1. Svěrák / Schraubstock / Vice**

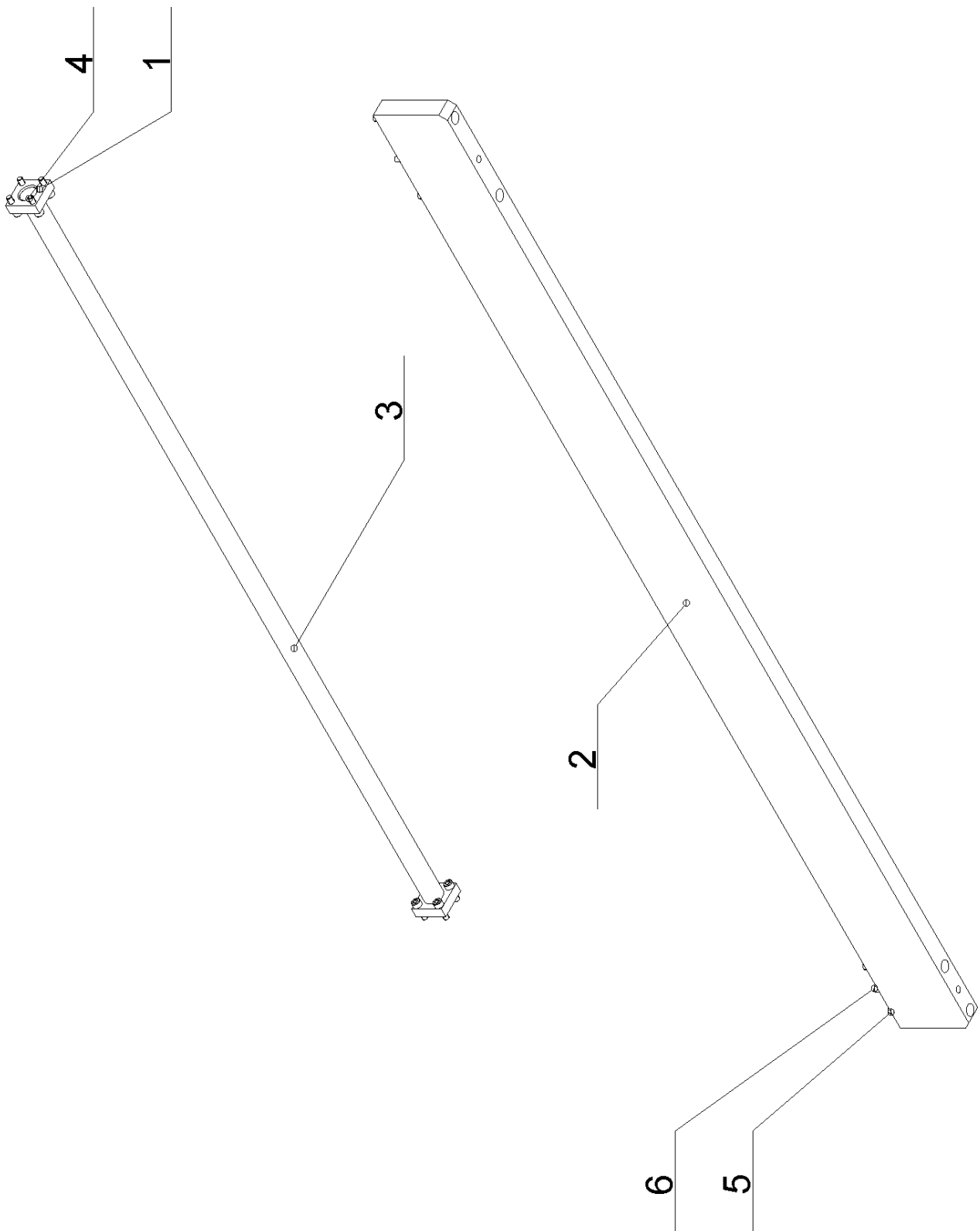
Poz.	Objednáací číslo	Název položky	ks
Pos.	Bestell - Nr.	Bezeichnung	Menge
Pos.	Reference No.	Item	Pcs.
1	30.7103-001	Pevná čelist / Feste Backe / Fixed jaw	2
2	30.7103-002	Držák / Halterung / Holder	1
3	30.7103-003	Deska / Platte / Plate	1
4	30.7103-004	Deska / Platte / Plate	1
5	30.7103-005	Držák / Halterung / Holder	1
6	30.7103-006	Deska / Platte / Plate	1
7	30.7103-007	Deska / Platte / Plate	1
8	30.7103-008	Pohyblivá čelist / Bewegliche Backe / Movable jaw	1
9	30.7103-009	Lišta svěráku / Leiste / Vice listel	2
10	30.7103-013	Lišta / Leiste / Listel	1
11	30.7103-014	Čelist / Backe / Jaw	2
12	30.7103-015	Lišta čelisti / Leiste / Jaw listel	2
13	30.7103-016	Osa / Achse / Axis	2
14	30.7103-017	Válec pomocný / Hilfszylinder / Additional cylinder	2
15	90.001.25.031	Šroub / Schraube / Screw M8x16 DIN 912	6
16	90.001.25.037	Šroub / Schraube / Screw M8x45 DIN 912	2
17	90.001.25.056	Šroub / Schraube / Screw M12x20 DIN 912	18
18	90.001.25.094	Šroub / Schraube / Screw M16x60 DIN 912	5
19	90.004.2D.015	Šroub / Schraube / Screw M10x40 DIN 915	4
20	90.011.27.007	Šroub / Schraube / Screw M8x12 DIN 7991	8
21	90.150.50.011	Podložka / Scheibe / Washer Ø21 DIN 125	4
22	95.001.007	Ložisko / Lager / Bearing 6004 2RS	4



### 21.2. Válec svěráku / Schraubstockzylinder / Vice cylinder - 251.199

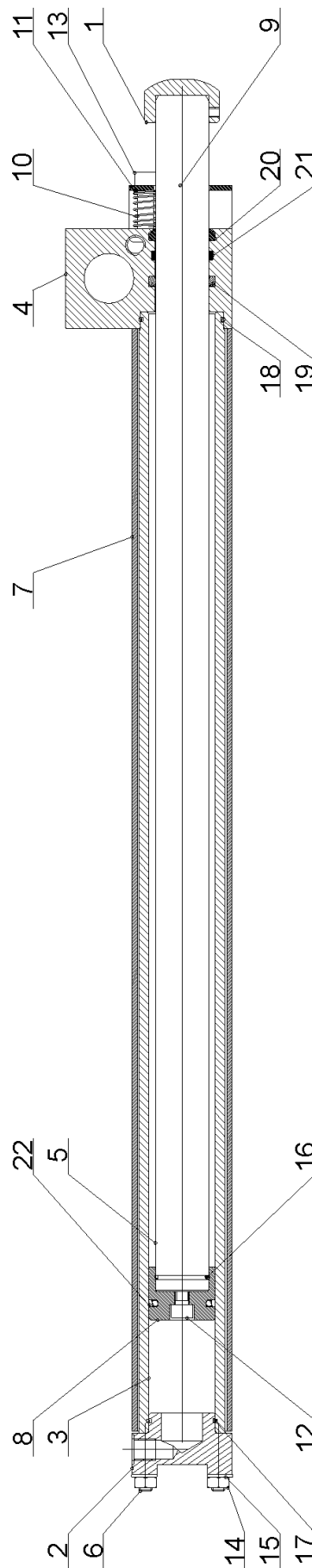


Poz.	Objednací číslo	Název položky	ks
Pos.	Bestell - Nr.	Bezeichnung	Menge
Pos.	Reference No.	Item	Pcs.
1	30.2107-001	Píst / Kolben / Piston	1
2	30.2107-002	Přívod přední / Vordere Zuleitung / Front inflow	1
3	30.2107-003	Víko / Deckel / Cover	1
4	30.2107-004	Víko zadní / Hinterer Deckel / Back cover	1
5	30.3511-009	Příložka / Lasche / Washer HR 70x10	1
6	30.7107-102	Válec svěráku / Schraubstockzylinder / Vice cylinder TR 52/40H8	1
7	30.7107-103	Pístnice / Kolbenstange / Piston rod	1
8	30.7107-110	Kostka / Würfel / Cube	1
9	90.001.25.040	Šroub / Schraube / Screw M8x60 DIN 912	4
10	95.800.019	Pojistný kroužek / Sicherungsring / Retaining ring Ø52 DIN 471	1
11	96.002.007	O kroužek / O Ring / O Ring 16x2	1
12	96.002.010	O kroužek / O Ring / O Ring 20x3	1
13	96.002.017	O kroužek / O Ring / O Ring 34x3	3
14	96.060.002	Stírací kroužek / Abstreifring / Wiping ring 20x28	1



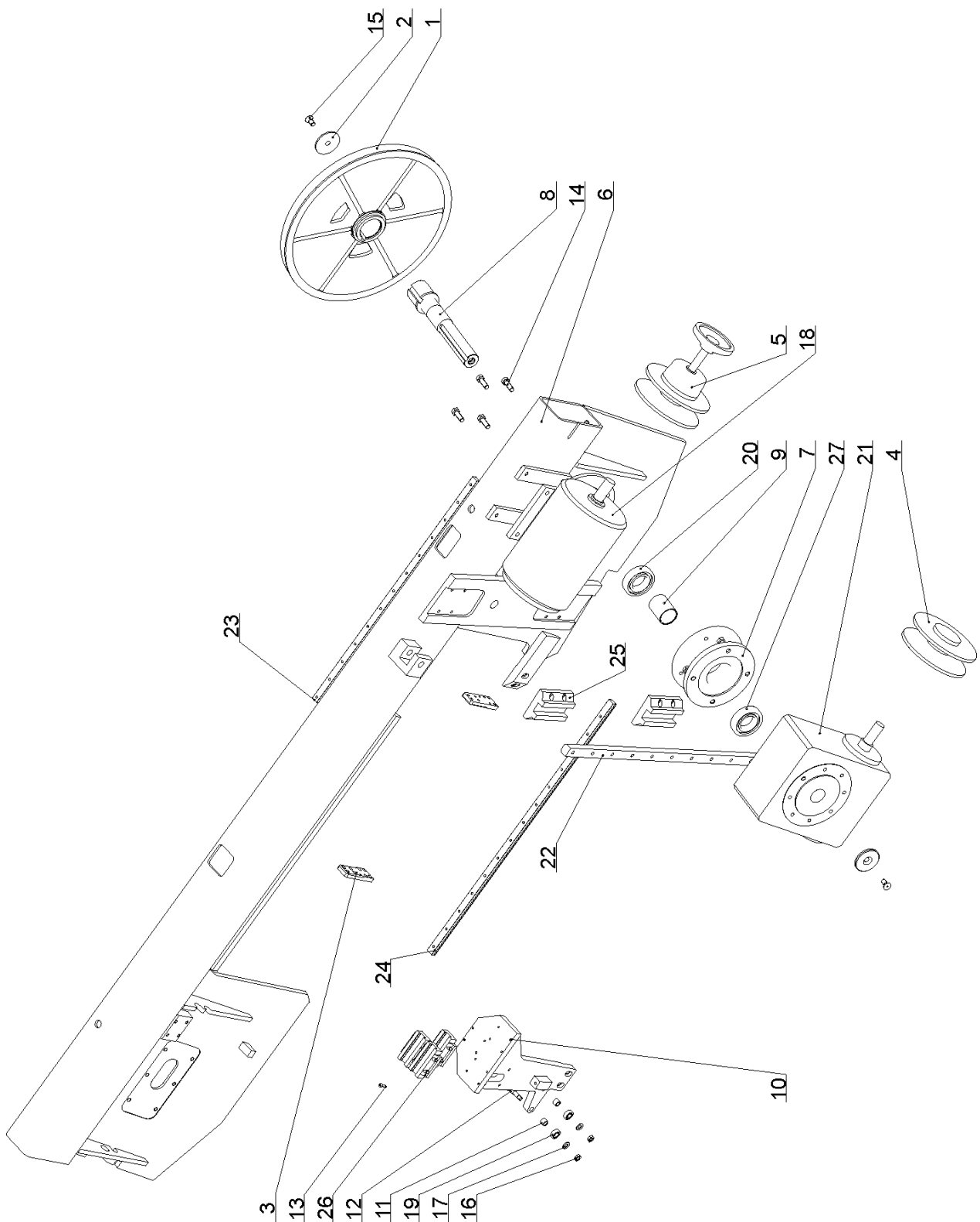
### 21.3. Horní upínání / Bündelspanneinrichtung / Top clamping

<b>Poz.</b>	<b>Objednací číslo</b>	<b>Název položky</b>	<b>ks</b>
<b>Pos.</b>	<b>Bestell - Nr.</b>	<b>Bezeichnung</b>	<b>Menge</b>
<b>Pos.</b>	<b>Reference No.</b>	<b>Item</b>	<b>Pcs.</b>
1	30.7114-001	Kostka / Würfel / Cube	2
2	30.7214-003	Lišta / Leiste / Listel	1
3	30.7214-004	Vodící tyč / Führungsstange / Guiding rod	1
4	90.001.25.033	Šroub / Schraube / Screw M8x25 DIN 912	8
5	90.001.25.055	Šroub / Schraube / Screw M10x70 DIN 912	4
6	90.302.0Z.004	Kuželový kolík+závit / Kegelbolzen+Gewinde / Taper pin+thread M8x50 DIN 7978	2



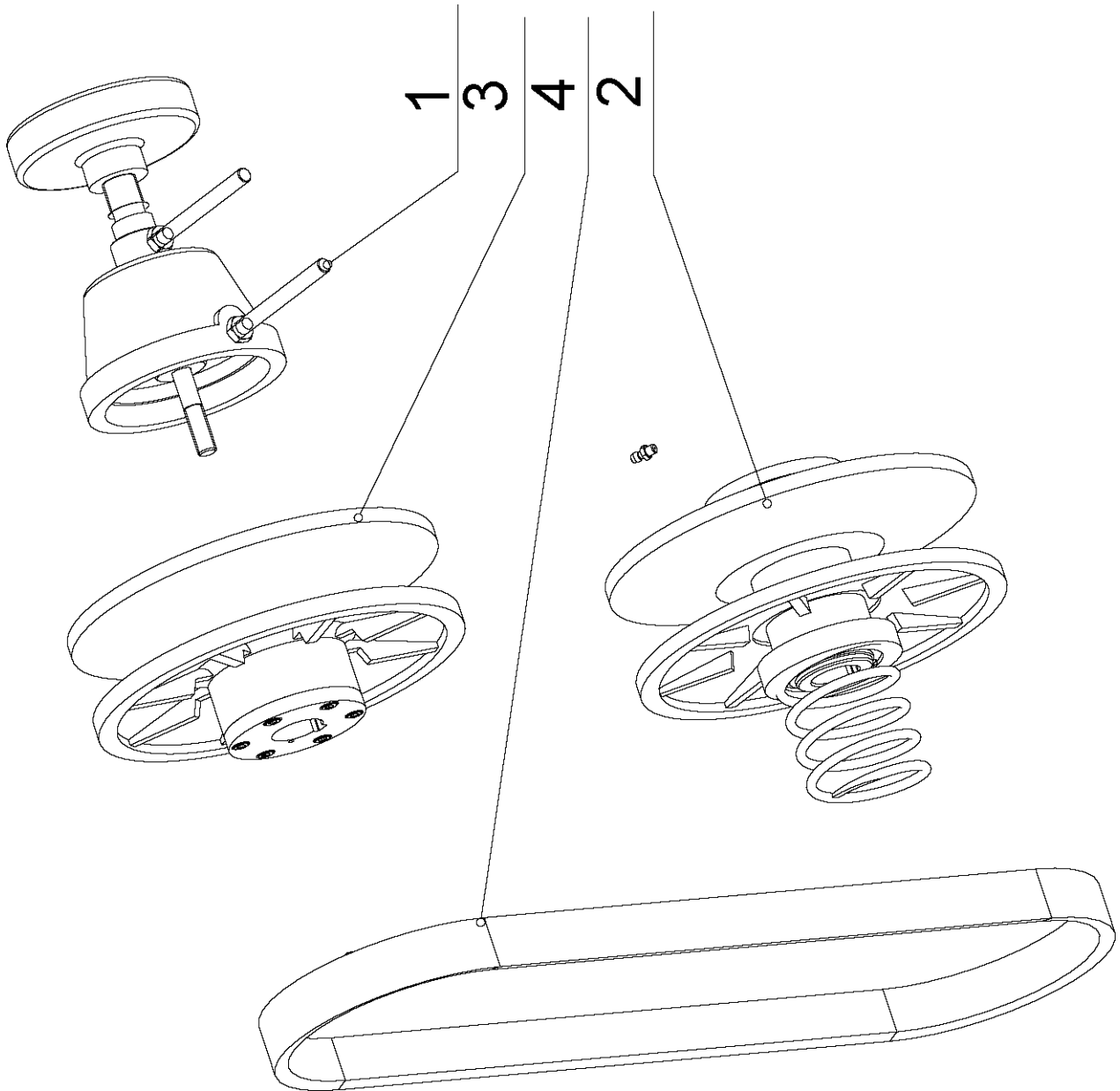
21.4. Válec horního upínání / Bündelspannzylinder / Top clamping cylinder

Poz.	Objednáací číslo	Název položky	ks
Pos.	Bestell - Nr.	Bezeichnung	Menge
Pos.	Reference No.	Item	Pcs.
1	30.7107-705	Víko / Deckel / Cover	1
2	30.7207-701	Spodní víko / Deckel / Bottom cover	1
3	30.7107-701	Válec / Zylinder / Cylinder	1
4	30.7207-703	Horní víko / Deckel / Upper cover	1
5	30.7107-702	Pístnice / Kolbenstange / Piston rod	1
6	30.7107-703	Závitová tyč / Gewindestange / Threaded pipe	4
7	30.7107-704	Kryt / Deckel / Cover	1
8	30.7207-707	Píst / Kolben / Piston	1
9	30.7207-709	Doraz / Anschlag / Length stop	1
10	30.7207-710	Distanční trubka / Distanzrohr / Distance tube	2
11	31.0107-017	Pružina / Feder / Spring 0.80x14.6x36x6.5	2
12	90.001.25.032	Šroub / Schraube / Screw M8x20 DIN 912	1
13	90.001.25.034	Šroub / Schraube / Screw M8x30 DIN 912	2
14	90.100.55.005	Maticice / Mutter / Nut M8 DIN 934	4
15	90.150.50.005	Podložka / Scheibe / Washer Ø8.4 DIN 125	4
16	96.001.008	O kroužek / O Ring / O Ring 26x2	1
17	96.001.010	O kroužek / O Ring / O Ring 36x2	1
18	96.001.013	O kroužek / O Ring / O Ring 45x2	1
19	96.042.007	Manžeta / Manschette / Sleeve 32x40x7x6	1
20	96.060.009	Stírací kroužek / Abstreifring / Wiping ring 32x40x5	1
21	96.084.003	Vodící kroužek / Führungsring / Guiding ring	1
22	96.900.002	Těsnění / Dichtung / Sealing 40x29x4	1



### 21.5. Rameno a pohon / Sägerahmen und Antrieb / Saw arm and drive

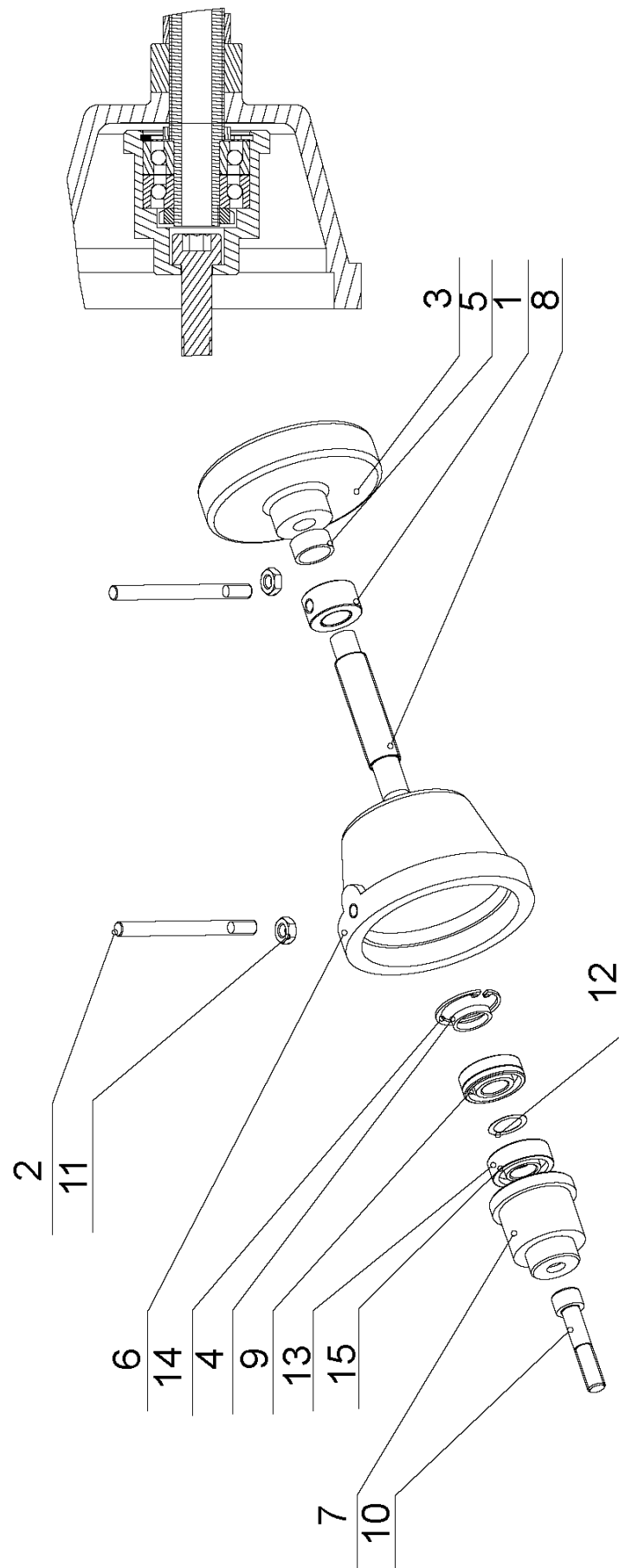
Poz.	Objednací číslo	Název položky	ks
Pos.	Bestell - Nr.	Bezeichnung	Menge
Pos.	Reference No.	Item	Pcs.
1	30.1804-002	Hnací kolo / Antriebsrad / Driving wheel	1
2	30.1804-010	Podložka kola / Scheibe / Wheel washer	2
3	30.2016-006	Deska / Platte / Plate	2
4	30.3005-015	Variátor s pružinou / Variator mit Feder / Variator with spring	1
5	30.3005-016	Variátor / Variator / Variator	1
6	30.7104-001	Rameno / Rahmen / Arm	1
7	30.7104-002	Příruba / Flansche / Flange	1
8	30.7104-003	Hřídel / Welle / Shaft	1
9	30.7104-004	Distanční trubka / Distanzrohr / Distance tube	1
10	30.7110-001	Držák kostky / Halterung / Cube holder	1
11	30.7110-005	Distanční trubka / Distanzrohr / Distance tube	2
12	30.7110-011	Excentr / Exzenter / Eccentric	2
13	90.001.25.XXX	Šroub / Schraube / Screw M5x18 DIN 912	1
14	90.005.55.033	Šroub / Schraube / Screw M12x35 DIN 933	8
15	90.011.27.025	Šroub / Schraube / Screw M12x25 DIN 7991	2
16	90.101.55.002	Matice / Mutter / Nut M10 DIN 439	2
17	90.150.50.006	Podložka / Scheibe / Washer Ø10,5 DIN 125	2
18	91.001.012	Elektromotor / Elektromotor / Electromotor 7AA 100L 04	1
19	95.001.004	Ložisko / Lager / Bearing 6000 2RS	2
20	95.001.022	Ložisko / Lager / Bearing 6209 2RS	1
21	99.002.001	Šneková převodovka / Schneckengetriebe / Worm gearbox W110U i-40	1
22	99.200.006	Lineární vedení / Linearführung / Linear leading	1
23	99.200.012	Lineární vedení / Linearführung / Linear leading LGR 20R L=750	1
24	99.200.013	Lineární vedení / Linearführung / Linear leading LGR 20R L=850	1
25	99.201.004	Vozík lineárního vedení / Wagen / Carriage	2
26	99.201.005	Vozík lineárního vedení / Wagen / Carriage	3
27		Ložisko / Lager / Bearing	1



## 21.6. Variátor / Variator / Variator

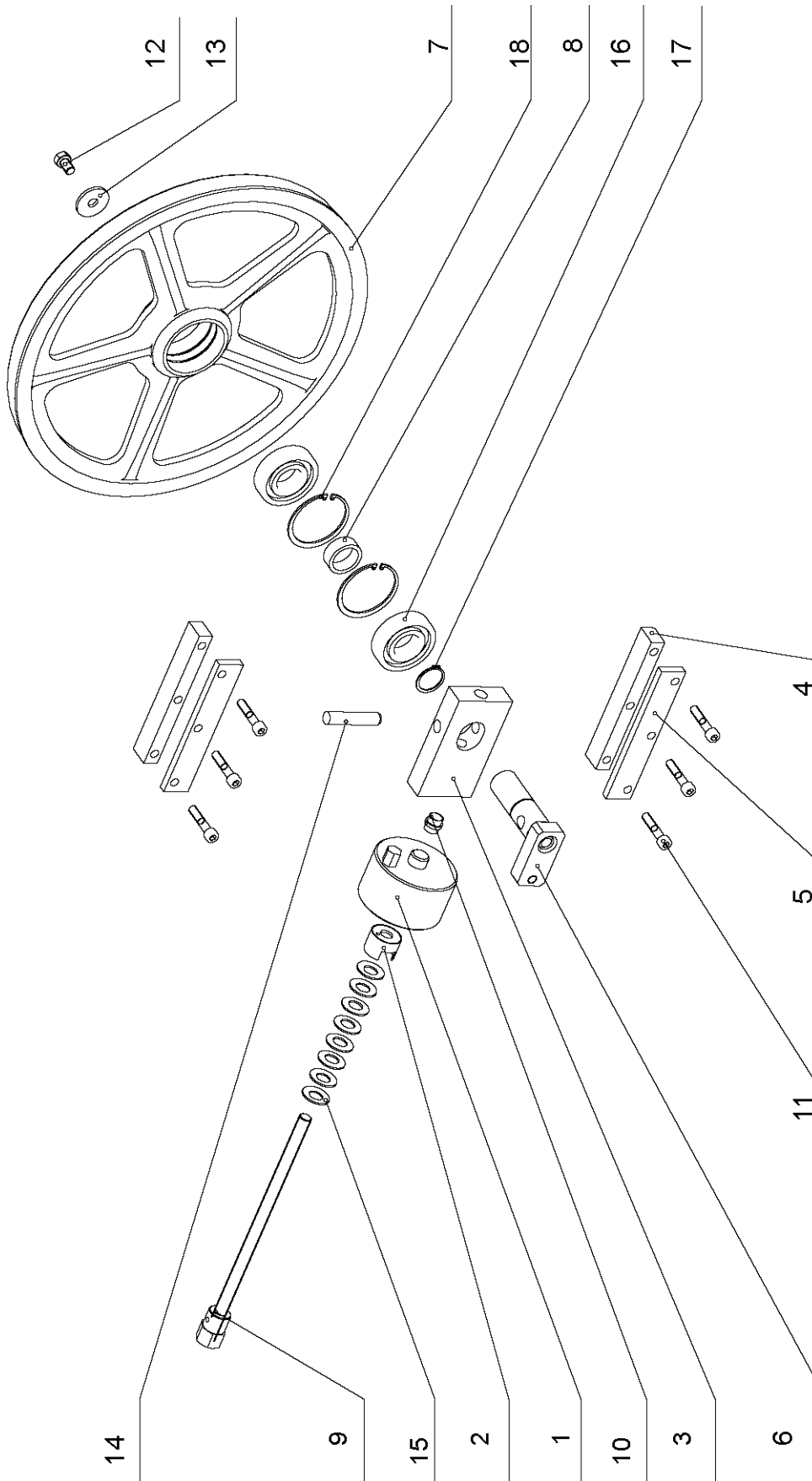


<b>Poz.</b>	<b>Objednací číslo</b>	<b>Název položky</b>	<b>ks</b>
<b>Pos.</b>	<b>Bestell - Nr.</b>	<b>Bezeichnung</b>	<b>Menge</b>
<b>Pos.</b>	<b>Reference No.</b>	<b>Item</b>	<b>Pcs.</b>
1	201.3005-500	Nastavovací jednotka / Verstelleinheit- Variator / Adjusting unit	1
2	30.3005-015	Kotouč variátoru-převod / Variatorscheibe- Getriebe/ Variátor-Gearing	1
3	30.3005-016	Kotouč variátoru -motor / Variatorscheibe- Motor / Variátor-Motor	1
4	99.020.008	Řemen / Riemen / Belt 28x8x11 70La	1



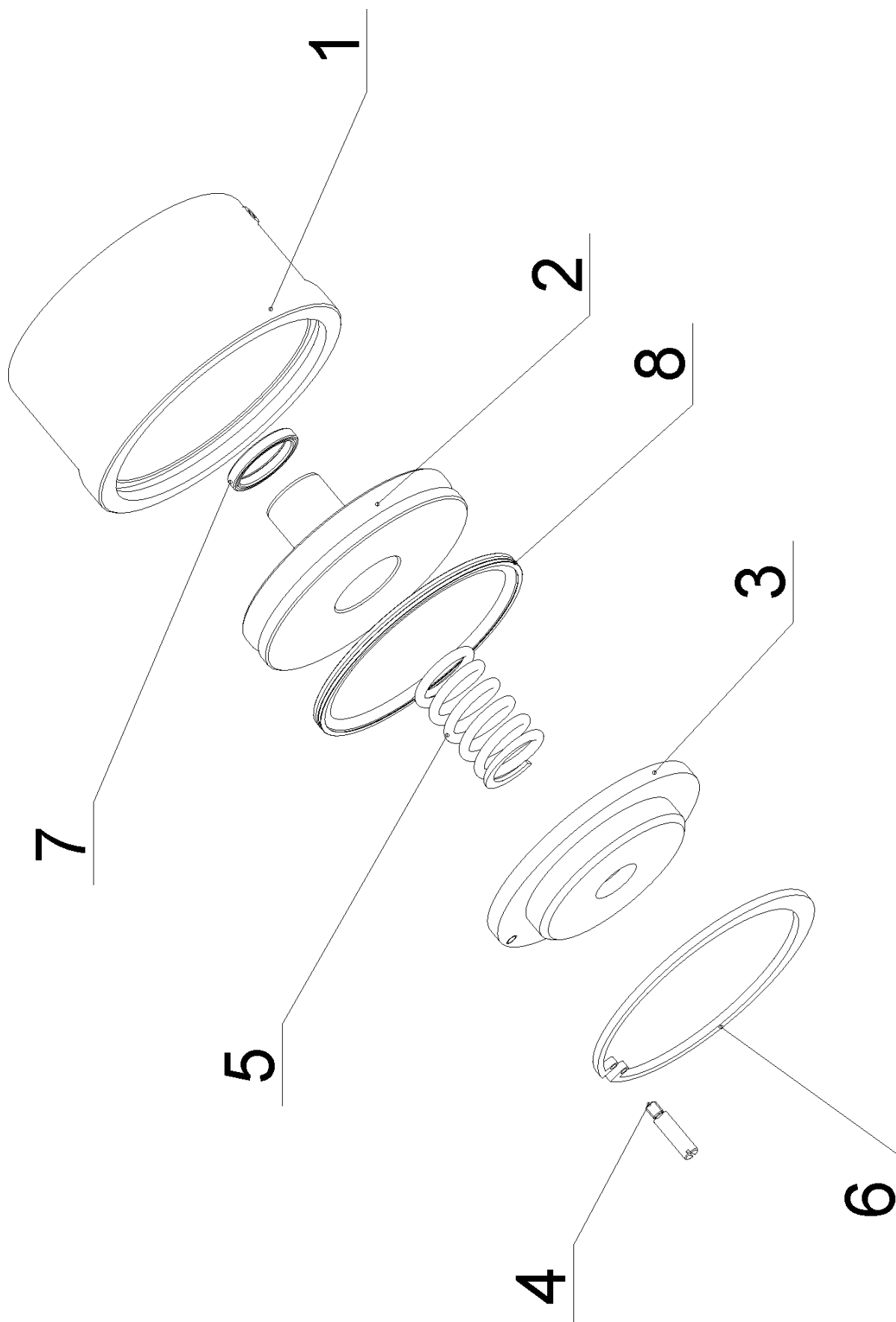
21.7. Nastavovací jednotka / Verstelleinheit-Variator / Adjusting unit

Poz.	Objednací číslo	Název položky	ks	
Pos.	Bestell - Nr.	Bezeichnung	Menge	
Pos.	Reference No.	Item	Pcs.	
1	30.0805-005.1	Matice / Mutter / Nut	1	
2	30.0805-005.2	Tyč / Stange / Bar	2	
3	30.0805-010	Kolo / Umlenkrad / Wheel	1	
4	30.3005-011	Podložka / Scheibe / Washer	1	
5	30.3005-012	Doraz / Anschlag / Length stop	1	
6	30.3005-501	Pouzdro / Büchse / Bush	1	
7	30.3005-502	Držák ložiska / Halter / Holder	1	
8	30.3005-503	Šroub / Schraube / Screw	1	
9	30.3005-504	Kryt / Deckel / Cover	1	
10	90.001.25.052	Šroub imbus / Schraube / Screw	M10x50	1
11	90.101.55.001	Matice / Mutter / Nut	M8	2
12	90.154.50.014	Podložka / Scheibe / Washer	16x22x0,2	1
13	95.001.043	Ložisko / Lager / Bearing	7202 B	2
14	95.801.004	Pojistný kroužek / Sicherungsring / Retaining ring	35	1
15	95.850.003	Matice / Mutter / Nut	KM	1



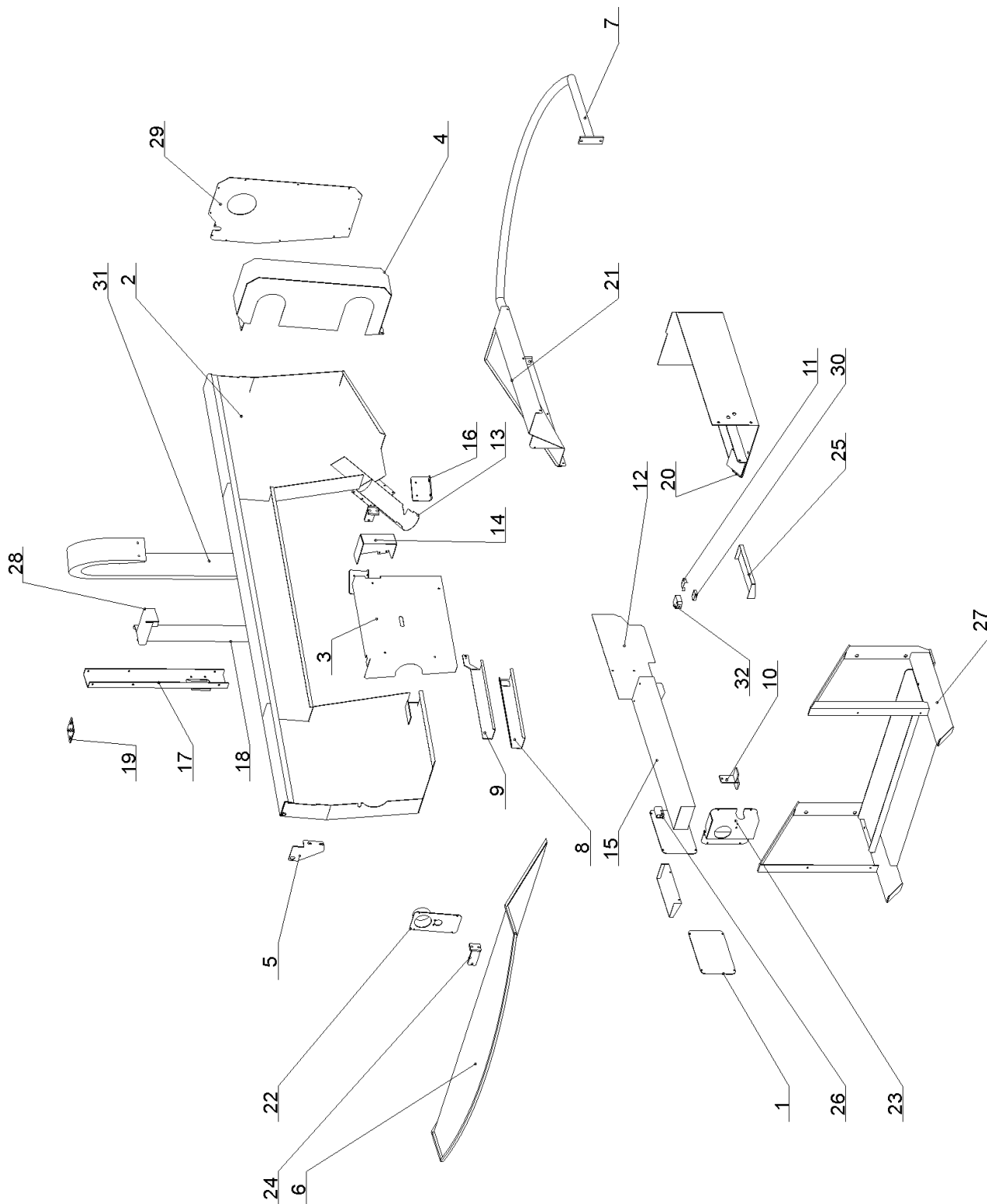
### 21.8. Napínání pilového pásu / Sägebandspannung / Saw band stretching

Poz.	Objednací číslo	Název položky	ks	
Pos.	Bestell - Nr.	Bezeichnung	Menge	
Pos.	Reference No.	Item	Pcs.	
1	201.2007-400	Válec napínání / Zylinder / Cylinder	1	
2	30.0104-004	Držák pružiny / Halterung / Holder	1	
3	30.0808-001	Kostka napínání / Würfel / Stretching cube	1	
4	30.0808-002	Vodící lišta / Führungsleiste / Guiding reglet	2	
5	30.0808-006	Lišta / Leiste / Listel	2	
6	30.4808-101	Čep napínání / Spannungsbolzen / Stretching pivot	1	
7	30.4808-102	Napínací kolo / Umlenkrad / Stretching wheel	1	
8	30.4808-103	Kroužek distanční / Distanzring / Distance ring	1	
9	30.7108-001	Šroub napínání / Spannschraube / Stretching screw	1	
10	30.2008-003	Kroužek / Ring / Ring	1	
11	90.001.25.053	Šroub / Schraube / Screw	M10x55	6
12	90.005.55.030	Šroub / Schraube / Screw	M12x20	1
13	90.151.50.002	Podložka / Scheibe / Washer	12	1
14	90.301.OZ.019	Kolík válcový / Zylinderstift / Cylindrical pin		1
15	90.350.OZ.002	Talířová pružina / Tellerfeder / Belleville spring	35.5x18.3x2.0x2.8	8
16	95.001.026	Ložisko / Lager / Bearing	6307 2RS	2
17	95.800.014	Pojistný kroužek / Sicherungsring / Retaining ring	Ø35	1
18	95.801.013	Pojistný kroužek / Sicherungsring / Retaining ring	Ø80	1



21.9. Válec napínání pilového pásu / Zylinder der Sägebandspannung / Saw band stretching cylinder - 251.067

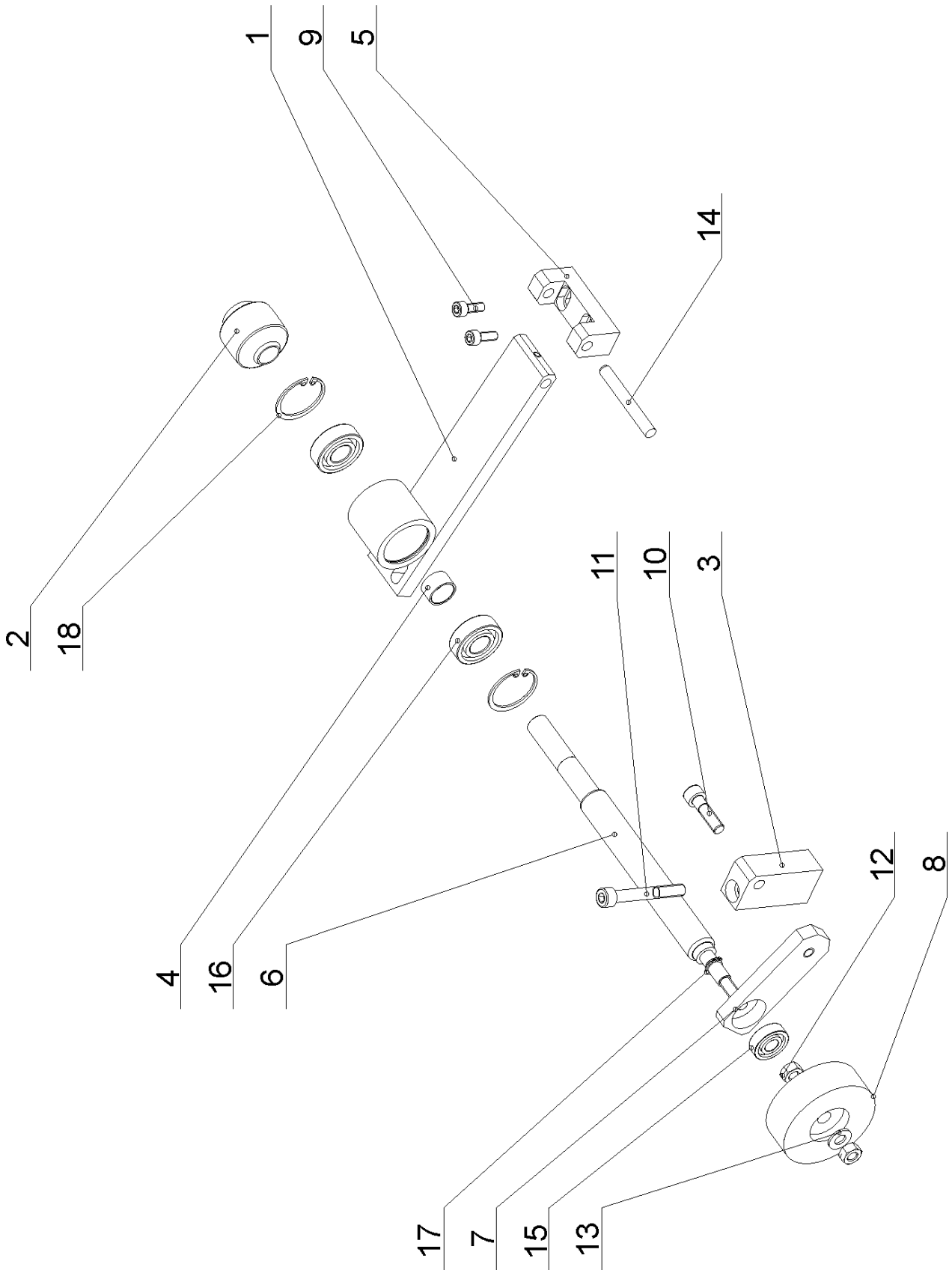
<b>Poz.</b>	<b>Objednáací číslo</b>	<b>Název položky</b>	<b>ks</b>
<b>Pos.</b>	<b>Bestell - Nr.</b>	<b>Bezeichnung</b>	<b>Menge</b>
<b>Pos.</b>	<b>Reference No.</b>	<b>Item</b>	<b>Pcs.</b>
1	30.2007-001	Pístnice / Kolbenstange / Piston rod	1
2	30.2007-402	Píst / Kolben / Piston	1
3	30.2007-403	Víko / Deckel / Cover	1
4	30.7207-405	Čep / Bolzen / Pivot	1
5	31.0304-108	Pružina / Feder / Spring 3.00x30x30x3.5	1
6	95.801.015	Pojistný kroužek / Sicherungsring / Retaining ring Ø95 DIN 472	1
7	96.002.013	O-kroužek / O Ring / O Ring 24x2,5	1
8	96.020.004	Q-kroužek / Q Ring / Q Ring 78.75x5.33	1



**21.10. Kryty / Abdeckungen / Covers**

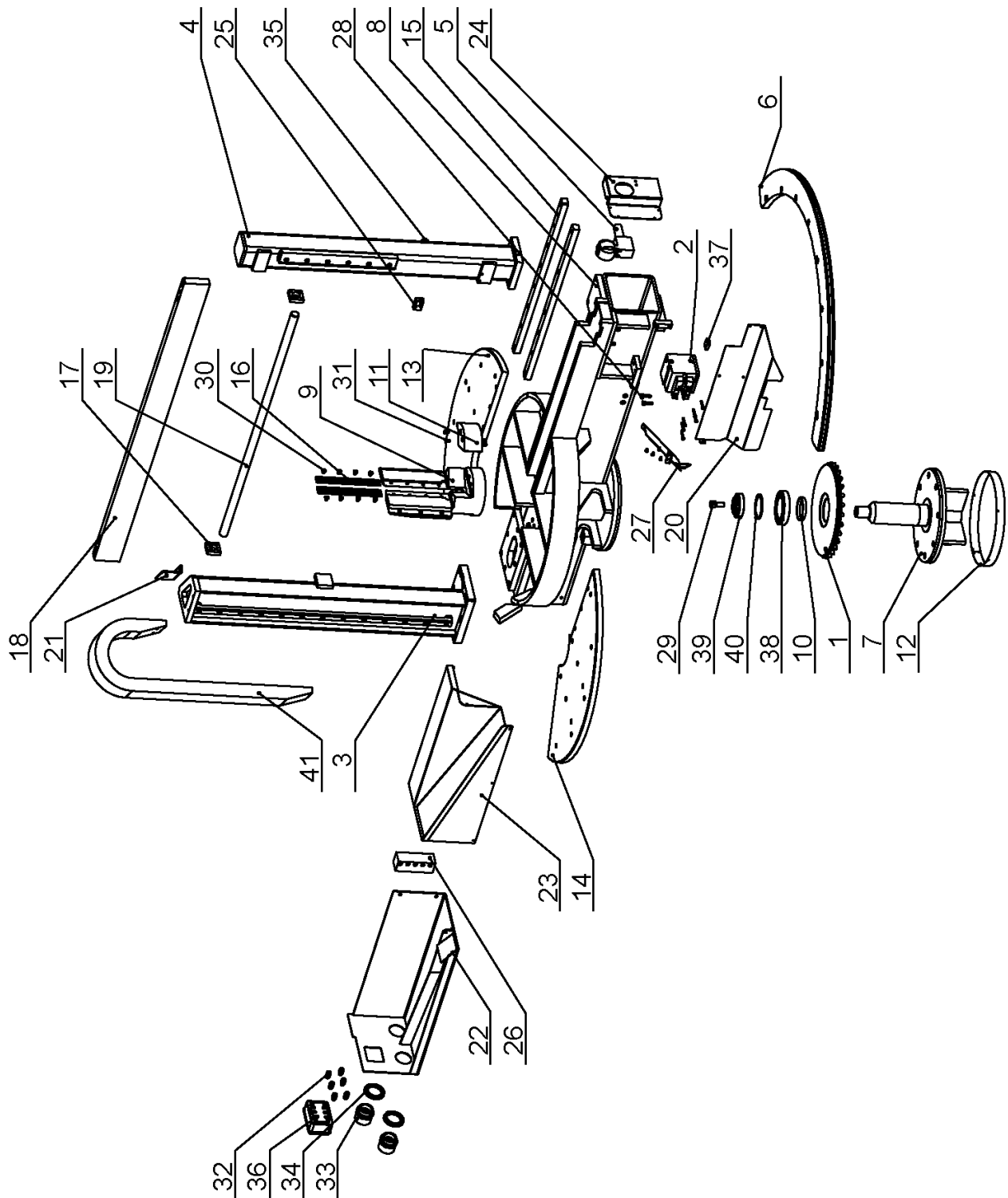


Poz.	Objednáací číslo	Název položky	ks
Pos.	Bestell - Nr.	Bezeichnung	Menge
Pos.	Reference No.	Item	Pcs.
1	30.6014-123	Kryt / Deckel / Cover	2
2	30.7114-101	Kryt ramene / Deckel / Arm cover	1
3	30.7114-102	Kryt napínání / Deckel / Stretching cover	1
4	30.7114-103	Kryt variátoru / Deckel / Variator cover	1
5	30.7114-109	Pant / Türband / Hinge	1
6	30.7114-113	Odkap / Blech / Drain	1
7	30.7114-114	Ochranný rám / Rahmen / Frame	1
8	30.7114-115	Kryt pásu / Banddeckel / Band cover	1
9	30.7114-116	Kryt pásu / Banddeckel / Band cover	1
10	30.7114-121	Držák / Halterung / Holder	1
11	30.7114-123	Stěrač / Abstreifer / Scraper	1
12	30.7114-133	Kryt / Deckel / Cover	1
13	30.7114-136	Kryt kartáčku / Deckel / Brush cover	1
14	30.7114-137	Kryt / Deckel / Cover	1
15	30.7114-138	Kryt / Deckel / Cover	1
16	30.7114-142	Držák / Halterung / Holder	2
17	30.7114-143	Držák / Halterung / Holder	1
18	30.7114-144	Kryt / Deckel / Cover	1
19	30.7114-145	Víko / Deckel / Cover	1
20	30.7114-146	Držák / Halterung / Holder	1
21	30.7114-147	Kryt / Deckel / Cover	1
22	30.7114-148	Kryt / Deckel / Cover	1
23	30.7114-156	Kryt / Deckel / Cover	1
24	30.7114-157	Kryt / Deckel / Cover	2
25	30.7114-158	Odkap / Blech / Drain	2
26	30.7114-161	Držák / Halterung / Holder	1
27	30.7214-140	Držák / Halterung / Holder	1
28	30.7214-168	Horní držák / Halterung / Upper holder	1
29	81.7114-104	Čelo / Stirn / Forehead	1
30	91.271.001	Magnetická páska / Magnetická páka / Magnetic tape SIKO	1
31	99.170.001	Řetěz energií / Řetěz energií / Cables leading	1
32		Sensor / Sensor / Sensor	1



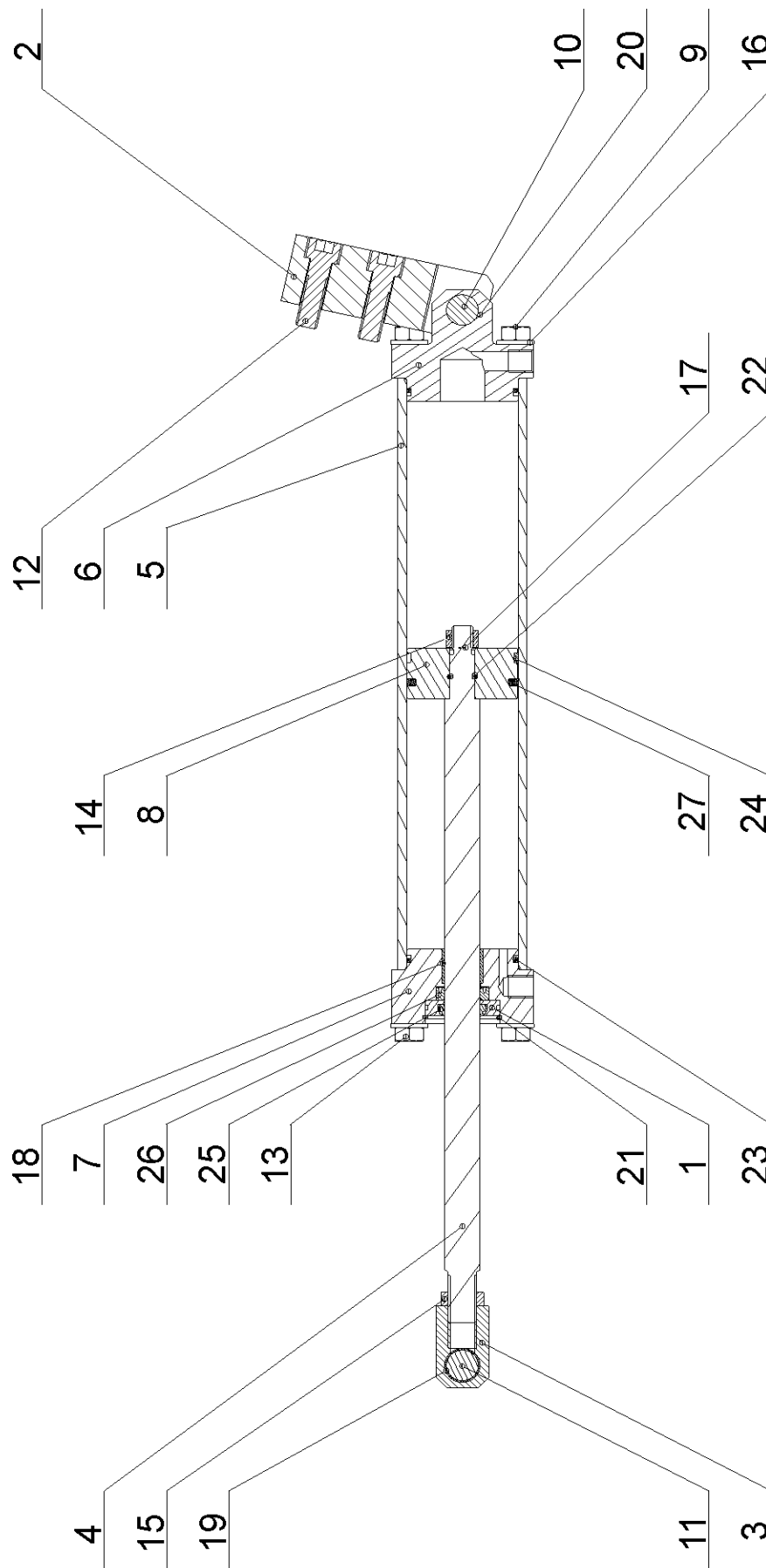
**21.11. Kartáček / Spänbürste / Brush**

Poz.	Objednáací číslo	Název položky	ks
Pos.	Bestell - Nr.	Bezeichnung	Menge
Pos.	Reference No.	Item	Pcs.
1	30.6014-401	Páka / Hebel / Lever	1
2	30.6014-404	Kolečko / Rad / Wheel	1
3	30.6014-408	Deska / Platte / Plate	1
4	30.6014-411	Distanční trubka / Distanzrohr / Distance tube	1
5	30.6014-412	Deska / Platte / Plate	1
6	30.7214-301	Flexibilní hřídel / Welle / Shaft	1
7	30.7214-302	Páka / Hebel / Lever	1
8	49.250.005	Kartáček / Bürste / Brush	1
9	90.001.25.017	Šroub / Schraube / Screw M6x16 DIN 912	2
10	90.001.25.034	Šroub / Schraube / Screw M8x30 DIN 912	1
11	90.001.25.040	Šroub / Schraube / Screw M8x60 DIN 912	1
12	90.100.55.005	Matice / Mutter / Nut M8 DIN 934	2
13	90.150.50.005	Podložka / Scheibe / Washer Ø8,4 DIN 125	2
14	90.301.0Z.012	Válcový kolík / Zylinderstift / Cylindrical pin M8x65 DIN 7	1
15	95.001.004	Ložisko / Lager / Bearing 6000 2RS	1
16	95.001.015	Ložisko / Lager / Bearing 6202 2RS	2
17	95.800.003	Pojistný kroužek / Sicherungsring / Retaining ring Ø10 DIN 471	1
18	95.801.004	Pojistný kroužek / Sicherungsring / Retaining ring Ø35 DIN 472	2



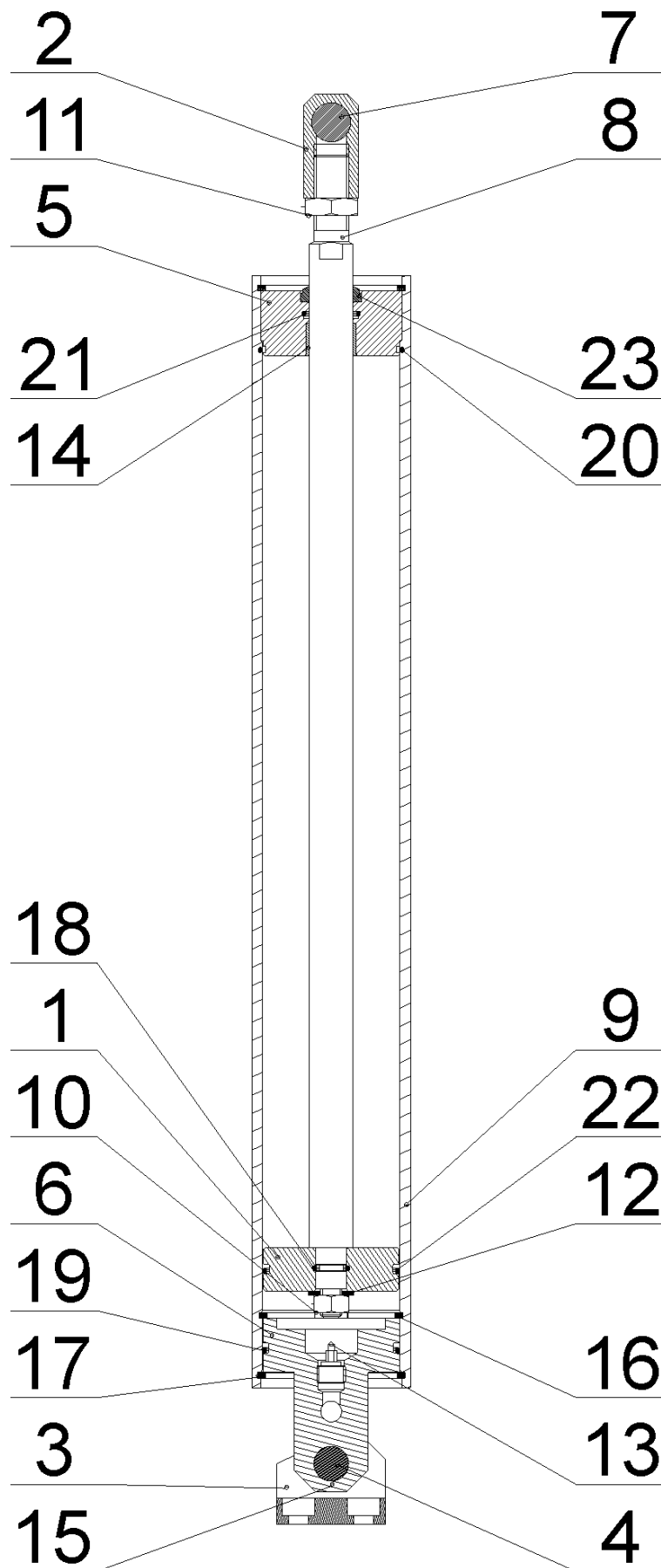
## 21.12. Otočná konzola / Drehkonsole / Turning console

Poz.	Objednáací číslo	Název položky	ks	
Pos.	Bestell - Nr.	Bezeichnung	Menge	
Pos.	Reference No.	Item	Pcs.	
1	201.7102-100	Ložisko / Lager / Bearing	1	
2	201.7102-400	Brzda / Bremse / Brake	1	
3	201.7102-500	Sloup / Säule / Pillar	1	
4	201.7102-600	Sloup / Säule / Pillar	1	
5	252.022	Regulace tlaku / Spandruckregulierung / Vice pressure regulation	1	
6	30.7101-012	Segment brzdící / Segment / Segment	1	
7	30.7102-004	Čep / Bolzen / Pivot	1	
8	30.7102-001	Konzola / Konsole / Console	1	
9	30.7102-005	Čelist středová / Backe / Jaw	1	
10	30.7102-007	Kroužek distanční / Distanzring / Distance ring	1	
11	30.7102-015	Segment / Segment / Segment	1	
12	30.7102-023	Plech / Blech / Metal plate	1	
13	30.7103-003	Deska stolu / Platte / Plate	1	
14	30.7103-004	Deska stolu / Platte / Plate	1	
15	30.7103-009	Lišta svěráku / Leiste / Listel	2	
16	30.7103-015	Lišta pakny / Backenleiste / Jaw listel	2	
17	30.7114-001	Kostka / Würfel / Cube	2	
18	30.7114-003	Lišta / Leiste / Listel	1	
19	30.7114-004	Tyč vodící / Führungsstange / Guiding bar	1	
20	30.7114-133	Kryt / Deckel / Cover	1	
21	30.7114-142	Držák / Halter / Holder	1	
22	30.7114-146	Držák / Halter / Holder	1	
23	30.7114-147	Kryt / Deckel / Cover	1	
24	30.7114-156	Kryt / Deckel / Cover	1	
25	30.7114-161	Držák / Halter / Holder	1	
26	30.7116-001	Kostka / Würfel / Cube	1	
27	30.7214-149	Kryt / Deckel / Cover	1	
28	90.001.25.034	Šroub / Schraube / Screw	M8x30 DIN 912	2
29	90.001.25.075	Šroub / Schraube / Screw	M16x35 DIN 912	1
30	90.011.27.007	Šroub / Schraube / Screw	M8x12 DIN 7991	8
31	90.011.27.012	Šroub / Schraube / Screw	M8x16 DIN 7991	2
32	91.070.010	Vývodka / Ausführung / Bushing	V-BIMED M12x1,5	6
33	91.071.006	Vývodka / Ausführung / Bushing	PG48	2
34	91.072.009	Matice / Mutter / Nut	PG48	2
35	91.173.016	Spínač koncový / Endschalter / Limit switch	BNS S19-99-D-13	1
36	91.190.008	Krabice elektro / Buchse / Box	90x60	1
37	91.270.004	Senzor magnetický / Magnet. Meßgeber / Magnetic sensor SIKO	MSK-5VDC-E1	1
38	95.001.034	Kuličkové ložisko / Kugellager / Ball bearing	6016A	1
39	95.300.003	Ložisko / Lager / Bearing	31308A	1
40	95.801.023	Pojistný kroužek / Sicherungsring / Retaining ring	d90 DIN 472	1
41	99.170.001	Řetěz energií / Energiekette / Cables leading	36x75/R-100	1



21.13. Válec natáčení / Drehungszyylinder / Turning cylinder - 251.201

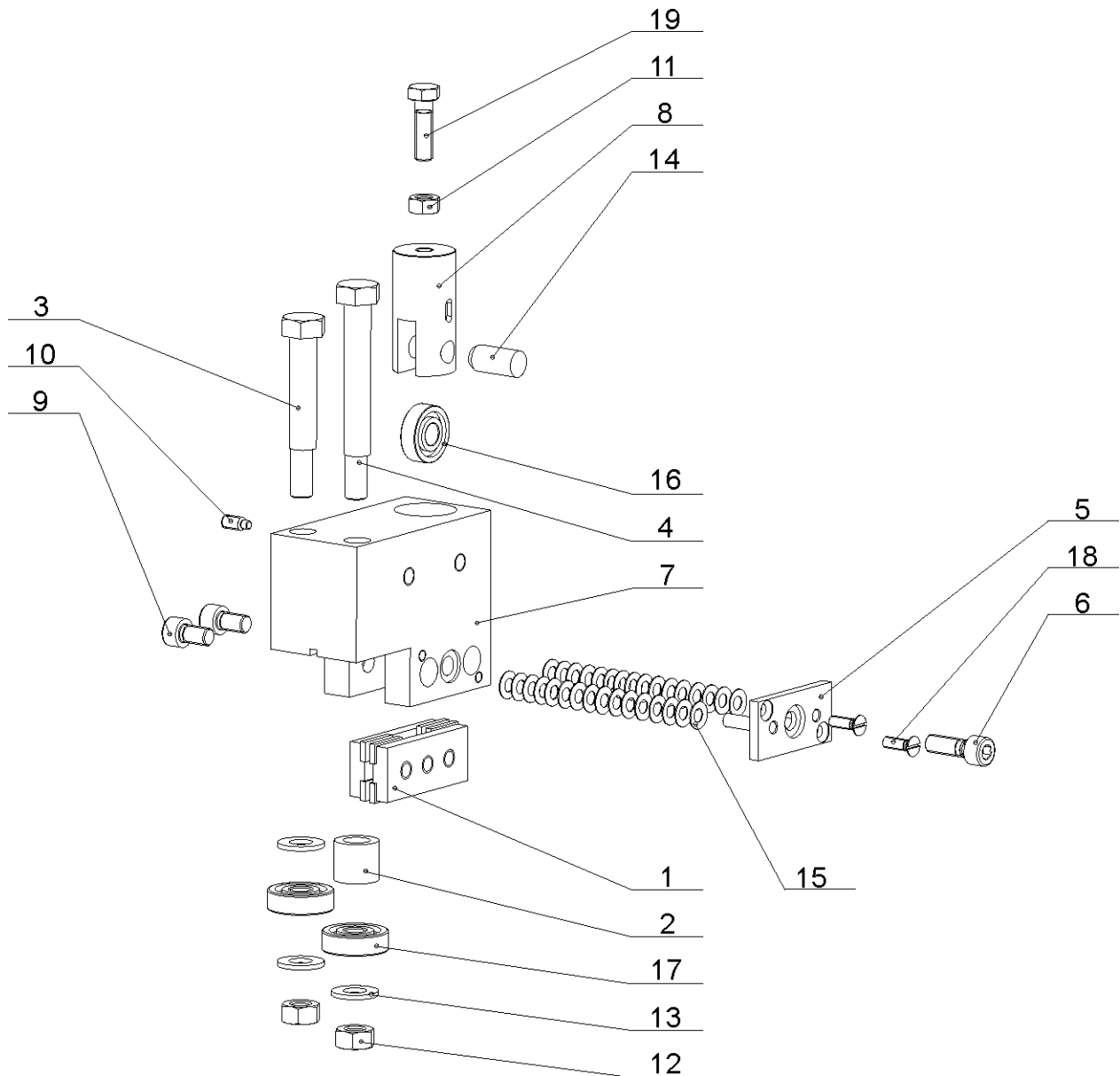
Poz.	Objednací číslo	Název položky	ks
Pos.	Bestell - Nr.	Bezeichnung	Menge
Pos.	Reference No.	Item	Pcs.
1	30.2107-003	Víko / Deckel / Cover	1
2	30.7107-206	Držák válce / Zylinderhalter / Cylinder holder	1
3	30.7107-208	Držák pístnice / Kolbenstangehalter / Piston rod holder	1
4	30.7107-601	Pístnice / Kolbenstange / Piston rod	1
5	30.7107-602	Válec natáčení / Drehungszyylinder / Turning cylinder	1
6	30.7107-605	Víko spodní / Unterer Deckel / Cover HR 80x80	1
7	30.7107-606	Víko horní / Oberer Deckel / Cover HR 80x80	1
8	30.7107-607	Píst / Kolben / Piston	1
9	30.7107-608	Závit / Gewindestange / Thread M10	4
10	30.7107-610	Čep dolní / Bolzen / Pivot	1
11	30.7107-611	Čep / Bolzen / Pivot	1
12	90.001.25.060	Šroub / Schraube / Screw M12x40 DIN 912	2
13	90.100.55.006	Matice / Mutter / Nut M10 DIN 934	8
14	90.100.55.007	Matice / Mutter / Nut M12 DIN 934	1
15	90.101.55.003	Matice / Mutter / Nut M16 DIN 439	1
16	90.150.50.006	Podložka / Scheibe / Washer Ø10,5 DIN 125	8
17	90.150.50.007	Podložka / Scheibe / Washer Ø13 DIN 125	1
18	95.700.004	Pouzdro / Buchse / bush KU 20x20	1
19	95.700.019	Pouzdro / Buchse / bush KU 18x25	1
20	95.800.008	Pojistný kroužek / Sicherungsring / Retaining ring Ø18 DIN 471	2
21	95.801.006	Pojistný kroužek / Sicherungsring / Retaining ring Ø42 DIN 472	1
22	96.001.004	O kroužek / O Ring / O Ring 10x2	1
23	96.001.015	O kroužek / O Ring / O Ring 56x3,55	2
24	96.042.009	Manžeta / Manschette / Sleeve 20x30x8x7.3	1
25	96.060.002	Stírací kroužek / Abstreifring / Wiping ring 20x28	1
26	96.084.002	Vodící kroužek / Führungsring / Guiding ring	1
27	96.900.005	Kombinované těsnění / Dichtung / Sealing D30	1



21.14. Zvedací válec / Hebezyliner / Lifting cylinder - 251.198

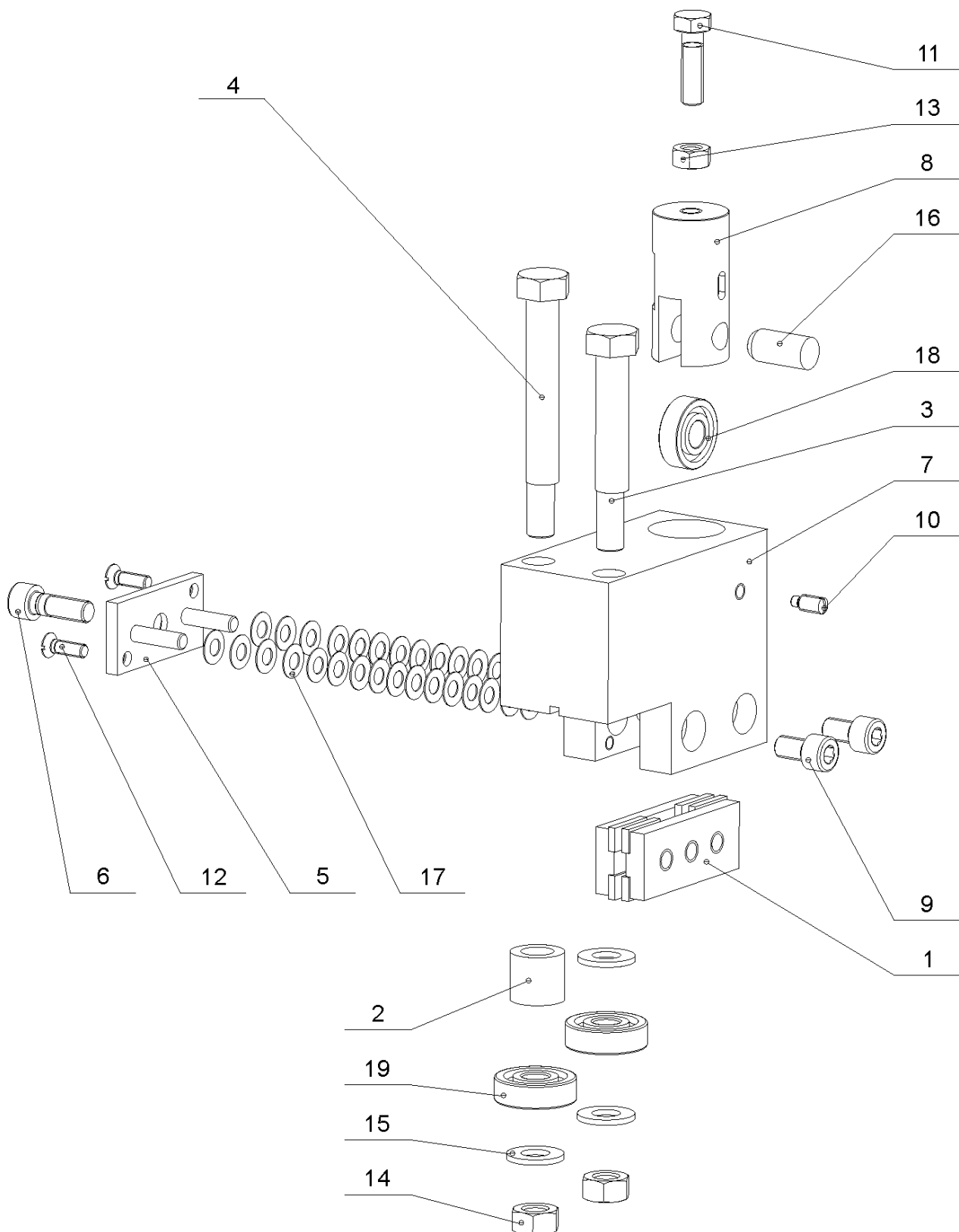


Poz.	Objednáací číslo	Název položky	ks
Pos.	Bestell - Nr.	Bezeichnung	Menge
Pos.	Reference No.	Item	Pcs.
1	30.0807-004	Píst / Kolben / Piston	1
2	30.0807-006	Držák pístnice / Kolbenstangehalter / Piston rod holder	1
3	30.0807-008	Držák spodní / Unterer Halter / Holder	1
4	30.0807-009	Čep spodní / Bolzen / Pivot	1
5	30.1807-001	Víko horní / Oberer Deckel / Cover	1
6	30.1807-004	Víko spodní / Unterer Deckel / Cover	1
7	30.2007-003	Čep horní / Bolzen / Pivot	1
8	30.7107-001	Pístnice / Kolbenstange / Piston rod	1
9	30.7107-002	Válec / Zylinder / Cylinder	1
10	90.100.55.006	Maticе / Mutter / Nut M10 DIN 934 8.8	1
11	90.101.55.003	Maticе / Mutter / Nut M16 DIN 439 8.8	1
12	90.150.50.006	Podložka / Scheibe / Washer Ø10,5 DIN 125	1
13	92.151.001	Pojistný ventil / Sicherungsventil / Retaining valve VPN-H 1/4	1
14	95.700.003	Pouzdro / Buchse / Bush KU 20x15	1
15	95.800.007	Pojistný kroužek / Sicherungsring / Retaining ring Ø16 DIN 471	2
16	95.801.011	Pojistný kroužek / Sicherungsring / Retaining ring Ø63 DIN 472	1
17	95.801.012	Pojistný kroužek / Sicherungsring / Retaining ring Ø65 DIN 472	2
18	96.001.004	O-kroužek / O Ring / O Ring 10x2	1
19	96.001.015	O-kroužek / O Ring / O Ring 56x3.55	1
20	96.001.016	O-kroužek / O Ring / O Ring 60x2	1
21	96.002.010	O-kroužek / O Ring / O Ring 20x3	1
22	96.002.020	O-kroužek / O Ring / O Ring 56x3.5	1
23	96.060.002	Stírací kroužek / Abstreifring / Wiping ring 20x28	1



**21.15. Levá vodící kostka / Linker Führungsklotz / Left guiding cube**

Poz.	Objednací číslo	Název položky	ks
Pos.	Bestell - Nr.	Bezeichnung	Menge
Pos.	Reference No.	Item	Pcs.
1	30.0810-005	Držák tvrdokovu / HM-Halterung / HM holder	2
2	30.0810-007	Trubka ložiska / Rohr / Tube	1
3	30.0810-009	Excentr / Exzenter / Excenter	1
4	30.0810-010	Excentr / Exzenter / Excenter	1
5	30.0810-103	Vodící deska / Führungsplatte / Guiding plate	1
6	30.0810-104	Šroub / Schraube / Screw M8x1x35	1
7	30.1810-201	Vodící kostka / Führungsklotz / Left guiding cube HR 80x50	1
8	30.1810-202	Držák ložiska levý / Linker Lagerhalter / Left bearing holder	1
9	90.001.25.XXX	Šroub / Schraube / Screw M8x1x14	2
10	90.004.2D.XXX	Šroub / Schraube / Screw M6x14 DIN 915	1
11	90.100.55.005	Matice / Mutter / Nut M8 DIN 934	1
12	90.100.55.006	Matice / Mutter / Nut M10 DIN 934	2
13	90.150.50.006	Podložka / Scheibe / Washer Ø10,5 DIN 125	3
14	90.301.0Z.XXX	Válcový kolík / Zylinderstift / Cylindrical pin 12x26 DIN 7	1
15	90.350.0Z.001	Talířová pružina / Tellerfeder / Belleville spring 12,5x6,2x0,5x0,85	32
16	95.001.004	Ložisko / Lager / Bearing 2RS 6000	1
17	95.001.014	Ložisko / Lager / Bearing 2RS 6200	2
18		Šroub / Schraube / Screw M5x16	2
19		Šroub / Schraube / Screw M8x28	1


**21.16. Pravá vodící kostka / Rechter Führungsklotz / Right guiding cube**

Poz.	Objednací číslo	Název položky	ks
Pos.	Bestell - Nr.	Bezeichnung	Menge
Pos.	Reference No.	Item	Pcs.
1	30.0810-005	Držák tvrdokovu / HM-Halterung / HM holder	2
2	30.0810-007	Trubka ložiska / Rohr / Tube	1
3	30.0810-009	Excentr / Exzenter / Excenter	1
4	30.0810-010	Excentr / Exzenter / Excenter	1
5	30.0810-103	Vodící deska / Führungsplatte / Guiding plate	1
6	30.0810-104	Šroub / Schraube / Screw	1
7	30.1810-101	Pravá vodící kostka / Rechter Führungsklotz / Right guiding cube	1
8	30.1810-102	Pravý držák ložiska / Rechter Lagerhalter / Right bearing holder	1
9	90.001.25.030	Šroub / Schraube / Screw M8x14 DIN 912 8.8	2
10	90.004.2D.0XX	Šroub / Schraube / Screw M6x14 DIN 915 45H	1
11	90.005.55.028	Šroub / Schraube / Screw M10x50 DIN 933 8.8	1
12	90.011.27.005	Šroub / Schraube / Screw M6x12 DIN 7991 10.9	2
13	90.100.55.005	Matice / Mutter / Nut M8 DIN 934 8.8	1
14	90.100.55.006	Matice / Mutter / Nut M10 DIN 934 8.8	2
15	90.150.50.006	Podložka / Scheibe / Washer Ø10,5 DIN 125	3
16	90.301.0Z.XXX	Válcový kolík / Zylinderstift / Cylindrical pin 12x26 DIN 7	1
17	90.350.0Z.001	Talířová pružina / Tellerfeder / Belleville spring 12.5x6.2x0.5	32
18	95.001.004	Ložisko / Lager / Bearing 6000 2RS	1
19	95.001.014	Ložisko / Lager / Bearing 6200 2RS	2