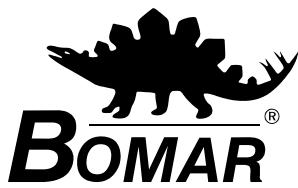




Certified by  



Individual 620.460 DGH

Operating Instructions for Band Saw

Before transporting and using the machine, please read the instructions thoroughly!



Serial number:

Service and information

Your BOMAR dealer :

Direct BOMAR contact:

BOMAR spol. s r.o.
Těžební 1236/1
62700 Brno
Czech Republic

phone: +420 – 533 426 100
fax: +420 – 533 426 109
e-mail: info@bomar.cz
www: <http://www.bomar.cz>

We are available:

Mondays to Fridays

from 7⁰⁰ to 16⁰⁰

Version 1.00 / April 2009

BOMAR, spol. s r.o. © – Subject to modifications and amendments

Content

| | |
|--|-----------|
| 1. SAFETY NOTES | 9 |
| 1.1. Band saw using..... | 11 |
| 1.2. Protective suit and personal safety | 11 |
| 1.3. Safety notes for machine operator | 12 |
| 1.4. Safety notes for the servicing and repairs | 13 |
| 1.5. Safety machine accessories | 13 |
| 1.5.1. TOTAL STOP button..... | 13 |
| 1.5.2. Saw arm covers..... | 14 |
| 1.5.3. Saw band stretching and rupture inspection..... | 14 |
| 1.5.4. Saw band cover..... | 15 |
| 1.6. Safety notes for cooling system..... | 15 |
| 1.6.1. Instructions for first help..... | 15 |
| 1.7. Umístění bezpečnostních značek / Verteilung der Sicherheitszeichen / Position of safety symbols..... | 16 |
| 1.8. Umístění štítku stroje / Maschinenschild position / Position of machine label | 18 |
| 2. MACHINE DOCUMENTATION | 19 |
| 2.1. Technical data | 21 |
| 2.2. Level of acoustic pressure..... | 21 |
| 2.3. Rozměrové schéma / Aufstellzeichnung / Installation diagram | 22 |
| 2.4. Popis / Beschreibung / Description – individual 620.460 DGH | 23 |
| 2.5. Transportation and stocking | 24 |
| 2.5.1. Conditions for transportation and stocking..... | 24 |
| 2.5.2. Transport and stocking preparations..... | 24 |
| 2.5.3. Transport and stocking..... | 24 |
| 2.6. Manipulation with saw | 25 |
| 2.7. Activation | 26 |
| 2.7.1. Machine working conditions..... | 26 |
| 2.7.2. Band saw unpacking and assembling | 26 |
| 2.7.3. Machine installing and levelling | 26 |
| 2.8. Machine disposal after lifetime | 26 |
| 2.9. Kotevní plan / Verankerungsplan / Grounding plan..... | 27 |
| 2.10. Electrical connection..... | 28 |
| 2.10.1. Check the direction of the saw band!..... | 29 |
| 2.11. Check machine functions..... | 29 |
| 2.12. Saw band..... | 29 |
| 2.12.1. Saw band size..... | 29 |
| 2.12.2. Selection of the saw band tooth system:..... | 30 |
| 2.12.3. Saw band running-in | 30 |
| 2.12.4. Tables for teeth selection:..... | 31 |
| 3. MACHINE CONTROL | 33 |
| 3.1. Starting the band saw | 35 |
| 3.2. Control panel..... | 36 |
| 3.3. Control panel – description..... | 37 |
| 3.4. Preparative mode..... | 38 |
| 3.4.1. Entrance to menu | 38 |
| 3.4.2. Cutting parameters..... | 38 |
| 3.4.3. Interrupting the cycle selection..... | 38 |
| 3.4.4. Vice parameters (vice opening) | 38 |
| 3.4.5. Stop time of the hydraulics..... | 38 |
| 3.4.6. Language version selection..... | 38 |
| 3.5. Semi-automatic cycle | 38 |
| 3.6. Cycle breaking..... | 39 |
| 3.6.1. STOP button | 39 |
| 3.6.2. Interruption in cutting with Emergency button TOTAL STOP | 39 |

| | | |
|---|---|-----------|
| 3.6.3. | Reactivation:..... | 39 |
| 3.7. | Saw band adjusting..... | 39 |
| 3.7.1. | Angular cut setting | 39 |
| 3.7.2. | Cutting speed adjusting..... | 40 |
| 3.7.3. | Adjustment of pressure to the cut..... | 41 |
| 3.7.4. | Optimal adjusting of the guide cubes span..... | 41 |
| 3.7.5. | Speed adjustment of the arm lowering..... | 41 |
| 3.7.6. | Saw arm lower position stop adjustment..... | 41 |
| 3.7.7. | Brush adjustment..... | 42 |
| 3.8. | Material insertion | 42 |
| 3.8.1. | Handling agent selection..... | 42 |
| 3.8.2. | Insertion | 42 |
| 3.8.3. | Bundle material cutting | 43 |
| 4. MACHINE SERVICE | | 45 |
| 4.1. | Saw band installation and dismantling | 47 |
| 4.1.1. | Saw band dismantling..... | 47 |
| 4.1.2. | Saw band installation | 48 |
| 4.1.3. | Saw band stretching | 48 |
| 4.1.4. | Adjusting of the limit switch of the saw band stretching..... | 49 |
| 4.1.5. | Saw band inspection | 49 |
| 4.2. | Saw band run adjustment on stretching wheel | 50 |
| 4.2.1. | Saw band run inspection | 50 |
| 4.2.2. | Saw band setting | 50 |
| 4.3. | Cooling agents and chips disposal..... | 51 |
| 4.3.1. | Cooling liquid preparation..... | 51 |
| 4.3.2. | Coolant device inspection | 52 |
| 4.3.3. | Chips disposal..... | 52 |
| 4.3.4. | Cooling liquid inspection..... | 53 |
| 4.4. | Greases, oils and machine lubrication | 53 |
| 4.4.1. | Gearbox oils..... | 53 |
| 4.4.2. | Lubricant greases..... | 53 |
| 4.4.3. | Lubrication | 53 |
| 4.5. | Hydraulic oils and level check..... | 54 |
| 4.5.1. | Hydraulic oils..... | 54 |
| 4.5.2. | Hydraulic oil level check..... | 55 |
| 4.6. | Machine cleaning | 55 |
| 4.7. | Worn pieces replacement | 55 |
| 4.7.1. | Pushing bearing replacement..... | 55 |
| 4.7.2. | Saw band guiding pulleys replacement | 58 |
| 4.7.3. | Hard metal guides replacement | 61 |
| 4.7.4. | Round brush replacement..... | 63 |
| 5. TROUBLESHOOTING..... | | 65 |
| 5.1. | Mechanical problems..... | 67 |
| 5.2. | Electric and hydraulic problems..... | 71 |
| 6. SCHÉMATA / SCHEMAS / SCHEMATICS | | 73 |
| 6.1. | Elektrická schémata / Elektroschemas / Wiring diagrams – 3×400 V, 50 Hz, TN-C-S..... | 74 |
| 6.2. | Kusovník elektrosoučástí / Stückliste der Elektroteilen / Piece list of electroparts – individual 620.460 DGH, 3×400 V/50 Hz, TN-C-S..... | 85 |
| 6.3. | Elektrická schémata / Elektroschemas / Wiring diagrams – 3×400 V, 50 Hz, TN-C | 88 |
| 6.4. | Kusovník elektrosoučástí / Stückliste der Elektroteilen / Piece list of electroparts – individual 620.460 DGH, 3×400 V/50 Hz, TN-C..... | 99 |
| 6.5. | Elektrická schémata / Elektroschemas / Wiring diagrams – 3×230 V, 50 Hz, TN-C | 102 |
| 6.6. | Kusovník elektrosoučástí / Stückliste der Elektroteilen / Piece list of electroparts – individual 620.460 DGH, 3×230 V/50 Hz, TN-C..... | 113 |
| 6.7. | Hydraulické schéma / Hydraulikschema / Hydraulic diagram | 116 |
| 6.8. | Kusovník pro hydraulické schéma/ Stückliste / Piece list for hydraulic diagram..... | 117 |

7. VÝKRESY SESTAV PRO OBJEDNÁNÍ NÁHRADNÍCH DÍLŮ / ZEICHNUNGEN FÜR BESTELLUNG DER ERSATZTEILE / DRAWING ASSEMBLIES FOR SPARE PARTS ORDER119

| | | |
|-------|--|-----|
| 7.1. | Pila / Säge / Saw | 120 |
| 7.2. | Kusovník / Stückliste / Piece list Pila / Säge / Saw | 121 |
| 7.3. | Svěrák / Schraubstock / Vice 1 | 122 |
| 7.4. | Kusovník / Stückliste / Piece list Svěrák / Schraubstock / Vice 1 | 123 |
| 7.5. | Rameno / Arm / Arm – Svěrák / Schraubstock / Vice 2..... | 124 |
| 7.6. | Kusovník / Stückliste / Piece list Svěrák / Schraubstock / Vice 2..... | 125 |
| 7.7. | Rameno / Arm / Arm..... | 126 |
| 7.8. | Kusovník / Stückliste / Piece list Rameno / Arm / Arm..... | 127 |
| 7.9. | Rameno / Arm / Arm..... | 128 |
| 7.10. | Kusovník / Stückliste / Piece list Rameno / Arm / Arm..... | 129 |
| 7.11. | Pohon pilového pásu / Sägebandantrieb / Saw band driving..... | 130 |
| 7.12. | Kusovník / Stückliste / Piece list Pohon pilového pásu / Sägebandantrieb / Saw band driving..... | 131 |
| 7.13. | Napínání pilového pásu / Sägebandspannung / Saw band tightening | 132 |
| 7.14. | Kusovník / Stückliste / Piece list Napínání pilového pásu / Sägebandspannung / Saw band tightening..... | 133 |
| 7.15. | Vedení pilového pásu / Sägebandführung / Saw band guiding..... | 134 |
| 7.16. | Kusovník / Stückliste / Piece list Vedení pilového pásu / Sägebandführung / Saw band guiding..... | 135 |
| 7.17. | Vodící kostka / Führungsklotz / Guiding cube 1 | 136 |
| 7.18. | Kusovník / Stückliste / Piece list Vodící kostka / Führungsklotz / Guiding cube 1 | 137 |
| 7.19. | Vodící kostka / Führungsklotz / Guiding cube 2 | 138 |
| 7.20. | Kusovník / Stückliste / Piece list Vodící kostka / Führungsklotz / Guiding cube 2 | 139 |
| 7.21. | Kartáček / Spänbürste / Brush..... | 140 |
| 7.22. | Kusovník / Stückliste / Piece list Kartáček / Spänbürste / Brush..... | 141 |
| 7.23. | Podstavec / Untergestell / Pedestal | 142 |
| 7.24. | Kusovník / Stückliste / Piece list Podstavec / Untergestell / Pedestal | 143 |

6. Schémata / Schemas / Schematics

1. Safety notes

2. Machine
documentation

3. Machine
control

4. Machine
service

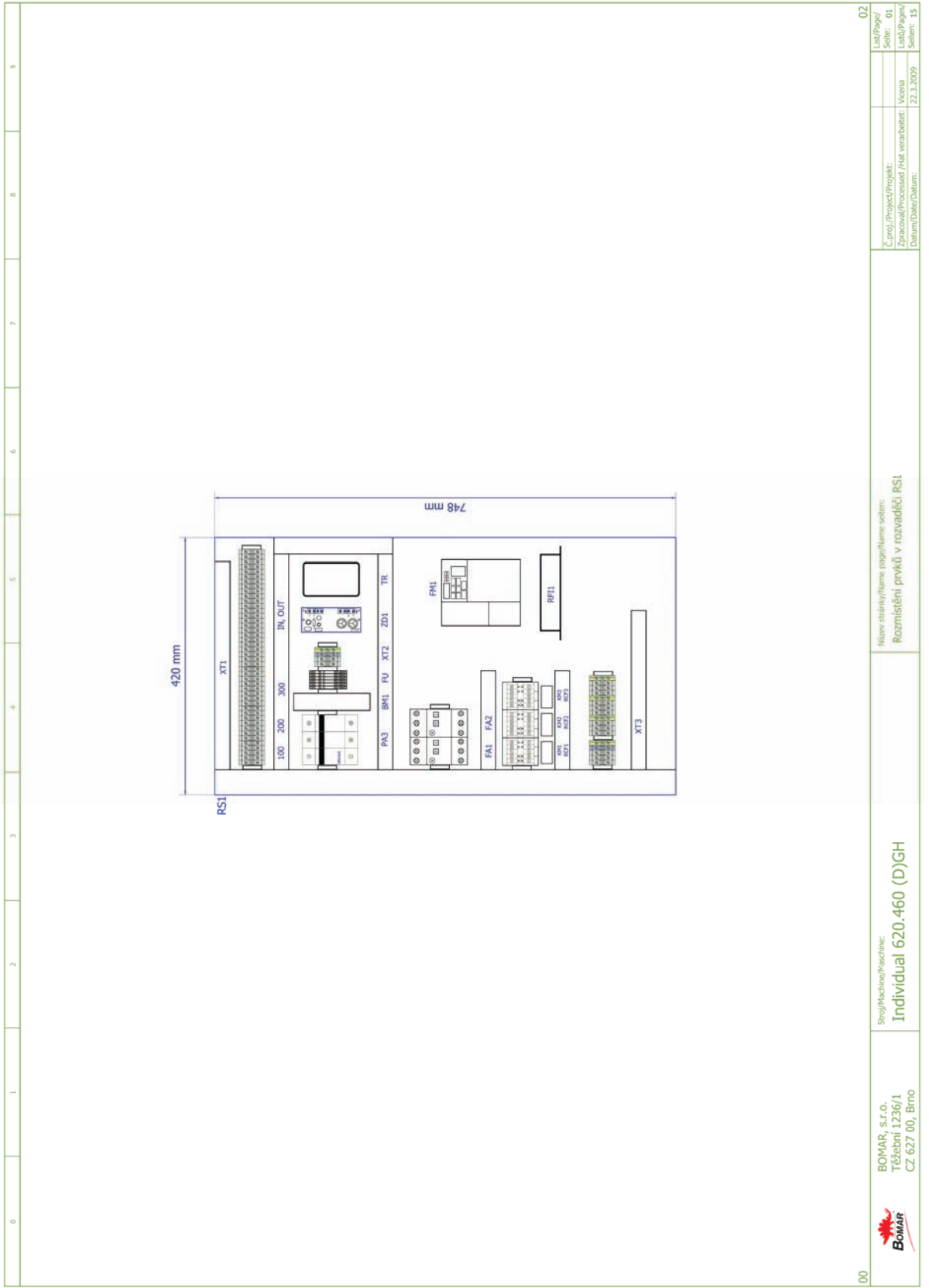
5. Troubleshooting

6. Schematics

7. Drawings
and piece lists

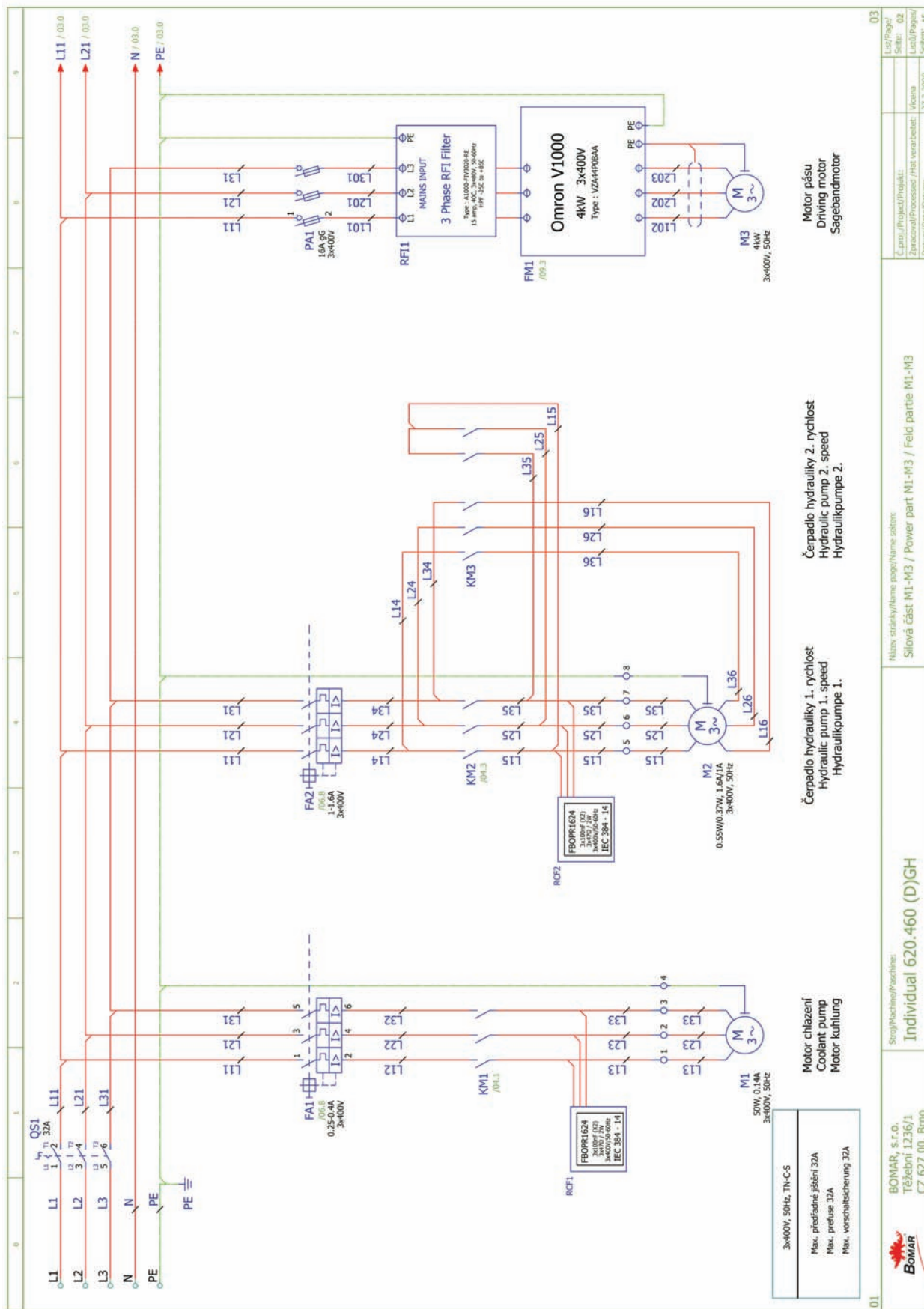
6.1. Elektrická schémata / Elektroschemas / Wiring diagrams – 3×400 V, 50 Hz, TN-C-S

- 1. Safety notes
- 2. Machine documentation
- 3. Machine control
- 4. Machine service
- 5. Troubleshooting
- 6. Schematics
- 7. Drawings and piece lists



| | | | | | | | | | | | | | | | |
|---|----|----|----|----|----|----|----|----|----|---|----|--|----|----|----|
| 00 | 01 | 02 | 03 | 04 | 05 | 06 | 07 | 08 | 09 | 10 | 11 | 12 | 13 | 14 | 15 |
| Název stránky/Name page/Name sheet: Rozmístění prvků v rozvaděči RSI | | | | | | | | | | C.proj./Projekt/Projekt: Zpracoval/Processed /Hat verarbeitete: Datum/Date/Datum: | | List/Page/ Seite: 01 List/Page/ Seite: 15 | | | |
| Směr/Machine/Maschine: Individual 620.460 (D)/GH | | | | | | | | | | Vzrosta/Von: 22.3.2009 | | | | | |
| BOMAR, s.r.o. Těšební 1236/1 CZ 627 00, Brno | | | | | | | | | | | | | | | |

Elektrické schéma / Elektroschema / Wiring diagram 1
individual 620.460 DGH, 3×400 V/50 Hz, TN-C-S



Elektrické schéma / Elektroschema / Wiring diagram 2 individual 620.460 DGH, 3x400 V/50 Hz, TN-C-S

1. Safety notes

2. Machine documentation

3. Machine control

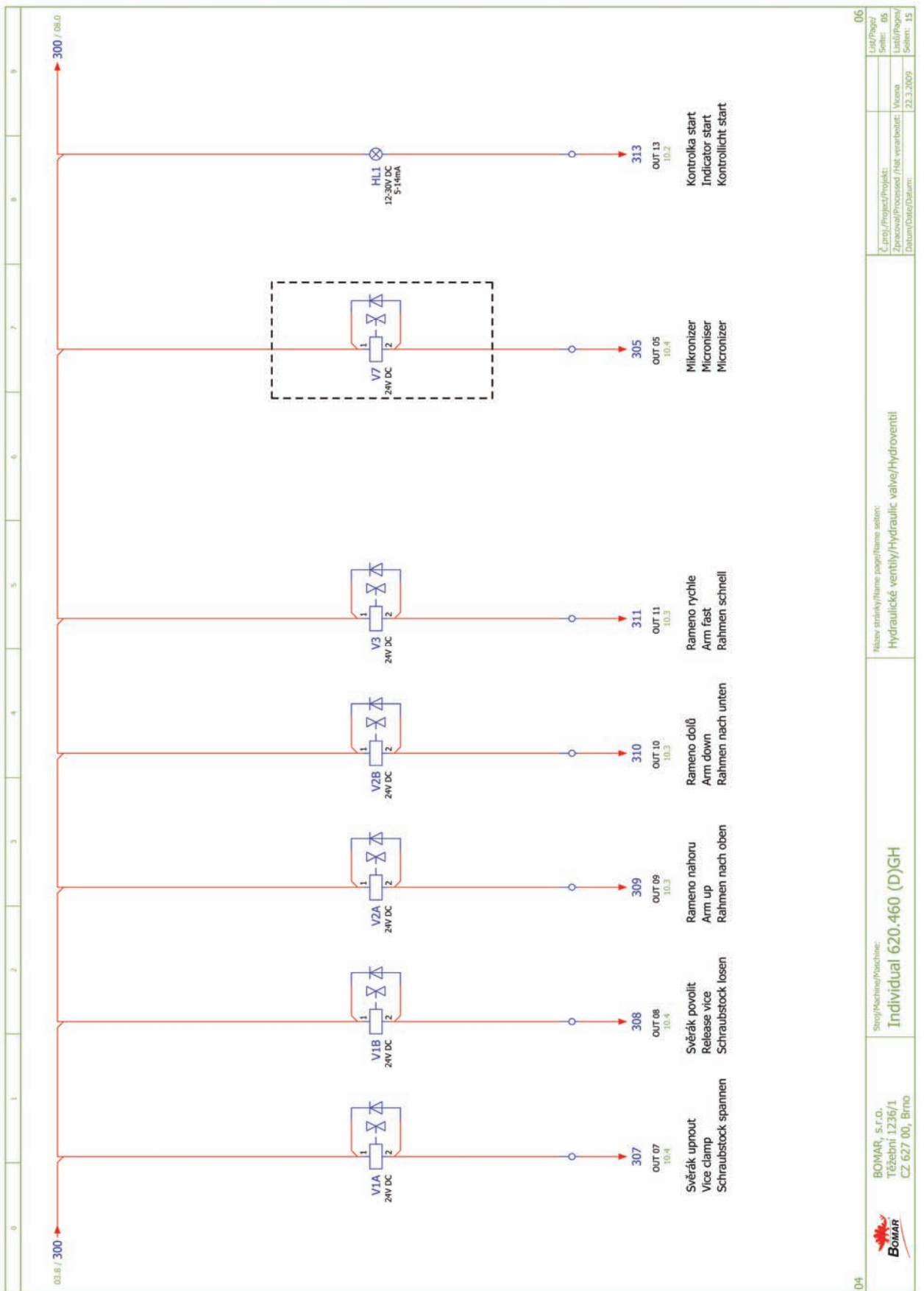
4. Machine service

5. Troubleshooting

6. Schematics

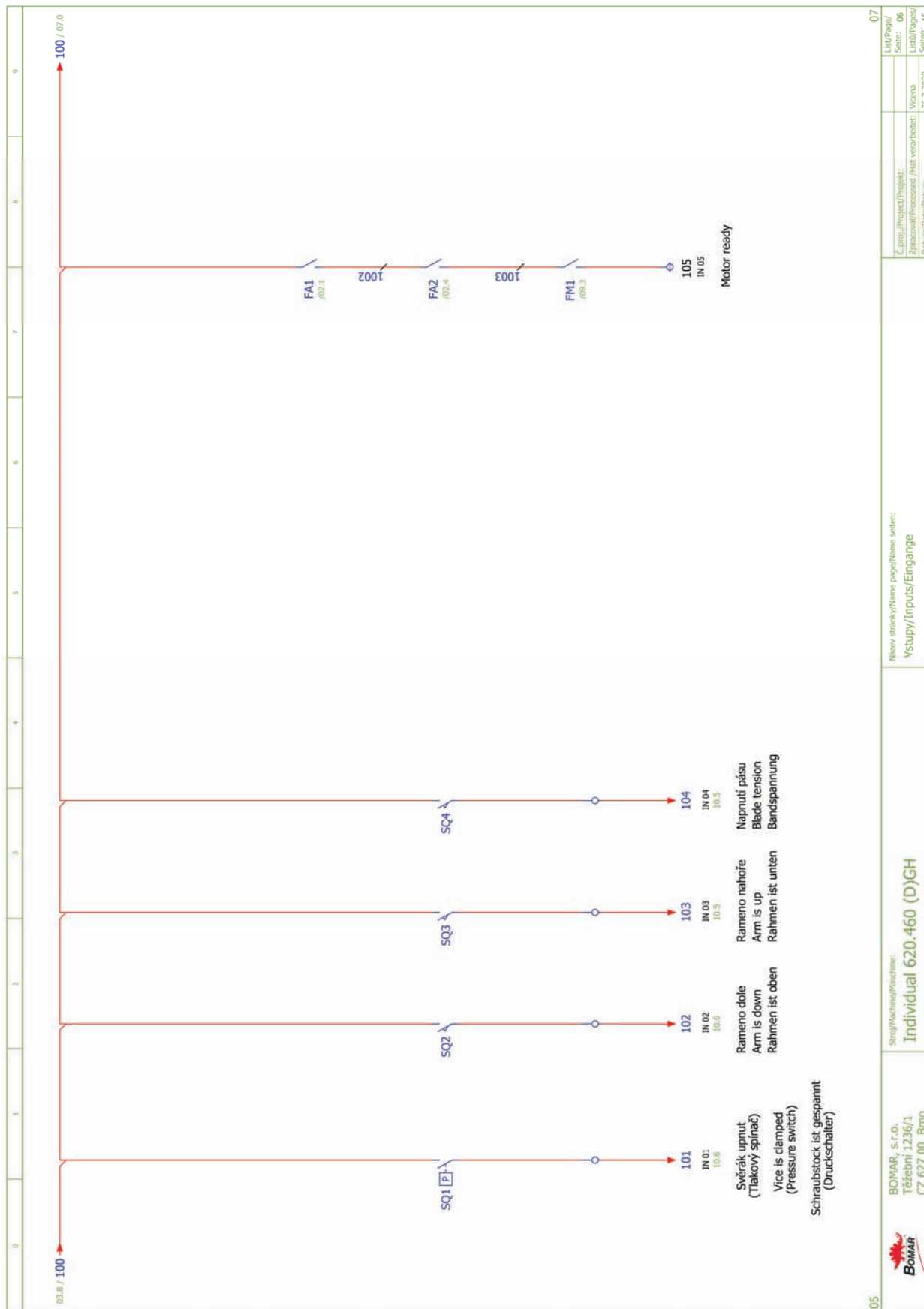
7. Drawings and piece lists

- 1. Safety notes
- 2. Machine documentation
- 3. Machine control
- 4. Machine service
- 5. Troubleshooting
- 6. Schematics
- 7. Drawings and piece lists



Elektrické schéma / Elektroschema / Wiring diagram 5 individual 620.460 DGH, 3×400 V/50 Hz, TN-C-S

| | |
|---|--|
| 04 | 06 |
| Název strojů/Name: page/frame set: Hydraulické ventily/Hydraulic valve/Hydroventil | |
| Stroj/Machine/Maschine: Individual 620.460 (D)GH | |
| BOMAR, s.r.o. Těšební 1236/1 CZ 627 00, Brno | C.drog./Project/Projekt: Zpracováno/Processed /File verarbeit.: Vlasa Datum/Date/Datum: 23.3.2009 |
| List/Page/ Seite: 05 List/Page/ Seiten: 15 | |



Elektrické schéma / Elektroschema / Wiring diagram 6 individual 620.460 DGH, 3×400 V/50 Hz, TN-C-S

1. Safety notes

2. Machine documentation

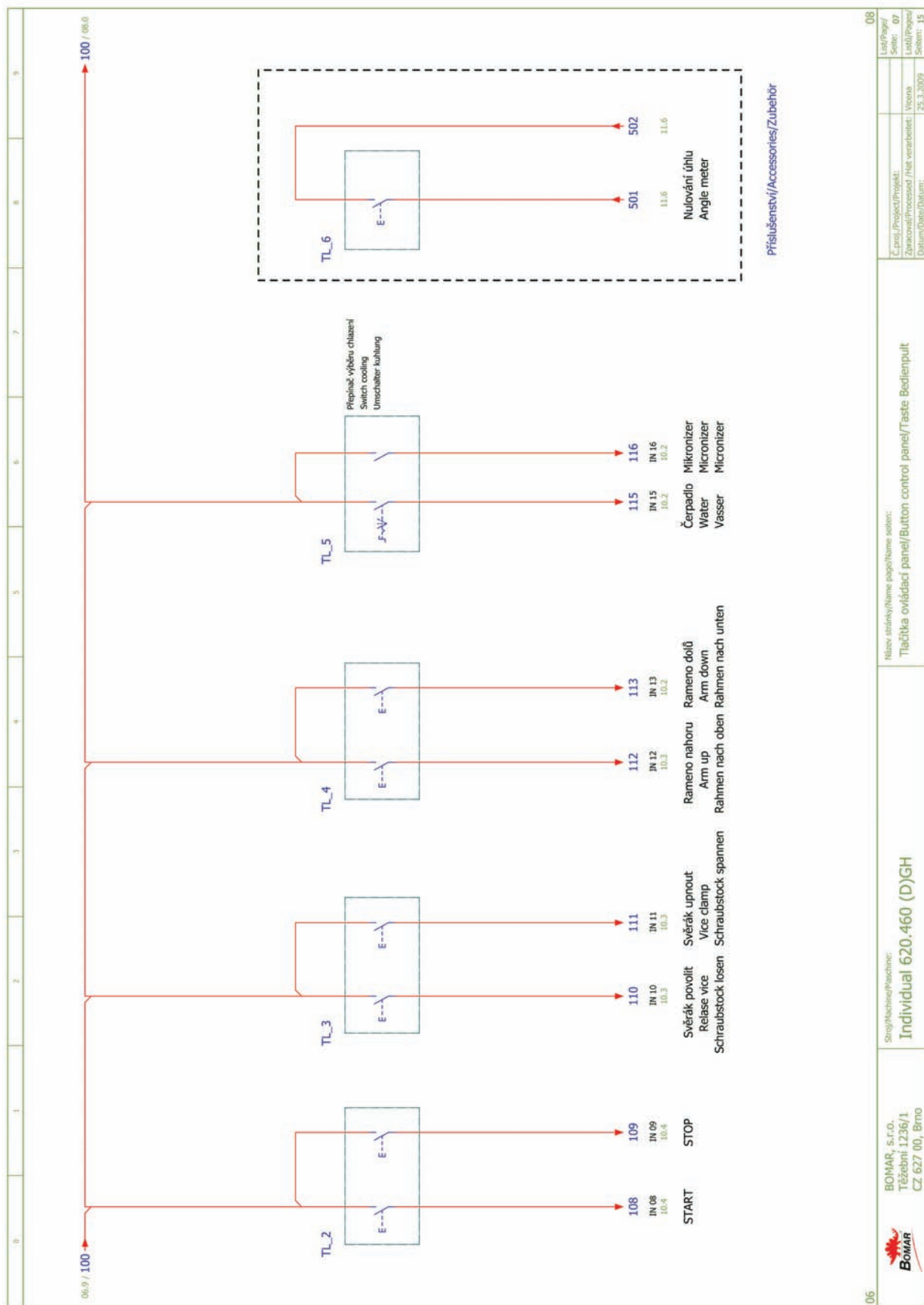
3. Machine control

4. Machine service

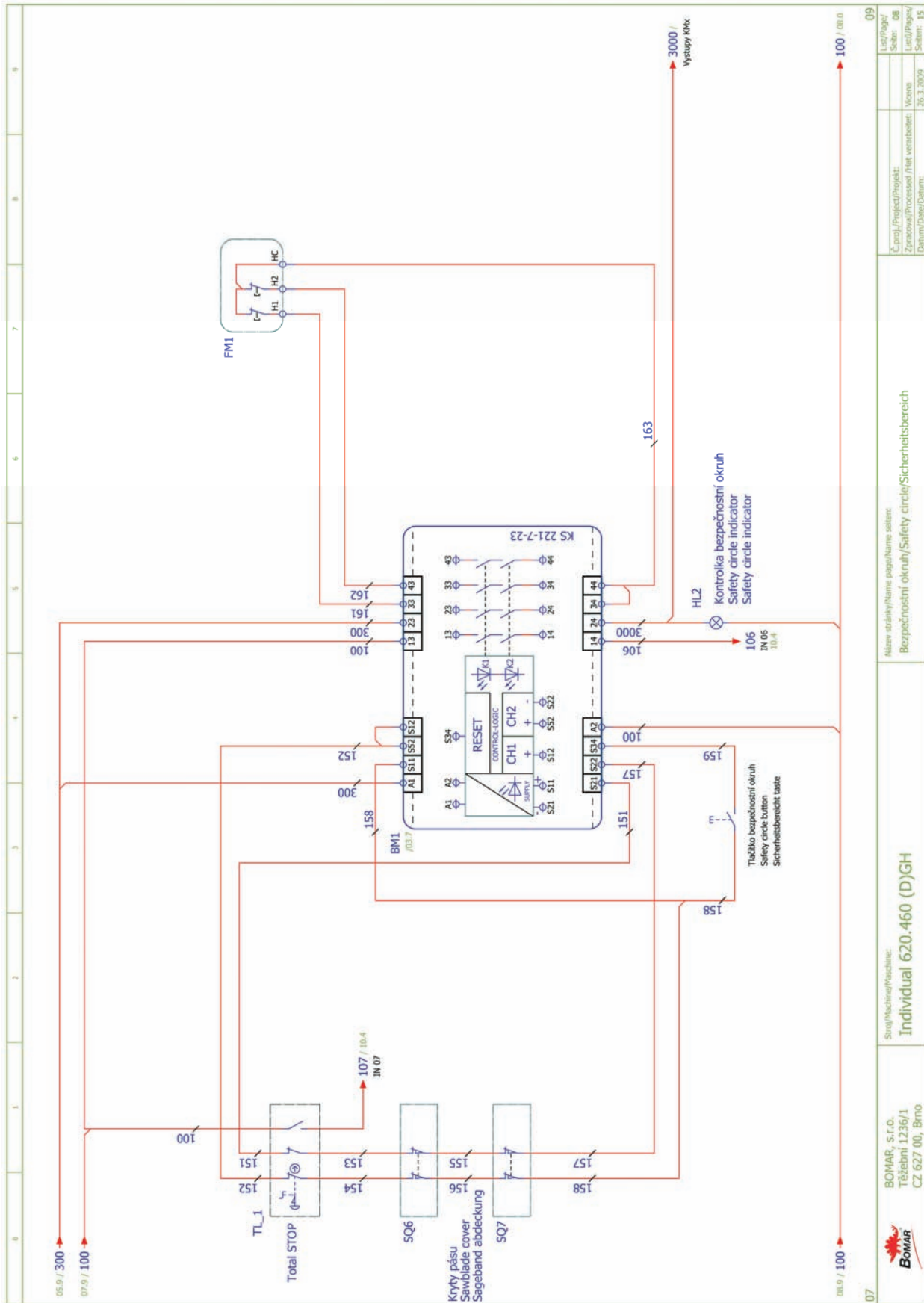
5. Troubleshooting

6. Schematics

7. Drawings and piece lists



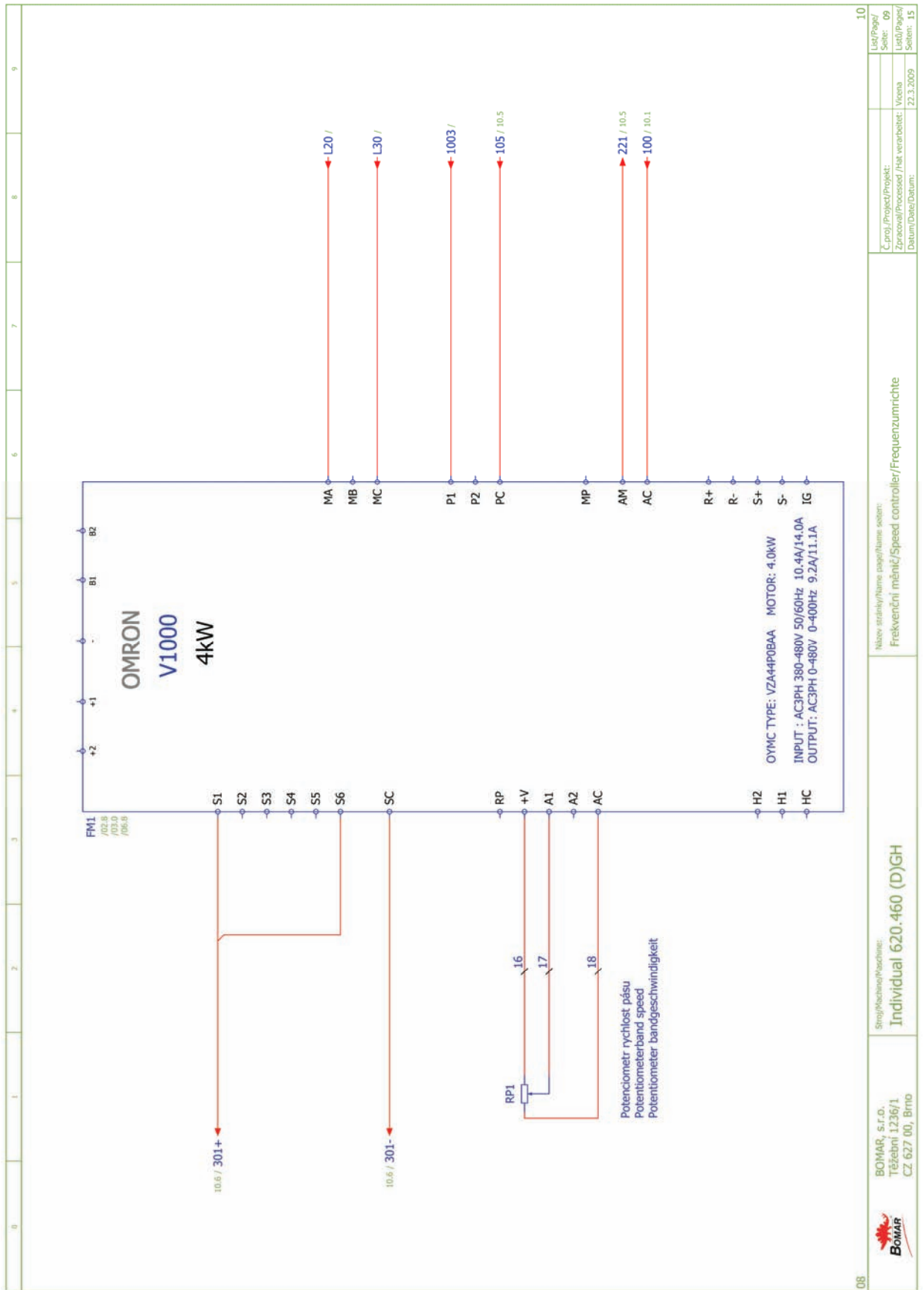
Elektrické schéma / Elektroschema / Wiring diagram 7 individual 620.460 DGH, 3×400 V/50 Hz, TN-C-S



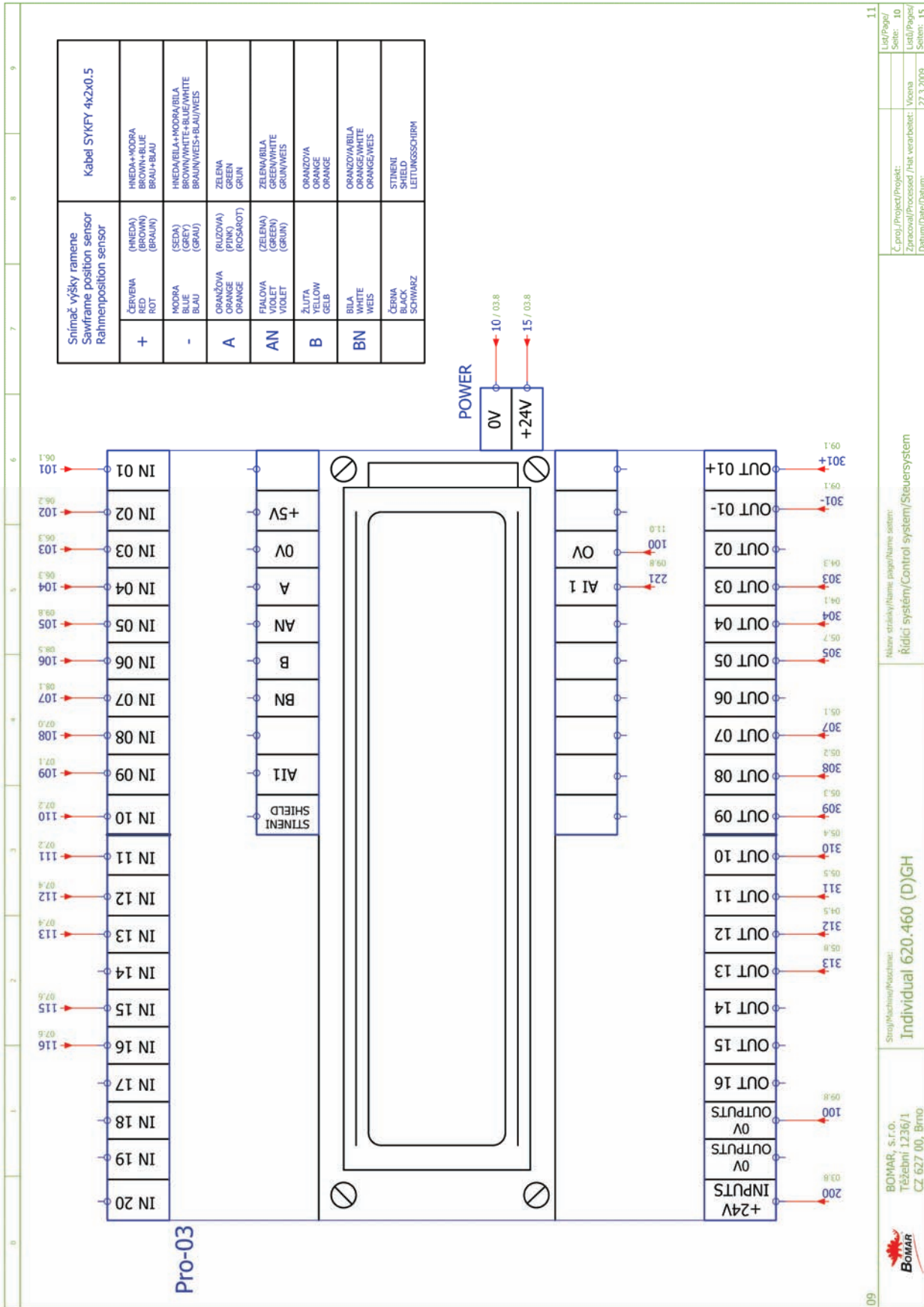
Elektrické schéma / Elektroschema / Wiring diagram 8
individual 620.460 DGH, 3×400 V/50 Hz, TN-C-S

| | | | | |
|----|--|---|---|-------------------------|
| 07 | BOMAR, s.r.o. Trzební 1236/1 CZ 627 00, Brno | Sheet/Sheet/Partname: Individual 620.460 (D)GH | Filev. strážky/Name page/Name sheet: Bezpečnostní okruh/Safety circle/Sicherheitsbereich | 09 |
| | | | Č. proj./Project/Projekt: Zpracoval/Processed /Hak verarbeitel: Vlciana | List/Page/ Seite: 08 |
| | | | Datum/Date/Datum: 26.3.2009 | List/Page/ Seite: 15 |

- 1. Safety notes
- 2. Machine documentation
- 3. Machine control
- 4. Machine service
- 5. Troubleshooting
- 6. Schematics
- 7. Drawings and piece lists



Elektrické schéma / Elektrochema / Wiring diagram 9 individual 620.460 DGH, 3×400 V/50 Hz, TN-C-S



Elektrické schéma / Elektroschema / Wiring diagram 10 individual 620.460 DGH, 3x400 V/50 Hz, TN-C-S

1. Safety notes

2. Machine documentation

3. Machine control

4. Machine service

5. Troubleshooting

6. Schematics

7. Drawings and piece lists

6.2. Kusovník elektrosoučástí / Stückliste der Elektroteilen / Piece list of electroparts – individual 620.460 DGH, 3×400 V/50 Hz, TN-C-S

| Ozn. Sign. Sign. | Název položky Bezeichnung Item | | Výrobce Hersteller Producer | Obj.č. Bestell-Nr. Ref. No. |
|------------------------|--|--------------------------|-----------------------------------|-----------------------------------|
| | Lampička / Lämpchen / Lamplet | LBP-B-302, 12 V, 20 W | RNDR Zdeněk Martinásek | 91.100.103 |
| | Laser / Laser / Laser | Laser | | 91.100.105 |
| | Spínací jednotka / Schaltereinheit / Switch unit | M22-K10 | MOELLER | 91.061.022 |
| | Hlavice / Kopf / Jugulum | M22-WRK3 | MOELLER | 91.060.051 |
| | Koncový spínač / Endschalter / Limit switch | QKS8 | KEDU | 91.173.012 |
| | Svorka / Klemme / Clamp | SH 10-5,08 | EUROCLAMP | 91.144.004 |
| BM1 | Bezpečnostní modul / Sicherheitmodul / Safety modul | SNA4064K | WIELAND | 91.051.026 |
| DAS D1/140 | Převodník snímače natáčení / Wandler – Positionsgeber / Converter – Turning sensor | DAS D1/140 | ASTP s.r.o. | 251.163 |
| ELGO | Snímač natáčení / Positionsgeber / Turning sensor | LMIX2-026-08.0-1-01 | ELGO | IFS |
| FA1 | Motorový jistič / Motorschutzschalter / Motor circuit-breaker | GZ1M03, 0,25–0,4 A | TELEMECANIQUE | 91.235.022 |
| FA1 FA2 | Motorový jistič – Pomocný kontakt / Motorschutzschalter – Hilfskontakt / Motor circuit-breaker – Auxiliary contact | GZ1AN11 | TELEMECANIQUE | 91.046.004 |
| FA2 | Motorový jistič / Motorschutzschalter / Motor circuit-breaker | GZ1M06, 1–1,6 A | TELEMECANIQUE | 91.235.024 |
| FM1 | Frekvenční měnič / Frequenzwandler / Frequency convertor | V1000 43P0, 4kW | OMRON | 91.012.021 |
| FU1...FU6 | Pojistkové pouzdro / Röhrensicherung Büchse / Fuse cover | WK4/THSi5. U | WIELAND | 91.251.102 |
| FU1 | Pojistka / Röhrensicherung / Fuse | 0.2A | | |
| FU2 FU3 FU6 | Pojistka / Röhrensicherung / Fuse | 2A | | |
| FU4 | Pojistka / Röhrensicherung / Fuse | 6.3A | | |
| FU5 | Pojistka / Röhrensicherung / Fuse | F1A/250V | ESKA | 91.230.003 |
| HL1 | Signálka zelená / Signallicht grün / Indicator lamp green | M22-LED-G | MOELLER | 91.061.023 |
| HL1 | Hlavice zelená / Kopf grün / Green jugulum | M22-DL-G | MOELLER | 91.060.031 |
| HL2 | Hlavice žlutá / Kopf gelb / Yellow jugulum | M22-DL-Y | MOELLER | 91.060.053 |
| HL2 | Hlavice / Kopf / Jugulum | M22-LED-W | MOELLER | 91.060.030 |
| KM1 | Stykač / Schutzschalter / Contactor | DIL EM-10-G | MOELLER | 91.040.020 |
| KM2 KM3 | Stykač / Schutzschalter / Contactor | DILM12-01, 5,5 kW | MOELLER | 91.040.025 |
| LU-1 | Převodník / Wandler / Converter – LASER | LU-1 | ASTP s.r.o. | 91.100.101 |

1. Safety notes

2. Machine
documentation3. Machine
control4. Machine
service

5. Troubleshooting

6. Schematics

7. Drawings
and piece lists

| Ozn. Sign. Sign. | Název položky Bezeichnung Item | | Výrobce Hersteller Producer | Obj.č. Bestell-Nr. Ref. No. |
|-----------------------------|--|--------------------------------|-----------------------------------|-----------------------------------|
| M1 | Čerpadlo chlazení / Kühlmittelpumpe / Coolant pump | 2COP1-12H P1, 50W, 0,14A | EmP Slavkov u Brna | IFS |
| M5 | Ventilátor / Ventilator / Ventilator | RAH1278B1 -C | XFAN | 91.015.105 |
| PA1 | Pojistkový odpínač / Sicherungs-Trennschalter / Fuse-switch-disconnector | OPV10/3 | OEZ | 91.241.002 |
| PA1 | Pojistka / Röhrensicherung / Fuse | PV10 16A gG | OEZ | 91.230.020 |
| 37956 | Řídicí systém / Steuersystem / control system | Pro_02 | BOMAR s.r.o. | 265.913 |
| QS1 | Hlavní vypínač / Hauptschalter / Control switch | VCF1-32A, 32 A | TELEMECANI QUE | 91.170.012 |
| RCF1 RCF2 | Filtr RFC / Filter RFC / Filter RFC | FBOPR1624 | | 91.041.015 |
| RF1 | Filtr / Filter / Filter | A1000- FIV3020-RE | OMRON | 91.012.022 |
| RP1 | Potenciometr / Potentiometer / Potentiometer | TP195 4k7- N20A, 4k7 | TES-Ostrava | 91.283.002 |
| RP1 | Svorka / Klemme / Clamp | | WIELAND | 91.250.009 |
| SQ2 | Koncový spínač / Endschalter / Limit switch | FM 655 | PIZZATO | IFS |
| SQ3 | Koncový spínač / Endschalter / Limit switch | FM 555-M2 | PIZZATO | IFS |
| SQ4 | Koncový spínač / Endschalter / Limit switch | D4N-4A32 | OMRON | IFS |
| TR2 | Transformator / Transformator / Transformator | NT-20, 230V/11,5 V, 20VA | RNDR Zdeněk Martinásek | 91.100.104 |
| Total STOP | Rozpínací jednotka / Ausschaltens / Break unit | M22-K01 | MOELLER | 91.061.024 |
| Total STOP | Hlavice / Kopf / Jugulum | M22-PVT 263467 | MOELLER | 91.060.030 |
| Tr1 | Toroidní transformátor / Toroid transformator / Toroid transformator | 1502304002 015 | ELEKTRO- KARBAN s.r.o. | 91.080.026 |
| V1A V1B V2A V2B V3 V7 | Dioda / Diode / Diode | IN5408 | | 91.280.003 |
| ZD1 | Zdroj / Energieversorgung / Source | | | |

1. Safety notes

2. Machine
documentation

3. Machine
control

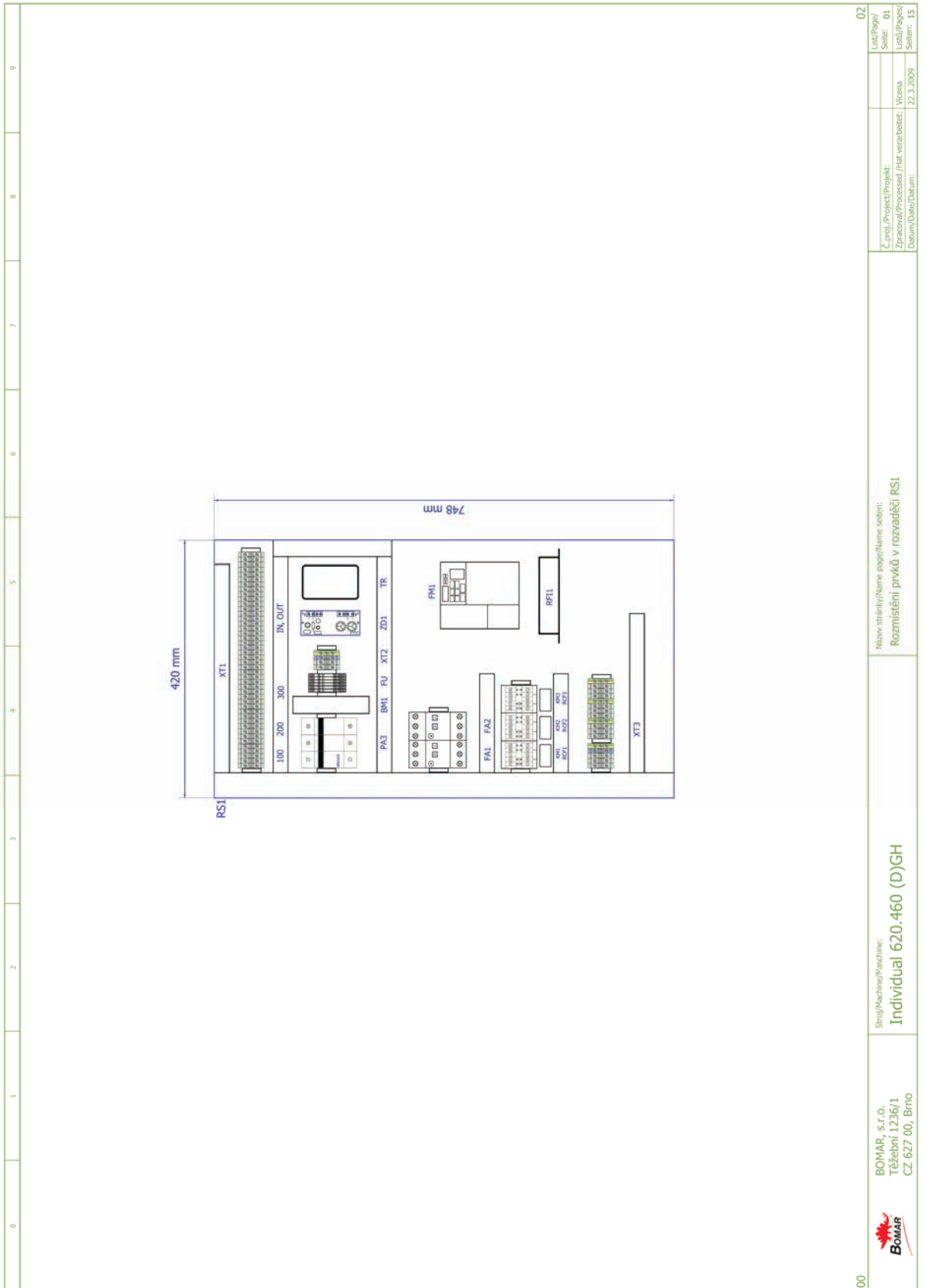
4. Machine
service

5. Troubleshooting

6. Schematics

7. Drawings
and piece lists

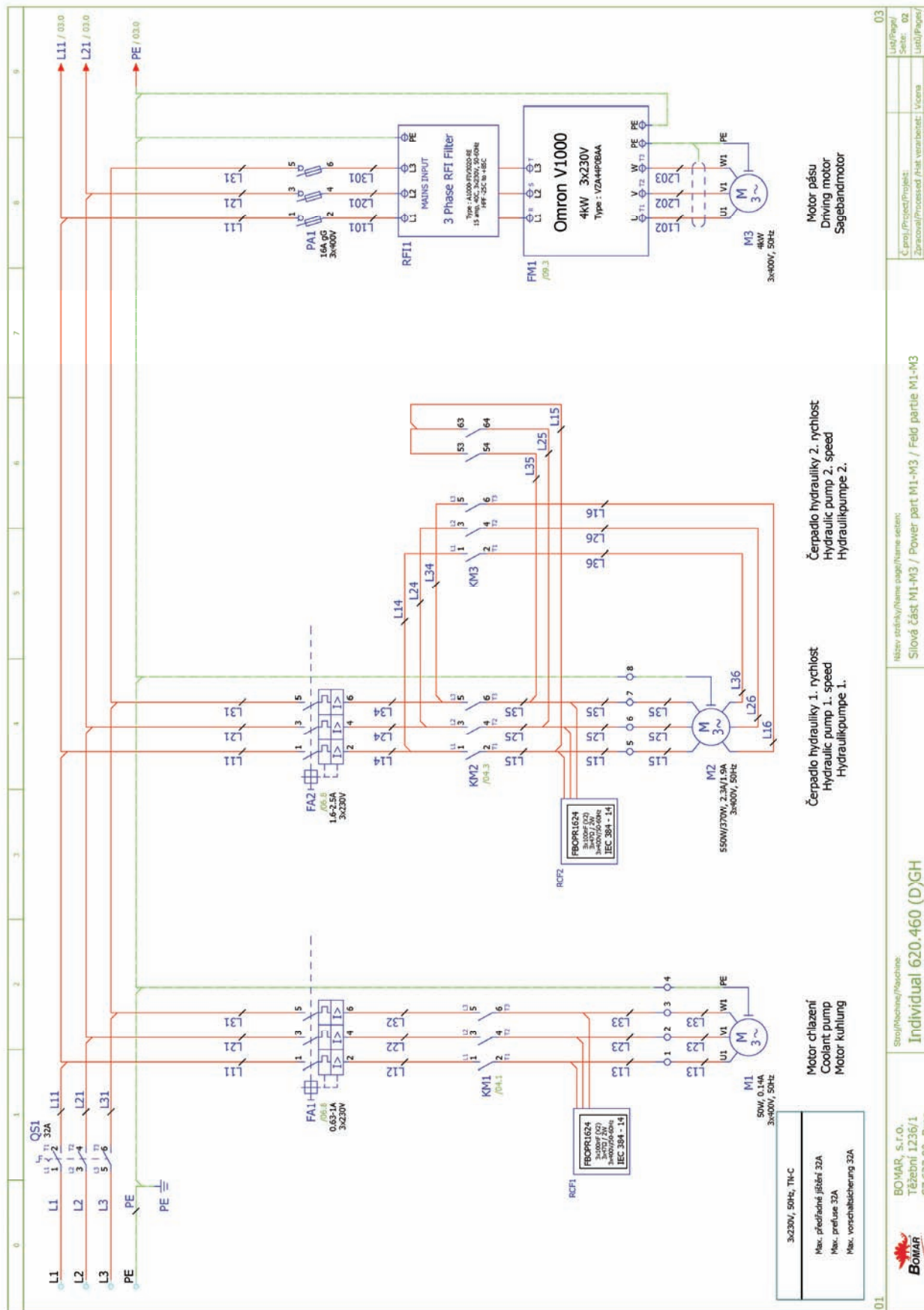
6.3. Elektrická schémata / Elektroschemas / Wiring diagrams – 3×400 V, 50 Hz, TN-C



| | | |
|--|--|---|
| 00 | 01 | 02 |
| BOMAR, s.r.o. Tržební 1236/1 CZ 627 00, Brno | Stroj/Mechine/Machine: Individual 620.460 (D)GH | Město státní/Název popis/název sestavy: Rozmístění prvků v rozvaděči RS1 |
| | | C.proj./Project/Projekt: Zpracoval/Processed /Nat. verarbeitete: Micoša |
| | | 22.3.2009 |
| | | List/Page/ Seiten: 01 |
| | | List/Page/ Seiten: 15 |

Elektrické schéma / Elektroschema / Wiring diagram 1
individual 620.460 DGH, 3×400 V/50 Hz, TN-C

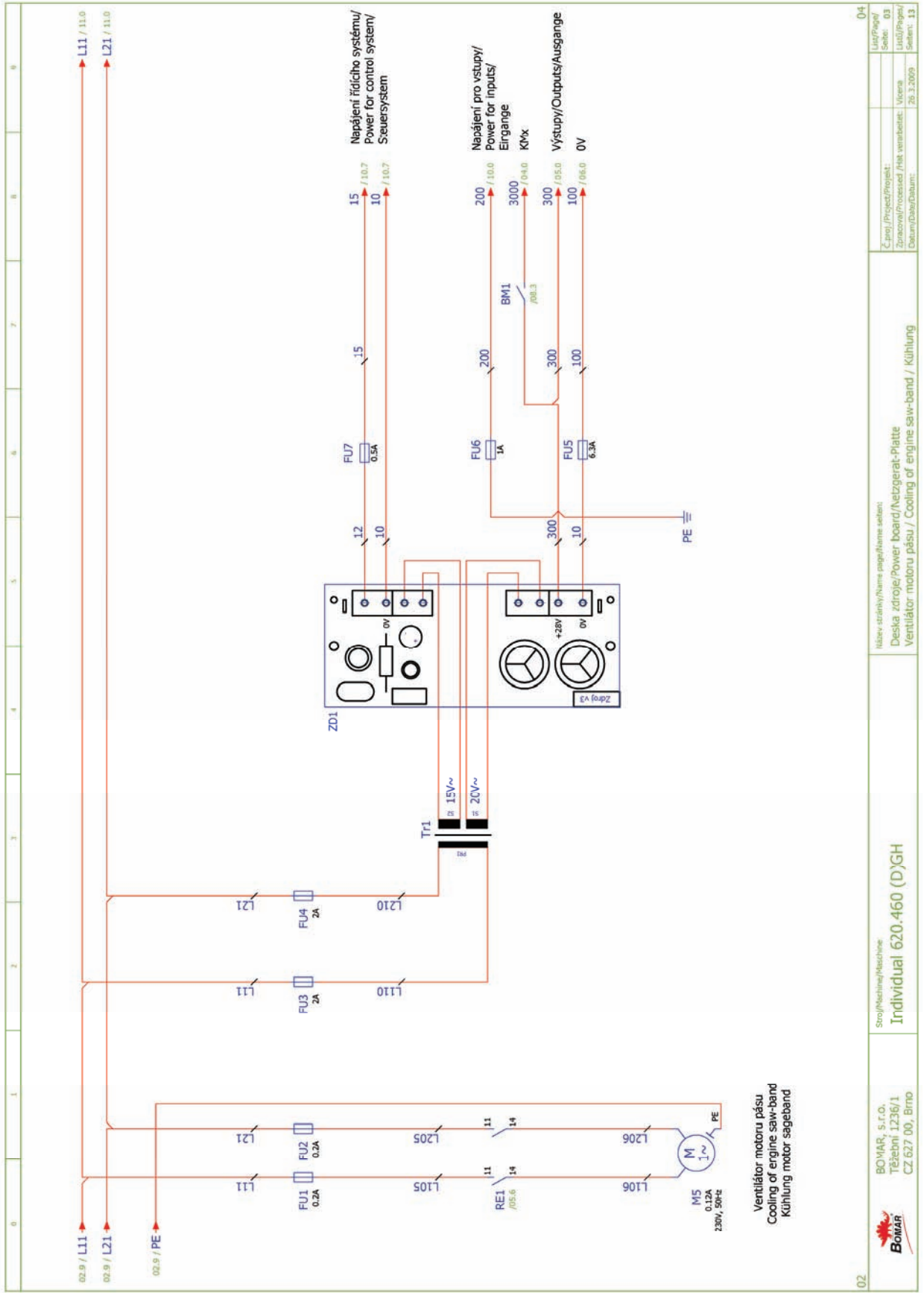
- 1. Safety notes
- 2. Machine documentation
- 3. Machine control
- 4. Machine service
- 5. Troubleshooting
- 6. Schematics
- 7. Drawings and piece lists



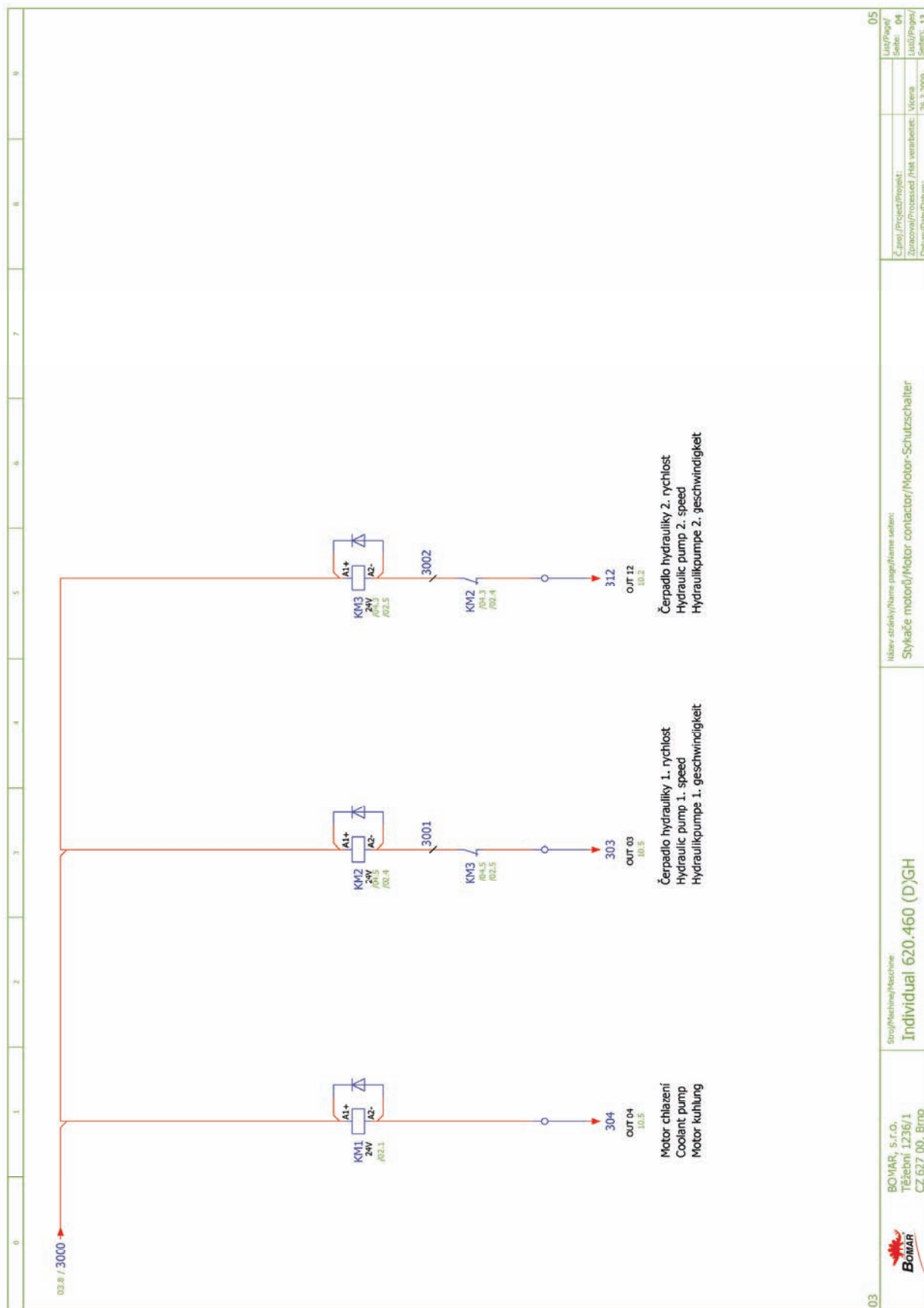
Elektrické schéma / Elektroschema / Wiring diagram 2
 individual 620.460 DGH, 3x400 V/50 Hz, TN-C

- 1. Safety notes
- 2. Machine documentation
- 3. Machine control
- 4. Machine service
- 5. Troubleshooting
- 6. Schematics
- 7. Drawings and piece lists

- 1. Safety notes
- 2. Machine documentation
- 3. Machine control
- 4. Machine service
- 5. Troubleshooting
- 6. Schematics
- 7. Drawings and piece lists



Elektrické schéma / Elektroschema / Wiring diagram 3 individual 620.460 DGH, 3x400 V/50 Hz, TN-C



Elektrické schéma / Elektroschema / Wiring diagram 4
individual 620.460 DGH, 3×400 V/50 Hz, TN-C

1. Safety notes

2. Machine documentation

3. Machine control

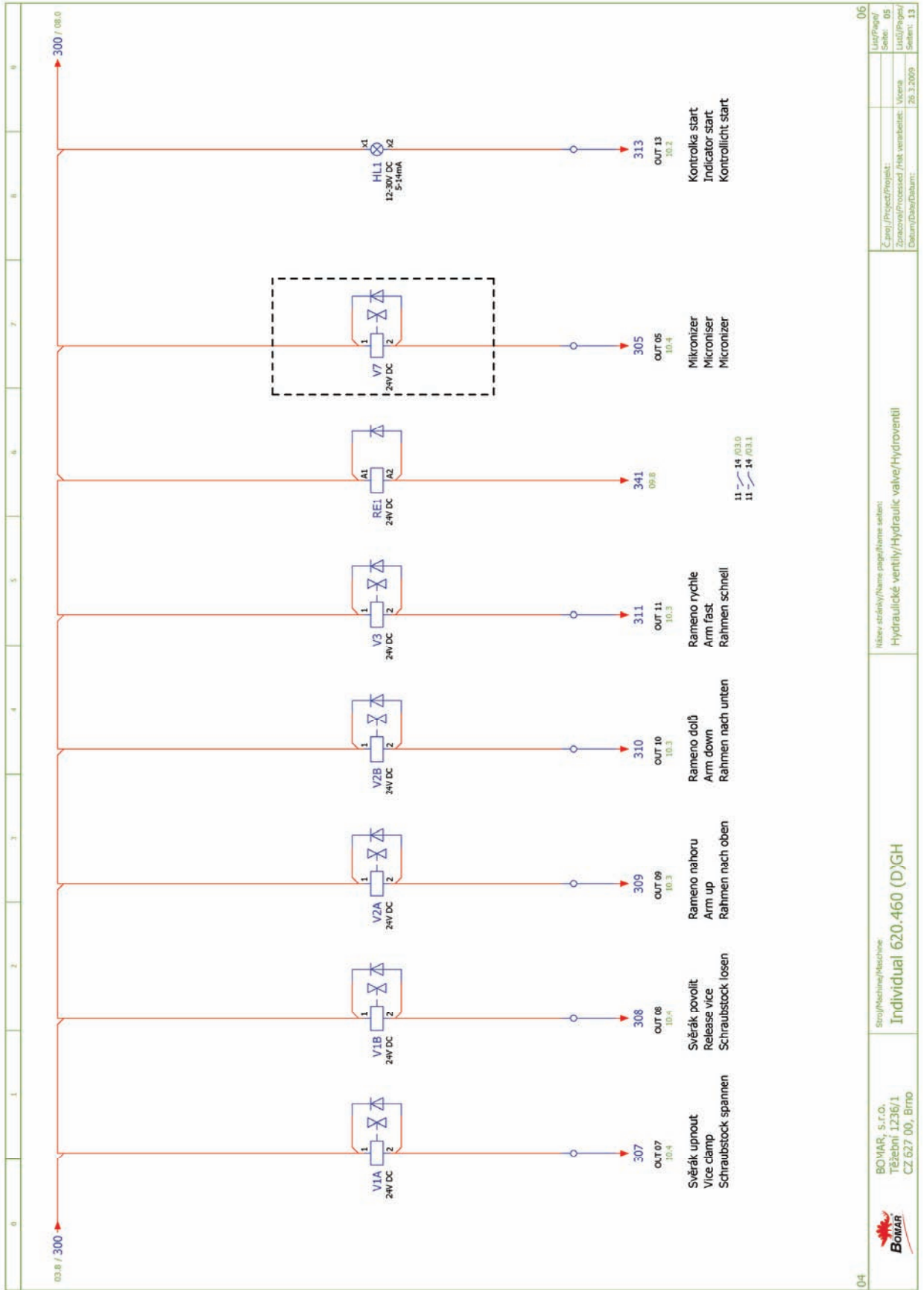
4. Machine service

5. Troubleshooting

6. Schematics

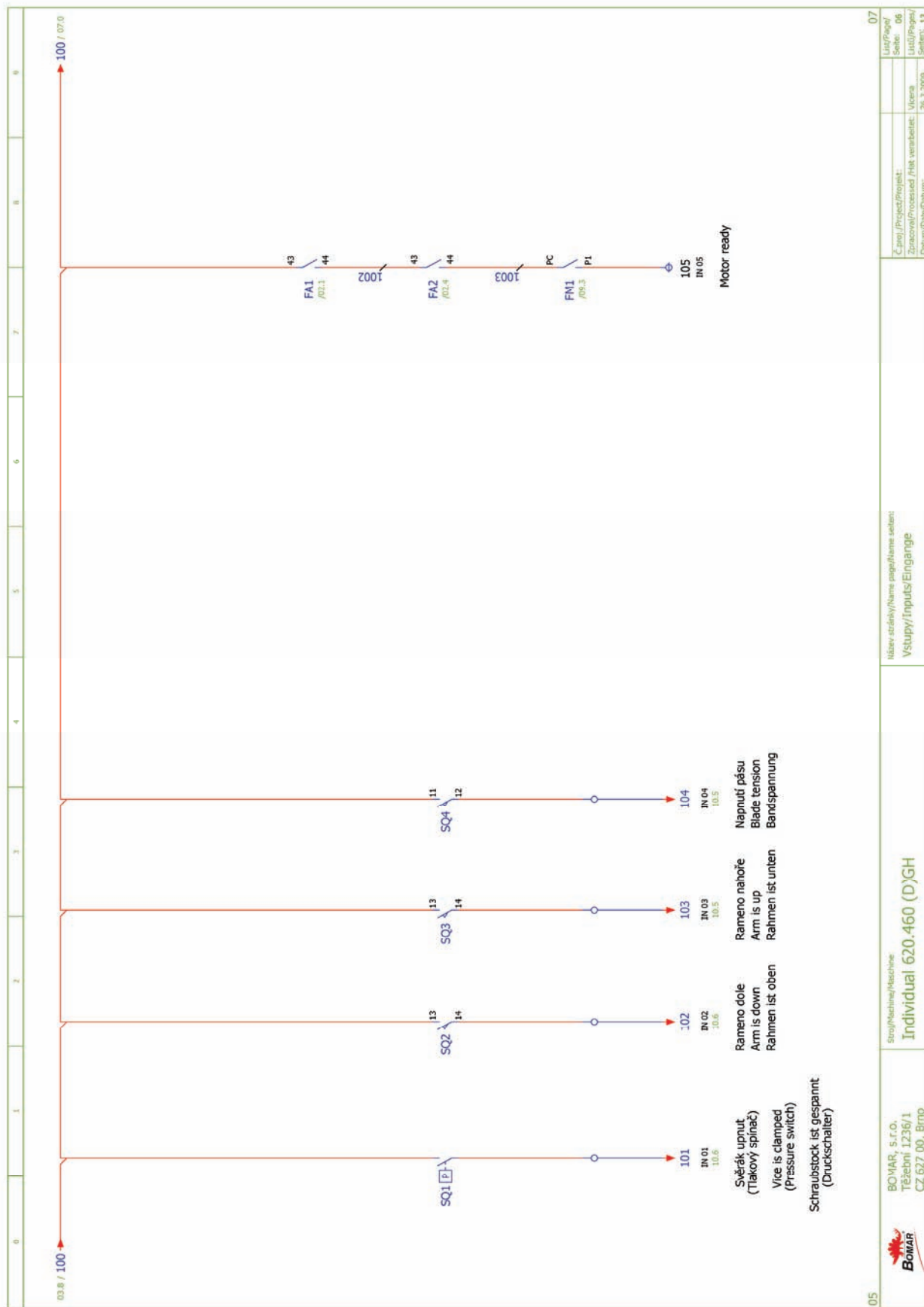
7. Drawings and piece lists

- 1. Safety notes
- 2. Machine documentation
- 3. Machine control
- 4. Machine service
- 5. Troubleshooting
- 6. Schematics
- 7. Drawings and piece lists



Elektrické schéma / Elektroschema / Wiring diagram 5 individual 620.460 DGH, 3×400 V/50 Hz, TN-C

| | |
|--|---|
| 04 | 06 |
| BOMAR, s.r.o. Těšební 1236/1 CZ 627 00, Brno | Wázev strojů/Name page/Name setlist: Hydraulické ventily/Hydraulic valve/Hydroventil |
| Strž/Machine/Maschine: Individual 620.460 (D)GH | |
| Č.jaroj/Projekt/Projekt: Zpracovatel/Processed / Hkř: verze/verze: Datum/Data/Datum: | 05 05 1.3 |
| | 05 05 1.3 |



Elektrické schéma / Elektroschema / Wiring diagram 6
individual 620.460 DGH, 3×400 V/50 Hz, TN-C

1. Safety notes

2. Machine documentation

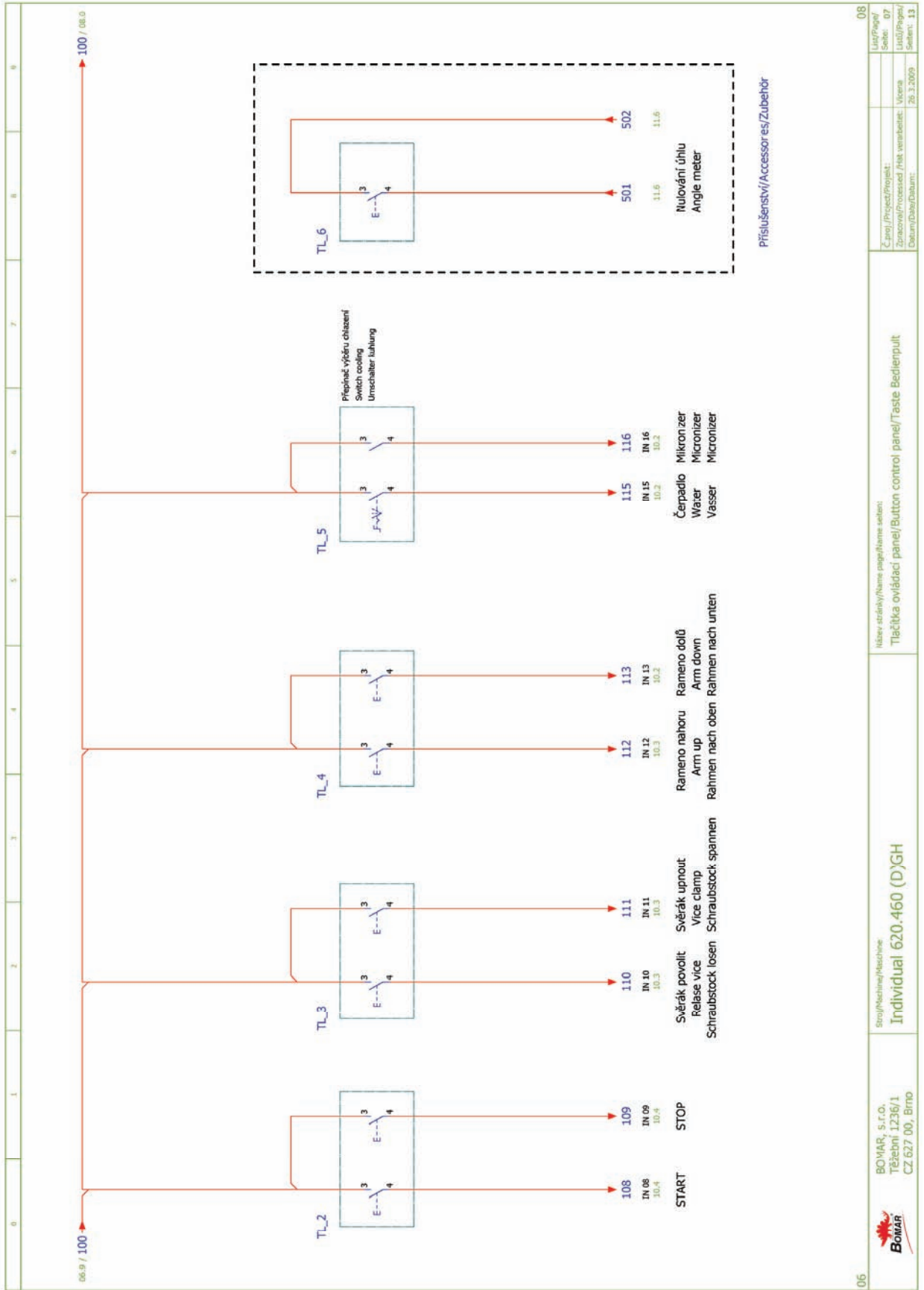
3. Machine control

4. Machine service

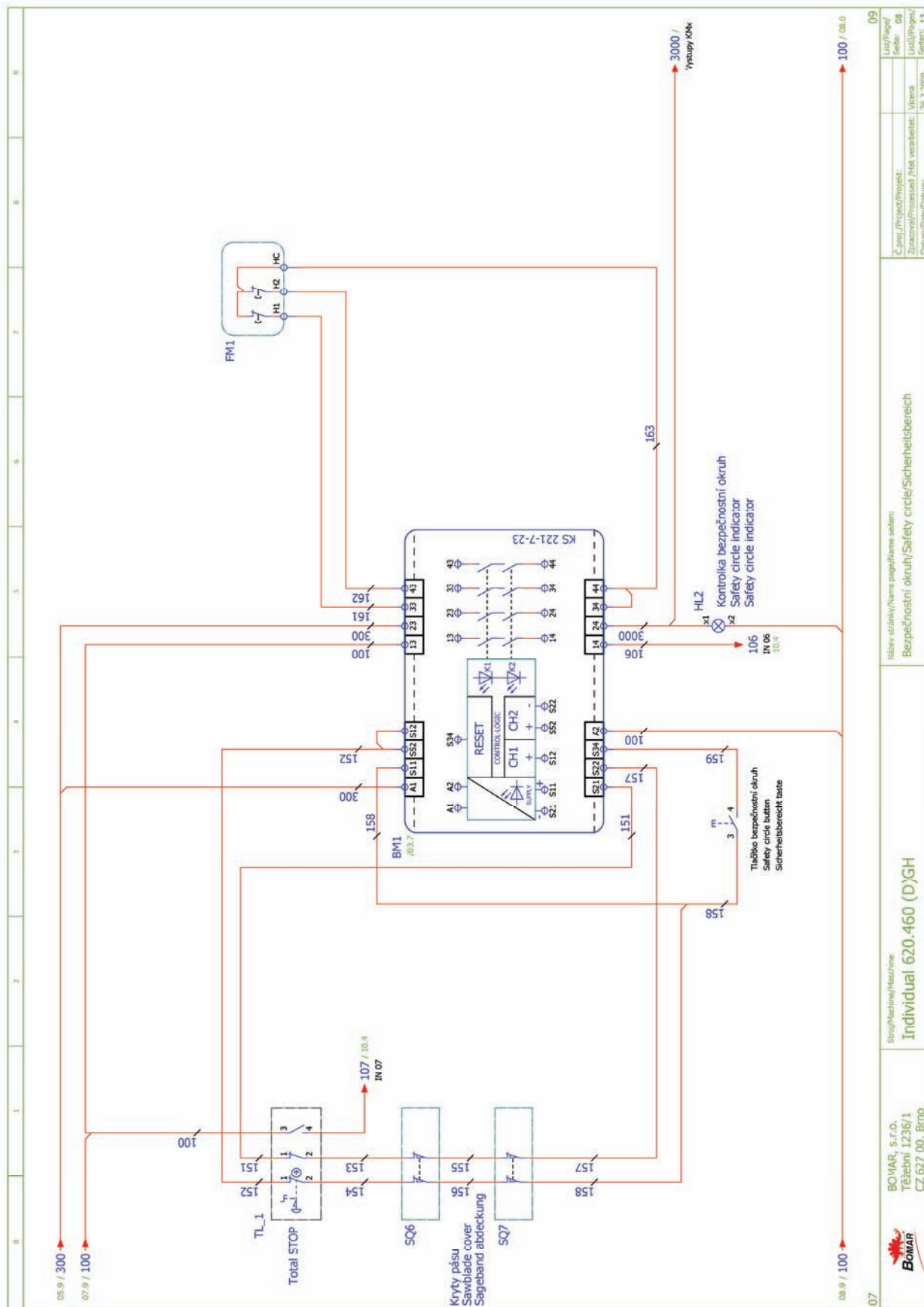
5. Troubleshooting

6. Schematics

7. Drawings and piece lists



Elektrické schéma / Elektroschema / Wiring diagram 7 individual 620.460 DGH, 3×400 V/50 Hz, TN-C



Elektrické schéma / Elektroschema / Wiring diagram 8
individual 620.460 DGH, 3×400 V/50 Hz, TN-C

| | |
|--------------------------------------|-----------|
| Číslo / Project/Projekt: | 09 |
| Zpracoval/Processed / HkL zpracoval: | Viktor |
| Datum/Dat/Datum: | 26.3.2009 |
| Sheet / List/Projekt: | 08 |
| System / Systém: | 13 |

Titulek stránky/Name page/frame section:
Bezpečnostní okruh/Safety circle/Sicherheitsbereich

Stroj/Machine/Maschine:
Individual 620.460 (D)GH

BOMAR, s.r.o.
Těšební 1236/1
CZ 627 00, Brno

1. Safety notes

2. Machine documentation

3. Machine control

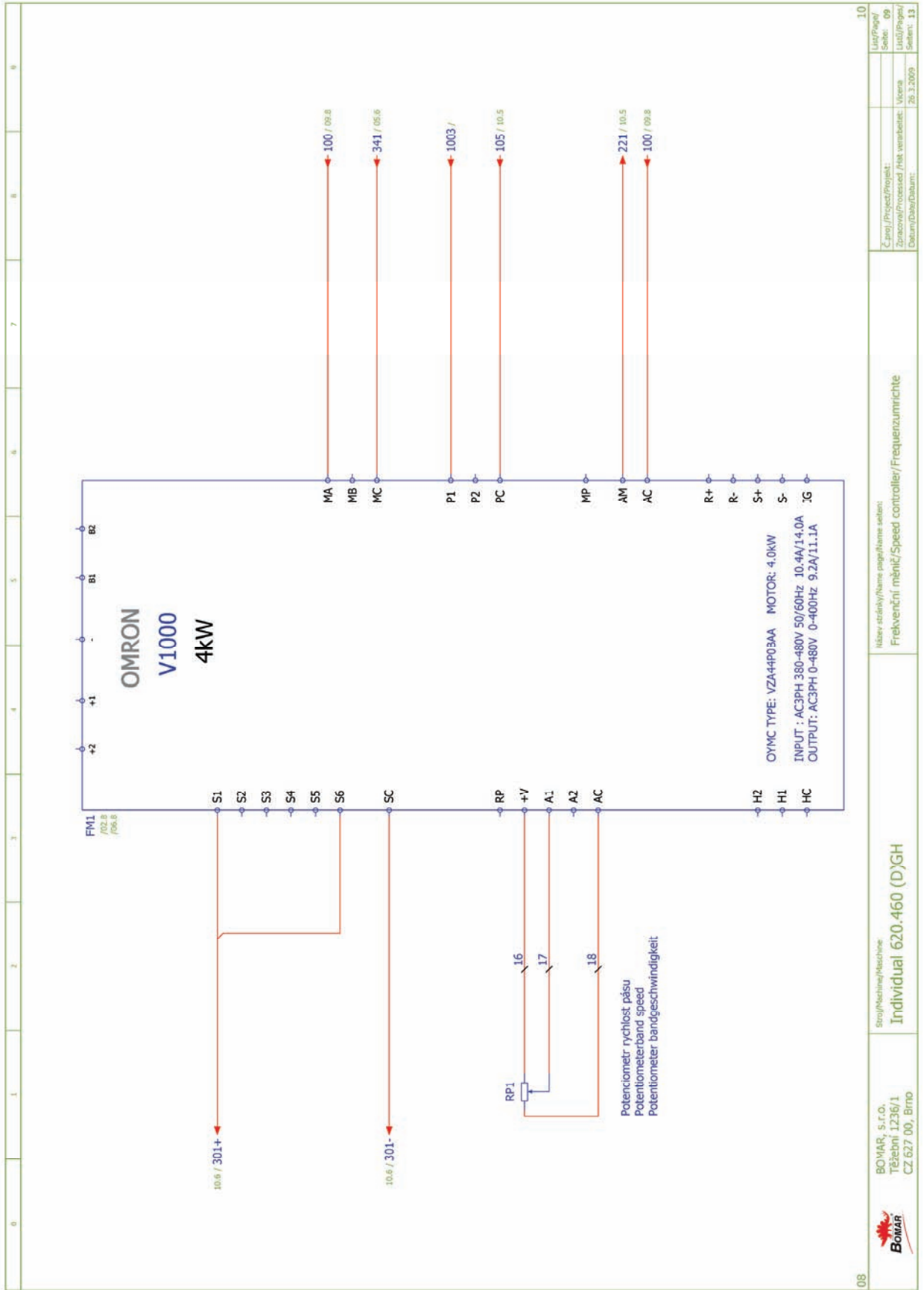
4. Machine service

5. Troubleshooting

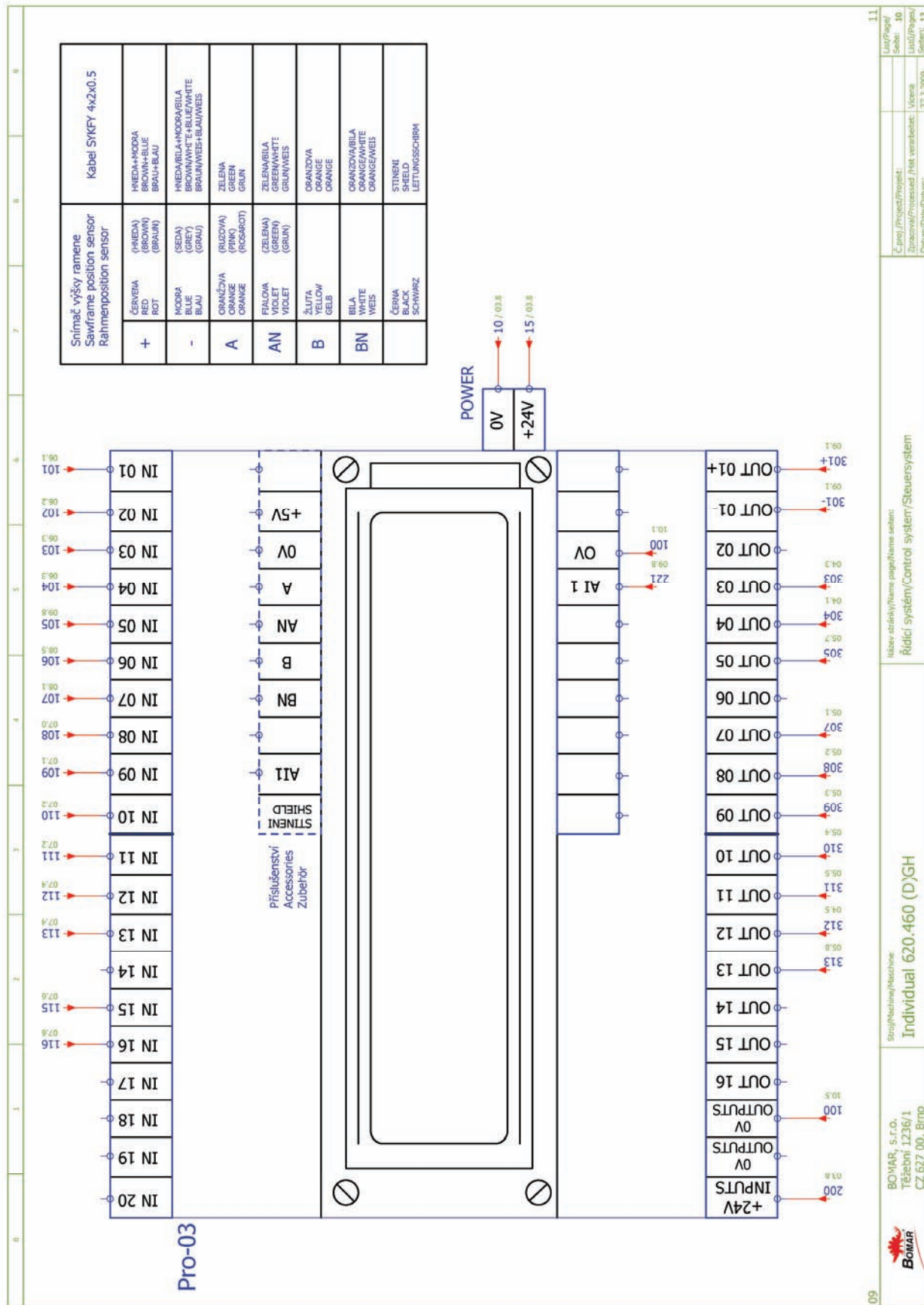
6. Schematics

7. Drawings and piece lists

- 1. Safety notes
- 2. Machine documentation
- 3. Machine control
- 4. Machine service
- 5. Troubleshooting
- 6. Schematics
- 7. Drawings and piece lists



Elektrické schéma / Elektroschema / Wiring diagram 9 individual 620.460 DGH, 3×400 V/50 Hz, TN-C



Elektrické schéma / Elektroschema / Wiring diagram 10 individual 620.460 DGH, 3x400 V/50 Hz, TN-C

1. Safety notes

2. Machine documentation

3. Machine control

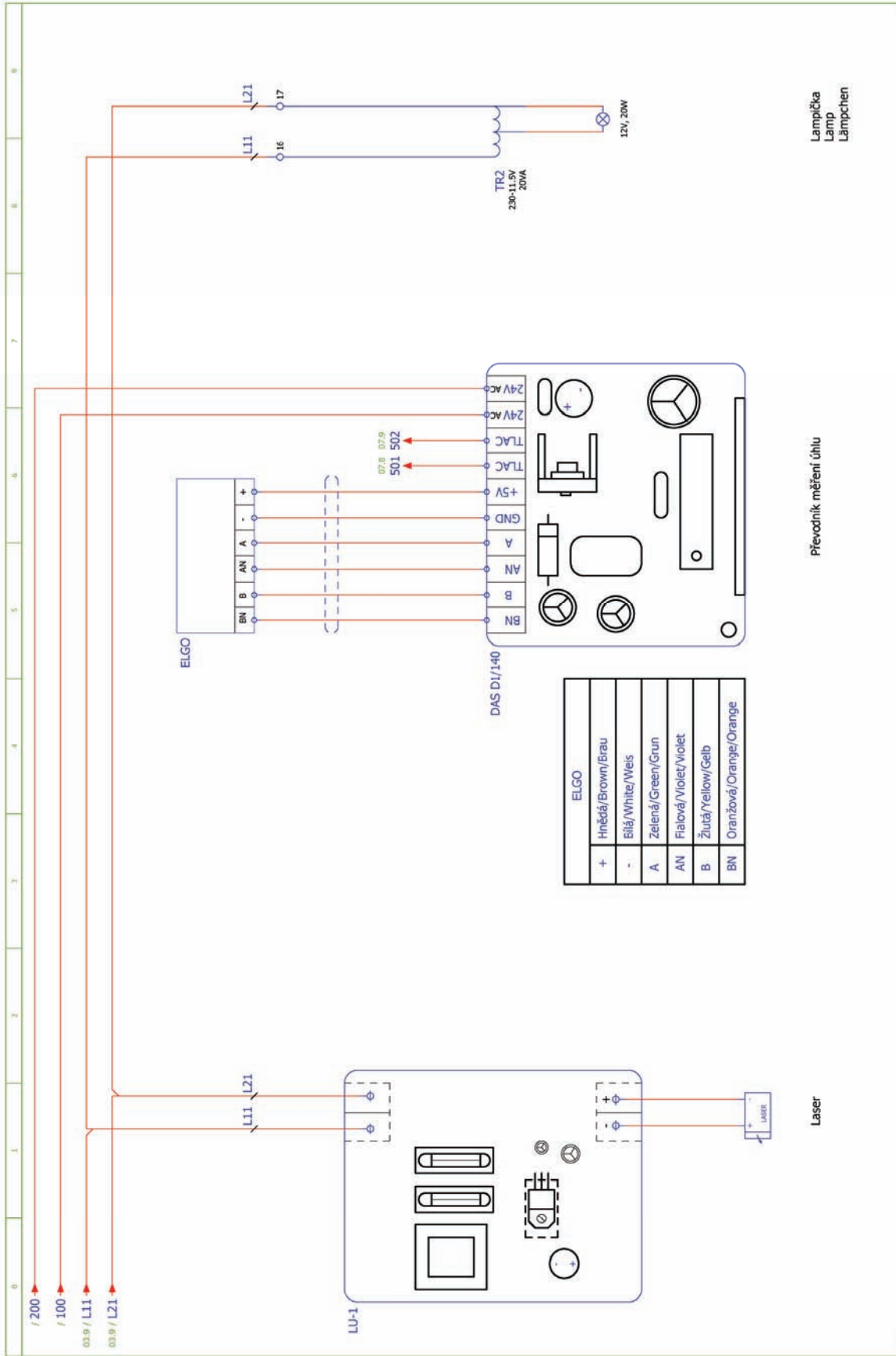
4. Machine service

5. Troubleshooting

6. Schematics

7. Drawings and piece lists

- 1. Safety notes
- 2. Machine documentation
- 3. Machine control
- 4. Machine service
- 5. Troubleshooting
- 6. Schematics
- 7. Drawings and piece lists



| | | |
|----|---|---|
| 10 | Stroj/Machine/Maschine Individual 620.460 (D)GH | Výběr stránky/Name page/Name seiten: Přístrojovní/Accessories/Zubehör |
| | | |
| | BOMAR, s.r.o. Těšební 1236/1 CZ 627 00, Brno | |
| | | Číslo/Project/Projekt: Zpracováno/Processed / Hlt. verarbeitet: Včera Datum/Date/Datum: 27.3.2009 |
| | | List/Page/ Seite: 11 List/Program/ Seiten: 13 |

Elektrické schéma / Elektroschema / Wiring diagram 11 individual 620.460 DGH, 3×400 V/50 Hz, TN-C

6.4. Kusovník elektrosoučástí / Stückliste der Elektroteilen / Piece list of electroparts – individual 620.460 DGH, 3×400 V/50 Hz, TN-C

| Ozn. Sign. Sign. | Název položky Bezeichnung Item | | Výrobce Hersteller Producer | Obj.číslo Best.-Nr. Ref. No. |
|------------------------|--|-------------------------|-----------------------------------|------------------------------------|
| | Lampička / Lämpchen / Lamplet | LBP-B-302, 12V, 20 W | RNDR Zdeněk Martinásek | 91.100.103 |
| | Laser / Laser / Laser | Laser | | 91.100.105 |
| | Spínací jednotka / Schaltereinheit / Switch unit | M22-K10 | MOELLER | 91.061.022 |
| | Hlavice / Kopf / Jugulum | M22-WRK3 | MOELLER | 91.060.051 |
| | Koncový spínač / Endschalter / Limit switch | QKS8 | KEDU | 91.173.012 |
| | Svorka | SH 10-5,08 | EUROCLAMP | 91.144.004 |
| BM1 | Svorka / Klemme / Clamp | SNA4064K | WIELAND | 91.051.026 |
| DAS D1/140 | Převodník snímače natáčení / Wandler – Positionsgeber / Convertor – Turning sensor | DAS D1/140 | ASTP s.r.o. | 251.163 |
| ELGO | Snímač natáčení / Positionsgeber / Turning sensor | LMIX2-026- 08.0-1-01 | ELGO | IFS |
| FA1 | Motorový jistič / Motorschutzschalter / Motor circuit-breaker | GZ1M05, 0,63– 1 A | TELEMECANIQUE | 91.235.023 |
| FA1 FA2 | Motorový jistič – Pomocný kontakt / Motorschutzschalter – Hilfskontakt / Motor circuit-breaker – Auxiliary contact | GZ1AN11 | TELEMECANIQUE | 91.046.004 |
| FA2 | Motorový jistič / Motorschutzschalter / Motor circuit-breaker | GZ1M07, 1,6– 2,5 A | TELEMECANIQUE | IFS |
| FM1 | Frekvenční měnič / Frequenzwandler / Frequency convertor | V1000 43P0, 4 kW | OMRON | 91.012.021 |
| FU1 FU3...FU7 | Pojistkové pouzdro / Röhrensicherung Büchse / Fuse cover | WK4/THSi5...U | WIELAND | 91.251.102 |
| FU1 | Pojistka / Röhrensicherung / Fuse | 0.2A | | |
| FU3 FU4 FU7 | Pojistka / Röhrensicherung / Fuse | 2A | | |
| FU5 | Pojistka / Röhrensicherung / Fuse | 6.3A | | |
| FU6 | Pojistka / Röhrensicherung / Fuse | F1A/250V | ESKA | 91.230.003 |
| HL1 | Signálka zelená / Signallicht grün / Indicator lamp green | M22-LED-G | MOELLER | 91.061.023 |
| HL1 | Hlavice zelená / Kopf grün / Green jugulum | M22-DL-G | MOELLER | 91.060.031 |
| HL2 | Hlavice žlutá / Kopf gelb / Yellow jugulum | M22-DL-Y | MOELLER | 91.060.053 |
| HL2 | Hlavice / Kopf / Jugulum | M22-LED-W | MOELLER | 91.060.030 |
| KM1 | Stykač / Schutzschalter / Contactor | DIL EM-10-G | MOELLER | 91.040.020 |
| KM2 KM3 | Stykač / Schutzschalter / Contactor | DILM12-01, 5,5 kW | MOELLER | 91.040.025 |

1. Safety notes

2. Machine
documentation3. Machine
control4. Machine
service

5. Troubleshooting

6. Schematics

7. Drawings
and piece lists

| Ozn. Sign. Sign. | Název položky Bezeichnung Item | | Výrobce Hersteller Producer | Obj.číslo Best.-Nr. Ref. No. |
|-----------------------------|--|-------------------------------|-----------------------------------|------------------------------------|
| LU-1 | Převodník / Wandler / Converter – LASER | LU-1 | ASTP s.r.o. | 91.100.101 |
| M1 | Čerpadlo chlazení / Kühlmittelpumpe / Coolant pump | 2COP1-12H P1, 50 W, 0,14 A | EmP Slavkov u Brna | IFS |
| M5 | Ventilátor / Ventilator / Ventilator | RAH1278B1-C | XFAN | 91.015.105 |
| PA1 | Pojistkový odpínač / Sicherungs- Trennschalter / Fuse-switch-disconnector | OPV10/3 | OEZ | 91.241.002 |
| PA1 | Pojistka / Röhrensicherung / Fuse | PV10 16A gG | OEZ | 91.230.020 |
| 37956 | Řídící systém / Steuersystem / control system | Pro_02 | BOMAR s.r.o. | 265.913 |
| QS1 | Hlavní vypínač / Hauptschalter / Control switch | VCF1-32A | TELEMECANIQUE | 91.170.012 |
| RCF1 RCF2 | Filtr RFC / Filter RFC / Filter RFC | FBOPR1624 | | 91.041.015 |
| RF11 | Filtr / Filter / Filter | A1000-FIV3020- RE, 4 kW | OMRON | 91.012.022 |
| RP1 | Potenciometr / Potentiometer / Potentiometer | TP195 4k7- N20A | TES-Ostrava | 91.283.002 |
| RP1 | Svorka / Klemme / Clamp | Svorka rychloupinací | WIELAND | 91.250.009 |
| SQ2 | Koncový spínač / Endschalter / Limit switch | FM 655 | PIZZATO | IFS |
| SQ3 | Koncový spínač / Endschalter / Limit switch | FM 555-M2 | PIZZATO | IFS |
| SQ4 | Koncový spínač / Endschalter / Limit switch | D4N-4A32 | OMRON | IFS |
| TR2 | Transformátor / Transformator / Transformator | NT-20, 230/11,5 V, 20 VA | RNDR Zdeněk Martinásek | 91.100.104 |
| Total STOP | Rozpínací jednotka / Ausschalteins / Break unit | M22-K01 | MOELLER | 91.061.024 |
| Total STOP | Hlavice / Kopf / Jugulum | M22-PVT 263467 | MOELLER | 91.060.030 |
| Tr1 | Toroidní transformátor / Toroid transformator / Toroid transformator | 150230400201 5 | ELEKTRO-KARBAN s.r.o. | 91.080.026 |
| V1A V1B V2A V2B V3 V7 | Dioda / Diode / Diode | IN5408 | | 91.280.003 |
| ZD1 | Zdroj / Energieversorgung / Source | Zdroj | | |

1. Safety notes

2. Machine
documentation

3. Machine
control

4. Machine
service

5. Troubleshooting

6. Schematics

7. Drawings
and piece lists

6.5. Elektrická schémata / Elektroschemas / Wiring diagrams – 3×230 V, 50 Hz, TN-C

1. Safety notes

2. Machine
documentation

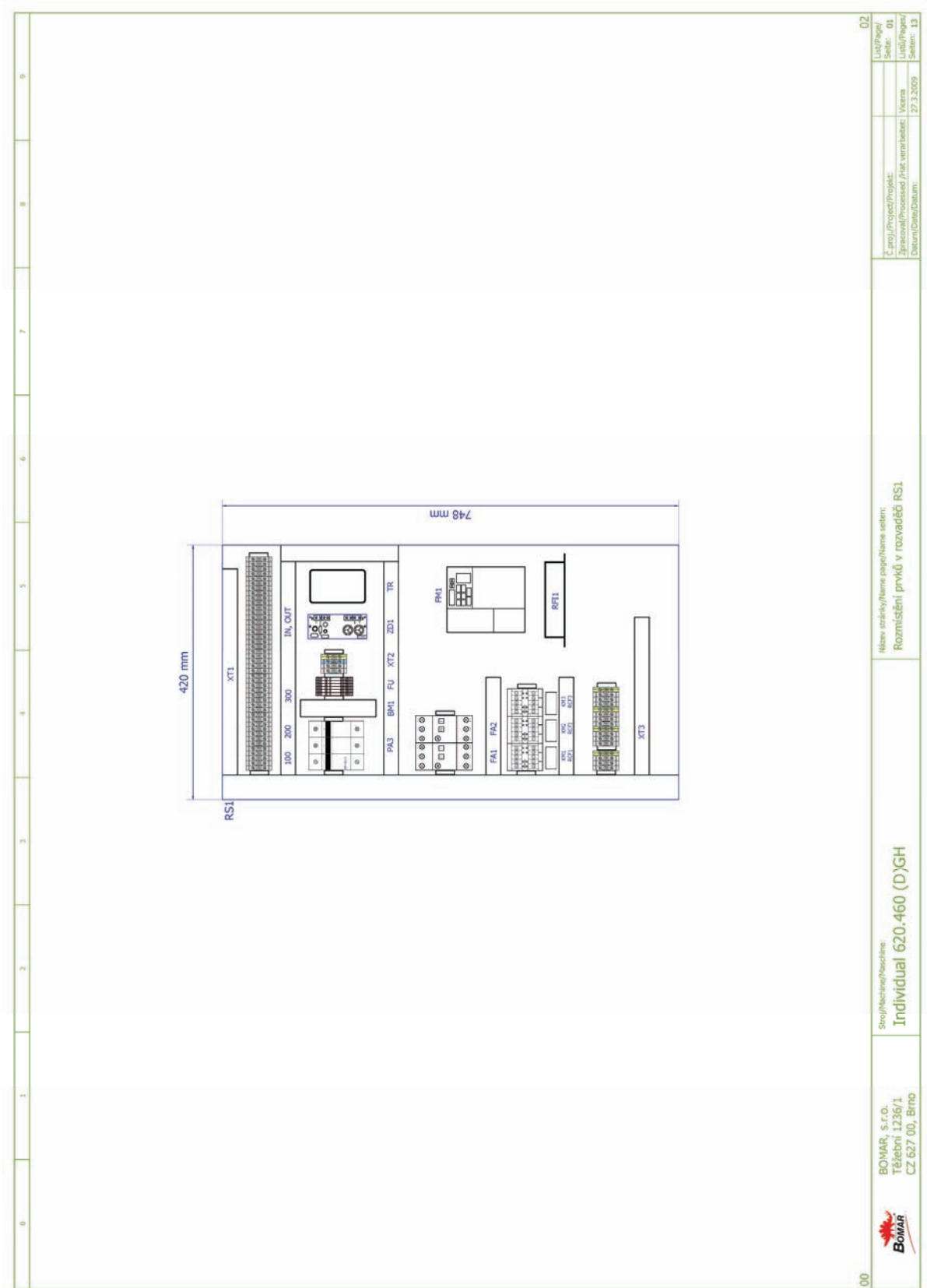
3. Machine
control

4. Machine
service

5. Troubleshooting

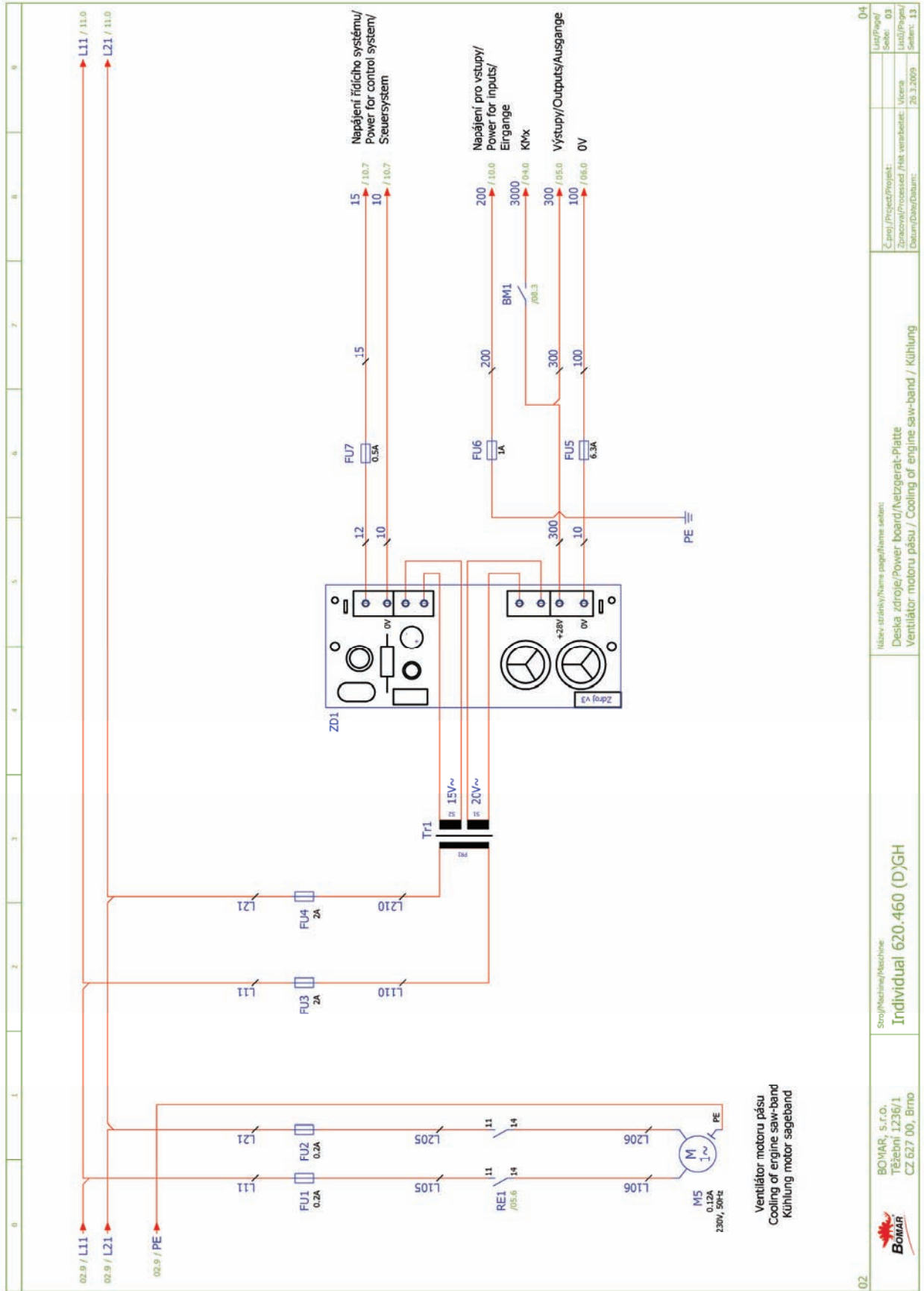
6. Schematics

7. Drawings
and piece lists



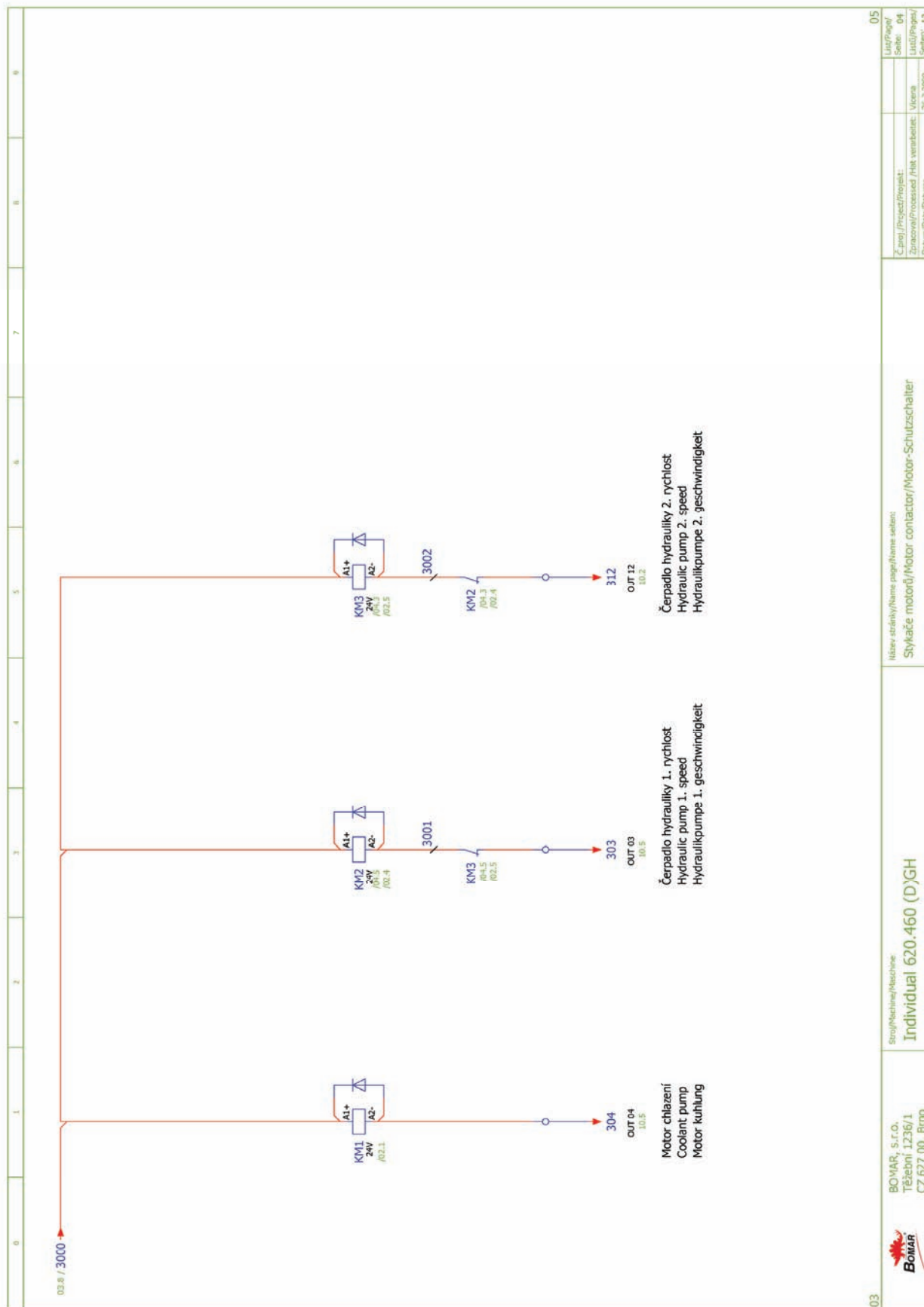
Elektrické schéma / Elektroschema / Wiring diagram 1 –
individual 620.460 DGH, 3×230 V, 50 Hz, TN-C

- 1. Safety notes
- 2. Machine documentation
- 3. Machine control
- 4. Machine service
- 5. Troubleshooting
- 6. Schematics
- 7. Drawings and piece lists



Elektrické schéma / Elektroschema / Wiring diagram 3 – individual 620.460 DGH, 3×230 V, 50 Hz, TN-C

| | |
|---|--|
| 04 | Lístek/Sheet: 03 |
| C:\proj\Project\Projekt: Zpracováno/Processed /Hlt. verstařen: Datum/Date/Datum: | Vice 28.3.2009 Seiten: 13 |
| Háček/strážník/Name angebote/Name select: Deska zdroje/Power board/Netzgerat-Platte Ventilátor motoru pásu / Cooling of engine saw-band / Kühlung | |
| Stroj/Machine/Maschine Individual 620.460 (D)GH | |
| 02 | BOMAR, s.r.o. TEŠEBNÍ 1236/1 CZ 627 00, Brno |



Elektrické schéma / Elektroschema / Wiring diagram 4 – individual 620.460 DGH, 3×230 V, 50 Hz, TN-C

7. Drawings and piece lists

6. Schematics

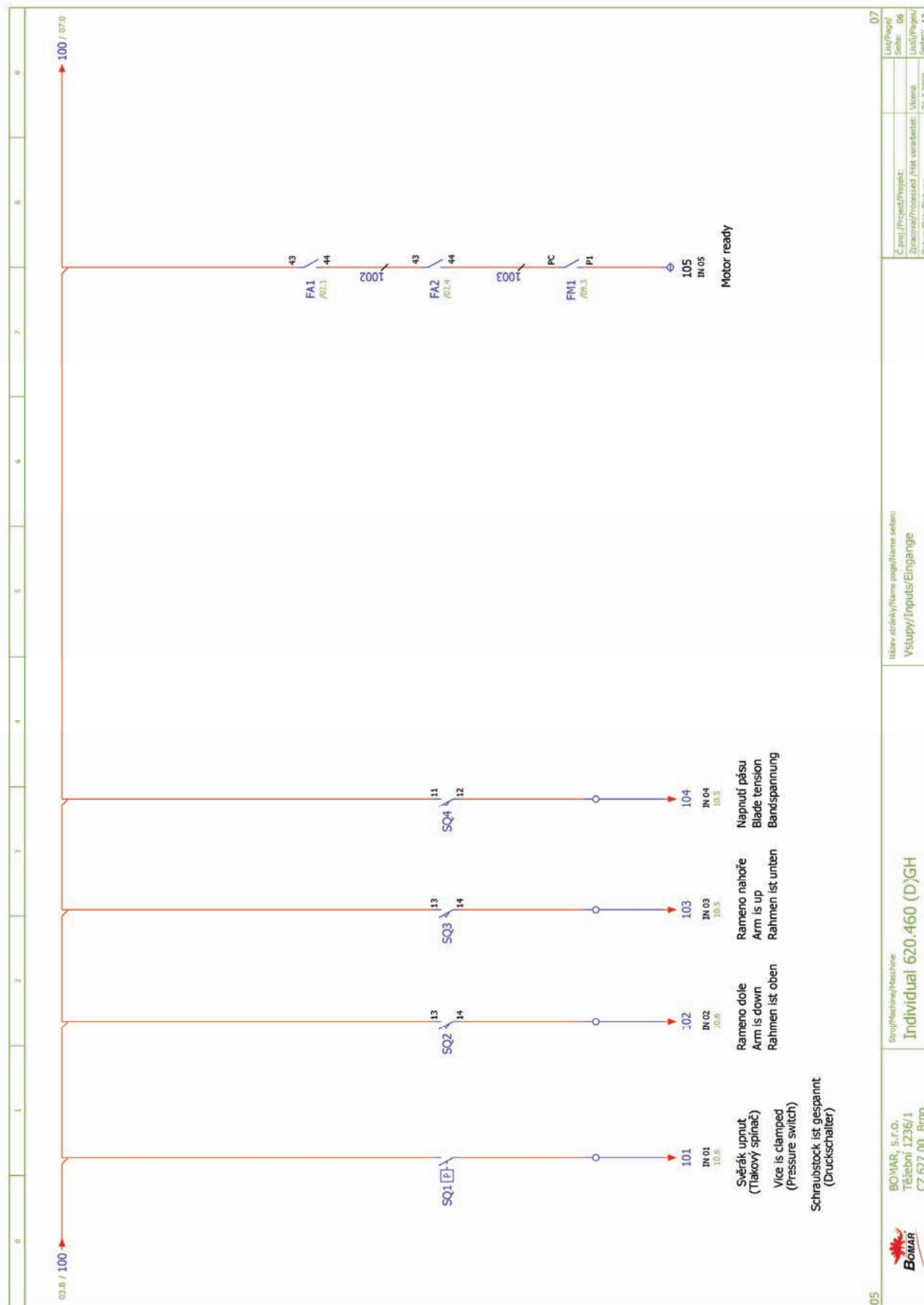
5. Troubleshooting

4. Machine service

3. Machine control

2. Machine documentation

1. Safety notes



Elektrické schéma / Elektroschema / Wiring diagram 6 – individual 620.460 DGH, 3×230 V, 50 Hz, TN-C

1. Safety notes

2. Machine documentation

3. Machine control

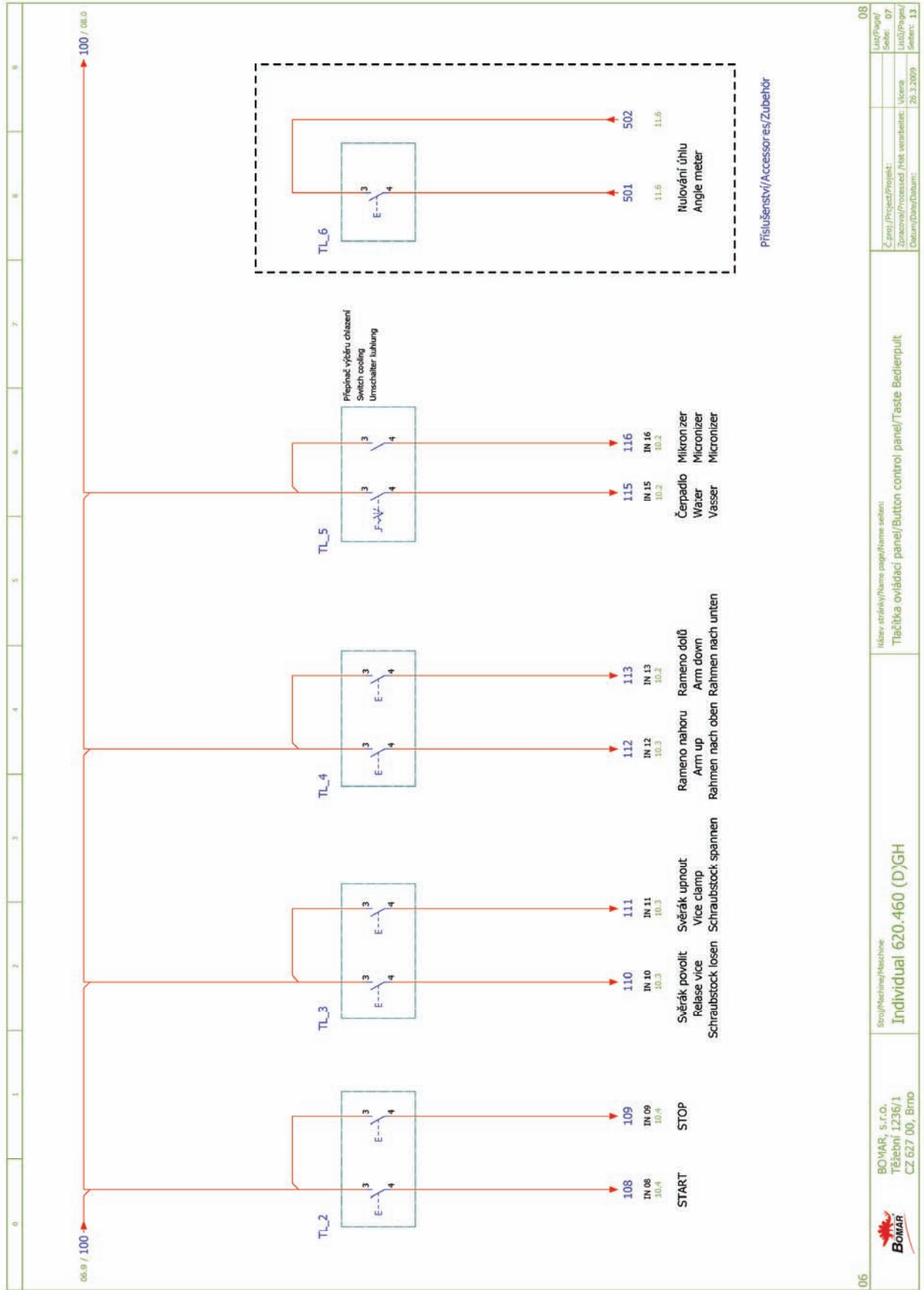
4. Machine service

5. Troubleshooting

6. Schematics

7. Drawings and piece lists

- 1. Safety notes
- 2. Machine documentation
- 3. Machine control
- 4. Machine service
- 5. Troubleshooting
- 6. Schematics
- 7. Drawings and piece lists



Elektrické schéma / Elektroschema / Wiring diagram 7 – individual 620.460 DGH, 3×230 V, 50 Hz, TN-C

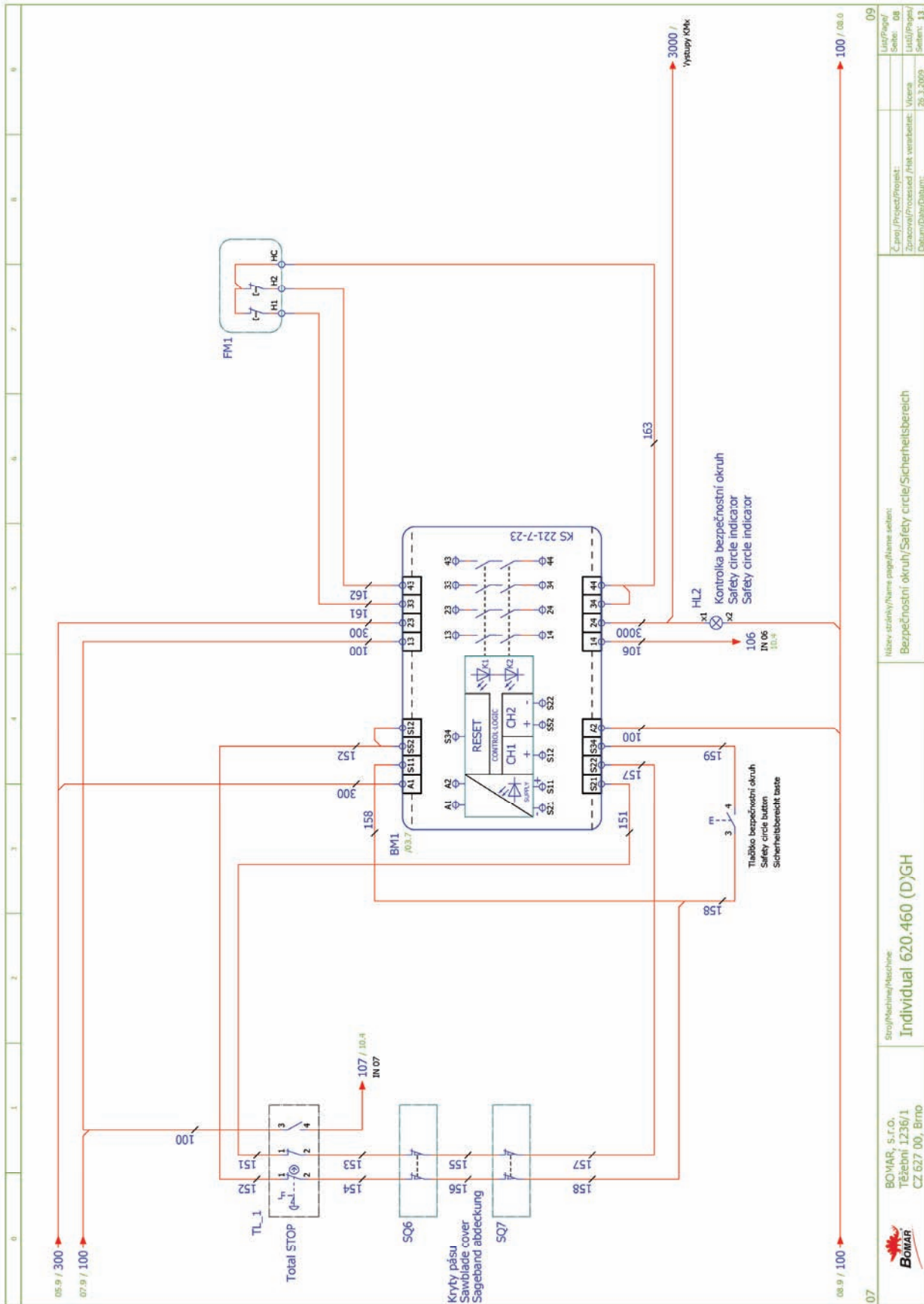
| | |
|----------------------|-----------|
| 08 | 08 |
| Liist/Pages/ | 07 |
| Seite/ | 07 |
| Liist/Projekt/ | |
| Zpracoval/Processed/ | Vicena |
| FMK. vstřebal/ | |
| Datum/Date/Datum: | 26.3.2009 |

Název strojky/Name of the machine:
Tlačítka ovládací paneli/Button control panel/Taste Bedienpult

Stroj/Machine/Machine:
Individual 620.460 (D)GH

BOMAR, s.r.o.
Třebetín 1236/1
CZ 627 00, Brno





Elektrické schéma / Elektroschema / Wiring diagram 8 – individual 620.460 DGH, 3×230 V, 50 Hz, TN-C

7. Drawings and piece lists

6. Schematics

5. Troubleshooting

4. Machine service

3. Machine control

2. Machine documentation

1. Safety notes

1. Safety notes

2. Machine documentation

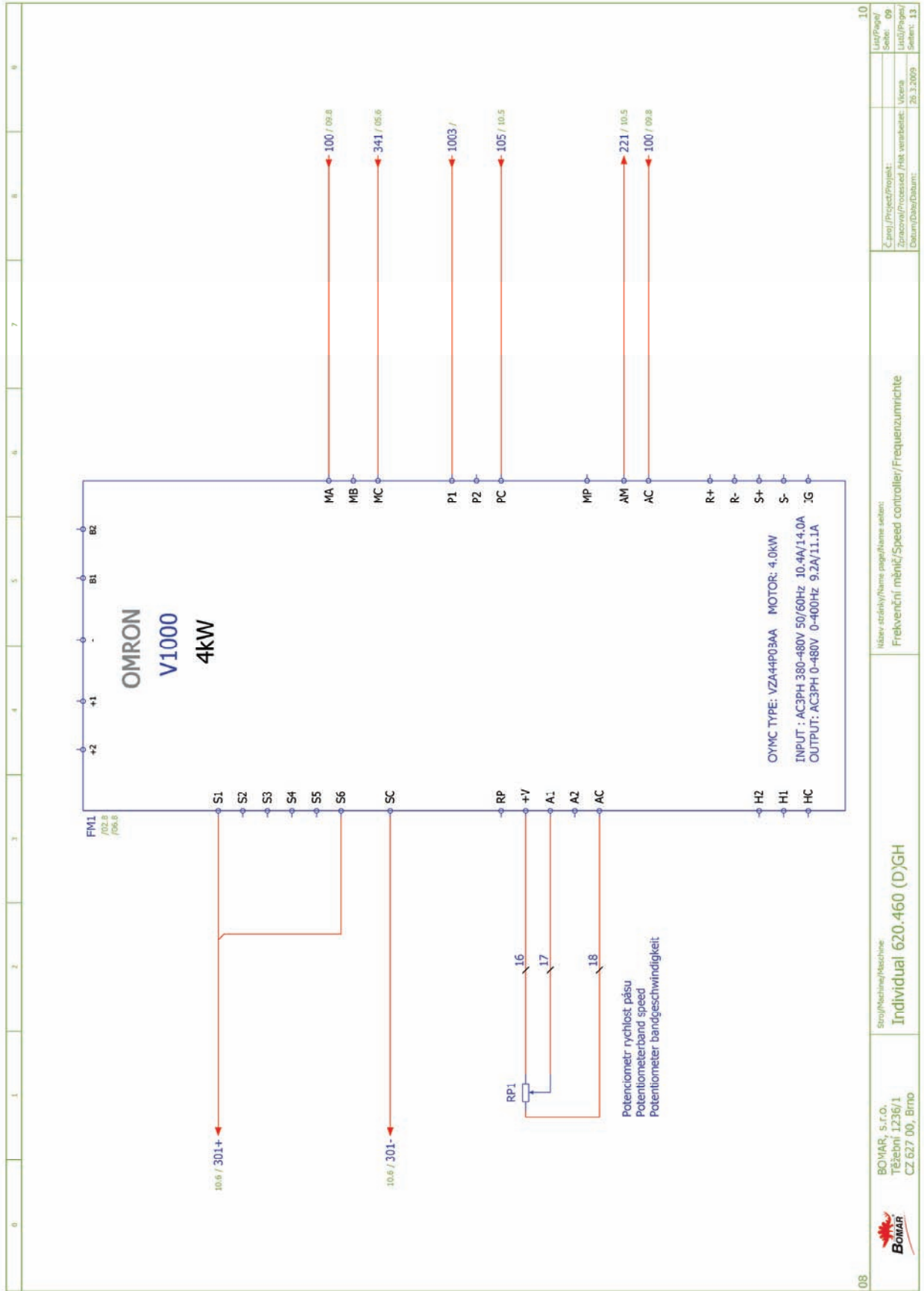
3. Machine control

4. Machine service

5. Troubleshooting

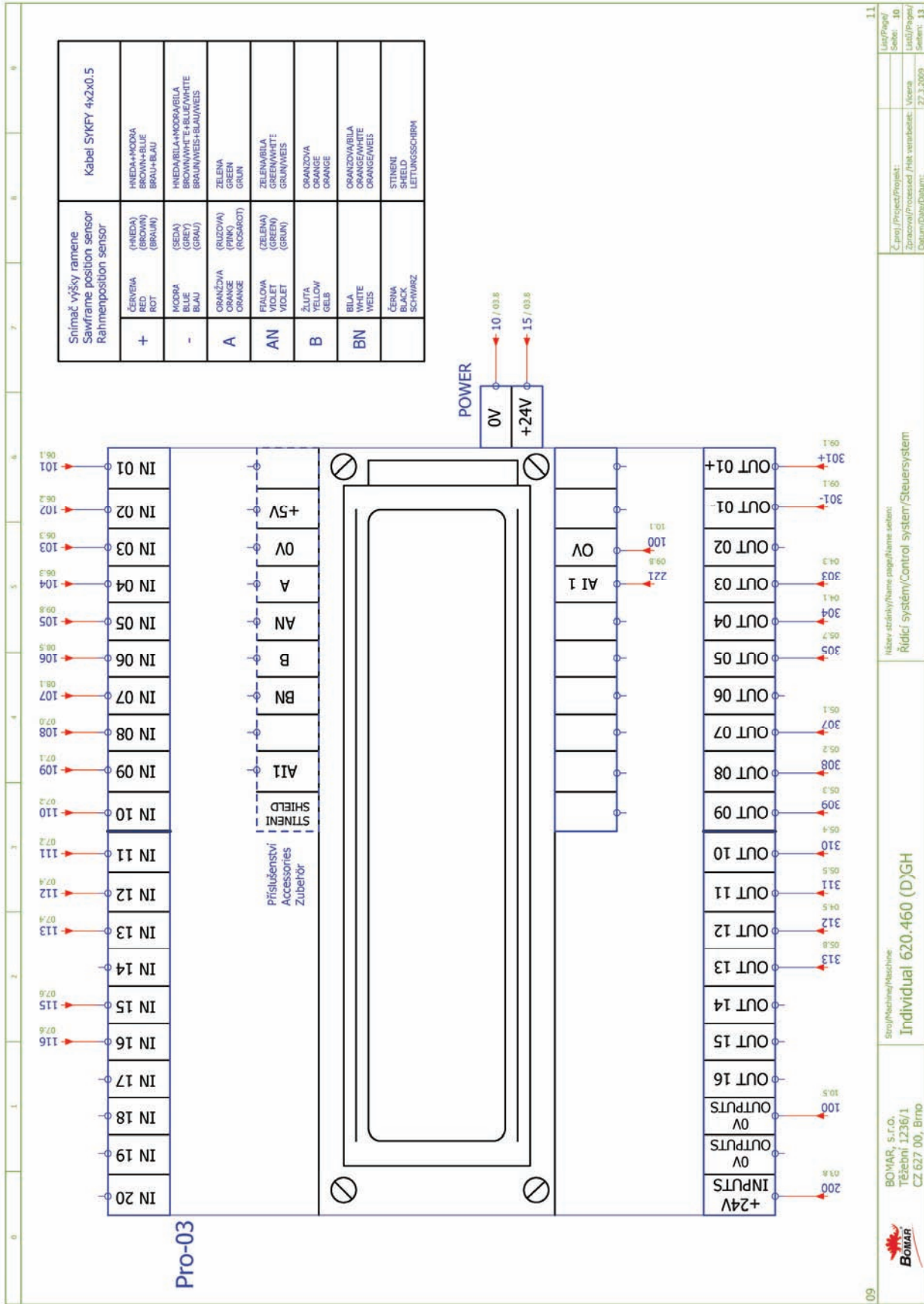
6. Schematics

7. Drawings and piece lists



| | | | | | |
|----|--|--|--|---|---|
| 08 | BOMAR, s.r.o. Třebení 1236/1 CZ 627 00, Brno | Stručná/Machine/Maschine Individual 620.460 (D)GH | Název strojky/Name of the machine Frekvenční měnič/Speed controller/Frequenzumrichter | C. Proj./Projekt/Projekt: Zpracoval/Processed /Hk. zpracoval: Datum/Date/Datum: | 10 List/Page/ Seite: 09 List/Projekt/ Vizura 26.3.2009 Seiten: 13 |
|----|--|--|--|---|---|

Elektrické schéma / Elektroschema / Wiring diagram 9 – individual620.460 DGH, 3×230 V, 50 Hz, TN-C



Elektrické schéma / Elektroschema / Wiring diagram 10 – individual 620.460 DGH, 3×230 V, 50 Hz, TN-C

7. Drawings and piece lists

6. Schematics

5. Troubleshooting

4. Machine service

3. Machine control

2. Machine documentation

1. Safety notes

6.6. Kusovník elektrosoučástí / Stückliste der Elektroteilen / Piece list of electroparts – individual 620.460 DGH, 3×230 V/50 Hz, TN-C

| Ozn. Sign. Sign. | Název položky Bezeichnung Item | | Výrobce Hersteller Producer | Obj.č. Bestell-Nr. Ref. No. |
|------------------------|--|--------------------------|-----------------------------------|-----------------------------------|
| | Lampička / Lämpchen / Lamplet | LBP-B-302, 12 V, 20 W | RNDR Zdeněk Martinásek | 91.100.103 |
| | Laser / Laser / Laser | Laser | | 91.100.105 |
| | Spínací jednotka / Schaltereinheit / Switch unit | M22-K10 | MOELLER | 91.061.022 |
| | Hlavice / Kopf / Jugulum | M22-WRK3 | MOELLER | 91.060.051 |
| | Koncový spínač / Endschalter / Limit switch | QKS8 | KEDU | 91.173.012 |
| | Svorka / Klemme / Clamp | SH 10-5,08 | EUROCLAMP | 91.144.004 |
| BM1 | Bezpečnostní modul / Sicherheit modul / Safety modul | SNA4064K | WIELAND | 91.051.026 |
| DAS D1/140 | Převodník snímače natáčení / Wandler – Positionsgeber / Convertor – Turning sensor | DAS D1/140 | ASTP s.r.o. | 251.163 |
| ELGO | Snímač natáčení / Positionsgeber / Turning sensor | LMIX2-026-08.0-1-01 | ELGO | IFS |
| FA1 | Motorový jistič / Motorschutzschalter / Motor circuit-breaker | GZ1M05, 0,63–1 A | TELEMECANIQUE | 91.235.023 |
| FA1 FA2 | Motorový jistič – Pomocný kontakt / Motorschutzschalter – Hilfskontakt / Motor circuit-breaker – Auxiliary contact | GZ1AN11 | TELEMECANIQUE | 91.046.004 |
| FA2 | Motorový jistič / Motorschutzschalter / Motor circuit-breaker | GZ1M06, 1–1,6 A | TELEMECANIQUE | 91.235.024 |
| FM1 | Frekvenční měnič / Frequenzwandler / Frequency convertor | V1000 43P0, 4 kW | OMRON | 91.012.021 |
| FU1 FU3...FU7 | Pojistkové pouzdro / Röhrensicherung Büchse / Fuse cover | WK4/THSi5 U | WIELAND | 91.251.102 |
| FU1 | Pojistka / Röhrensicherung / Fuse | 0,2A | | |
| FU3 FU4 FU7 | Pojistka / Röhrensicherung / Fuse | 2A | | |
| FU5 | Pojistka / Röhrensicherung / Fuse | 6,3A | | |
| FU6 | Pojistka / Röhrensicherung / Fuse | F1A/250V | ESKA | 91.230.003 |
| HL1 | Signálka zelená / Signallicht grün / Indicator lamp green | M22-LED-G | MOELLER | 91.061.023 |
| HL1 | Hlavice zelená / Kopf grün / Green jugulum | M22-DL-G | MOELLER | 91.060.031 |
| HL2 | Hlavice žlutá / Kopf gelb / Yellow jugulum | M22-DL-Y | MOELLER | 91.060.053 |
| HL2 | Hlavice / Kopf / Jugulum | M22-LED-W | MOELLER | 91.060.030 |
| KM1 | Stykač / Schutzschalter / Contactor | DIL EM-10-G | MOELLER | 91.040.020 |
| KM2 KM3 | Stykač / Schutzschalter / Contactor | DILM12-01, 5,5 kW | MOELLER | 91.040.025 |
| LU-1 | Převodník / Wandler / Convertor – LASER | LU-1 | ASTP s.r.o. | 91.100.101 |

1. Safety notes

2. Machine documentation

3. Machine control

4. Machine service

5. Troubleshooting

6. Schematics

7. Drawings and piece lists

| Ozn. Sign. Sign. | Název položky Bezeichnung Item | | Výrobce Hersteller Producer | Obj.č. Bestell-Nr. Ref. No. |
|-----------------------------|--|--------------------------------|-----------------------------------|-----------------------------------|
| M1 | Čerpadlo chlazení / Kühlmittelpumpe / Coolant pump | 2COP1-12H P1, 50 W, 0,14 A | EmP Slavkov u Brna | IFS |
| M5 | Ventilátor / Ventilator / Ventilator | RAH1278B1-C | XFAN | 91.015.105 |
| PA1 | Pojistkový odpínač / Sicherungs-Trennschalter / Fuse-switch-disconnector | OPV10/3 | OEZ | 91.241.002 |
| PA1 | Pojistka / Röhrensicherung / Fuse | PV10 16A gG | OEZ | 91.230.020 |
| 37956 | Řídicí systém / Steuersystem / Control system | Pro_02 | BOMAR s.r.o. | 265.913 |
| QS1 | Hlavní vypínač / Hauptschalter / Control switch | VCF1-32A | TELEMECANIQUE | 91.170.012 |
| RCF1 RCF2 | Filtr RFC / Filter RFC / Filter RFC | FBOPR1624 | | 91.041.015 |
| RF11 | Filtr / Filter / Filter | A1000-FIV3020-RE, 4 kW | OMRON | 91.012.022 |
| RP1 | Potenciometr / Potentiometer / Potentiometer | TP195 4k7-N20A | TES-Ostrava | 91.283.002 |
| RP1 | Svorka / Klemme / Clamp | Svorka rychloupinací | WIELAND | 91.250.009 |
| SQ2 | Koncový spínač / Endschalter / Limit switch | FM 655 | PIZZATO | IFS |
| SQ3 | Koncový spínač / Endschalter / Limit switch | FM 555-M2 | PIZZATO | IFS |
| SQ4 | Koncový spínač / Endschalter / Limit switch | D4N-4A32 | OMRON | IFS |
| TR2 | Transformátor / Transformator / Transformator | NT-20, 230V/11,5 V, 20VA | RNDR Zdeněk Martinásek | 91.100.104 |
| Total STOP | Rozpínací jednotka / Ausschaltens / Break unit | M22-K01 | MOELLER | 91.061.024 |
| Total STOP | Hlavice / Kopf / Jugulum | M22-PVT 263467 | MOELLER | 91.060.030 |
| Tr1 | Toroidní transformátor / Toroid transformator / Toroid transformator | 150230400201 5 | ELEKTRO-KARBAN s.r.o. | 91.080.026 |
| V1A V1B V2A V2B V3 V7 | Dioda / Diode / Diode | IN5408 | | 91.280.003 |
| ZD1 | Zdroj / Energieversorgung / Source | Zdroj | | |

1. Safety notes

2. Machine
documentation

3. Machine
control

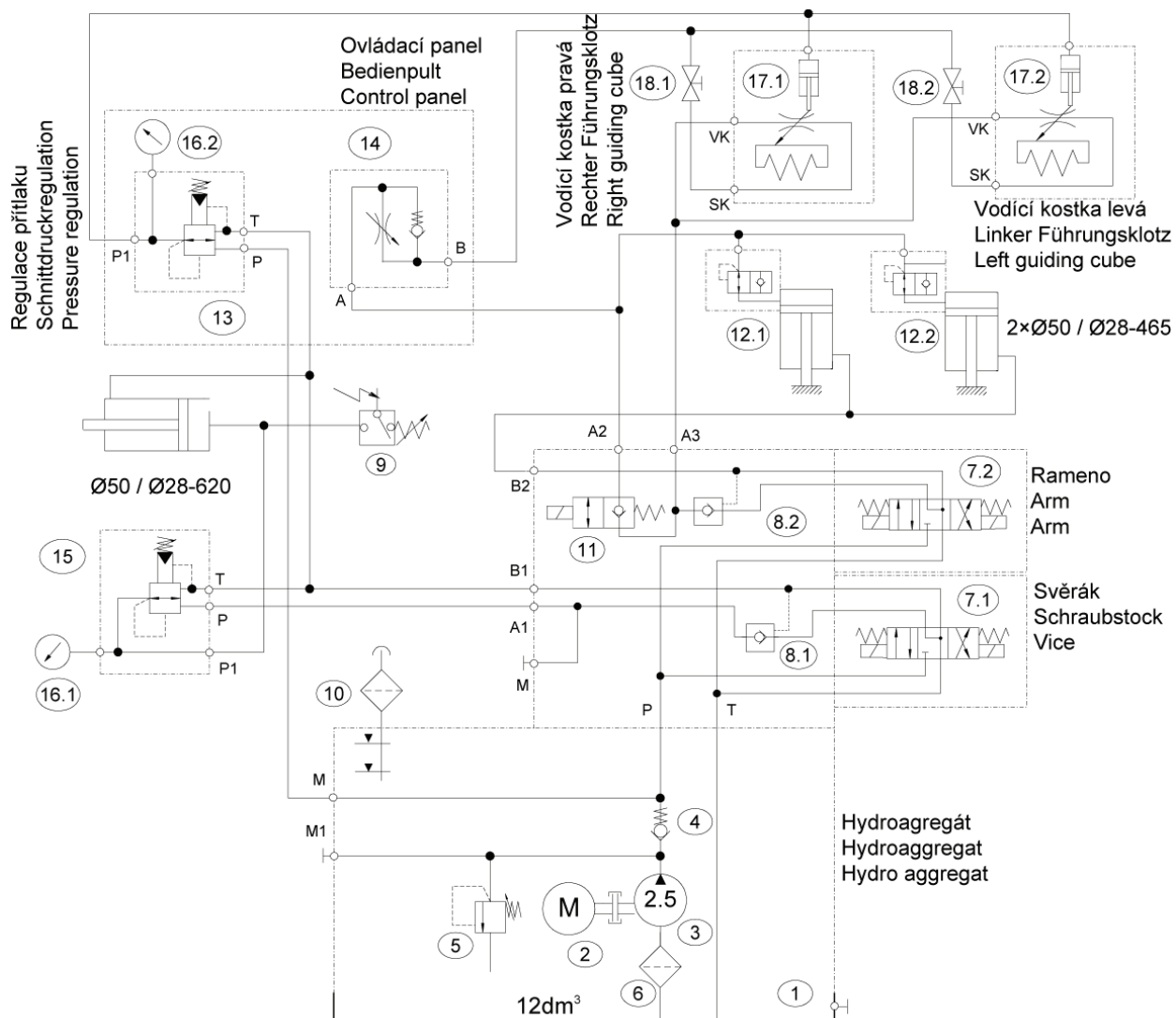
4. Machine
service

5. Troubleshooting

6. Schematics

7. Drawings
and piece lists

6.7. Hydraulické schéma / Hydraulikschema / Hydraulic diagram



Základní technické parametry
Technische Spezifikation
Technical specification

| Typ / Type / Type | Individual 620.460 DGH (TIN7) |
|---|-------------------------------|
| Hydraulický agregát / Hydroaggregat | 870-1394/731-0504 |
| Hydro aggregat | 92.001.021 |
| Neuvedené světlosti / Unerwähnt Lichtbreite | JS6 |
| Unlisted inside diameters | |
| Výstupní šroubení / Ausgangsschraubung | G1/4" |
| Output screwing | |
| p_{max} | 4 Mpa |
| Q | 6,6/3,3 dm ³ /min |
| n | 2800/1400 ot./min |
| P | 0,55/0,37 kW |

Hydraulické schéma / Hydraulikschema / Hydraulic diagram – individual 620.460 DGH

1. Safety notes

2. Machine documentation

3. Machine control

4. Machine service

5. Troubleshooting

6. Schematics

7. Drawings and piece lists

6.8. Kusovník pro hydraulické schéma/ Stückliste / Piece list for hydraulic diagram

| Poz. Pos. Pos. | Název položky Bezeichnung Item | | ks Mng. Pcs. |
|----------------------|---|--|--------------------|
| 1 | Nádrž / Behälter / Tank | N12-B 12 dm ³ | 1 |
| 2 | Elektromotor / Elektromotor / Electromotor | TM80-2/4S 0,55/0,37 kW 400/230 V | 1 |
| 3 | Hydrogenerátor / Hydraulikgenerator / Hydrogenerator | P2-2,5 66017 2,5 cm ³ /rpm | 1 |
| 4 | Jednosměrný ventil / Einwegventil / One-way valve | VJ01-06/SG-1 | 1 |
| 5 | Přepouštěcí ventil / Bypassventil / By pass valve | VPP2-04/S-6 4 MPa | 1 |
| 6 | Sací filtr / Filter / Suction filter | 2SF56/48-0,063 63 µm | 1 |
| 7 | Rozvaděč / Verteilungsventil / Distributor | RPE3-043Y11/02400E1K1 | 2 |
| 8 | Hydraulický zámek / Hydraulisches Schloß / Hydraulic lock | RJV1-05-0 | 2 |
| 9 | Tlakový spínač / Druckschalter / Pressure switch | 0166415031059 20-50 bar | 1 |
| 10 | Nalévací zátka / Einfüllspund / Fill stopper | L1.0406-51 | 1 |
| 11 | Rozvaděč / Verteilungsventil / Distributor | ROE3-042S2/02400E1K1 | 1 |
| 12 | Ventil pojistný / Sicherungsventil / Retaining valve | VPNH 1/4" 92.151.001 | 2 |
| 13 | Redukční ventil / Reduktionsventil / Control valve | VRN2-06/S-6R 92.154.001 | 1 |
| 14 | Škrtící ventil / Drosselventil / Throttle-valve | VS01-04/R2.5-0 92.152.001 | 1 |
| 15 | Redukční ventil / Reduktionsventil / Control valve | VRN2-06/S-6R 92.154.001 | 1 |
| 16 | Manometr / Manometer / Manometer | Ø68 S, 0-6 MPa | 2 |
| 17 | Kostka regulace / Regulationklotz / Regulation cube | 201.6816-100 | 2 |
| 18 | Kulový ventil / Kugelventil / Globe valve | 99.260.004 | 2 |

1. Safety notes

2. Machine
documentation

3. Machine
control

4. Machine
service

5. Troubleshooting

6. Schematics

7. Drawings
and piece lists

1. Safety notes

2. Machine
documentation

3. Machine
control

4. Machine
service

5. Troubleshooting

6. Schematics

7. Drawings
and piece lists

7. Výkresy sestav pro objednání náhradních dílů / Zeichnungen für Bestellung der Ersatzteile / Drawing assemblies for spare parts order

Při objednávání náhradních dílů vždy uvádějte: typ stroje (např. individual 620.460 DGH) , výrobní číslo (např. 125) a rok výroby (např. 1999).

In die Bestellung der Ersatzteile führen Sie immer an: Maschinentyp (z. B. individual 620.460 DGH), Serien Nr. (z. B. 125) und Baujahr (z. B. 1999).

For spare parts order, you must always to allege: type of machine (for example practix 285.230 G manual), serial number (for example 125, see cover page) and year of construction (for example 1999).

1. Safety notes

2. Machine
documentation

3. Machine
control

4. Machine
service

5. Troubleshooting

6. Schematics

7. Drawings
and piece lists

7.1. Pila / Säge / Saw

1. Safety notes

2. Machine documentation

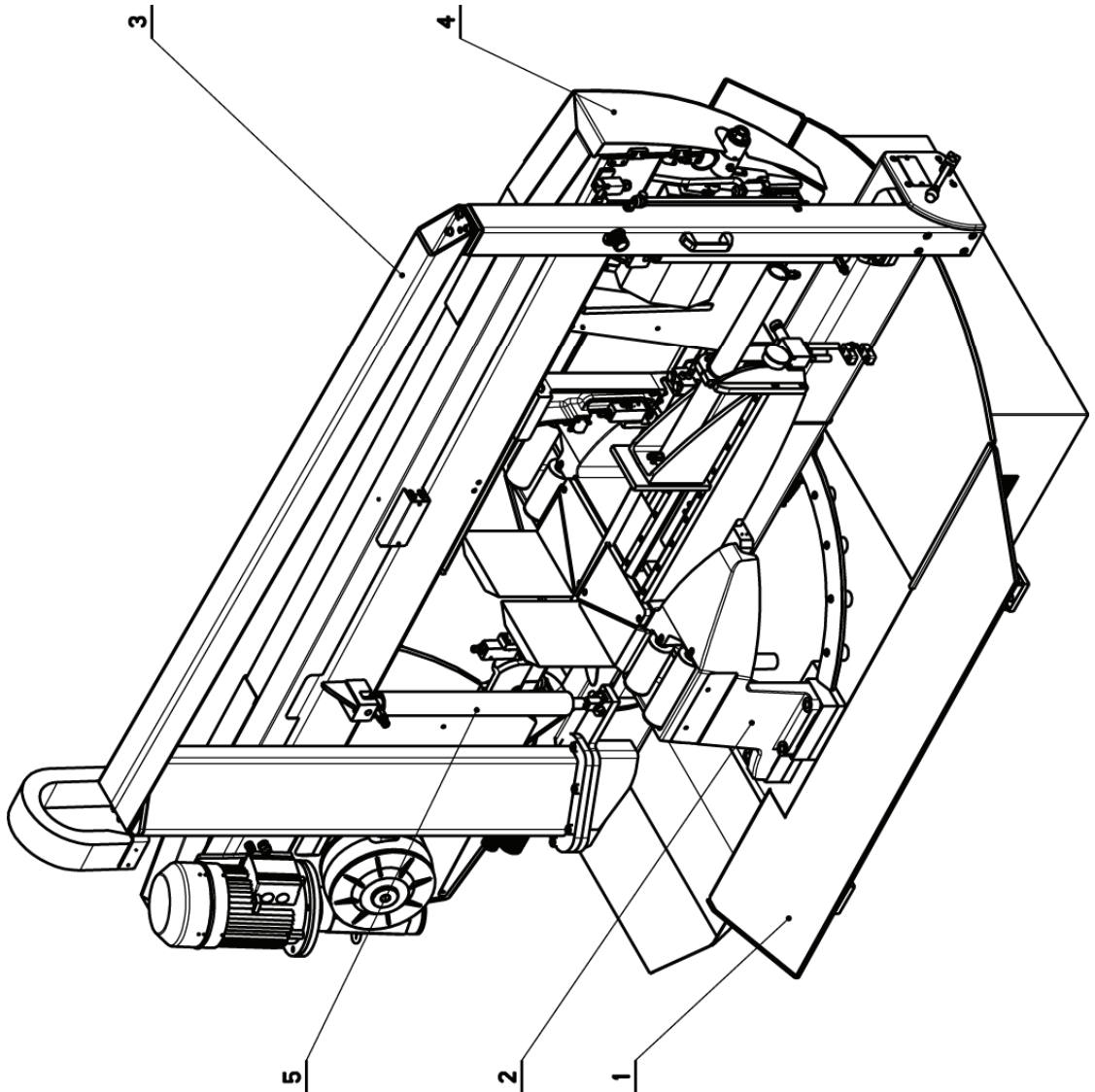
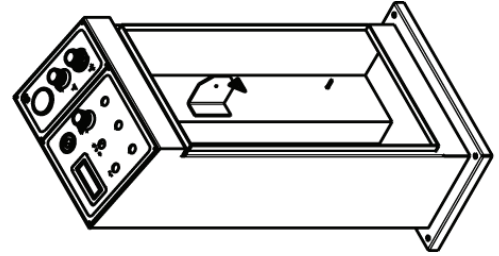
3. Machine control

4. Machine service

5. Troubleshooting

6. Schematics

7. Drawings and piece lists



7.2. Kusovník / Stückliste / Piece list Pila / Säge / Saw

| Poz. Pos. Pos. | Obj. číslo Bestell • Nr. Ref. No. | Název položky Bezeichnung Item | ks Mng. Pcs. |
|----------------------|---|--------------------------------------|--------------------|
| 1 | 201.6030-400 | Rozvaděč / Verteilung / Switchboard | 1 |
| 2 | 201.Y401-000 | Podstavec / Untergestell / Pedestal | 1 |
| 3 | 201.Y402-200 | Konzola / Konsole / Console | 1 |
| 4 | 201.Y404-100 | Rameno / Arm / Arm | 1 |
| 5 | 201.Y407-210 | Válec / Zylinder / Cylinder | 2 |
| 6 | 201.Y409-000 | Svěrák / Schraubstock / Vice | 1 |

1. Safety notes

2. Machine
documentation

3. Machine
control

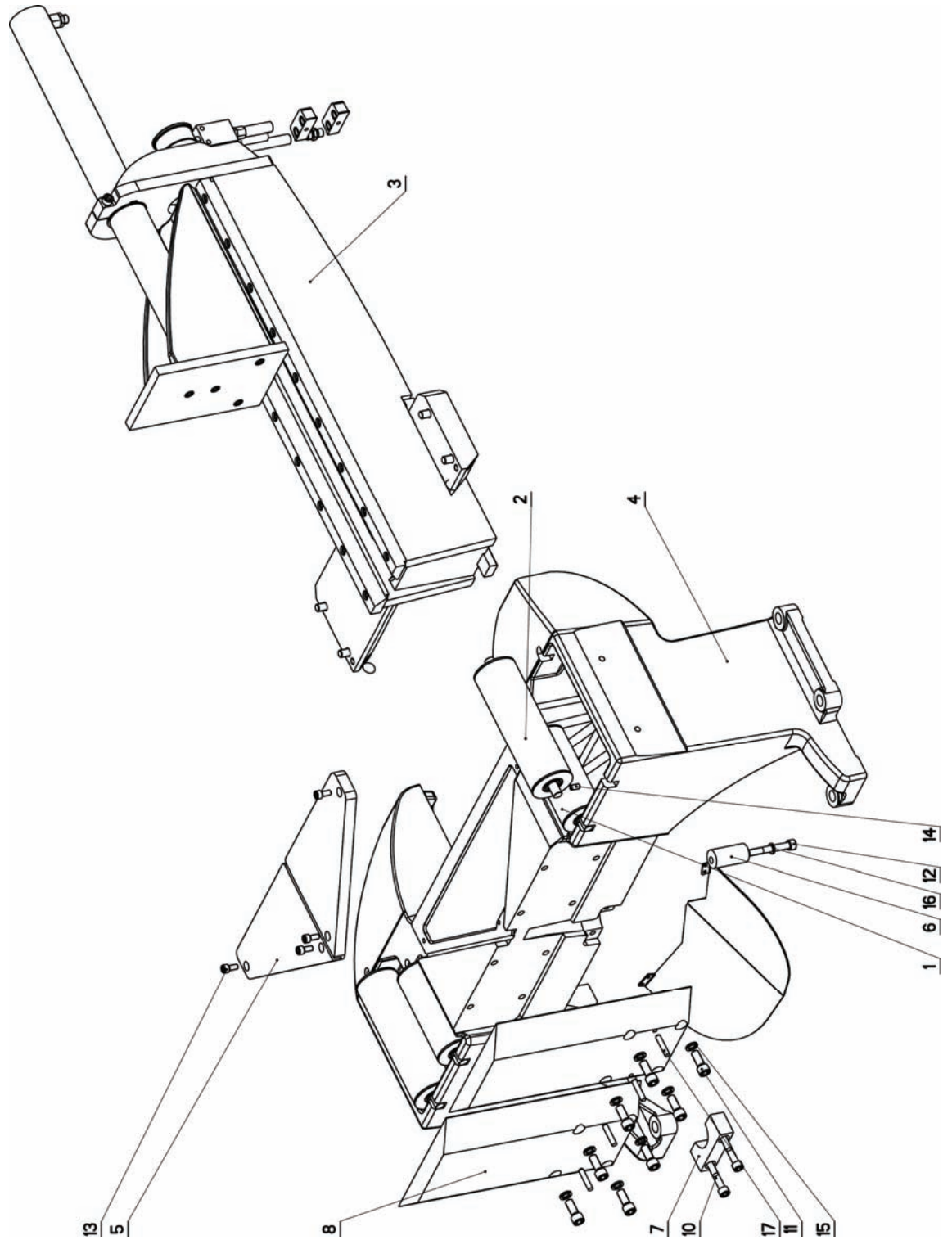
4. Machine
service

5. Troubleshooting

6. Schematics

7. Drawings
and piece lists

7.3. Svěrák / Schraubstock / Vice 1



1. Safety notes

2. Machine documentation

3. Machine control

4. Machine service

5. Troubleshooting

6. Schematics

7. Drawings and piece lists

7.4. Kusovník / Stückliste / Piece list Svěrák / Schraubstock / Vice 1

| Poz. Pos. Pos. | Obj. číslo Bestell - Nr. Reference No. | Název položky Bezeichnung Item | | ks Mng. Pcs. |
|----------------------|--|---|-----------|--------------------|
| 1 | 201.Y317-010 | Váleček / Rolle / Roller | | 2 |
| 2 | 201.Y317-020 | Váleček / Rolle / Roller | | 2 |
| 3 | 201.Y403-000 | Svěrák / Schraubstock / Vice | | 1 |
| 4 | 30.Y309-001 | Podstavec, svěrák / Untergestell, schraubstock / Pedestal, vice | | 1 |
| 5 | 30.Y309-004 | Deska / Platte / Plate | | 1 |
| 6 | 30.Y309-007 | Excentr / Exzenter / Excenter | | 2 |
| 7 | 30.Y309-008 | Příložka / Lasche / Splice plate | | 1 |
| 8 | 30.Y409-002 | Čelist pevná / Feste Backe / Fixed jaw 2 | | 2 |
| 9 | 30.Y414-002 | Skruz / Rutsch / Glide | | 1 |
| 10 | 90.001.25.053 | Šroub / Schraube / Screw | M10x55 | 2 |
| 11 | 90.001.25.058 | Šroub / Schraube / Screw | M12x30 | 8 |
| 12 | 90.001.25.103 | Šroub / Schraube / Screw | M10x75 | 2 |
| 13 | 90.001.25.105 | Šroub / Schraube / Screw | M8x18 | 4 |
| 14 | 90.002.2D.012 | Stavěcí kužel / Stellkegel / Adjusting cone | M8x16 | 8 |
| 15 | 90.163.00.003 | Podložka / Scheibe / Washer | NORD-LOCK | 8 |
| 16 | 90.163.00.004 | Podložka / Scheibe / Washer | NORD-LOCK | 2 |
| 17 | 90.300.0Z.011 | Kolík válcový / Zylinderstift / Cylindrical pin | 8x40 | 4 |

1. Safety notes

2. Machine
documentation

3. Machine
control

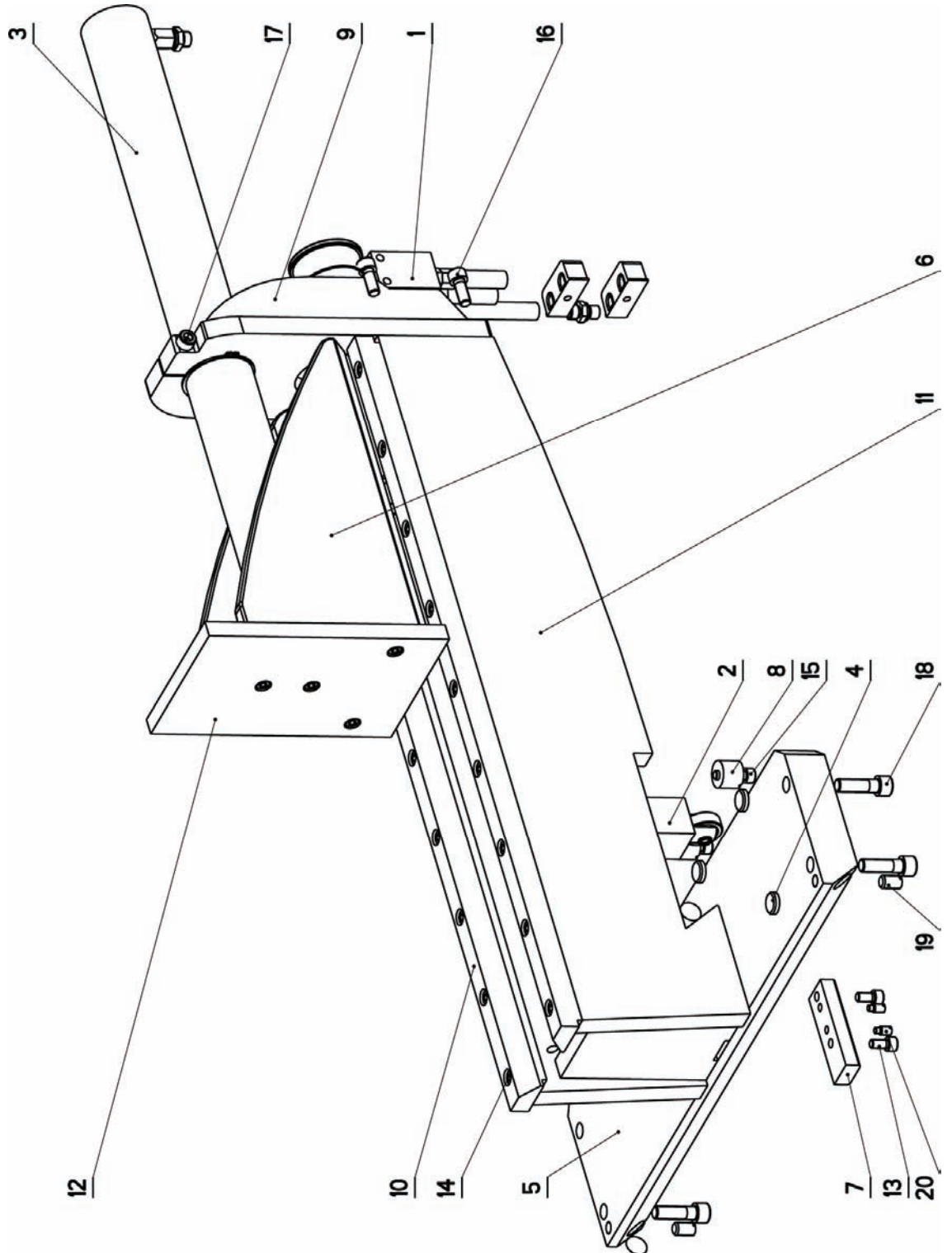
4. Machine
service

5. Troubleshooting

6. Schematics

7. Drawings
and piece lists

7.5. Rameno / Arm / Arm – Svěrák / Schraubstock / Vice 2



1. Safety notes

2. Machine documentation

3. Machine control

4. Machine service

5. Troubleshooting

6. Schematics

7. Drawings and piece lists

7.6. Kusovník / Stückliste / Piece list Svěrák / Schraubstock / Vice 2

| Poz. Pos. Pos. | Obj. číslo Bestell • Nr. Ref. No. | Název položky Bezeichnung Item | ks Mng. Pcs. | |
|----------------------|---|---|--------------------|----|
| 1 | 201.2115-200 | Regulace tlaku svěráku /Spandruckregulierung/Vice pressure regulation | 1 | |
| 2 | 201.Y403-010 | Kladka / Rolle / Pulley | 1 | |
| 3 | 201.Y407-030 | Válec svěráku / Schraubstockzylinder / Vice cylinder | 1 | |
| 4 | 30.0509-608 | Třecí podložka / Reibscheibe / friction washer | 4 | |
| 5 | 30.Y303-001 | Vedení / Führung / Guide | 1 | |
| 6 | 30.Y303-005 | Čelist / Backe / Jaw | 1 | |
| 7 | 30.Y303-010 | Deska / Platte / Plate | 1 | |
| 8 | 30.Y303-011 | Excentr / Exzenter / Excenter | 2 | |
| 9 | 30.Y303-104 | Držák válce / Halter / Cylinder holder | 1 | |
| 10 | 30.Y403-002 | Lišta svěráku / Schraubstockleiste / Vice listel | 2 | |
| 11 | 30.Y403-003 | Svěrák / Schraubstock / Vice | 1 | |
| 12 | 30.Y403-007 | Čelist / Backe / Jaw | 1 | |
| 13 | 90.001.25.031 | Šroub / Schraube / Screw | M8x16 | 2 |
| 14 | 90.001.25.032 | Šroub / Schraube / Screw | M8x20 | 22 |
| 15 | 90.001.25.034 | Šroub / Schraube / Screw | M8x30 | 2 |
| 16 | 90.001.25.049 | Šroub / Schraube / Screw | M10x35 | 4 |
| 17 | 90.001.25.054 | Šroub / Schraube / Screw | M10x60 | 1 |
| 18 | 90.001.25.060 | Šroub / Schraube / Screw | M12x40 | 4 |
| 19 | 90.002.2D.018 | Stavěcí kužel / Stellkegel / Adjusting cone | M12x20 | 2 |
| 20 | 90.004.2D.008 | Šroub stavěcí / Stellschraube / Setscrew | M8x16 | 2 |

1. Safety notes

2. Machine
documentation

3. Machine
control

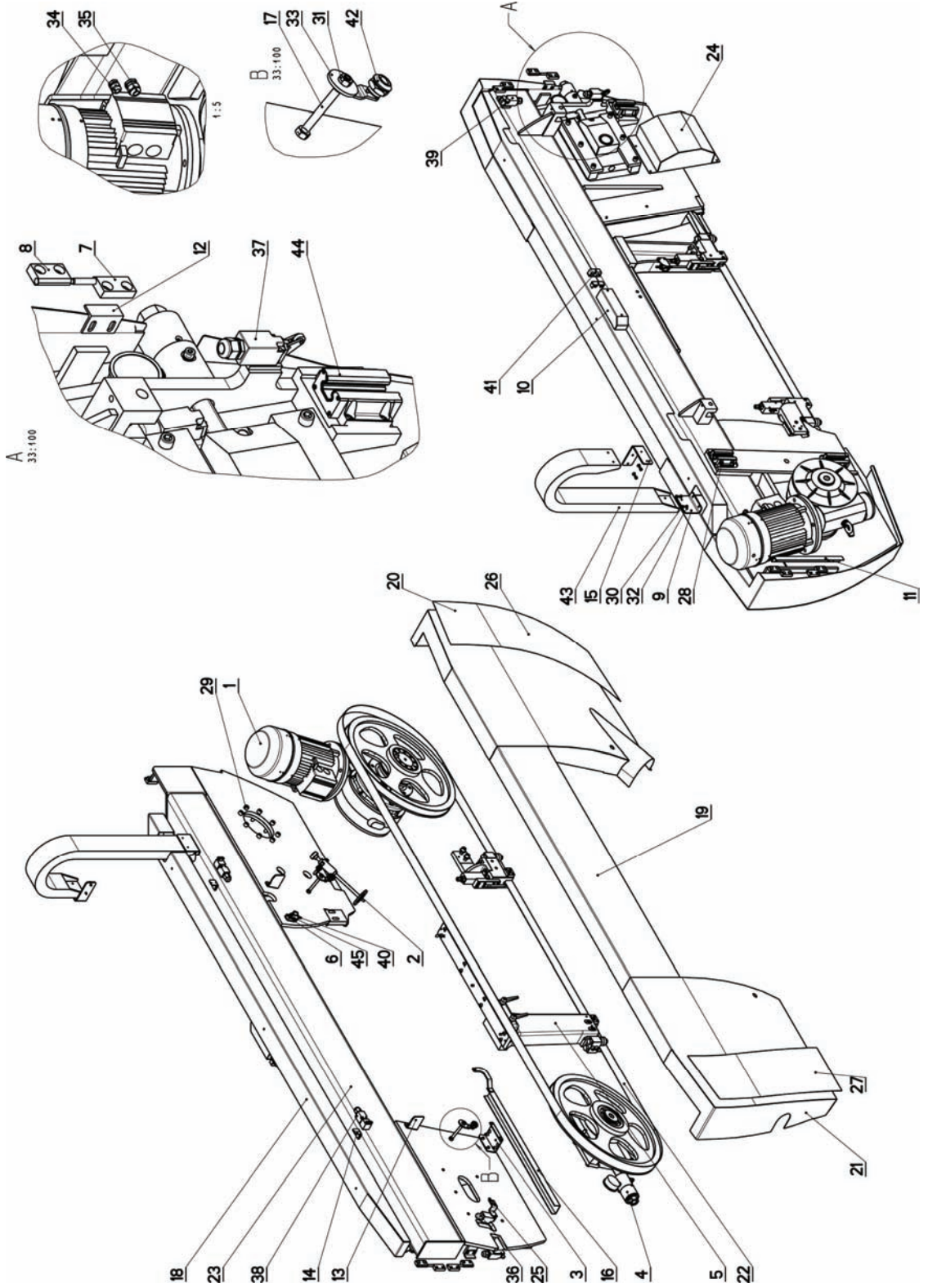
4. Machine
service

5. Troubleshooting

6. Schematics

7. Drawings
and piece lists

7.7. Rameno / Arm / Arm



1. Safety notes

2. Machine documentation

3. Machine control

4. Machine service

5. Troubleshooting

6. Schematics

7. Drawings and piece lists

7.8. Kusovník / Stückliste / Piece list Rameno / Arm / Arm

| Poz. Pos. Pos. | Obj. číslo Bestell - Nr. Reference No. | Název položky Bezeichnung Item | | ks Mng. Pcs. |
|----------------------|--|--|------------|--------------------|
| 1 | 201.6005-400 | Pohon / Antrieb / Drive | | 1 |
| 2 | 201.9214-300 | Kartáček / Bürste / Brush | | 1 |
| 3 | 201.Y404-070 | Vedení krytu / Deckelführung / Cover guide | | 1 |
| 4 | 201.Y408-000 | Napínání / Spannung / Stretching | | 1 |
| 5 | 201.Y410-000 | Vedení pásu / Sägebandführung / Band guiding | | 1 |
| 6 | 30.1814-011 | Držák ventilu / Ventilhalter / Valve holder | | 1 |
| 7 | 30.6014-109 | Pant / Türband / Hinge | | 4 |
| 8 | 30.6014-110 | Deska / Platte / Plate | | 4 |
| 9 | 30.7114-142 | Držák / Halter / Holder | | 1 |
| 10 | 30.8914-220 | Kryt / Deckel / Cover | | 1 |
| 11 | 30.Y304-033 | Držák, zadní kryt / Halter, hinterer Deckel / Holder, rear cover | | 1 |
| 12 | 30.Y304-034 | Držák, přední kryt / Halter, Frontabdeckung / Holder, front cover | | 1 |
| 13 | 30.Y304-038 | Zapadka / Klinke / Ratchet | | 2 |
| 14 | 30.Y304-039 | Držák snímače / Fühlerhalter / Sensor holder | | 2 |
| 15 | 30.Y404-005 | Držák / Halter / Holder | | 1 |
| 16 | 30.Y404-009 | Kryt pásu / Sägebandabdeckung / Saw band cover | | 1 |
| 17 | 30.Y404-018 | Závitová tyč / Gewindestange / Screwed bar | | 2 |
| 18 | 30.Y404-019 | Kryt / Deckel / Cover | | 1 |
| 19 | 30.Y404-022 | Kryt / Deckel / Cover | | 1 |
| 20 | 30.Y404-031 | Kryt ramene / Rahmendeckel / Arm cover | | 1 |
| 21 | 30.Y404-032 | Kryt ramene / Rahmendeckel / Arm cover | | 1 |
| 22 | 30.Y404-046 | Pás / Band / Band 330 | | 1 |
| 23 | 30.Y404-101 | Rameno / Arm / Arm | | 1 |
| 24 | 30.Y404-103 | Kryt / Deckel / Cover | | 1 |
| 25 | 30.Y504-003 | Držák / Halter / Holder | | 1 |
| 26 | 31.Y404-036 | Samolepka, kryt Z / Aufkleber, Deckel Z / Self-adhesive label, Cover Z | | 1 |
| 27 | 31.Y404-037 | Samolepka, kryt P / Aufkleber, Deckel P / Self-adhesive label, Cover P | | 1 |
| 28 | 90.001.25.033 | Šroub / Schraube / Screw | M8x25 | 8 |
| 29 | 90.001.25.062 | Šroub / Schraube / Screw | M12x50 | 8 |
| 30 | 90.001.25.092 | Šroub / Schraube / Screw | M6x14 | 4 |
| 31 | 90.100.55.006 | Matice / Mutter / Nut | M10 DIN934 | 6 |
| 32 | 90.150.50.004 | Podložka / Scheibe / Washer | Ø6,4 | 4 |

1. Safety notes

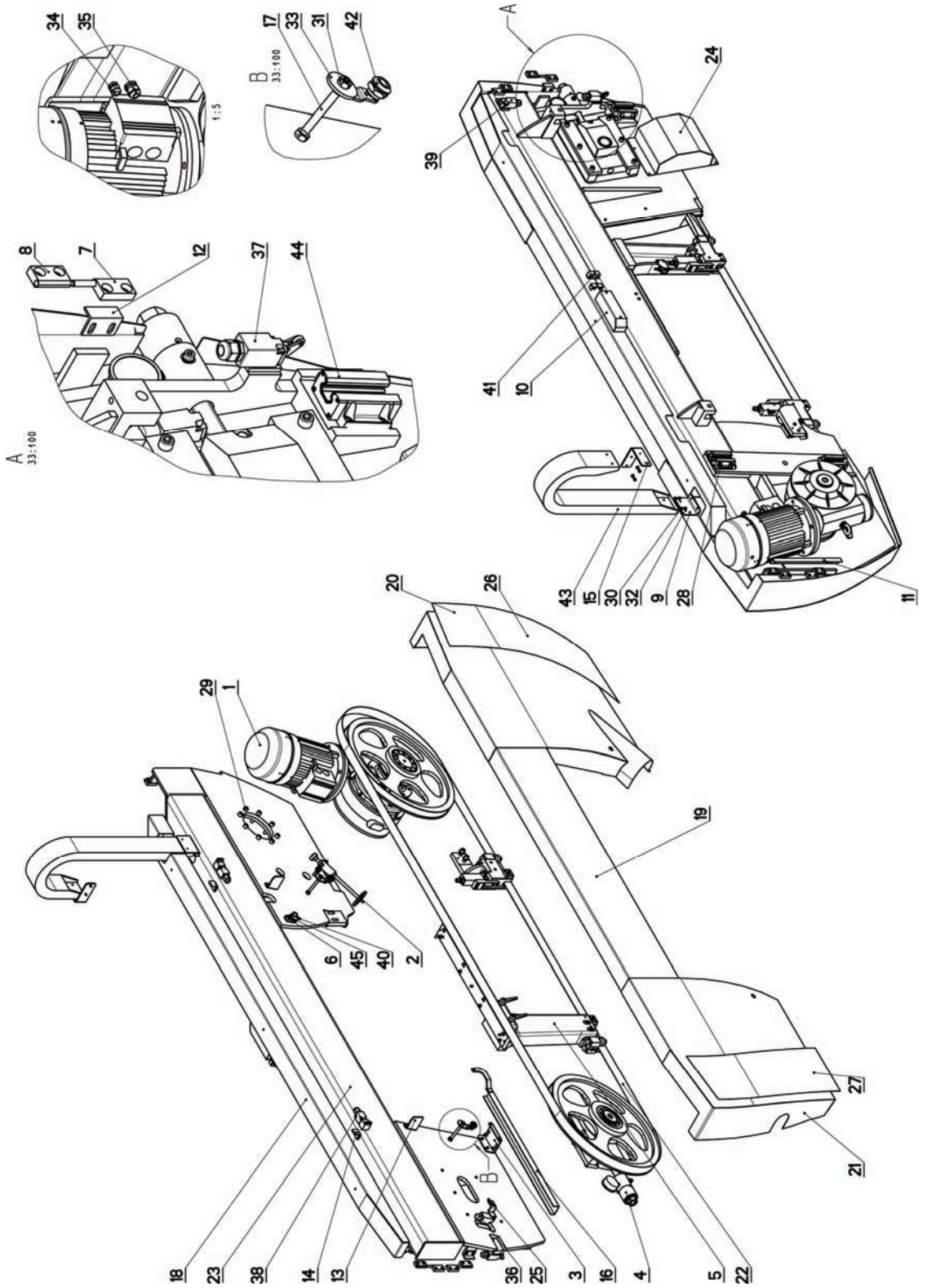
2. Machine
documentation3. Machine
control4. Machine
service

5. Troubleshooting

6. Schematics

7. Drawings
and piece lists

7.9. Rameno / Arm / Arm



1. Safety notes

2. Machine documentation

3. Machine control

4. Machine service

5. Troubleshooting

6. Schematics

7. Drawings and piece lists

7.10. Kusovník / Stückliste / Piece list Rameno / Arm / Arm

| Poz. Pos. Pos. | Obj. číslo Bestell - Nr. Reference No. | Název položky Bezeichnung Item | | ks Mng. Pcs. |
|----------------------|--|--|----------------------|--------------------|
| 33 | 90.151.50.002 | Podložka / Scheibe / Washer | Ø12 | 2 |
| 34 | 91.070.011 | Vývodka / Ausführung / Bushing | M16x1.5 | 1 |
| 35 | 91.070.012 | Vývodka / Ausführung / Bushing | M20x1.5 | 1 |
| 36 | 91.173.007 | Koncový spínač / Endschalter / Limit switch | | 1 |
| 37 | 91.173.009 | Koncový spínač / Endschalter / Limit switch | | 1 |
| 38 | 91.173.012 | Spínač koncový / Endshalter / Limit switch | QKS8-2xNC | 2 |
| 39 | 91.173.017 | Koncový spínač / Endschalter / Limit switch | FR 630 | 1 |
| 40 | 94.202.002 | Redukce / Reduktion / Reduction | 6/R1/4" | 2 |
| 41 | 94.204.005 | Držák hadice / Schlauchhalter / Hose holder | LBG 14/14-PP | 2 |
| 42 | 99.104.002 | Zámek / Schloß / Lock | | 2 |
| 43 | 99.170.001 | Řetěz energie / Kabelschlepper / Cable tug | EFK.0555-030.075.100 | 1 |
| 44 | 99.201.007 | Vozík, lineární vedení / Wagen, Linearführung / Carriage, Linear Guiding | HGW30CC | 3 |
| 45 | 99.260.003 | Ventil kulový / Kugelventil / Ball valve | 1/4" | 1 |

1. Safety notes

2. Machine
documentation

3. Machine
control

4. Machine
service

5. Troubleshooting

6. Schematics

7. Drawings
and piece lists

7.11. Pohon pilového pásu / Sägebandantrieb / Saw band driving

1. Safety notes

2. Machine documentation

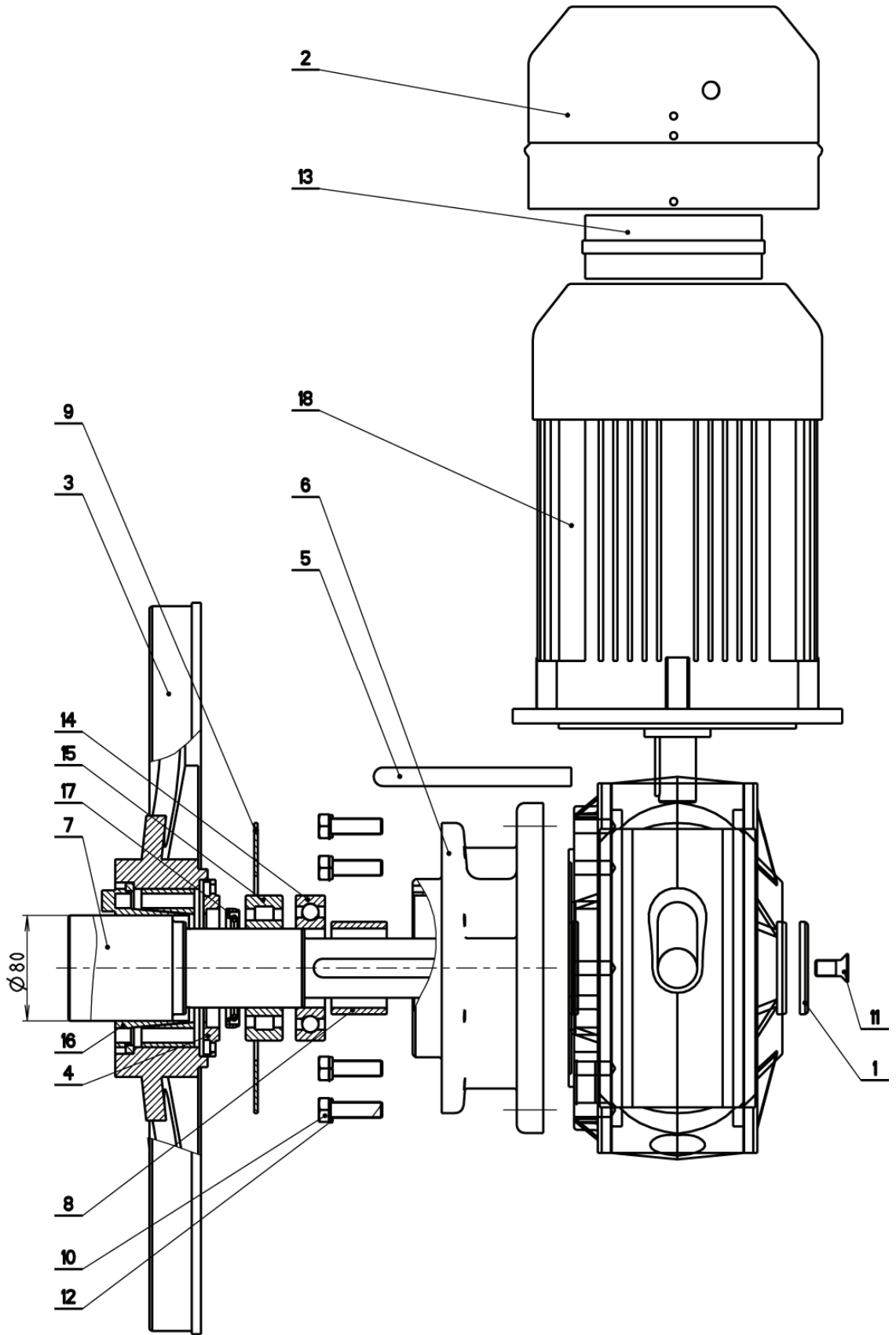
3. Machine control

4. Machine service

5. Troubleshooting

6. Schematics

7. Drawings and piece lists



7.12. Kusovník / Stückliste / Piece list Pohon pilového pásu / Sägebandantrieb / Saw band driving

| Poz. Pos. Pos. | Obj. číslo Bestell - Nr. Ref. No. | Název položky Bezeichnung Item | | ks Mng. Pcs. |
|----------------------|---|---|-------------------|--------------------|
| 1 | 30.1804-010 | Podložka / Scheibe / Washer | | 1 |
| 2 | 30.4304-018 | Ventilátor / Ventilator / Ventilator | | 1 |
| 3 | 30.6005-001 | Kolo hnací / Antriebsrad / Driving wheel | | 1 |
| 4 | 30.6005-006 | Víko těsnění / Deckel / Sealing cover | | 1 |
| 5 | 30.6105-108 | Pero / Feder / Feather | | 1 |
| 6 | 30.8904-203 | Příruba / Flansche / Flange | | 1 |
| 7 | 30.8904-204 | Hřídel / Welle / Shaft | | 1 |
| 8 | 30.8904-205 | Distanční trubka / Distanzrohr / Distance tube | | 1 |
| 9 | 30.8904-206 | Kroužek distanční / Distanzring / Distance ring | | 1 |
| 10 | 90.005.55.034 | Šroub / Schraube / Screw | M12x40 | 8 |
| 11 | 90.011.27.025 | Šroub / Schraube / Screw | M12x25 | 1 |
| 12 | 90.158.50.009 | Podložka / Scheibe / Washer | Ø12 | 8 |
| 13 | 91.015.100 | Ventilátor / Ventilator / Ventilator | | 1 |
| 14 | 95.001.031 | Kuličkové ložisko / Kugellager / Ball bearing | 6212A | 1 |
| 15 | 95.201.003 | Ložisko / Lager / Bearing | NU | 1 |
| 16 | 95.825.001 | Spojka / Konjunktion / Conjunction CLAMPEX | KTR210-80x120 | 1 |
| 17 | 95.830.006 | Gufero / Dichtung / Sealing | 70x90x10 | 1 |
| 18 | 99.001.074 | Převodovka / Getriebe / Gearbox | VF130P140P112B5V6 | 1 |

1. Safety notes

2. Machine
documentation

3. Machine
control

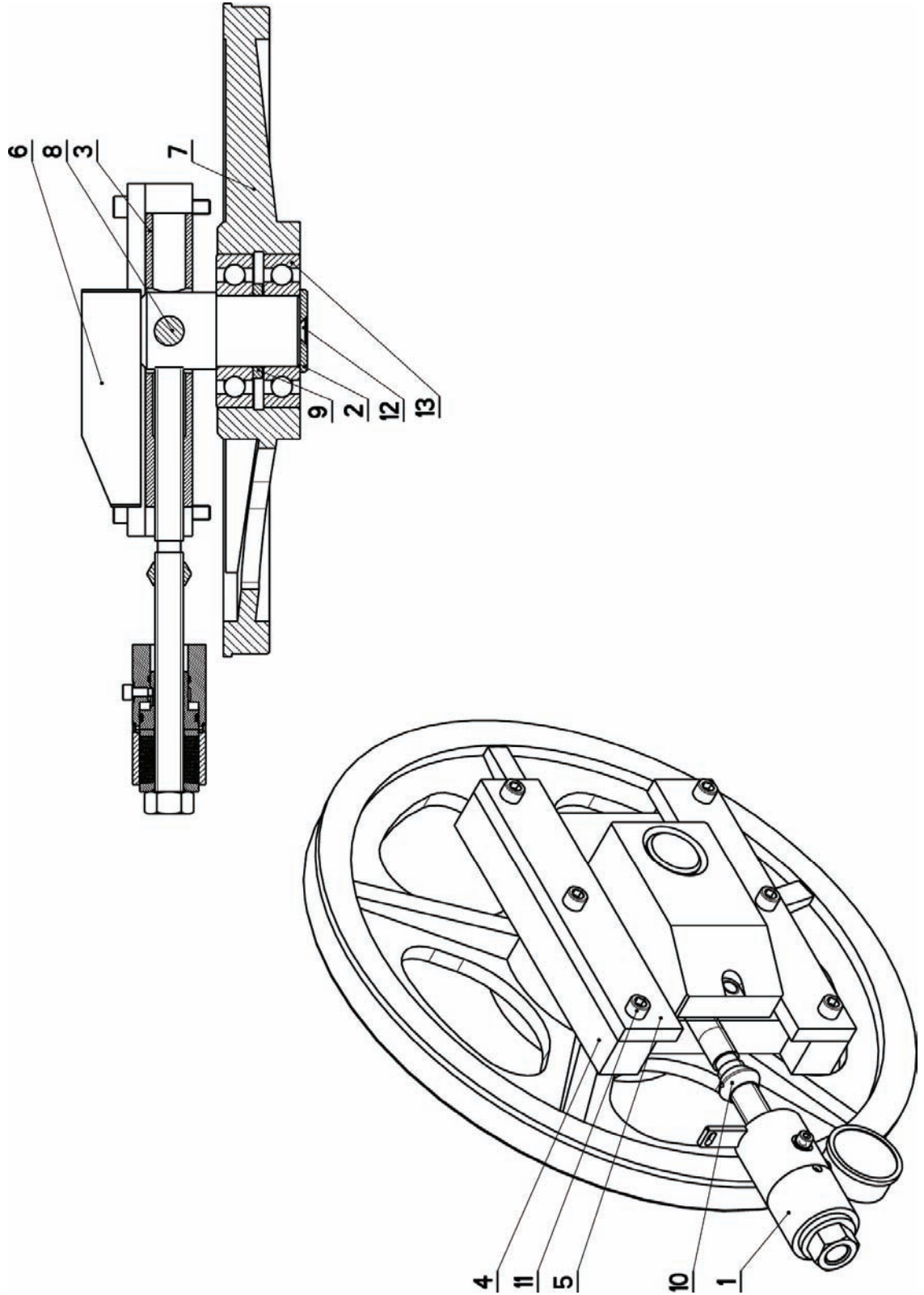
4. Machine
service

5. Troubleshooting

6. Schematics

7. Drawings
and piece lists

7.13. Napínání pilového pásu / Sägebandspannung / Saw band tightening



1. Safety notes

2. Machine documentation

3. Machine control

4. Machine service

5. Troubleshooting

6. Schematics

7. Drawings and piece lists

7.14. Kusovník / Stückliste / Piece list Napínání pilového pásu / Sägebandspannung / Saw band tightening

| Poz. Pos. Pos. | Obj. číslo Bestell - Nr. Ref. No. | Název položky Bezeichnung Item | | ks Mng. Pcs. |
|----------------------|---|--|--------|--------------------|
| 1 | 201.6107-350 | Válec / Zylinder / Cylinder | | 1 |
| 2 | 30.1804-010 | Podložka / Scheibe / Washer | | 1 |
| 3 | 30.6008-001 | Kostka napínání / Bandspannungswürfel / Stretching cube | | 1 |
| 4 | 30.6008-002 | Lišta vodící / Führungsleiste / Guiding listel | | 2 |
| 5 | 30.6008-003 | Lišta vodící / Führungsleiste / Guiding listel | | 2 |
| 6 | 30.6008-004 | Napínání / Spannung / Stretching | | 1 |
| 7 | 30.6008-006 | Kolo napínací / Umlenkrad / Stretching wheel | | 1 |
| 8 | 30.6008-014 | Čep napínání / Spannungsbolzen / Stretching pivot | | 1 |
| 9 | 30.6708-002 | Distanční trubka / Distanzrohr / Distance tube | | 1 |
| 10 | 30.7208-006 | Kroužek měřicí / Meßring / Measuring ring | | 1 |
| 11 | 90.001.25.064 | Šroub / Schraube / Screw | M12x70 | 6 |
| 12 | 90.011.27.009 | Šroub / Schraube / Screw | M12x20 | 1 |
| 13 | 95.001.041 | Kuličkové ložisko / Kugellager / Ball bearing | 6312A | 2 |

1. Safety notes

2. Machine
documentation

3. Machine
control

4. Machine
service

5. Troubleshooting

6. Schematics

7. Drawings
and piece lists

7.15. Vedení pilového pásu / Sägebandführung / Saw band guiding

1. Safety notes

2. Machine documentation

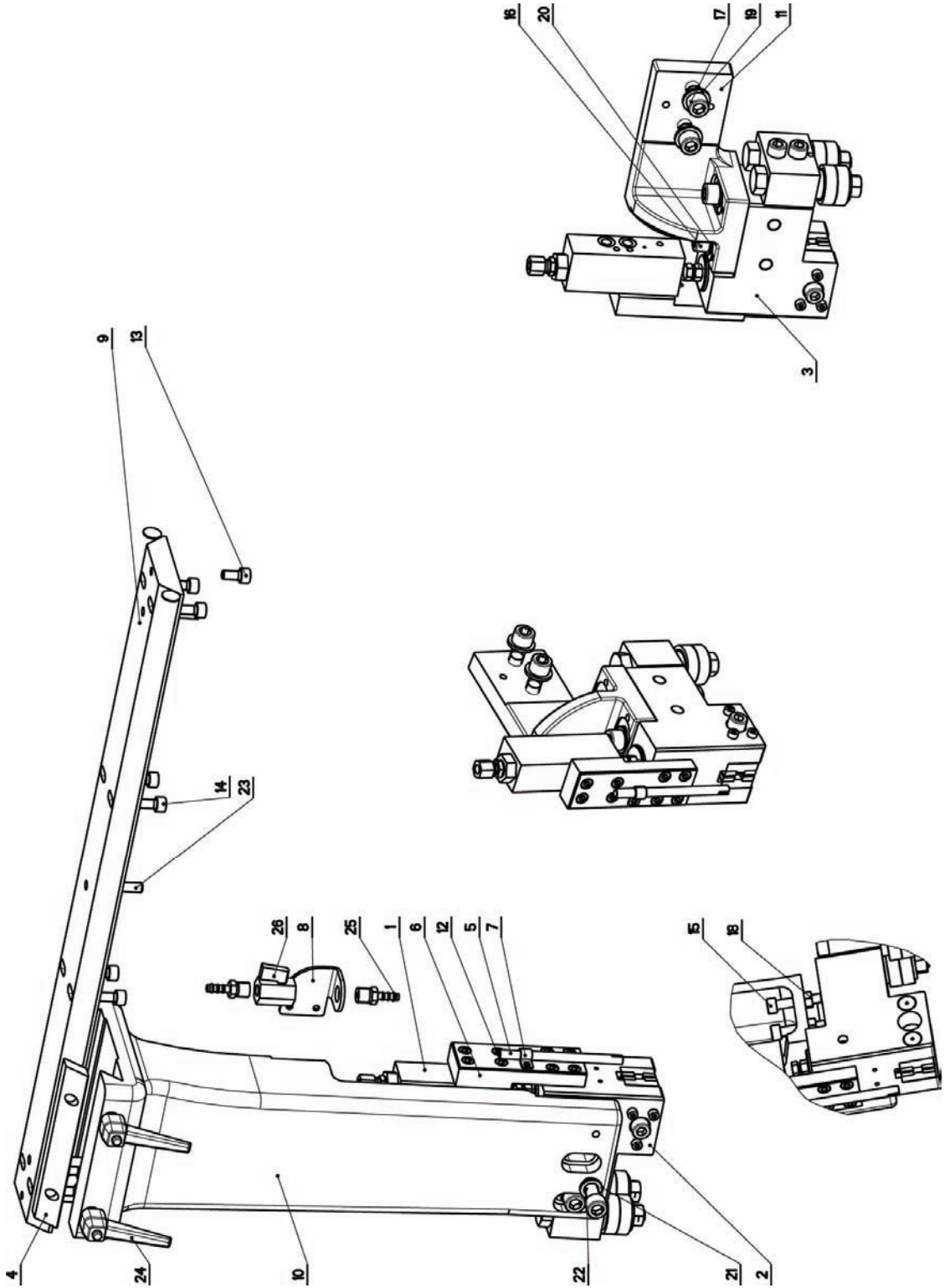
3. Machine control

4. Machine service

5. Troubleshooting

6. Schematics

7. Drawings and piece lists



7.16. Kusovník / Stückliste / Piece list Vedení pilového pásu / Sägebandführung / Saw band guiding

| Poz. Pos. Pos. | Obj. číslo Bestell - Nr. Ref. No. | Název položky Bezeichnung Item | | ks Mng. Pcs. |
|----------------------|---|---|-----------|--------------------|
| 1 | 201.6816-100 | Regulace přítlaku / Schnittdruckregulation / Pressure regulation | | 2 |
| 2 | 201.Y410-100 | Kostka vodící levá / Linke Führungsplatte / Left guiding cube | | 1 |
| 3 | 201.Y410-200 | Kostka vodící / Führungsplatte / Guiding cube | | 1 |
| 4 | 30.0810-011 | Lišta držáku / Leiste / Listel | | 1 |
| 5 | 30.3510-004 | Trubka / Rohr / Tube | | 2 |
| 6 | 30.6016-002 | Deska / Platte / Plate | | 2 |
| 7 | 30.9010-003 | Držák / Halter / Holder | | 2 |
| 8 | 30.Y310-008 | Držák ventilu / Ventilhalter / Valve holder | | 1 |
| 9 | 30.Y410-003 | Lišta / Leiste / Listel | | 1 |
| 10 | 30.Y410-104 | Konzola / Konsole / Console | | 1 |
| 11 | 30.Y410-105 | Držák / Halter / Holder | | 1 |
| 12 | 90.001.25.016 | Šroub / Schraube / Screw | M6x12 | 16 |
| 13 | 90.001.25.031 | Šroub / Schraube / Screw | M8x16 | 2 |
| 14 | 90.001.25.032 | Šroub / Schraube / Screw | M8x20 | 8 |
| 15 | 90.001.25.036 | Šroub / Schraube / Screw | M8x40 | 2 |
| 16 | 90.001.25.058 | Šroub / Schraube / Screw | M12x30 | 4 |
| 17 | 90.001.25.061 | Šroub / Schraube / Screw | M12x45 | 2 |
| 18 | 90.100.55.005 | Matice / Mutter / Nut | M8 | 2 |
| 19 | 90.150.50.007 | Podložka / Scheibe / Washer | Ø13 | 2 |
| 20 | 90.150.50.XXX | Podložka / Scheibe / Washer | ØB13 | 2 |
| 21 | 90.163.00.003 | Podložka / Scheibe / Washer | NORD-LOCK | 2 |
| 22 | 90.300.0Z.007 | Kolík válcový / Zylinderstift / Cylindrical pin | 6x36 | 2 |
| 23 | 90.302.0Z.002 | Kolík válcový / Zylinderstift / Cylindrical pin | 8x30 | 3 |
| 24 | 94.008.003 | Páka montážní / Hebel / Assembly lever | M8x40 | 2 |
| 25 | 94.202.002 | Redukce / Reduktion / Reduction | 6/R1/4" | 2 |
| 26 | 99.260.003 | Ventil kulový / Kugelventil / Ball valve | 1/4" | 1 |

1. Safety notes

2. Machine
documentation3. Machine
control4. Machine
service

5. Troubleshooting

6. Schematics

7. Drawings
and piece lists

7.17. Vodící kostka / Führungsklotz / Guiding cube 1

1. Safety notes

2. Machine documentation

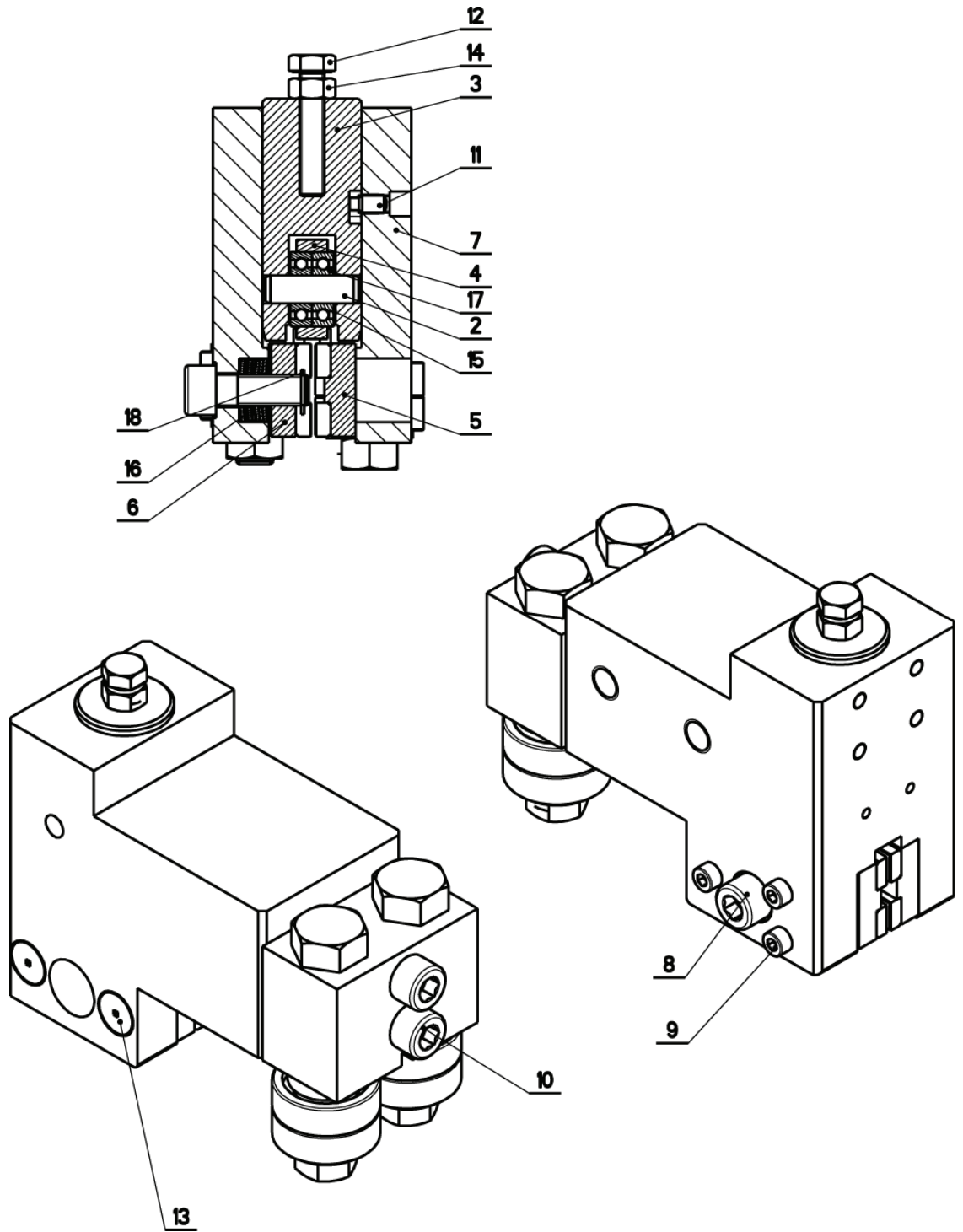
3. Machine control

4. Machine service

5. Troubleshooting

6. Schematics

7. Drawings and piece lists



7.18. Kusovník / Stückliste / Piece list Vodící kostka / Führungsklotz / Guiding cube 1

| Poz. Pos. Pos. | Obj, číslo Bestell - Nr. Reference No. | Název položky Bezeichnung Item | | ks Mng. Pcs. |
|----------------------|--|---|------------------------|--------------------|
| 1 | 201.6110-510 | Vedení / Führung / Guide | | 1 |
| 2 | 30.6710-108 | Kolík / Passtift / Dowel Pin | | 1 |
| 3 | 30.6710-109 | Pístek ložiska / Lagerkolben / Bearing piston | | 1 |
| 4 | 30.6710-110 | Kroužek / Ring / Ring | | 1 |
| 5 | 30.Y410-110 | Deska / Platte / Plate | | 1 |
| 6 | 30.Y410-120 | Deska / Platte / Plate | | 1 |
| 7 | 30.Y610-501 | Kostka vodící levá / Linke Führungsplatte / Left guiding cube | | 1 |
| 8 | 30.Y610-503 | Šroub / Schraube / Screw | M10x30 | 1 |
| 9 | 90.001.25.011 | Šroub / Schraube / Screw | M5x25 | 3 |
| 10 | 90.001.25.054 | Šroub / Schraube / Screw | M10x60 | 2 |
| 11 | 90.004.2D.002 | Šroub / Schraube / Screw | M6x12 | 1 |
| 12 | 90.005.55.019 | Šroub / Schraube / Screw | M8x40 | 1 |
| 13 | 90.011.27.016 | Šroub / Schraube / Screw | M8x25 | 2 |
| 14 | 90.100.55.005 | Matice / Mutter / Nut | M8 | 1 |
| 15 | 90.154.50.003 | Podložka / Scheibe / Washer | 10x16x0,50 | 2 |
| 16 | 90.350.0Z.005 | Talířová pružina / Tellerfeder / Belleville spring | 20x10,2x1,1 DIN2093 | 8 |
| 17 | 95.001.044 | Kuličkové ložisko / Kugellager / Ball bearing | 609 2RS | 2 |
| 18 | 95.800.003 | Pojistný kroužek / Sicherungsring / Retaining ring | Ø10 | 1 |

1. Safety notes

2. Machine
documentation

3. Machine
control

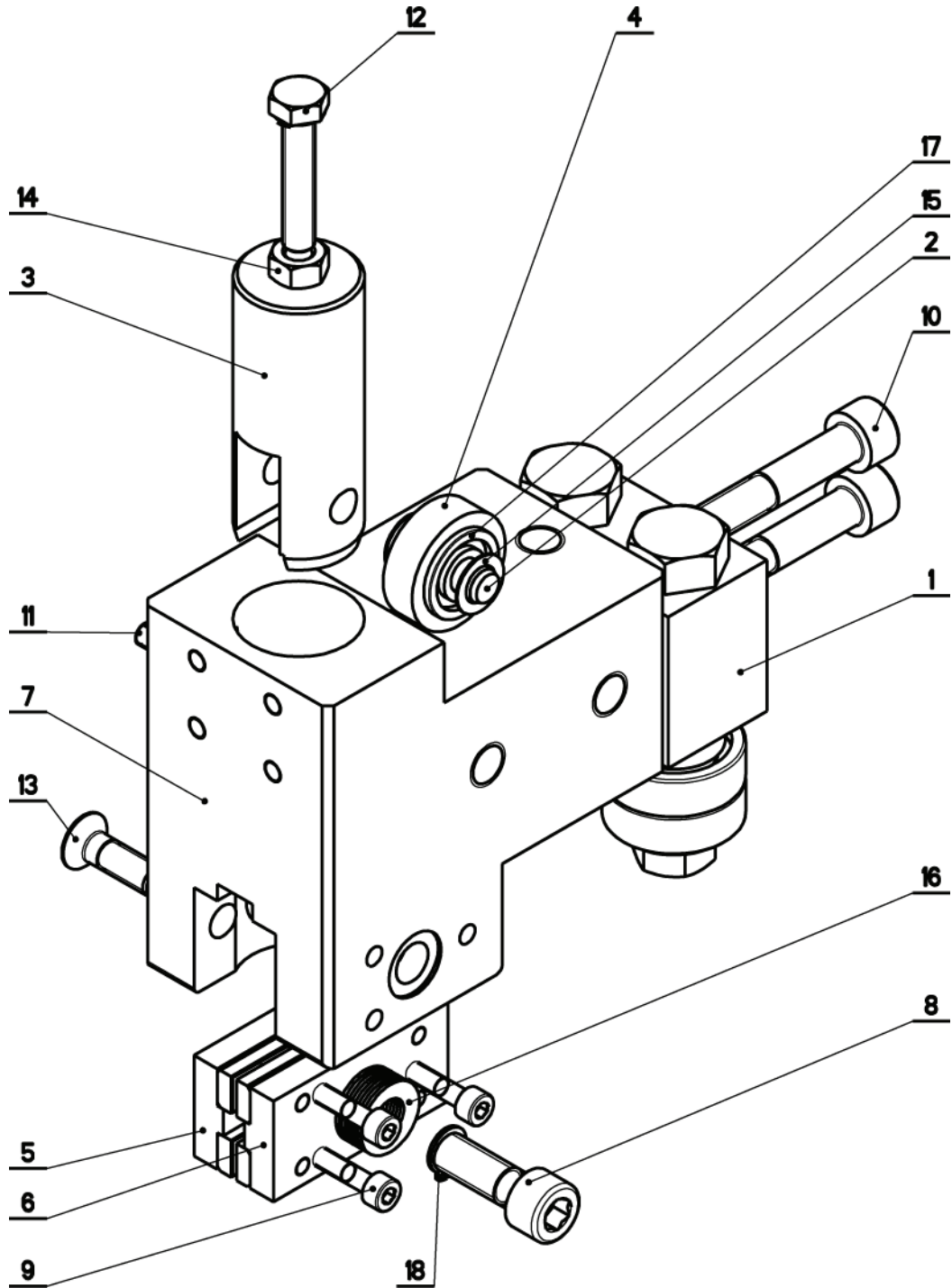
4. Machine
service

5. Troubleshooting

6. Schematics

7. Drawings
and piece lists

7.19. Vodící kostka / Führungsklotz / Guiding cube 2



1. Safety notes

2. Machine documentation

3. Machine control

4. Machine service

5. Troubleshooting

6. Schematics

7. Drawings and piece lists

7.20. Kusovník / Stückliste / Piece list Vodící kostka / Führungsklotz / Guiding cube 2

| Poz. | Obj, číslo | Název položky | | ks |
|------|---------------|--|------------------------|------|
| Pos. | Bestell - Nr. | Bezeichnung | | Mng. |
| Pos. | Ref, No. | Item | | Pcs. |
| 1 | 201.6110-510 | Vedení / Führung / Guide | | 1 |
| 2 | 30.6710-108 | Kolík / Passtift / Dowel Pin | | 1 |
| 3 | 30.6710-109 | Pístek ložiska / Lagerkolben / Bearing piston | | 1 |
| 4 | 30.6710-110 | Kroužek / Ring / Ring | | 1 |
| 5 | 30.Y410-110 | Deska / Platte / Plate | | 1 |
| 6 | 30.Y410-120 | Deska / Platte / Plate | | 1 |
| 7 | 30.Y410-201 | Kostka vodící pravá / Rechte Führungsplatte / Right guiding cube | | 1 |
| 8 | 30.Y610-503 | Šroub / Schraube / Screw | M10x30 | 1 |
| 9 | 90.001.25.011 | Šroub / Schraube / Screw | M5x25 | 3 |
| 10 | 90.001.25.053 | Šroub / Schraube / Screw | M10x60 | 2 |
| 11 | 90.004.2D.002 | Šroub / Schraube / Screw | M6x12 | 1 |
| 12 | 90.005.55.019 | Šroub / Schraube / Screw | M8x40 | 1 |
| 13 | 90.011.27.016 | Šroub / Schraube / Screw | M8x25 | 2 |
| 14 | 90.100.55.005 | Matice / Mutter / Nut | M8 | 1 |
| 15 | 90.154.50.003 | Podložka / Scheibe / Washer | 10x16x0,50 | 2 |
| 16 | 90.350.0Z.005 | Talířová pružina / Tellerfeder / Belleville spring | 20x10,2x1,1 DIN2093 | 8 |
| 17 | 95.001.044 | Kuličkové ložisko / Kugellager / Ball bearing | 609 2RS | 2 |
| 18 | 95.800.003 | Pojistný kroužek / Sicherungsring / Retaining ring | Ø10 | 1 |

1. Safety notes

2. Machine documentation

3. Machine control

4. Machine service

5. Troubleshooting

6. Schematics

7. Drawings and piece lists

7.21. Kartáček / Spänbürste / Brush

1. Safety notes

2. Machine documentation

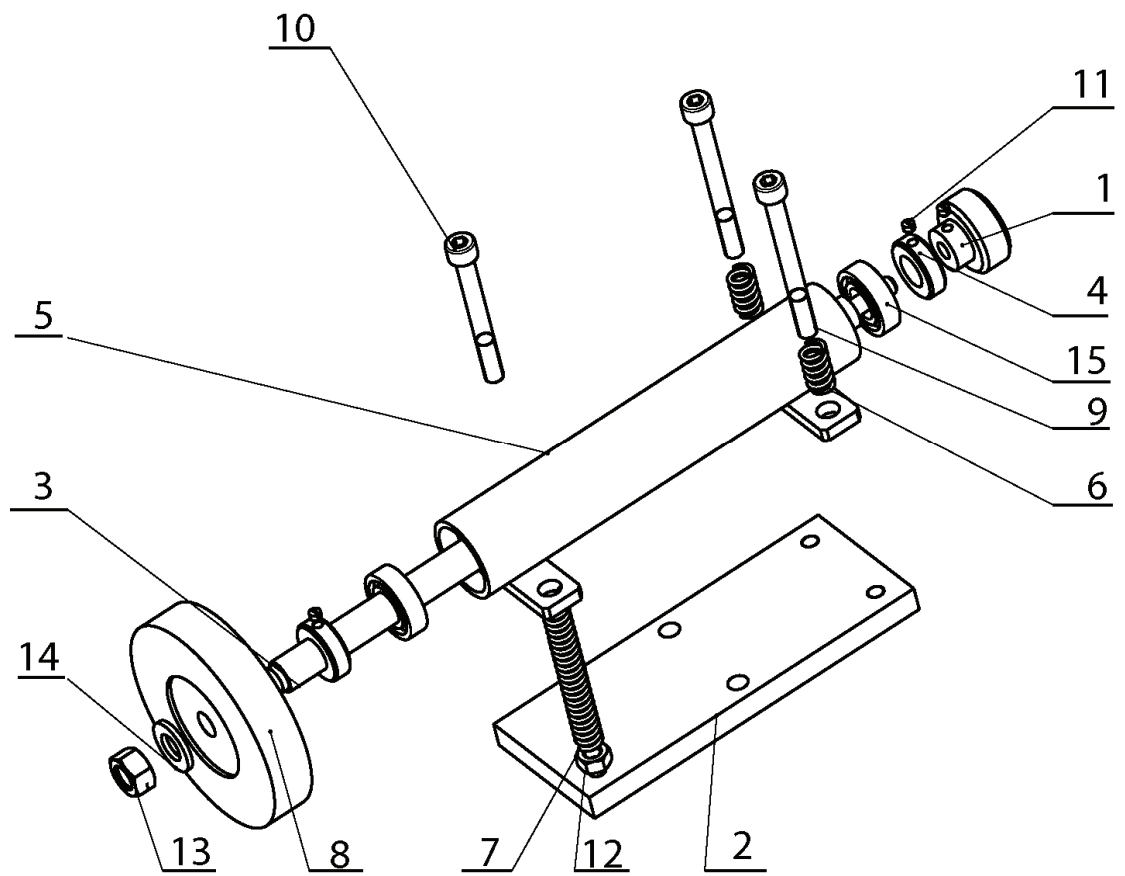
3. Machine control

4. Machine service

5. Troubleshooting

6. Schematics

7. Drawings and piece lists



7.22. Kusovník / Stückliste / Piece list Kartáček / Spänbürste / Brush

| Poz. Pos. Pos. | Objednací číslo Bestell - Nr. Reference No. | Název položky Bezeichnung Item | | ks Menge Pcs. |
|----------------------|---|---|------------------|---------------------|
| 1 | 30.0814-204 | Kolečko / Rolle / Wheel | | 1 |
| 2 | 30.6114-105 | Deska / Platte / Plate | | 1 |
| 3 | 30.6114-116 | Hřídel kartáčku / Bürstenwelle / Brush shaft | | 1 |
| 4 | 30.6114-119 | Kroužek / Ring / Ring | | 2 |
| 5 | 30.6114-128 | Držák kartáčku / Bürstenhalter / Brush holder | | 1 |
| 6 | 31.1506-115 | Pružina / Feder / Spring | | 2 |
| 7 | 31.2107-206 | Pružina / Feder / Spring | | 1 |
| 8 | 49.250.017 | Kartáček / Spänebürste / Brush | | 1 |
| 9 | 90.001.25.067 | Šroub / Schraube / Screw | M8x80 DIN 912 | 2 |
| 10 | 90.001.25.095 | Šroub / Schraube / Screw | M8x70 | 1 |
| 11 | 90.003.2D.001 | Šroub / Schraube / Screw | M5x6 | 3 |
| 12 | 90.100.55.005 | Matice / Mutter / Nut | M8 DIN 934 | 1 |
| 13 | 90.100.55.007 | Matice / Mutter / Nut | M12 DIN 934 | 1 |
| 14 | 90.150.50.007 | Podložka / Scheibe / Washer | d13 DIN 125 | 1 |
| 15 | 95.001.006 | Ložisko / Lager / Bearing | 6002 2RS | 2 |

1. Safety notes

2. Machine
documentation

3. Machine
control

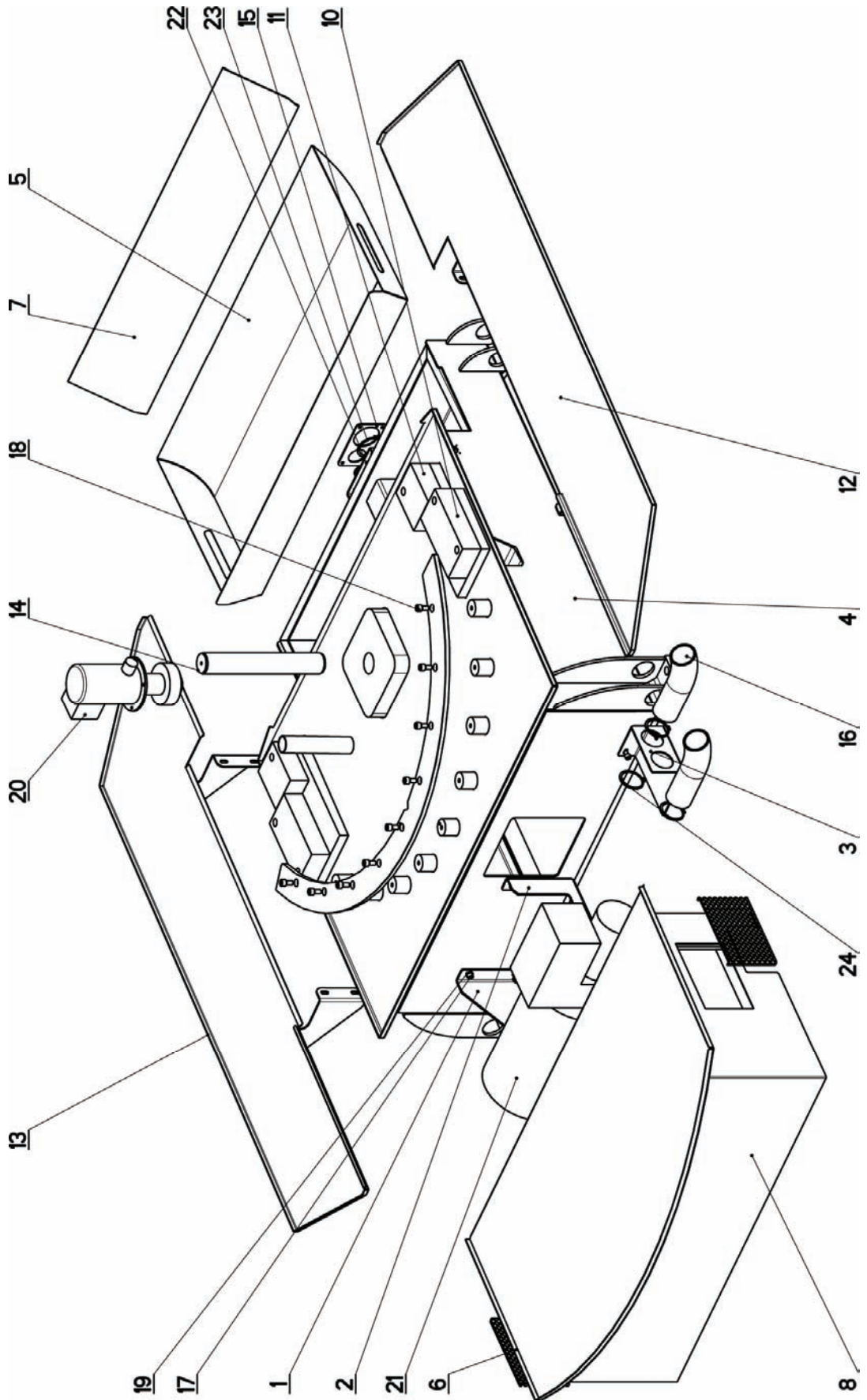
4. Machine
service

5. Troubleshooting

6. Schematics

7. Drawings
and piece lists

7.23. Podstavec / Untergestell / Pedestal



1. Safety notes

2. Machine documentation

3. Machine control

4. Machine service

5. Troubleshooting

6. Schematics

7. Drawings and piece lists

7.24. Kusovník / Stückliste / Piece list Podstavec / Untergestell / Pedestal

| Poz. Pos. Pos. | Obj. číslo Bestell - Nr. Ref. No. | Název položky Bezeichnung Item | | ks Mng. Pcs. |
|----------------------|---|--|-------------|--------------------|
| 1 | 30.N301-008 | Nosič agregatu / Aggregatgestell / Aggregate carrier R | | 1 |
| 2 | 30.N301-009 | Nosič agregatu / Aggregatgestell / Aggregate carrier L | | 1 |
| 3 | 30.N301-010 | Držák hadice / Schlauchhalter / Hose holder | | 1 |
| 4 | 30.Y301-001 | Podstavec / Untergestell / Pedestal | | 1 |
| 5 | 30.Y301-010 | Vana / Wanne / Tank | | 1 |
| 6 | 30.Y301-011 | Kryt / Deckel / Cover | | 2 |
| 7 | 30.Y301-020 | Skruz / Rutsch / Glide | | 1 |
| 8 | 30.Y401-005 | Kryt hydrauliky / Hydraulikdeckel / Hydraulic cover | | 1 |
| 9 | 30.Y401-009 | Segment / Segment / Segment | | 1 |
| 10 | 30.Y401-010 | Podložka svěráku / Schraubstockscheibe / Vice washer 1 | | 2 |
| 11 | 30.Y401-011 | Podložka svěráku / Schraubstockscheibe / Vice washer 2 | | 2 |
| 12 | 30.Y401-016 | Deska pravá / Rechte Platte / Right Plate | | 1 |
| 13 | 30.Y401-017 | Deska levá / Linke Platte / Left Plate | | 1 |
| 14 | 30.Y401-103 | Tyč / Stange / Bar | | 1 |
| 15 | 30.Y502-162 | Úchytka / Halter / Angle cleat | | 1 |
| 16 | 41.001.006 | Řetěz energie / Kabelschlepper / Cable tug | | 2 |
| 17 | 90.001.25.029 | Šroub / Schraube / Screw | M8x12 | 6 |
| 18 | 90.001.25.046 | Šroub / Schraube / Screw | M10x20 | 9 |
| 19 | 90.150.50.005 | Podložka / Scheibe / Washer | Ø8,4 DIN125 | 4 |
| 20 | 91.020.004 | Čerpadlo chlazení / Kühlmittelpumpe / Coolant pump | 230/400 V | 1 |
| 21 | 92.001.021 | Agregát hydraulický / Hydraulischeaggregat / Hydraulic aggregate | 870-1394 | 1 |
| 22 | 95.800.016 | Pojistný kroužek / Sicherungsring / Retaining ring | Ø42 | 1 |
| 23 | 95.800.021 | Pojistný kroužek / Sicherungsring / Retaining ring | Ø62 | 1 |
| 24 | 95.800.034 | Pojistný kroužek / Sicherungsring / Retaining ring | Ø55 | 4 |

1. Safety notes

2. Machine
documentation3. Machine
control4. Machine
service

5. Troubleshooting

6. Schematics

7. Drawings
and piece lists