

## **Individual 620.460 DGANC**

2300

Operating instructions

**Before transporting and using the machine,  
please read the instructions thoroughly!**

# Service and information

Your BOMAR dealer:

## Direct BOMAR contact:

**BOMAR spol. s r.o.**  
Těžební 1236/1  
62700 Brno  
Czech Republic, EU

telefon: +420 – 533 426 100  
fax: +420 – 533 426 109  
e-mail: [info@bomar.cz](mailto:info@bomar.cz)  
www: <http://www.bomar.cz>

## We are available:

Mondays to Fridays

7<sup>00</sup> – 16<sup>00</sup>

## Version:

1.11 / Jan. 2013  
rev. 2

**BOMAR, spol. s r.o.** © – Subject to modifications and amendments.

# Content

<b>1. SAFETY NOTES.....</b>	<b>9</b>
1.1. Machine determination.....	11
1.2. Protective suit and personal safety.....	11
1.3. Safety notes for machine operator.....	12
1.4. Safety notes for the servicing and repairs.....	12
1.5. Safety notes for the servicing and repairs on hydraulic unit.....	13
1.6. Safety machine accessories.....	13
1.6.1. Total Stop.....	13
1.6.2. Protected space around saw.....	13
1.6.3. Arm covers.....	14
1.6.4. Saw band stretching and rupture inspection.....	14
1.6.5. Band saw cover.....	15
1.7. Safety notes for the cooling.....	15
1.7.1. Instructions for first help.....	15
1.7.2. Safety information for the chip remover.....	15
1.8. Umístění štítku stroje / Maschinenschild position / Position of machine label.....	16
1.9. Umístění bezpečnostních značek / Verteilung der Sicherheitszeichen / Position of safety symbols.....	17
<b>2. MACHINE DOCUMENTATION.....</b>	<b>19</b>
2.1. Technická data / Technische Daten / Technical data.....	20
2.2. Rozměrové schéma / Aufstellzeichnung / Installation diagram.....	22
2.3. Popis / Beschreibung / Description 1.....	23
2.4. Popis / Beschreibung / Description 2.....	24
2.5. Transportation and stocking.....	25
2.5.1. Conditions for transportation and stocking.....	25
2.5.2. Transport and stocking preparations.....	25
2.5.3. Transport and stocking.....	25
2.5.4. Transportní schéma / Transport schema / Transport diagram 1.....	26
2.5.5. Transportní schéma / Transport schema / Transport diagram 2.....	27
2.6. Activation.....	28
2.6.1. Machine working conditions.....	28
2.7. Band saw unpacking and assembling.....	28
2.7.1. Machine installing and levelling.....	28
2.7.2. Machine disposal after lifetime.....	29
2.7.3. First run of the power pack.....	29
2.7.4. Filling the reservoir with hydraulic oil.....	29
2.7.5. Kotevní plan / Verankerungsplan / Grounding plan.....	31
2.8. Electrical connection.....	32
2.8.1. Check the direction of the saw band.....	32
2.8.2. Check machine connection into electrical network.....	33
2.9. Filling of the cooling system.....	33
2.10. Check machine function.....	33
2.11. Saw band.....	33
2.11.1. Saw band size.....	33
2.11.2. Selection of the saw band tooth system.....	33
2.11.3. Saw band running-in.....	34
2.11.4. Tables for teeth selection.....	35
<b>3. MACHINE CONTROL.....</b>	<b>37</b>
3.1. Starting the Band Saw.....	39
3.2. Control panel.....	40
3.2.1. Control board.....	40
3.2.2. Touch screen panel.....	42
3.3. Controlling the Machine.....	44
3.3.1. Controlling the Touch Display.....	44
3.3.2. Moving in the Chosen Menu.....	44
3.4. Referencing the Machine.....	45
3.5. Machine modes.....	45
3.6. Manual mode.....	46
3.6.1. Semi-automatic Cut.....	47
3.6.2. Automatic Positioning.....	47
3.7. Automatic mode.....	48
3.7.1. Automatic mode screen.....	48
3.7.2. Starting the Automatic Cycle.....	49
3.7.3. Starting automatic cycle.....	49
3.7.4. Automatic Material Feed.....	50
3.8. Entering Cutting Data.....	51
3.8.1. Choosing the Cutting Program.....	51
3.8.2. Entry Table for the Current Cutting Program.....	52
3.8.3. Cutting Commands Editor.....	54
3.8.4. More cuts.....	55
3.9. Disrupting a Cycle.....	57
3.9.1. Pausing the Running.....	57
3.9.2. Emergency Stop During an Automatic Cutting Cycle.....	57
3.9.3. Out of Material.....	57
3.9.4. End of the Cutting Program.....	58
3.10. Saw Settings.....	58
3.11. Basic settings.....	60
3.11.1. Service parameters.....	61

3.12. Error statements.....	67
3.12.1. Frame bottom stop position setting.....	69
3.12.2. Setting of optimum distance of the guiding cubes.....	69
3.12.3. Setting of the frame lowering speed.....	69
3.12.4. Saw frame lift stop setting.....	69
3.12.5. Brush setting.....	70
3.12.6. Material insertion.....	70
3.12.7. Handling agent selection.....	70
3.12.8. Insertion.....	70
3.12.9. Bundle material cutting.....	70

#### **4. MACHINE MAINTENANCE .....71**

4.1. Saw band installation and dismantling.....	73
4.1.1. Saw band dismantling – mechanical saw band stretching.....	73
4.1.2. Saw band dismantling – hydraulic saw band stretching.....	73
4.1.3. Saw band installation.....	74
4.2. Saw band stretching and inspection.....	75
4.2.1. Saw band stretching.....	75
4.2.2. Saw band inspection.....	75
4.2.3. Saw band run setting.....	76
4.2.4. Adjusting of the limit switch of the saw band stretching.....	76
4.3. Cooling agents and chips disposal.....	77
4.3.1. Coolant device inspection.....	77
4.3.2. Chips disposal.....	77
4.4. Hydraulic, Greases and oils.....	78
4.4.1. Gearbox oils.....	78
4.4.2. Lubricant greases.....	78
4.4.3. Lubrication.....	79
4.4.4. Hydraulic oils.....	80
4.4.5. Hydraulic unit service.....	81
4.4.6. Hydraulic oil level check.....	82
4.4.7. Manometers.....	82
4.5. Machine cleaning.....	83
4.6. Worn pieces replacement.....	83
4.6.1. Pushing bearing replacement.....	83
4.6.2. Saw band guiding pulleys replacement.....	87
4.6.3. Hard metal guides replacement.....	89
4.6.4. Brush replacement.....	91

#### **5. TROUBLESHOOTING .....93**

5.1. Mechanical problems.....	95
5.2. Electric and hydraulic problems.....	97
5.3. Hydraulic problems.....	98

#### **6. SCHÉMATA / SCHEMAS / SCHEMATICS.....99**

6.1. Elektrické schéma / Elektroschema / Wiring diagrams – 3×400 V, TN-C-S.....	100
6.2. Elektrické schéma / Elektroschema / Wiring diagrams – 3×400 V, TN-C.....	129
6.3. Hydraulické schéma Hydraulisches Schéma Hydraulic diagram - 1.....	159
6.4. Hydraulické schéma Hydraulisches Schéma Hydraulic diagram - 2.....	161

#### **7. VÝKRESY SESTAV PRO OBJEDNÁNÍ NÁHRADNÍCH DÍLŮ / ZEICHNUNGEN FÜR BESTELLUNG DER ERSATZTEILE / DRAWING ASSEMBLIES FOR SPARE PARTS ORDER..... 163**

7.1. Individual 620.460 DGANC 1.....	164
7.2. Kusovník / Stückliste / Piece list – Individual 620.460 DGANC 1.....	165
7.3. Individual 620.460 DGANC 2.....	166
7.4. Kusovník / Stückliste / Piece list – Individual 620.460 DGANC 2.....	167
7.5. Rameno / Sägerahmen / Saw arm 1.....	168
7.6. Kusovník / Stückliste / Piece list – Rameno / Sägerahmen / Saw arm 1.....	169
7.7. Rameno / Sägerahmen / Saw arm 2.....	170
7.8. Kusovník / Stückliste / Piece list – Rameno / Sägerahmen / Saw arm 2.....	171
7.9. Vedení pásu / Sägebandführung / Belt guide.....	172
7.10. Kusovník / Stückliste / Piece list – Vedení pásu / Sägebandführung / Belt guide.....	173
7.11. Kostka vodící / Führungsklotz / Lead cube 1.....	174
7.12. Kusovník / Stückliste / Piece list – Kostka vodící / Führungsklotz / Lead cube 1.....	175
7.13. Kostka vodící / Führungsklotz / Lead cube 2.....	176
7.14. Kusovník / Stückliste / Piece list – Kostka vodící / Führungsklotz / Lead cube 2.....	177
7.15. Vedení / Backenführung / Guide.....	178
7.16. Napínání / Spannung / Tensioning.....	180
7.17. Kusovník / Stückliste / Piece list – Napínání / Spannung / Tensioning.....	181
7.18. Válec / Zylinder / Roller.....	182
7.19. Kusovník / Stückliste / Piece list – Válec / Zylinder / Roller.....	183
7.20. Podstavec / Untersatz / Base 1.....	184
7.21. Kusovník / Stückliste / Piece list – Podstavec / Untersatz / Base 1.....	185
7.22. Podstavec / Untersatz / Base 2.....	186
7.23. Kusovník / Stückliste / Piece list – Podstavec / Untersatz / Base 2.....	187
7.24. Pohon / Antrieb / Drive.....	188
7.25. Kusovník / Stückliste / Piece list – Pohon / Antrieb / Drive.....	189
7.26. Svěrák / Schraubstock / Vice 1.....	190
7.27. Kusovník / Stückliste / Piece list – Svěrák / Schraubstock / Vice 1.....	191
7.28. Svěrák / Schraubstock / Vice 2.....	192
7.29. Kusovník / Stückliste / Piece list – Svěrák / Schraubstock / Vice 2.....	193
7.30. Válec svěráku / Schraubstockzylinder / Vice cylinder.....	194

7.31. Válec zvedací / Hebezyylinder / Lifting cylinder .....	196
7.32. Kusovník / Stückliste / Piece list – Válec zvedací / Hebezyylinder / Lifting cylinder .....	197
7.33. Konzola otočná / Drehkonsole / Turnable consol.....	198
7.34. Kusovník / Stückliste / Piece list – Konzola otočná / Drehkonsole / Turnable consol.....	199
7.35. Sloup / Saule / Pole 1 .....	200
7.36. Sloup / Saule / Pole 2 .....	201
7.37. Kartáč / Bürste / Brush.....	202
7.38. Kusovník / Stückliste / Piece list – Kartáč / Bürste / Brush .....	203
7.39. Doraz / Anschlag / Stop piece .....	204
7.40. Kusovník / Stückliste / Piece list – Doraz / Anschlag / Stop piece .....	205
7.41. Válec upínací / Spannzyylinder / Fixing cylinder .....	206
7.42. Kusovník / Stückliste / Piece list – Válec upínací / Spannzyylinder / Fixing cylinder.....	207
7.43. Upínání horní / Spannvorrichtung oben / Top clam.....	208
7.44. Držák / Halter / Holder .....	209
7.45. Rozvaděč / Verteiler / Distributor .....	210
7.46. Kusovník / Stückliste / Piece list – Rozvaděč / Verteiler / Distributor .....	211
7.47. Ovládací panel / Bedienpult / Control panel .....	212
7.48. Kusovník / Stückliste / Piece list – Ovládací panel / Bedienpult / Control panel .....	213
7.49. Noha dopravníku / Ständer des Förderers / Feeder Leg.....	214
7.50. Třískový vynašeč / Spanabführung / Chip extractor.....	215
7.51. Kladka / Rolle / Pulley .....	216
7.52. Váleček / Rolle / Cylinder 1 .....	217
7.53. Váleček / Rolle / Cylinder 2 .....	218
7.54. Snímač magnet. / Magnetsensor / Magnetic sensor.....	219
7.55. Kostka regulace / Regelungswüfel / Regulation cube .....	220
7.56. Brzda / Bremse / Brake .....	221
7.57. Regulace tl. svěráku / Schraubstock druckregelung / Vice pressure regulation .....	222
7.58. Podavač / Vorschub / Feeder 1 .....	224
7.59. Kusovník / Stückliste / Piece list – Podavač / Vorschub / Feeder 1.....	225
7.60. Podavač / Vorschub / Feeder 2.....	226
7.61. Kusovník / Stückliste / Piece list – Podavač / Vorschub / Feeder 2.....	227
7.62. Pohon / Antrieb / Drive.....	228
7.63. Kusovník / Stückliste / Piece list – Pohon / Antrieb / Drive .....	229
7.64. Válec pomocný / Hilfszyylinder / Aux. cylinder .....	230
7.65. Kusovník / Stückliste / Piece list – Válec pomocný / Hilfszyylinder / Aux. cylinder .....	231
7.66. Váleček / Rolle / Cylinder .....	232
7.67. Kusovník / Stückliste / Piece list – Váleček / Rolle / Cylinder .....	233
7.68. Vedení lineární / Lineare führung / Linear Guide.....	234
7.69. Upínání horní / Spannvorrichtung Oben / Top clamp .....	235
7.70. Válec upínací / Spannzyylinder / Fixing cylinder.....	236
7.71. Kusovník / Stückliste / Piece list – Válec upínací / Spannzyylinder / Fixing cylinder .....	237
7.72. Trať / Bahn / Track.....	240
7.73. Kusovník / Stückliste / Piece list – Trať / Bahn / Track.....	241
7.74. Noha / Ständer / Leg.....	242
7.75. Válec / Zylinder / Roller.....	243

## 6. **Schémata / Schemas / Schematics**


6.1. Elektrické schéma /  
 Elektroschema /  
 Wiring diagrams – 3×400 V, TN-C-S


	<p><b>Individual 620.460 DGA</b></p> <p>3x400V, 50Hz, PE, N</p> <p><b>Wiring diagram</b></p> <p>ES.N330-201/V1.4</p>		<p>Year : 2012</p>
<p>Bomar, spol. s r.o.        Těžební 1236/1        627 00 Brno        Czech republic</p>			
		<p>Version: ES.N330-201/V1.4        Power supply: 3x400V, 50Hz, PE, N        Edited by:        Date: 13.2.2012</p>	
		<p>Name page: Start page        Page: 0        Pages: 30</p>	
		<p>Machine: Individual 620.460 DGA        BOMAR, s.r.o.,        Těžební 1236/1,        CZ 627 00, Brno</p>	

Page	Name of page	Edited by	Date
0	Start page		13.2.2012
1	Table of contents		26.3.2012
1.a	Table of contents		26.3.2012
2	Technical specifications		26.3.2012
3	Parts list		26.3.2012
3.a	Parts list		26.3.2012
3.b	Parts list		26.3.2012
3.c	Parts list		26.3.2012
3.d	Parts list		26.3.2012
3.e	Parts list		26.3.2012
4	Cable overview		26.3.2012
5	element lay-out of the control panel		13.2.2012
6	element lay-out in the distributor		26.3.2012
7	Power part		21.3.2012
8	Power part		21.3.2012
9	Power part		26.3.2012
10	Power supply block		26.3.2012
11	Safety circuit		26.3.2012
12	CPU		26.3.2012
13	Input/Output modules		21.3.2012
14	HMI		13.2.2012
15	Control of drives		21.3.2012
16	Control of drives		21.3.2012
17	Inputs		26.3.2012
18	Inputs		26.3.2012
19	Inputs		26.3.2012
20	Outputs		26.3.2012
21	Outputs		21.3.2012


0		1.a	
 BOMAR, s.r.o. Teřební 1236/1 CZ 627 00, Brno	Měříče: <b>Individual 620.460 DGA</b>	Name page: <b>Table of contents</b>	Version: Power supply Edited by: Date:
			ES NS30-200/V1.4 3x400V, 50-hz, PE, N 26.3.2012
			Page: <b>1</b> Pages: <b>30</b>




0	1	2	3	4	5	6	7	8	9	
<b>Table of contents</b>										
Page	Name of page	Edited by		Date						
22	Outputs			13.2.2012						
23	Terminal connection			13.2.2012						
1	 BOMAR, s.r.o. Těžební 1236/1 CZ 627 00, Brno		Měšice: <b>Individual 620.460 DGA</b>		Name page: <b>Table of contents</b>		Version: Power supply Edited by Date		ES NS30-200/V1.4 3x400V, 50-hz, PE, N 26.3.2012	Page: 1.a Pages: 30

0	1	2	3	4	5	6	7	8	9		
<p><u>Technical specifications</u></p> <p>Rated voltage 3x400V, 50Hz, PE, N          Input lead NYY 5x2,5mm<sup>2</sup>          Input current 23 A          Prefuse max. 32 A          Installed power 10 kVA          Degree of cabinet protection IP 54          Control voltage 24 V          Environment Normal</p> <p>Control system Siemens Simatic S7-300          Drives Siemens Sinamics G120C</p>					<p><u>Machine parts</u></p> <p>R1 Control cabinet          OP1 Control panel          P Base          RP Saw frame          FD Feeder</p>						
1.a	 <p>BOMAR, s.r.o.          Težební 1236/1          CZ 627 00, Brno</p>		Machine: <b>Individual 620.460 DGA</b>	Name page: <b>Technical specifications</b>	Version: Power supply Edited by Date	ES NS30-200/V1.4 3x400V, 50-hz, PE, N   26.3.2012	Page: 2	Pages: 30	3		


0	1	2	3	4	5	6	7	8	9
<b>Parts list</b>									
Device identification	Device description	Type number	supplier	part number	Quantity	Location (page,column)			
-A1	Simatic S7-300, CPU 313C	6ES7313-5BG04-0AB0	SIEMENS	91.995.670	1	/12.1			
-A1	SIMATIC S7-300, FRONT CONNECTOR WITH SPRING CONTACTS, 40-PIN	6ES7392-1BM01-0AA0	SIEMENS	91.995.672	2	/12.1			
-A1	Memory Card MMC for SIMATIC S7-300/C7/ET 200, 3.3V, 64kB	6ES7953-8LF20-0AA0	SIEMENS	91.995.628	1	/12.1			
-A1	SIMATIC S7-300, RAIL L=480mm	6ES7390-1AE80-0AA0	SIEMENS	91.995.626	1	/12.1			
-A1	BUS CONNECTOR FOR PROFIBUS WITH PC SOCKET	EasyConn PB 90	VIPA	91.995.606	1	/12.1			
-A2	Simatic SM321, 16xDI 24VDC	6ES7321-1BH02-0AA0	SIEMENS	91.995.624	1	/13.0			
-A2	SIMATIC S7-300, FRONT CONNECTOR WITH SPRING CONTACTS, 20-PIN	6ES7392-1B000-0AA0	SIEMENS	91.995.671	1	/13.0			
-A3	Simatic SM322, 8xDO 24VDC/ZA	6ES7322-1BF01-0AA0	SIEMENS	91.995.625	1	/13.3			
-A3	SIMATIC S7-300, FRONT CONNECTOR WITH SPRING CONTACTS, 20-PIN	6ES7392-1B000-0AA0	SIEMENS	91.995.671	1	/13.3			
-A4	Simatic SM322, 8xDO 24VDC/ZA	6ES7322-1BF01-0AA0	SIEMENS	91.995.625	1	/13.6			
-A4	SIMATIC S7-300, FRONT CONNECTOR WITH SPRING CONTACTS, 20-PIN	6ES7392-1B000-0AA0	SIEMENS	91.995.671	1	/13.6			
-BM1	Safety relay	SNA 4064K	WIELAND	91.051.026	1	/11.5			
-BQ1	Analog sensor	BIL-ED0-P160A-01-S75	BALLUFF	91.172.015	1	/19.7			
-D1	Diode 3A	1N5408		91.280.003	1	/20.4			
-D2	Diode 3A	1N5408		91.280.003	1	/20.4			
-FA1	Motor-overcurrent circuit breaker 0.25-0.4A	GZ1M03	TELEMECANIQUE	91.235.022	1	/7.2			
-FA1	Motor-overcurrent circuit breaker auxiliary contacts	GZ1AN11	TELEMECANIQUE	91.046.004	1	/7.2			
-FA2	Motor-overcurrent circuit breaker 1.6-2.5A	GZ1M07	TELEMECANIQUE	91.235.030	1	/7.4			
-FA2	Motor-overcurrent circuit breaker auxiliary contacts	GZ1AN11	TELEMECANIQUE	91.046.004	1	/7.4			
-FA2	Motor-overcurrent circuit breaker 6-10A	GZ1M14	TELEMECANIQUE	91.235.025	1	/6.2			
-FA3	Motor-overcurrent circuit breaker 0.63-1A	GZ1M05	TELEMECANIQUE	91.235.023	1	/7.8			
-FA3	Motor-overcurrent circuit breaker auxiliary contacts	GZ1AN11	TELEMECANIQUE	91.046.004	1	/7.8			
-FA4	Motor-overcurrent circuit breaker 1-1.6A	GZ1M06	TELEMECANIQUE	91.235.024	1	/8.1			
-FA4	Motor-overcurrent circuit breaker auxiliary contacts	GZ1AN11	TELEMECANIQUE	91.046.004	1	/8.1			
-FM1	Frequency inverter SINAMICS G120C, 3x400V, 1.5 kW	6SL3210-1KE14-3AB0	SIEMENS	91.995.674	1	/9.2			
-FM1	SINAMICS G120 BASIC OPERATOR PANEL (BOP-2)	6SL3255-0AA00-4CA1	SIEMENS	91.995.675	1	/9.2			
-FM2	Frequency inverter SINAMICS G120C, 3x400V, 0.55kW	6SL3210-1KE11-8AB0	SIEMENS	91.995.673	1	/9.4			
-FM3	Frequency inverter SINAMICS G120C, 3x400V, 4 kW	6SL3210-1KE18-8AB0	SIEMENS	91.995.677	1	/9.7			
<b>The manufacturer reserves use an equivalent component.</b>									
BOMAR, s.r.o. Těšební 1236/1 CZ 627 00, Brno		Name page: <b>Parts list</b>		Version: Power supply Edited by Date:		ES NS30-201/1.4 3x400V, 50Hz, PE, N 26.3.2012		Page: 3 Pages: 30	

0	1	2	3	4	5	6	7	8	9
<b>Parts list</b>									
Device identification	Device description	Type number	supplier	part number	Quantity	Location (page,column)			
-FU1	Tube fuse 5x20 slow, 2A/250V	T2A/250V	ESKA	91.230.001	1	/10.5			
-FU1	Fuse case	WK4/THSIS...U	WTELAND	91.251.102	1	/10.5			
-FU2	Fuse case for cylindrical fuse 10x38mm, size 10	OPV10/1	OEZ	91.241.001	1	/10.6			
-FU2	Cylindric fuse 10A, 10x38 slow	PV10 10A aM	OEZ	91.230.041	1	/10.6			
-FU3	Tube fuse 5x20 slow, 2A/250V	T2A/250V	ESKA	91.230.001	1	/10.7			
-FU3	Fuse case	WK4/THSIS...U	WTELAND	91.251.102	1	/10.7			
-FU4	Tube fuse 5x20 slow, 2A/250V	T2A/250V	ESKA	91.230.001	1	/10.7			
-FU4	Fuse case	WK4/THSIS...U	WTELAND	91.251.102	1	/10.7			
-FU5	Tube fuse 5x20 slow, 1A/250V	T1A/250V	ESKA	91.230.003	1	/10.8			
-FU5	Fuse case	WK4/THSIS...U	WTELAND	91.251.102	1	/10.8			
-FU6	Tube fuse 5x20 slow, 500mA/250V	T500mA/250V	ESKA	91.230.011	1	/10.1			
-FU6	Fuse case	WK4/THSIS...U	WTELAND	91.251.102	1	/10.1			
-FU7	Tube fuse 5x20 slow, 1A/250V	T1A/250V	ESKA	91.230.003	1	/8.8			
-FU7	Fuse case	WK4/THSIS...U	WTELAND	91.251.102	1	/8.8			
-H1	Bulb 5W	BA15D 24V 5W	WERMA	91.063.014	1	/20.7			
-H1	Beacon base	WE64081000	WERMA	91.063.010	1	/20.7			
-H1	Beacon, orange	WE64130000	WERMA	91.063.013	1	/20.7			
-HS1	Linear incremental encoder with magnetic strip 10-30VDC	LMDX2-026-08.0-1-00-L	ELGO	92.270.018	1	/17.0			
-HS2	Linear incremental encoder with magnetic strip 10-30VDC	LMDX2-026-08.0-1-00-L	ELGO	92.270.018	1	/17.2			
-HS3	Linear incremental encoder with magnetic strip 10-30VDC	LMDX2-026-08.0-1-00-L	ELGO	92.270.018	1	/17.4			
-K1	Relay	40.52.9.024	FINDER	91.051.001	1	/20.3			
-K1	Relay socket	95.95.3	FINDER	91.051.003	1	/20.3			
-K2	Relay	40.52.9.024	FINDER	91.051.001	1	/20.6			
-K2	Relay socket	95.95.3	FINDER	91.051.003	1	/20.6			
-KM1	Contacto	DIL EM-01-G 24V DC	MOELLER	91.040.024	1	/20.3			
-KM2.1	Contacto 5.5KW, with NC	DILM12-01	MOELLER	91.040.025	1	/20.2			
-KM2.2	Contacto 5.5KW, with NC	DILM12-01	MOELLER	91.040.025	1	/21.4			
-KM2.2	Auxiliary contact of contactor 2xMO	F-MO DILA-XH20	MOELLER	91.041.010	1	/21.4			
<p>The manufacturer reserves use an equivalent component.</p>							3.b		
 <p>BOMAR, s.r.o. Teřebnř 1236/1 CZ 627 00, Brno</p>		<p>Name page: <b>Parts list</b></p>		<p>Version: Power supply Edited by Date:</p>		<p>ESANS0-20/V1.4 3x400V, 50Hz, PE, N 26.3.2012</p>		<p>Page: 3.a Pages: 30</p>	

0	1	2	3	4	5	6	7	8	9
<b>Parts list</b>									
Device identification	Device description	Type number	supplier	part number	Quantity	Location (page,column)			
-KM3	Contact	DIL EM-01-G 24V DC	MOELLER	91.040.024	1	/20.0			
-KM4.1	Contact 5.5KW, with NC	DILM12-01	MOELLER	91.040.025	1	/20.7			
-KM4.2	Contact 5.5KW, with NC	DILM12-01	MOELLER	91.040.025	1	/20.8			
-KM4.2	Auxiliary contact fort Moeller Contactor, 2xNO	DILA-XH120	MOELLER	91.141.010	1	/20.8			
-KM4.2	Mechanical blocking for contactors	DILM12-XMV	MOELLER	91.041.012	1	/20.8			
-KM5	Contact	DIL EM-01-G 24V DC	MOELLER	91.040.024	1	/20.2			
-KM501	Contact 5.5KW, with NO	DILM12-10	MOELLER	91.040.026	1	/11.7			
-KM501	Auxiliary contact of contactor 1xNO 1xNC	F-MO DILA-XH11	MOELLER	91.041.013	1	/11.7			
-KM502	Contact 5.5KW, with NO	DILM12-10	MOELLER	91.040.026	1	/11.7			
-KM502	Auxiliary contact of contactor 1xNO 1xNC	F-MO DILA-XH11	MOELLER	91.041.013	1	/11.7			
-LP1	Lamp 12V/20W	LBP-B 30 Z	RNDR Zdeněk Martiniásek	91.100.103	1	/10.8			
-LQ1.1	Laser barrier - transmitter	BLS 18KW-XX-1LT-S4-L	BALLUFF	91.400.004	1	/17.6			
-LQ1.1	Sensor cable	MOD.15/4 M12 SL LC10		91.142.002	1	/17.6			
-LQ1.2	Laser barrier - receiver	BLS 18KW-PA-1LT-S4-C	BALLUFF	91.400.003	1	/17.7			
-LQ1.2	Sensor cable	MOD.15/4 M12 SL LC10		91.142.002	1	/17.7			
-M1	Pump 3x230/400V, 50Hz, 120W	4COA4-14HP1		91.020.016	1	/7.2			
-M3	Asynchronous motor 3x230/400V, 50Hz, 0.25KW	BN71A4	BONFIGLIOLI		1	/7.8			
-M4	Asynchronous motor 3x230/400V, 50Hz, 0.55KW	BN80A4FA	BONFIGLIOLI	91.001.063	1	/8.1			
-M5	Asynchronous motor with gearbox 3x400V, 50Hz, 1.1kW, 2.8A	MDEMABR 080-42 + GKRO5-2NHA			1	/9.2			
-M7	Asynchronous motor 3x230/400V, 50Hz, 0.37KW	BN71B4	BONFIGLIOLI	91.001.106	1	/9.4			
-M8	Asynchronous motor 3x400V, 50Hz, 4kW, 8.4A	BN112M4	BONFIGLIOLI		1	/9.7			
-M9	Cooling ventilator 230V, 50Hz, 0.12A	RAH1278B1-C	XFAN	91.015.105	1	/10.1			
-OP177B	Simatic Panel OP177B Blue mode STW display	6AV6642-0DC01-1AX1	SIEMENS	91.995.621	1	/14.3			
-OP177B	SIMATIC DP-BUS CONNECTOR FOR PROFIBUS	6ES7972-0BA41-0XA0	SIEMENS	91.141.090	1	/14.3			
-PA1	Fuse case for cylindrical fuse 10x38mm, size 10	OPV10/3	OEZ	91.241.002	1	/9.2			
-PA1	Cylindric fuse 16A, 10x38 fast, gG characteristic	PV10 16A gG	OEZ	91.230.020	3	/9.2			
-PA2	Fuse case for cylindrical fuse 10x38mm, size 10	OPV10/3	OEZ	91.241.002	1	/9.4			
-PA2	Cylindric fuse 10A, 10x38 fast, gG characteristic	PV10 10A gG	OEZ	91.231.008	3	/9.4			
<b>The manufacturer reserves use an equivalent component.</b>									
 <b>BOMAR, s.r.o.</b> Těšební 1236/1 CZ 627 00, Brno		Name page: <b>Parts list</b>		Version: Power supply Edited by Date:		ES NS30-20/1.14 3x400V, 50Hz, PE, N		Page: 3b Pages: 30	


3.a


3.c

0	1	2	3	4	5	6	7	8	9	
<b>Parts list</b>										
Device identification	Device description	Type number	supplier	part number	Quantity	Location (page,column)				
-PA3	Fuse case for cylindrical fuse 10x38mm, size 10	OPV10/3	OEZ	91.241.002	1	/9.7				
-PA3	Cylindric fuse 16A, 10x38 fast, gG characteristic	PV10 16A gG	OEZ	91.230.020	3	/9.7				
-PA4	Fuse case for cylindrical fuse 10x38mm, size 10	OPV10/3	OEZ	91.241.002	1	/10.2				
-PA4	Cylindric fuse 2A, 10x38 fast, gG characteristic	PV10 2A gG	OEZ	91.230.034	3	/10.2				
=OP-PR1	Potentiometer 5k	TP195 4x7/N20A		91.283.015	1	/16.3				
=OP-PR1	head of potentiometer 24mm	S8877BLK		91.060.063	1	/16.3				
-PWRL	Power supply 20A, 3x360-520VAC / 24VDC	MURR Evolution 24V/20A	MURR	91.085.020	1	/10.3				
-QS1	Main switch 32A	VCF1-32A	TELEMECANIQUE	91.170.012	1	/7.1				
-RCF1	RCF filter	FBOPR1624		91.041.015	1	/7.1				
-RCF2	RCF filter	FBOPR1624		91.041.015	1	/7.4				
-RCF3	RCF filter	FBOPR1624		91.041.015	1	/7.7				
-RCF4	RCF filter	FBOPR1624		91.041.015	1	/8.0				
-RCF5	RCF filter	FBOPR1624		91.041.015	1	/8.7				
-SA1	Head of 3 positional switch	M22-WRK3	MOELLER	91.060.051	1	/18.0				
-SA1	Attaching adapter + NO contact	M22-AK10	MOELLER	91.061.021	1	/18.0				
-SA1	NO contact for Moeller adapter	M22-K10	MOELLER	91.061.022	1	/18.0				
-SB1	Attaching adapter + NO contact	M22-AK10	MOELLER	91.061.021	1	/17.8				
-SB1	Green translucent switch head	M22-DL-G	MOELLER	91.060.031	1	/17.8				
-SB1	Green light for Moeller adapter	M22-LED-G	MOELLER	91.061.023	1	/17.8				
-SB2	Black switch head	M22-D-S	MOELLER	91.060.035	1	/17.8				
-SB2	Attaching adapter + NC contact	M22-AK01	MOELLER	91.061.020	1	/17.8				
-SB10	Attaching adapter + NO contact	M22-AK10	MOELLER	91.061.021	2	/20.1				
-SB10	Black switch head	M22-D-S	MOELLER	91.060.035	2	/20.4				
-SB10	NO contact for Moeller adapter	M22-K10	MOELLER	91.061.022	2	/20.4				
-SB11	Attaching adapter + NO contact	M22-AK10	MOELLER	91.061.021	2	/21.6				
-SB11	Black switch head	M22-D-S	MOELLER	91.060.035	2	/20.1				
-SB11	NO contact for Moeller adapter	M22-K10	MOELLER	91.061.022	2	/20.1				
-SB12	Attaching adapter + NO contact	M22-AK10	MOELLER	91.061.021	2	/20.1				
<p>The manufacturer reserves use an equivalent component.</p>										
 BOMAR, s.r.o. Teřební 1236/1 CZ 627 00, Brno		Name page: <b>Parts list</b>		Version: Power supply Edited by: Date:		ES NS30-20/V1.4 3x400V, 50Hz, PE, N 26.3.2012		Page: 3.c Pages: 30		

3.b

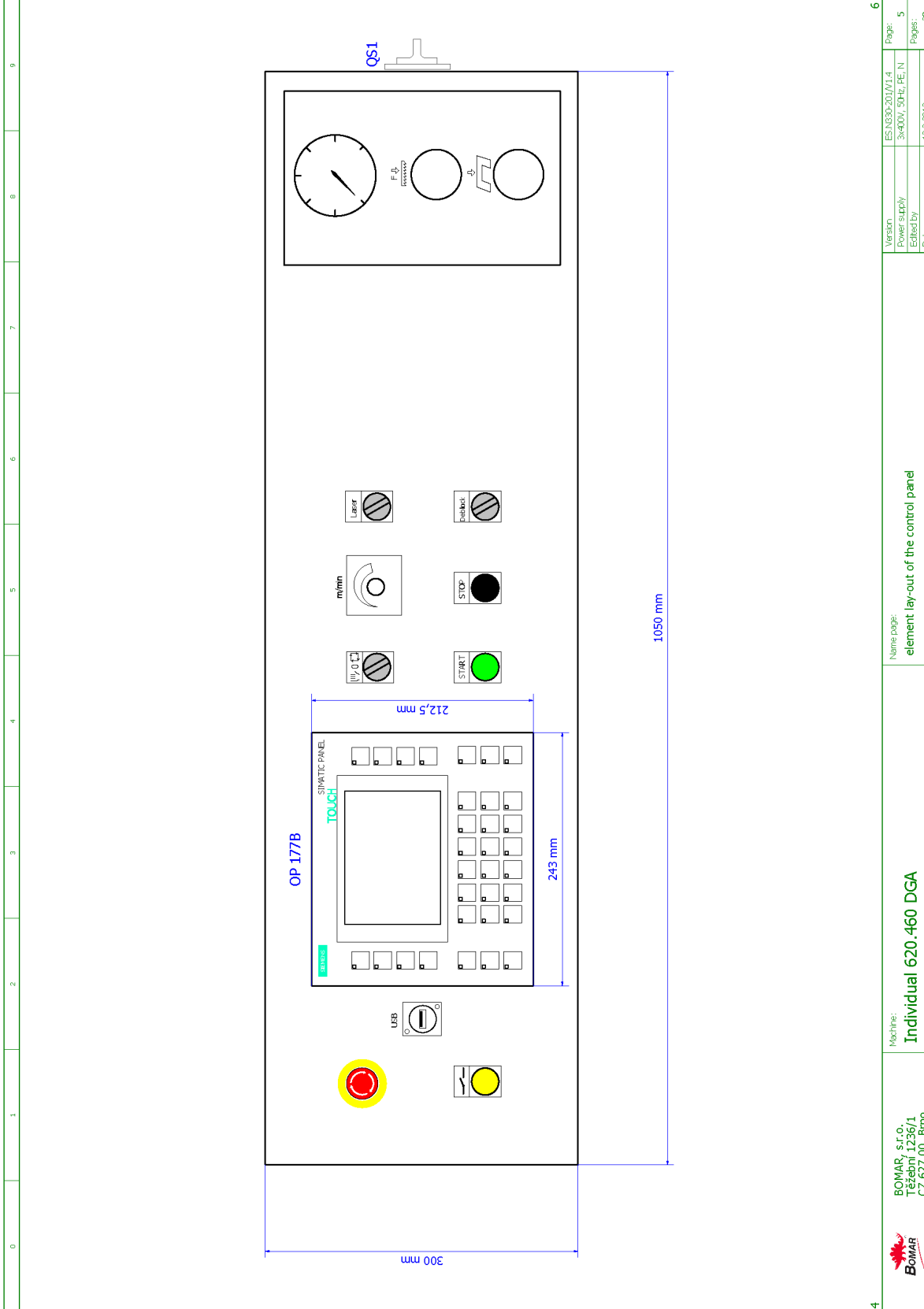
3.d

0	1	2	3	4	5	6	7	8	9
<b>Parts list</b>									
Device identification	Device description	Type number	supplier	part number	Quantity	Location (page,column)			
-SB12	Blackt switch head	M22-D-S	MOELLER	91.060.035	2	/20.1			
-SB12	NO contact for Moeller adapter	M22-K10	MOELLER	91.061.022	2	/20.5			
-SB500	Attaching adapter + NC contact	M22-AK01	MOELLER	91.061.020	1	/11.3			
-SB500	Head of safety switch (Total Stop)	M22-PVT 263467	MOELLER	91.060.030	1	/11.3			
-SB500	NC contact for Moeller adapter	M22-K01	MOELLER	91.061.024	2	/11.3			
-SB510	Attaching adapter + NO contact	M22-AK10	MOELLER	91.061.021	1	/11.5			
-SB510	Yellow translucent switch head	M22-DL-Y	MOELLER	91.060.053	1	/11.5			
-SB510	White light for Moeller adapter	M22-LED-W	MOELLER	91.061.034	1	/11.8			
-SP1	Hydraulic pressure switch 20-50bar, NO contact, G1/4"	166415031059	ARGO HYTOS	92.201.003	1	/18.2			
-SP2	Hydraulic pressure switch 20-50bar, NO contact, G1/4"	166415031059	ARGO HYTOS	92.201.003	1	/18.4			
-SP3	Hydraulic pressure switch 20-50bar, NO contact, G1/4"	166415031059	ARGO HYTOS	92.201.003	1	/19.4			
-SP4	Hydraulic pressure switch 20-50bar, NO contact, G1/4"	166415031059	ARGO HYTOS	92.201.003	1	/19.5			
-SQ1	Limit switch	D4N-4A32	OMRON	91.173.010	1	/17.2			
-SQ2	The exact limit switch, 1NC, 1NO	BNS 819 - 99 - D - 13	BALLUFF	91.173.016	1	/17.4			
-SQ3	Limit switch	D4N-4A32	OMRON	91.173.010	1	/17.7			
-SQ5	Mechanical limit switch VDE 0660 1xNO/1xNC	PZ-FK3301-M1	PIZZATO	91.173.015	1	/18.1			
-SQ6	Limit switch	D4N-4A31	OMRON	91.173.007	1	/18.2			
-SQ7	Limit switch with roller, 1xNO/1xNC	PZ-FR555-M2	PIZZATO	91.173.018	1	/18.3			
-SQ8	Limit switch with roller, 1xNO/1xNC	PZ-FR555-M2	PIZZATO	91.173.018	1	/18.4			
-SQ9	Sensor cable M8	CF08SB-6		91.142.003	1	/18.5			
-SQ9	Inductive limit switch Sn=1,5mm	JPS 30D 081.5 PNOFC		91.172.009	1	/18.5			
-SQ10	Inductive limit switch Sn=1,5mm	JPS 30D 081.5 PNOFC		91.172.009	1	/18.6			
-SQ10	Sensor cable M8	PLM8-6		91.142.004	1	/18.6			
-SQ11	Limit switch with roller, 1xNO/1xNC	PZ-FR555-M2	PIZZATO	91.173.018	1	/19.1			
-SQ12	Limit switch with roller, 1xNO/1xNC	PZ-FR555-M2	PIZZATO	91.173.018	1	/19.1			
-SQ13	Mechanical limit switch VDE 0660 1xNO/1xNC	PZ-FK3301-M1	PIZZATO	91.173.015	1	/19.2			
-SQ14	Limit switch	D4N-4A32	OMRON	91.173.010	1	/19.3			
-SQ15	Sensor cable M8	CF08SB-6		91.142.003	1	/19.4			
<p>The manufacturer reserves use an equivalent component.</p>									
 <p>BOMAR, s.r.o.          Tešební 1236/1          CZ 627 00, Brno</p>		Name page: <b>Parts list</b>		Version: Power supply Edited by Date		Page: 3.d Pages: 30		3.e ESNG90-201/1.4 3x400V, 50Hz, PE, N 26.3.2012	

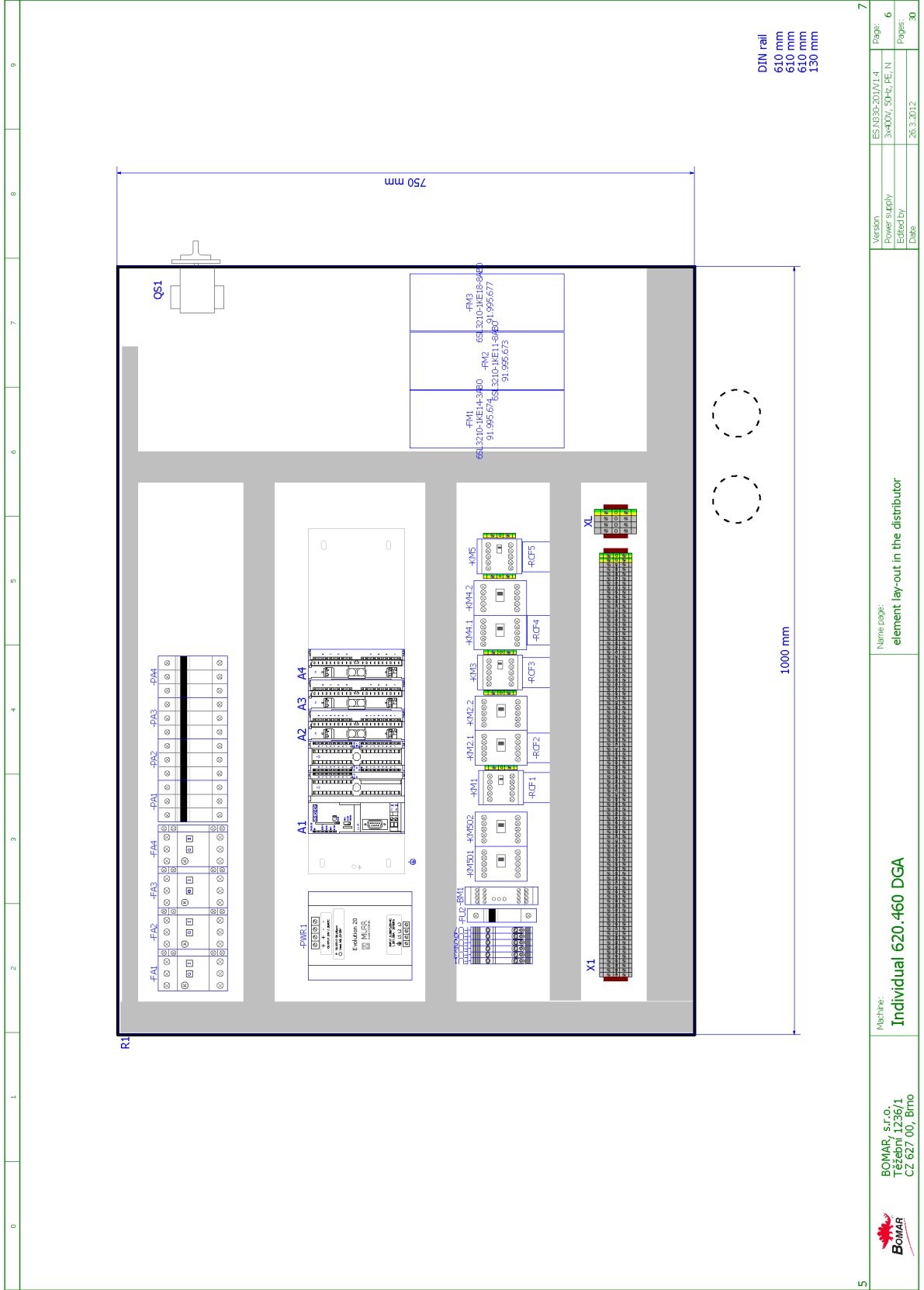
0	1	2	3	4	5	6	7	8	9	
<b>Parts list</b>										
Device identification	Device description	Type number	supplier	part number	Quantity	Location (page,column)				
-SQ15	Inductive limit switch Sn=1,5mm	JPS 30D 081.5 PNOFC		91.172.009	1	/19.4				
-SQ16	Inductive limit switch Sn=1,5mm	JPS 30D 081.5 PNOFC		91.172.009	1	/19.6				
-SQ16	Sensor cable M8	PLM8-6		91.142.004	1	/19.6				
-SQ501	Safety limit switch, 2xNC	QK38	KEDU	91.173.012	1	/11.3				
-SQ502	Safety limit switch, 2xNC	QK38	KEDU	91.173.012	1	/11.3				
-XL	DIN clamp, blue, 4mm	WK 4/U BLAU	WIELAND	91.251.104	1	/7.0				
-XL	DIN grounding clamp, yellow+green, 4mm	WK 4SL/U	WIELAND	91.251.105	1	/7.0				
-XL	DIN clamp, gray, 4mm	WK4/U	WIELAND	91.251.103	3	/7.0				
<p>The manufacturer reserves use an equivalent component.</p>										
 BOMAR, s.r.o. Teřebín 1236/1 CZ 627 00, Břno		Machine: <b>Individual 620.460 DGA</b>		Name page: <b>Parts list</b>		Version: Power supply Edited by Date		ES NS90-201/1.4 3x400V, 50Hz, PE, N 26.3.2012		Page: 3 e Pages: 30



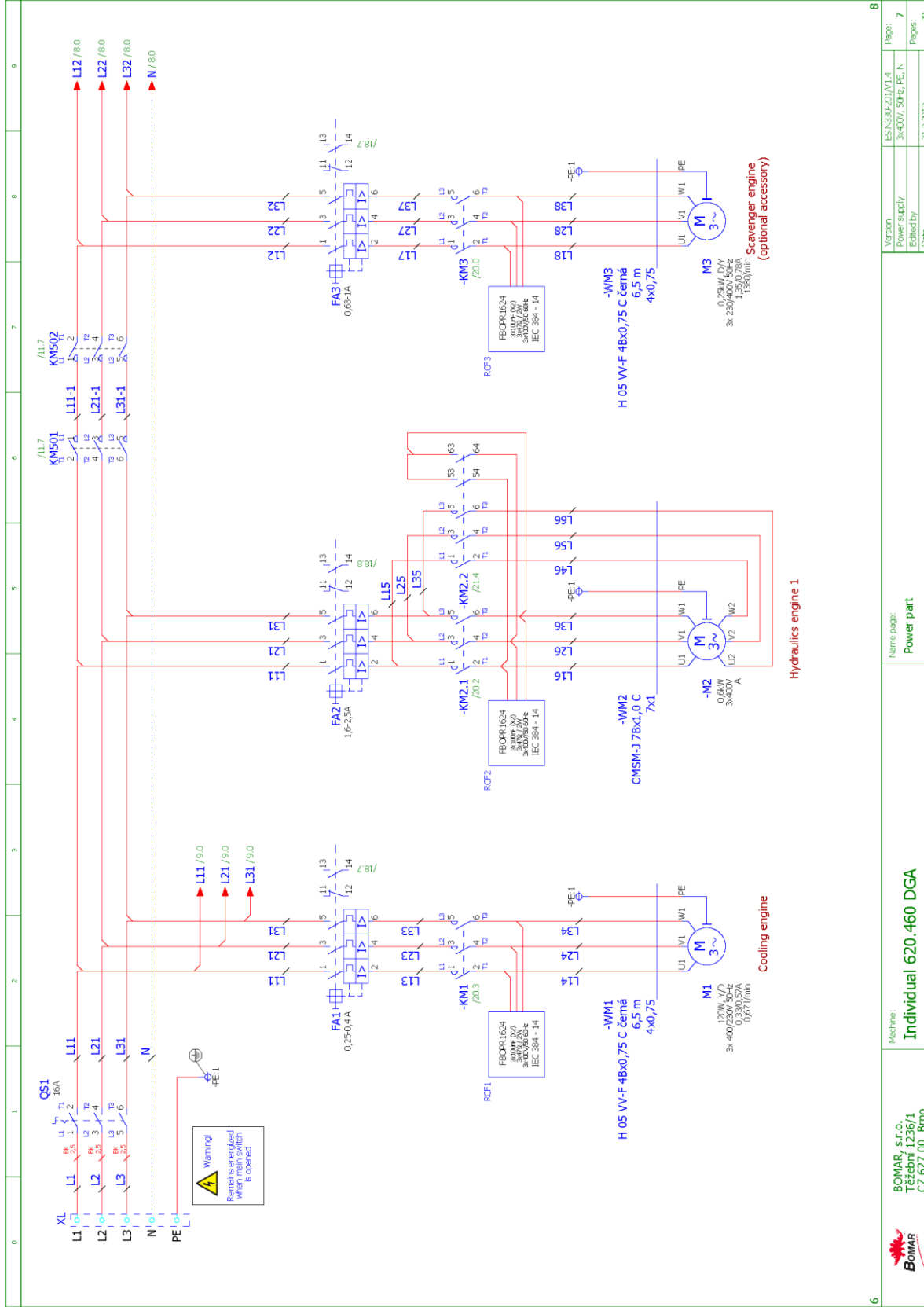
F10_001									
Cable name	Source (from)	Target (to)	cable type	all conductors	Conductors used	Cross-section [mm]	Length [m]	function text	Graphical page of cable diagram
-WA11	-A1-3	-FM3	JZ-HF-CY 2x0,5	2	2	0,5	1,2		
	-A1-20								
-WA01	-A1-4	-FM1	JZ-HF-CY 2x0,5	2	2	0,5	0,8		
	-A1-16								
-WA02	-A1-16	-FM2	JZ-HF-CY 2x0,5	2	1	0,5	0,9		
-WM1	-KM1	-M1	H 05 VV-F 4Bx0,75 C černá	4	4	0,75	6,5		
	-PE								
-WM2	-KM2.1	-M2	CMSM-J 7Bx1,0 C	7	7	1			
	-PE								
	-KM2.2								
-WM3	-KM3	-M3	H 05 VV-F 4Bx0,75 C černá	4	4	0,75	6,5		
	-PE								
-WM4.1	-X10	-KM4.1	CMSM-J 7Bx1,0 C	7	14	1			
		-M4							
		-PE							
		-KM4.2							
-WM4.2			JZ-603 7x1,0	7	0	1			
-WM5			CMFM 4Bx0,75	4	0	0,75			
-WM7	-FM2	-M7	CMFM 4Bx0,75	4	4	0,75			
-WM8	-FM3	-M8	CMFM 4Bx1,5	4	4	1,5			



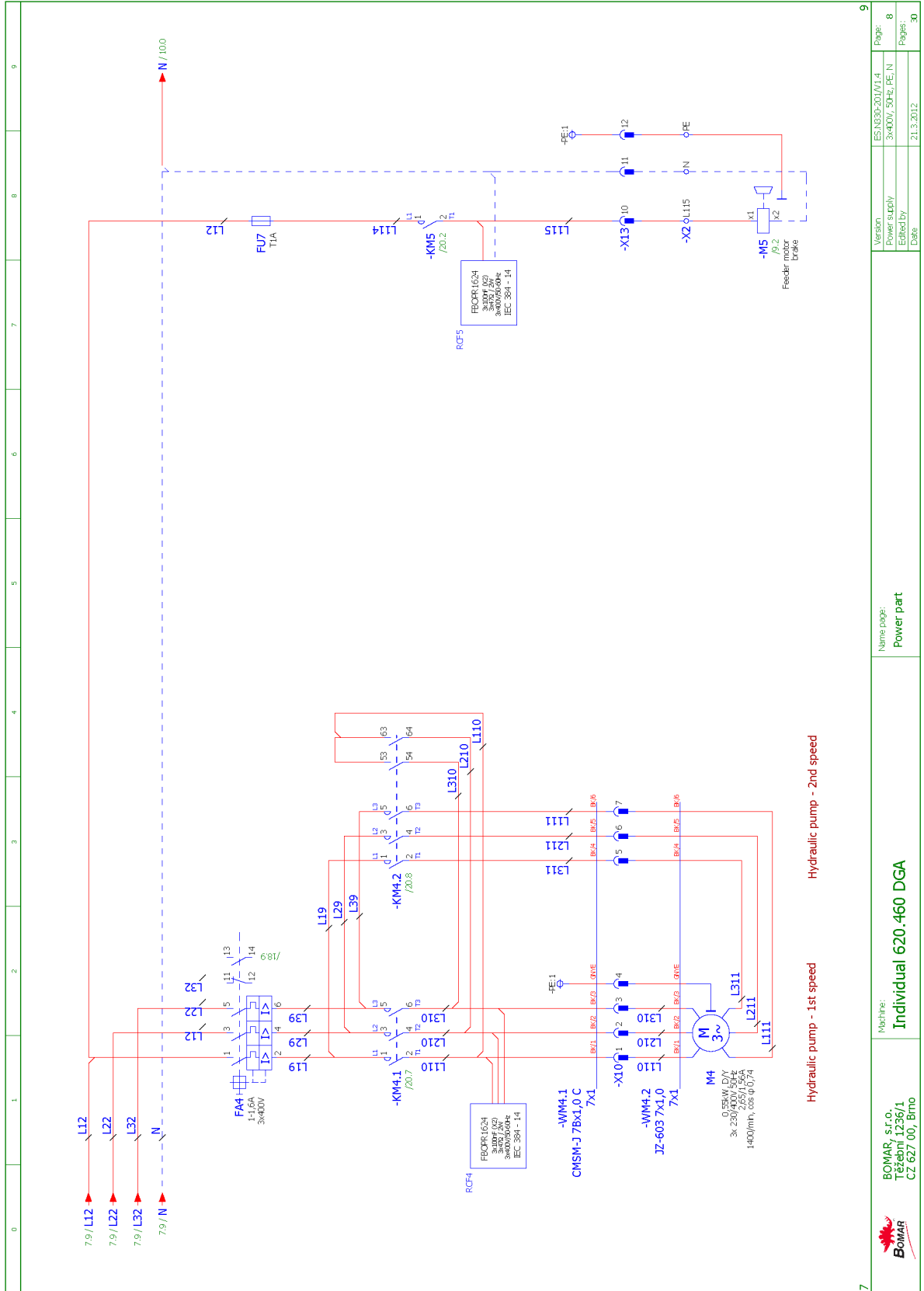
4	BOMAR, s.r.o. Teřební 1236/1 CZ 627 00, Břno	Machine: <b>Individual 620.460 DGA</b>	Name page: <b>element lay-out of the control panel</b>	Version Power supply Edited by Date	ESNG90-201/VI-4 3x400V, 50Hz, PE, N 13.2.2012	Page: 5 Pages: 30	6
---	--	---	---	--	---	----------------------------	---



5	Měřítko: <b>Individual 620.460 DGA</b>	Name page: <b>element lay-out in the distributor</b>	Version: Power supply Edited by Date	ES NS30-200/V1.4 3x400V, 50-hz, PE, N  26.3.2012	Page: <b>6</b> Pages: <b>30</b>
---	---	---	---	---	--

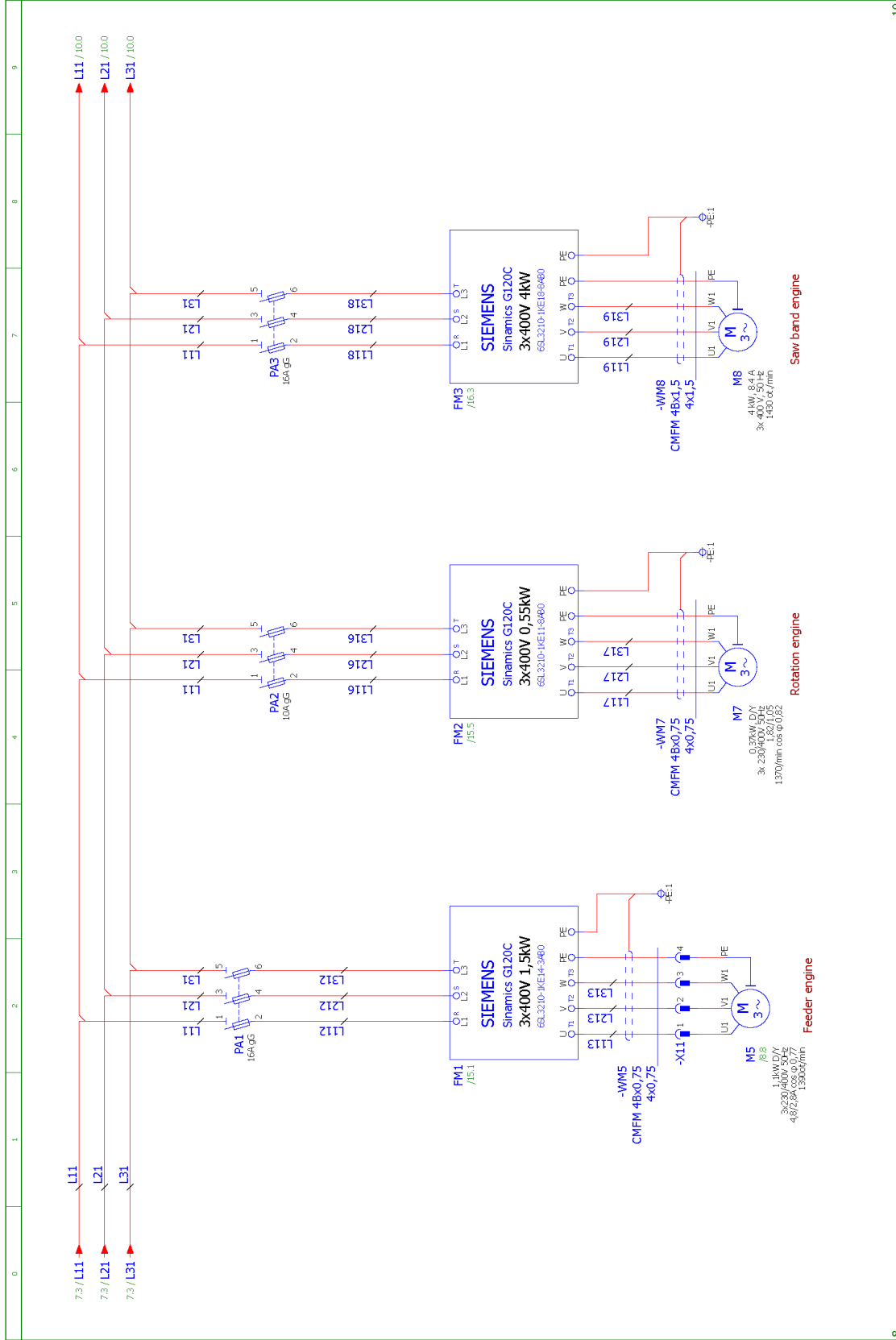


6	Name page: <b>Power part</b>	Machine: <b>Individual 620.460 DGA</b>	Version	ES NS30-20/W1.4	Page:	7
			Power supply	3x400V, 50Hz, PE, N	Edited by	
8			Date:	21.3.2012	Pages:	30

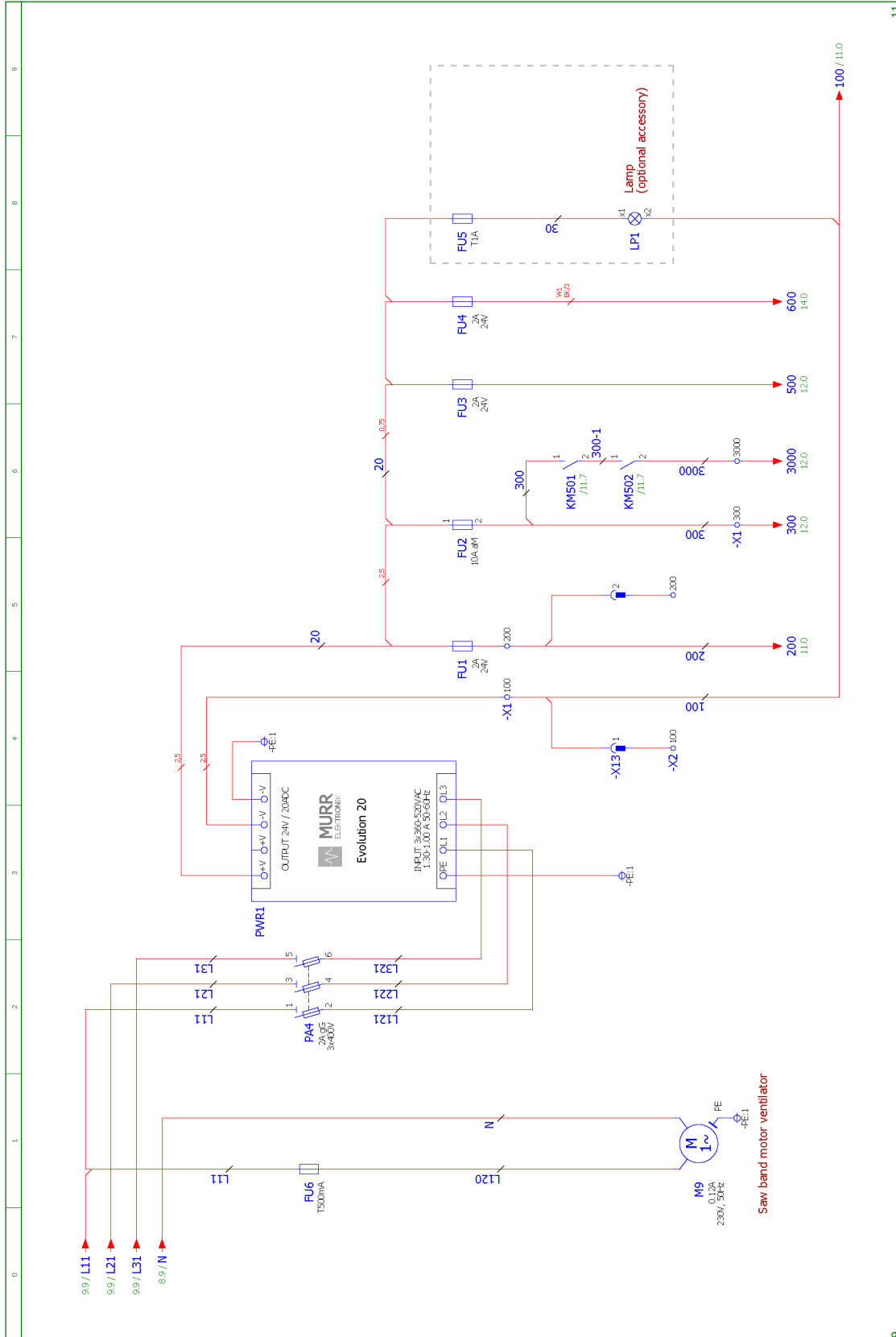


Hydraulic pump - 1st speed      Hydraulic pump - 2nd speed

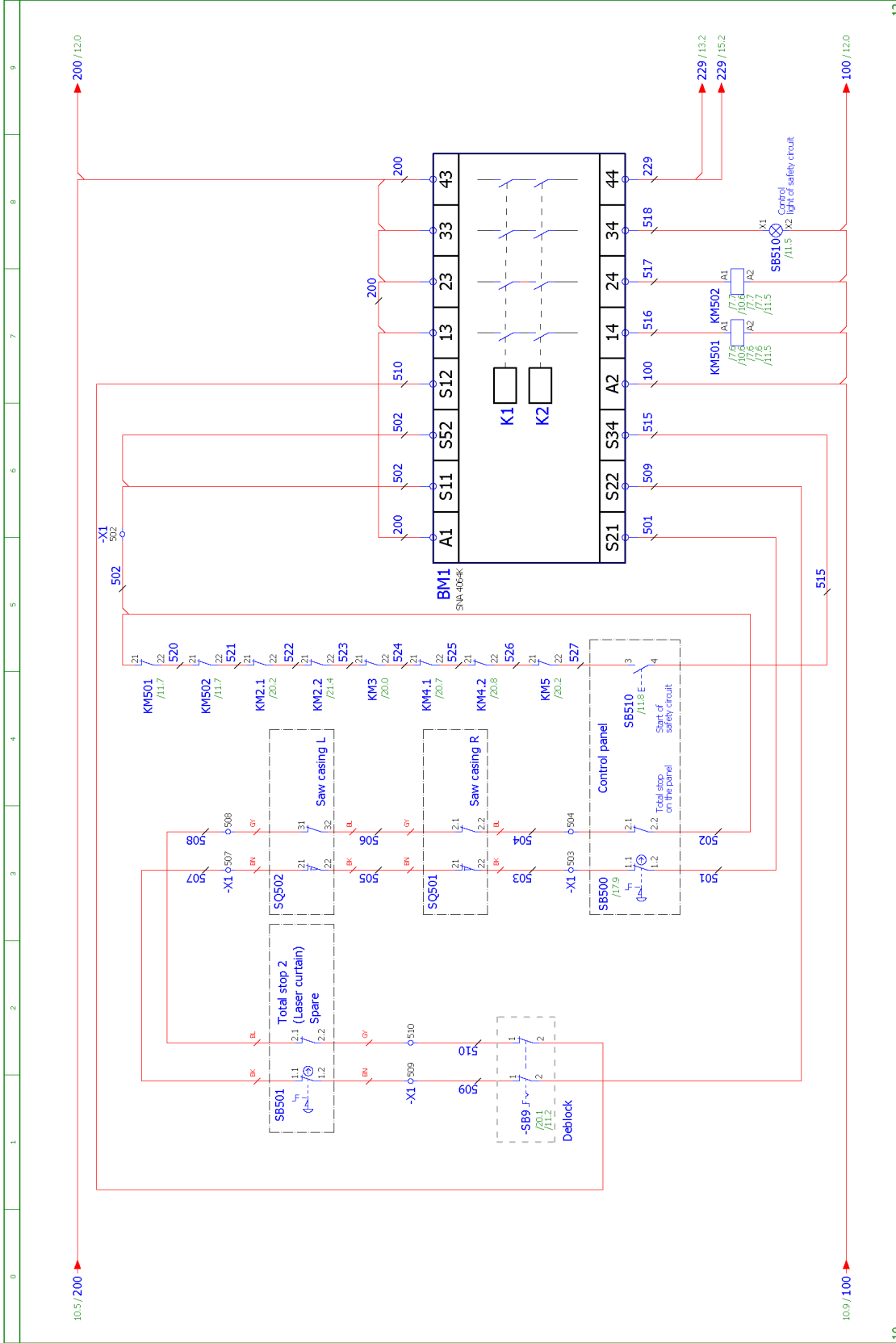
7		9	
Name page: <b>Power part</b>		Version: Power supply Edited by Date:	ES NS30-20/V1.4 3x400V, 50-hz, PE, N 21.3.2012
Machine: <b>Individual 620.460 DGA</b>		Page: 8	Pages: 30
<p>BOMAR, s.r.o. Těžební 1236/1 CZ 627 00, Brno</p>			



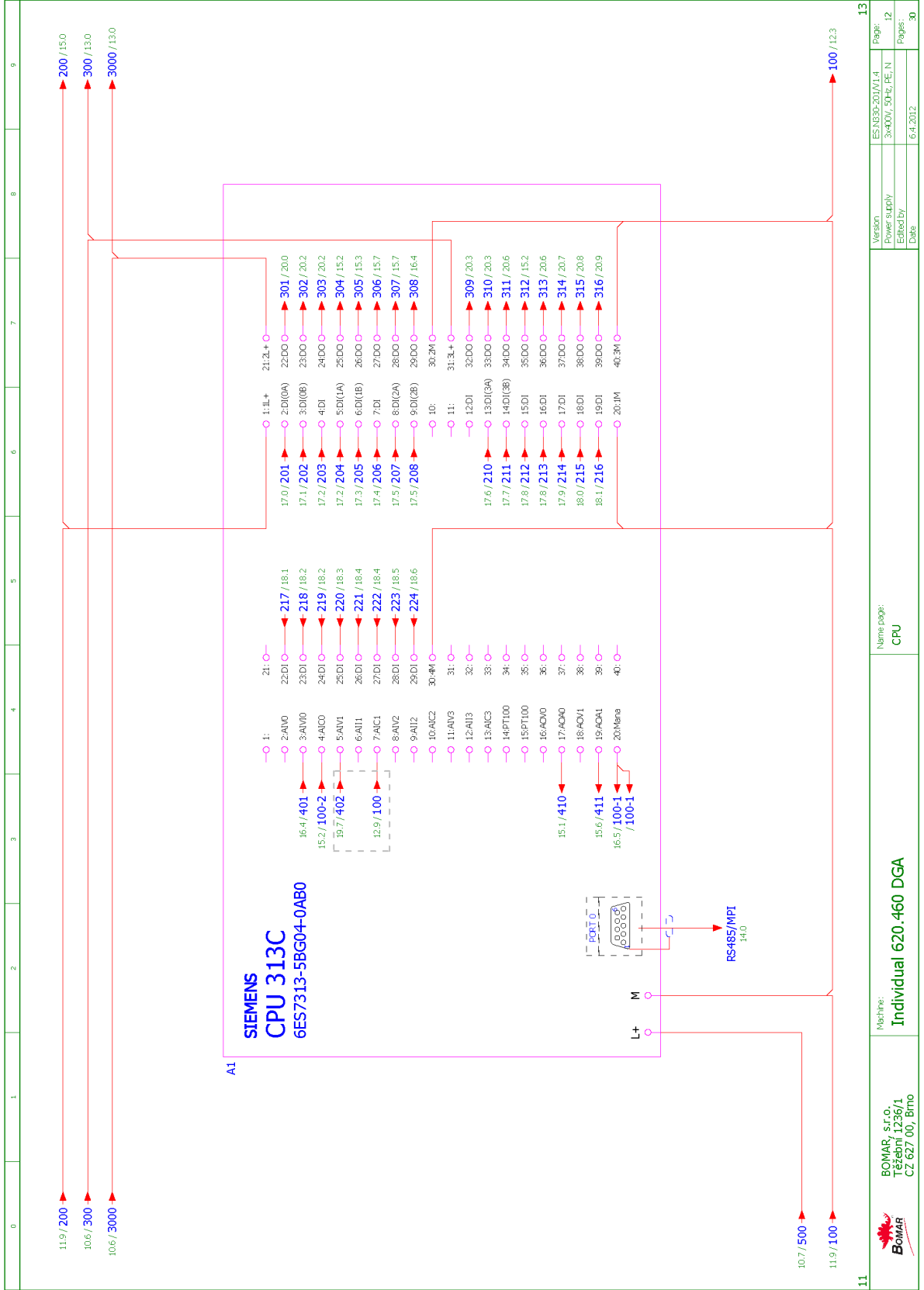
8	 BOMAR, s.r.o. Tešební 1236/1 CZ 627 00, Brno	Machine: <b>Individual 620.460 DGA</b>	Name page: <b>Power part</b>	Version: Power supply Edited by Date:	ES NS30-20/V1.4 3x400V, 50-hz, PE, N  26.3.2012	Page: 9  Pages: 30	10
---	--	---	---------------------------------	--	--	--------------------------------	----

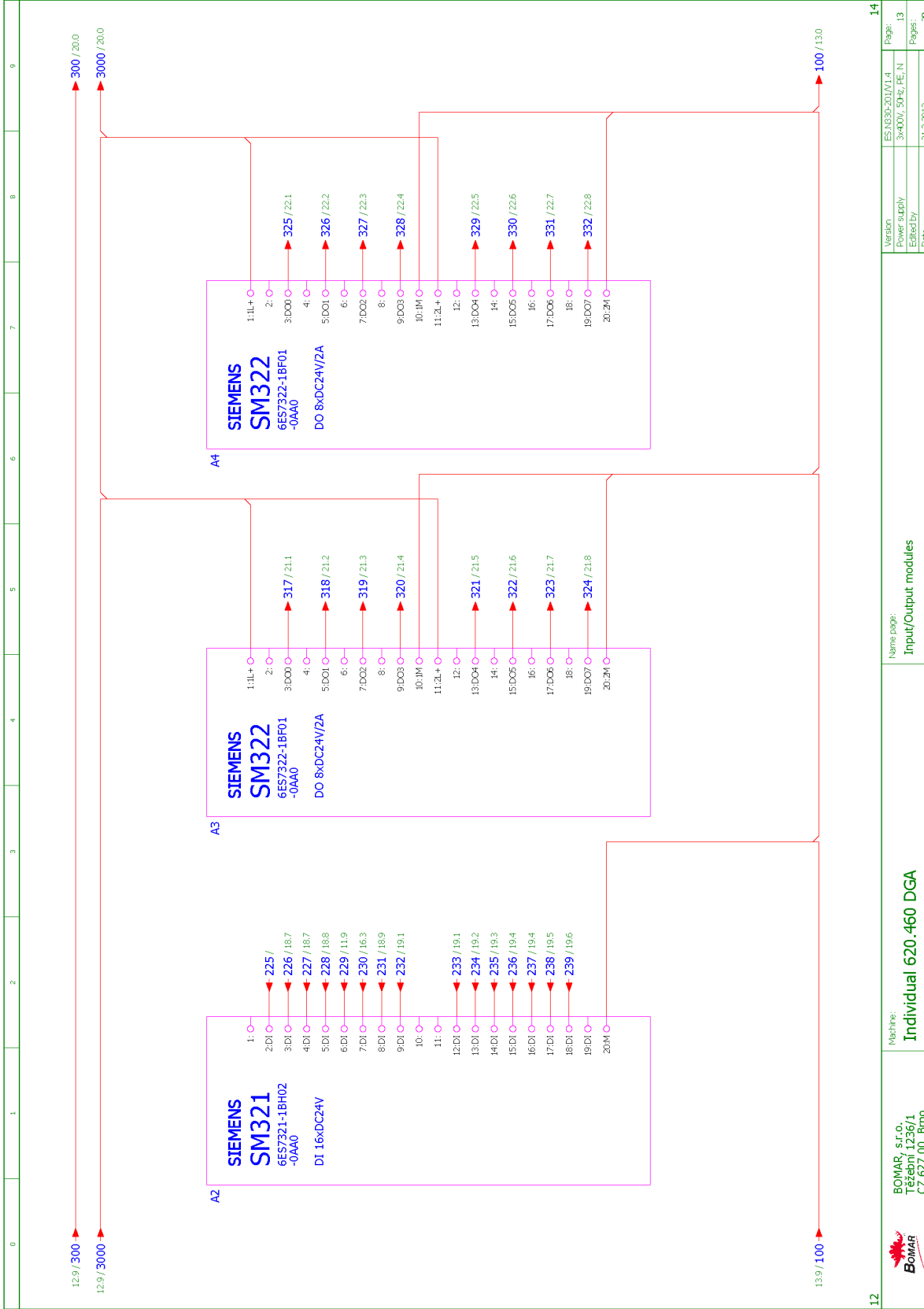


9	Name page: Power supply block		Version: ES NS30-200/V1.4		11
Machine: Individual 620.460 DGA		Power supply		Page: 10	
BOMAR, s.r.o. Těšební 1236/1 CZ 627 00, Brno		Edited by:		Pages: 30	
Měříte: 30		Date: 26.3.2012			





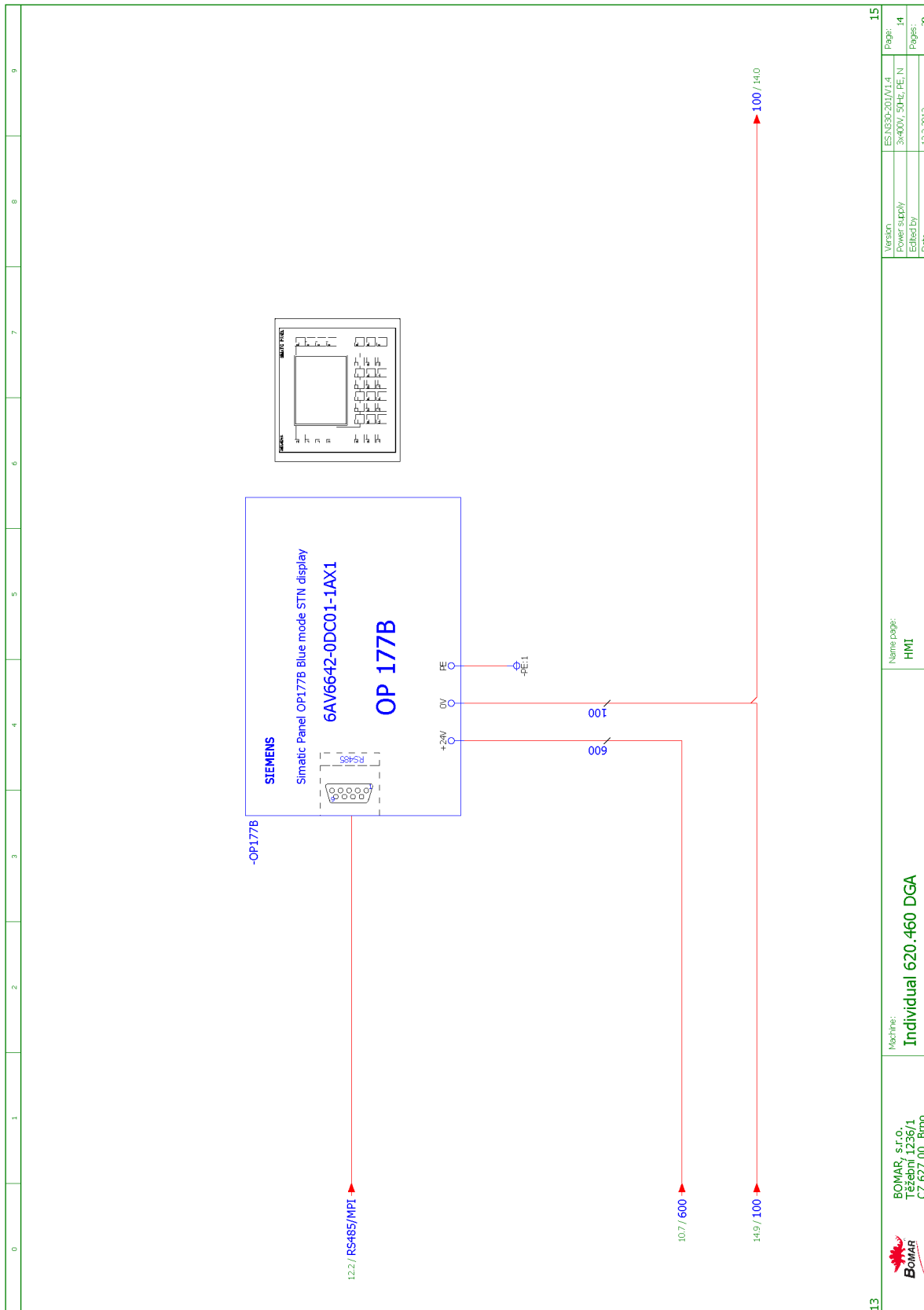


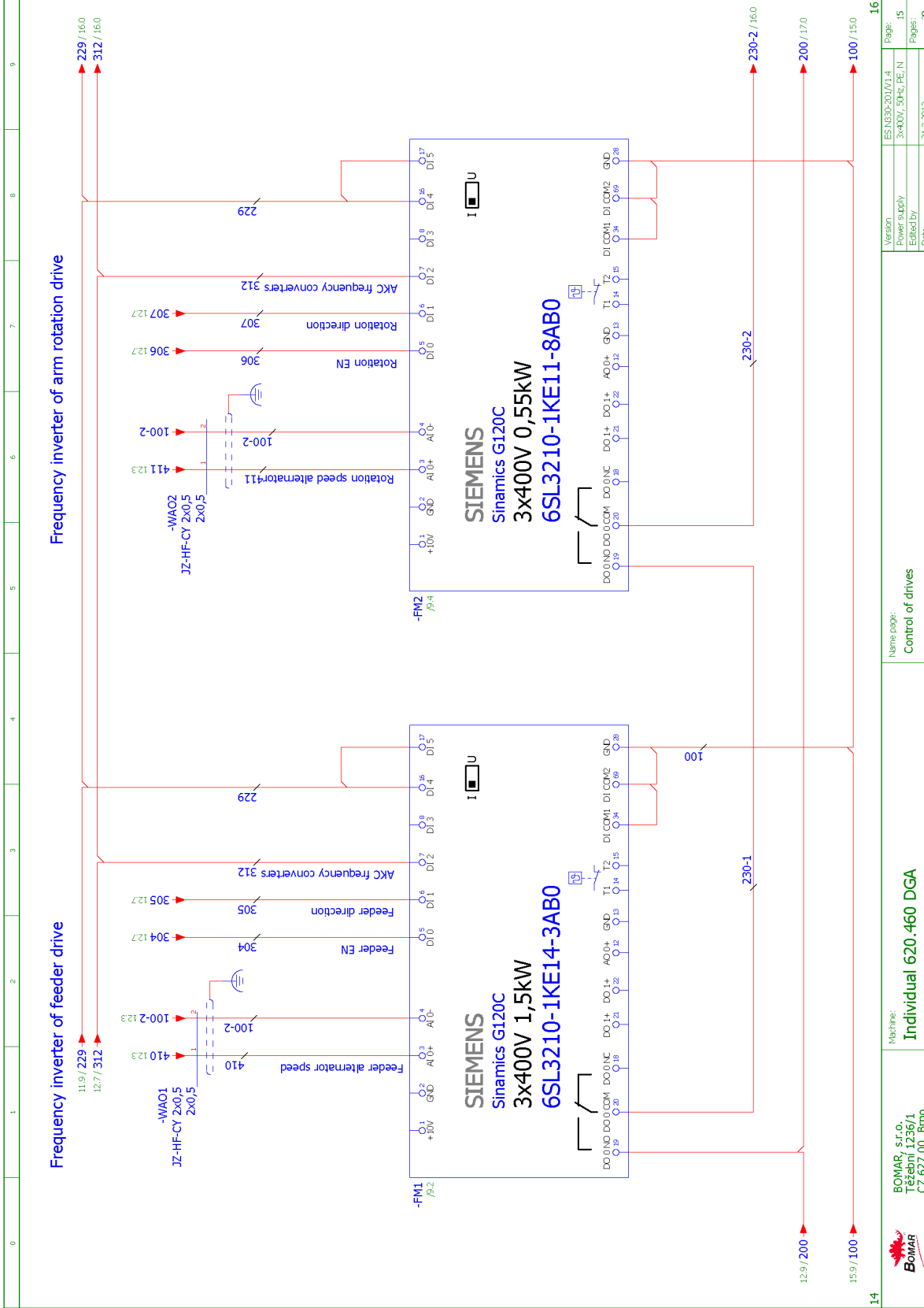


12	Version: Power supply Edited by: Date:	ES NS30-20/V1.4 3x400V, 50Hz, PE, N 21.3.2012	Page: 13 Pages: 30
13	Name page:	Input/Output modules	
14	Module:	Individual 620.460 DGA	

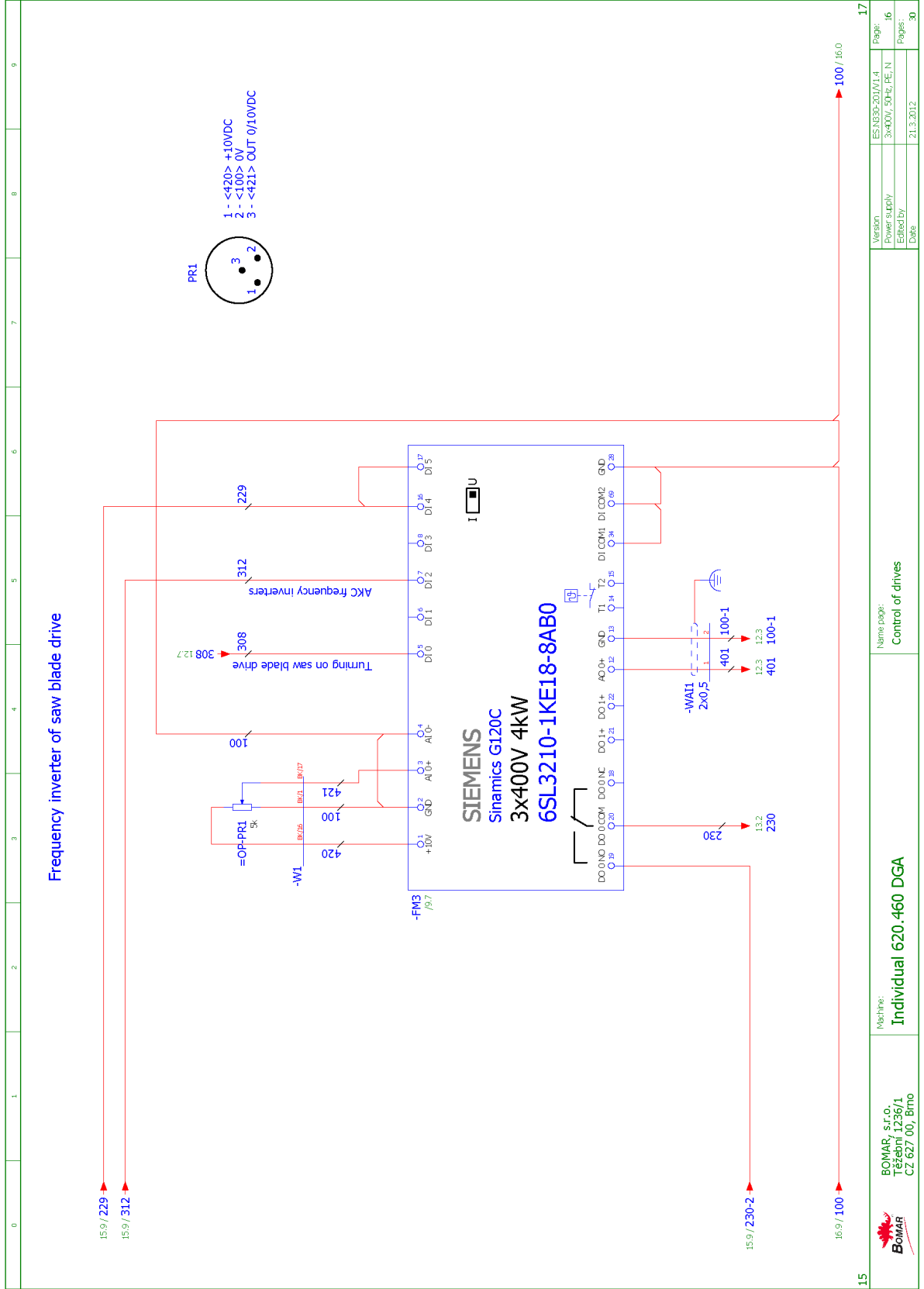


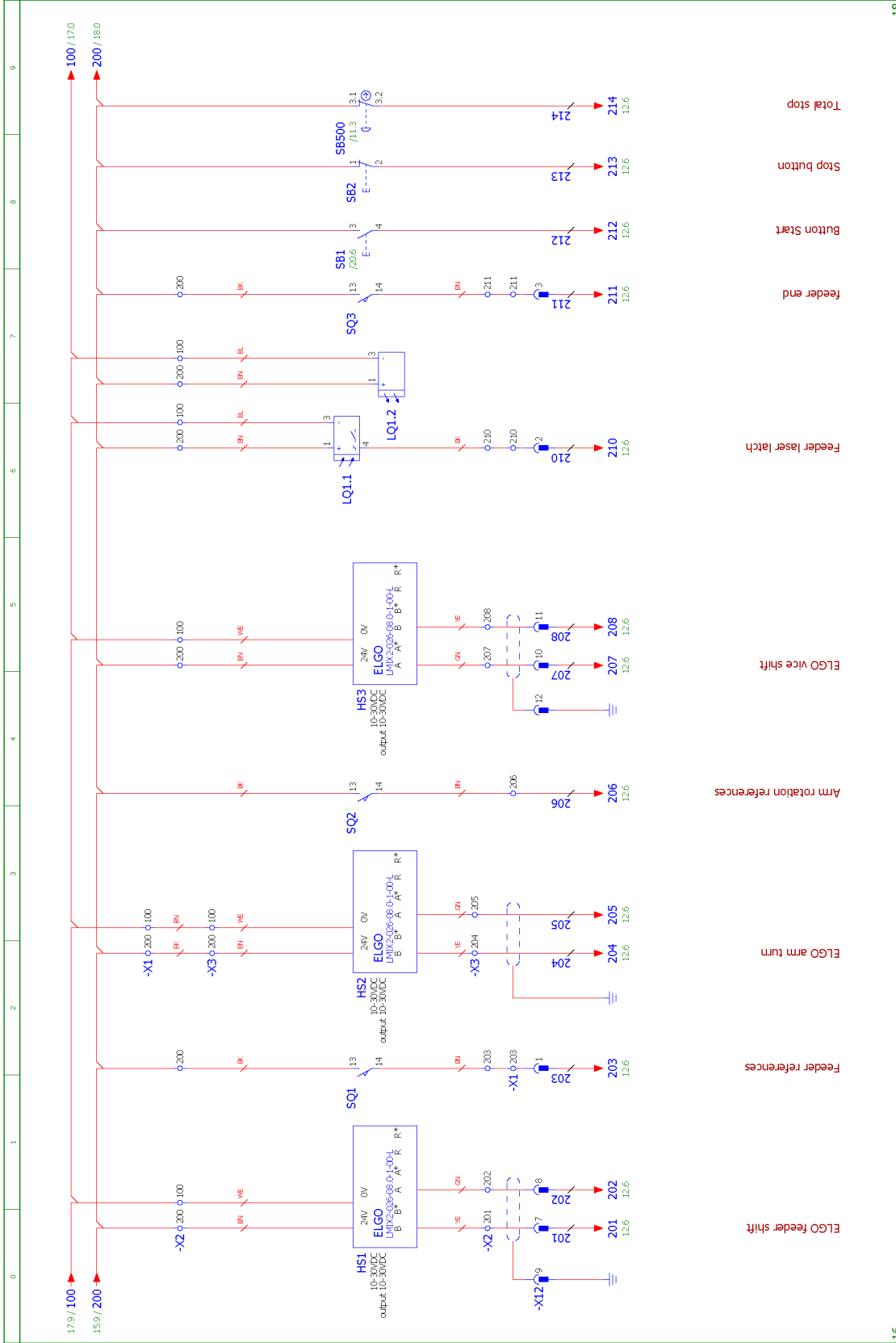
BOMAR, s.r.o.  
Teřebnř 1236/1  
CZ 627 00, Brno





14	BOMAR, s.r.o. Teřební 1236/1 CZ 627 00, Brno	Měříte: Individual 620.460 DGA	Name page: Control of drives	Version: ES NS30-20U1.4 Power supply: 3x400V, 50-hz, PE, N Edited by: Date:	Page: 15 Pages: 30	16
----	--	--------------------------------	------------------------------	--	-----------------------	----

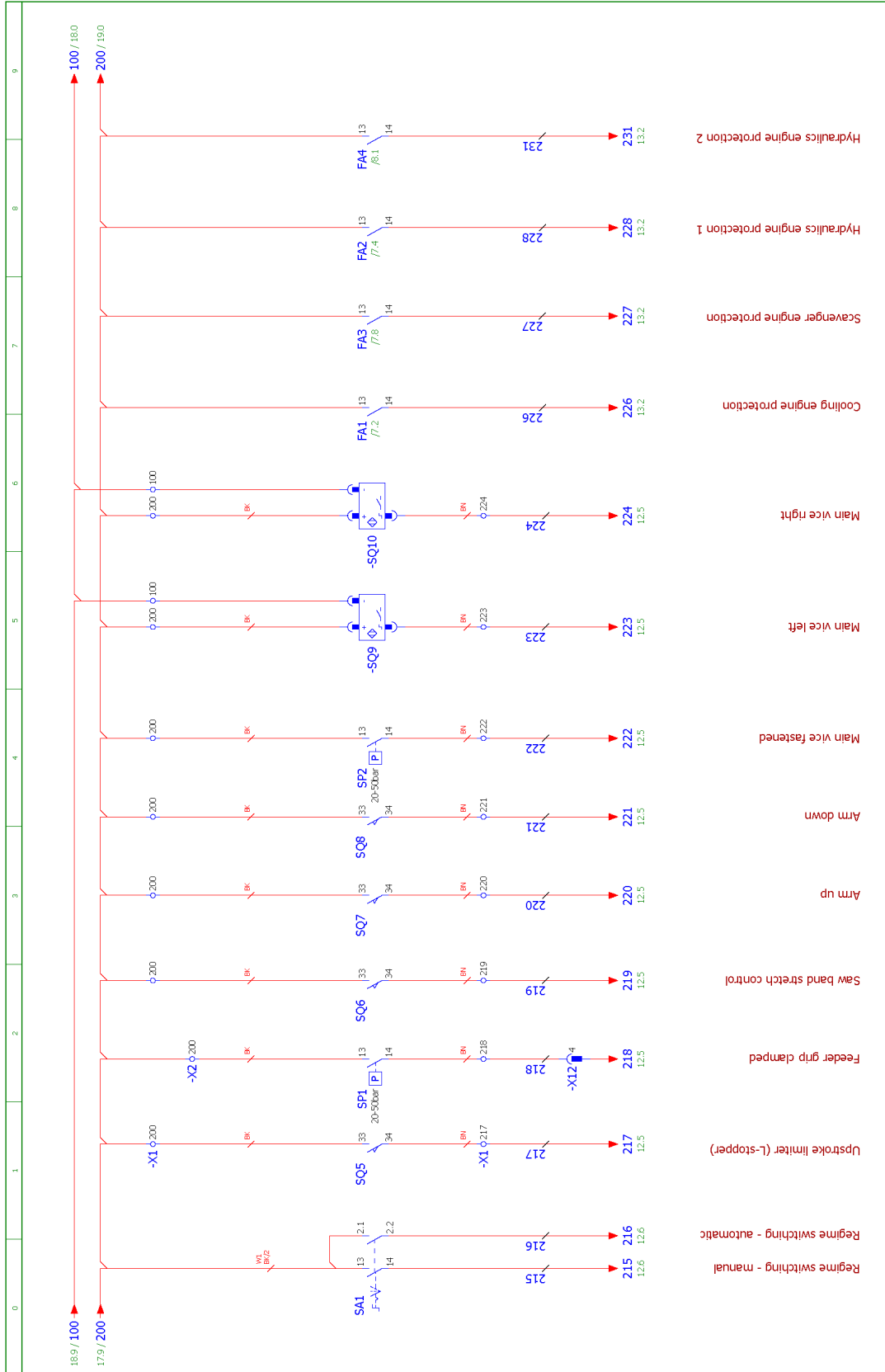




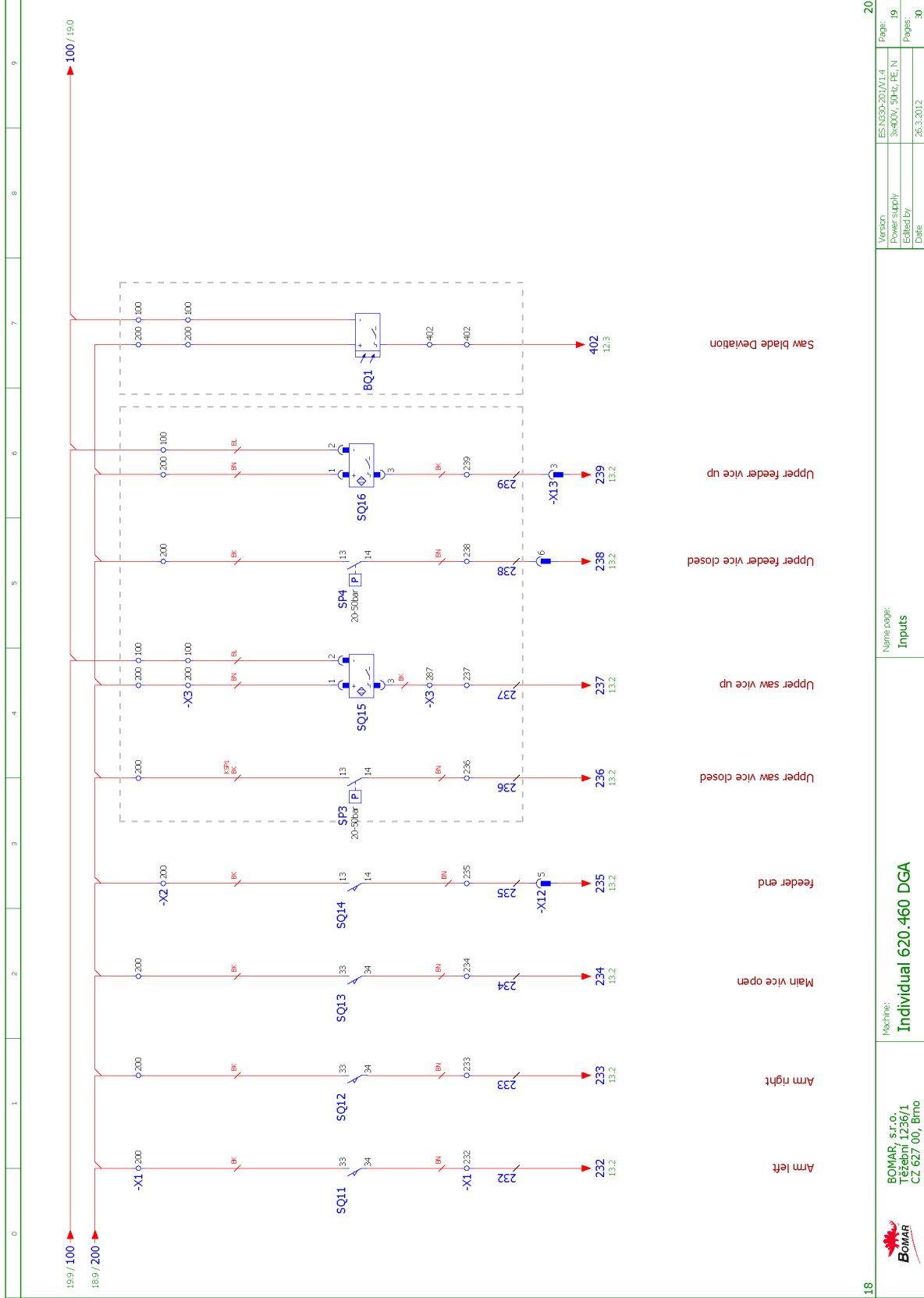
16	18
Name page: <b>Inputs</b>	Version: Power supply: Edited by: Date:
Model: <b>Individual 620.460 DGA</b>	ES NS30-200/V1.4 3x400V, 50-hz, PE, N
BOMAR, s.r.o., Težební 1236/1, CZ 627 00, Brno	Page: 17 Pages: 30

- ELGO feeder shift
- Feeder references
- ELGO arm turn
- Arm rotation references
- ELGO vice shift
- Feeder laser latch
- Feeder end
- Button Start
- Stop button
- Total stop

**Schémata  
Schemas  
Schematics**

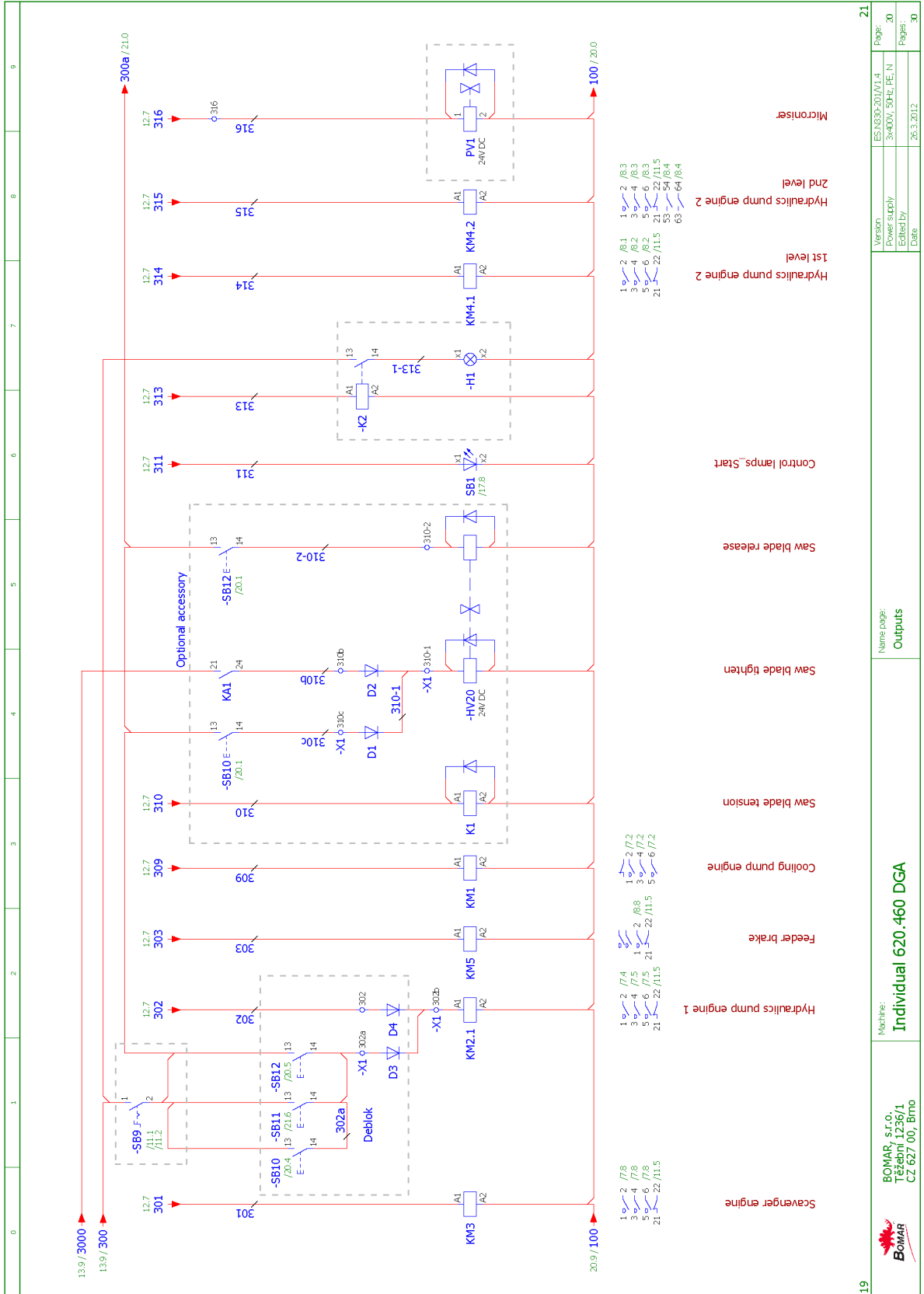


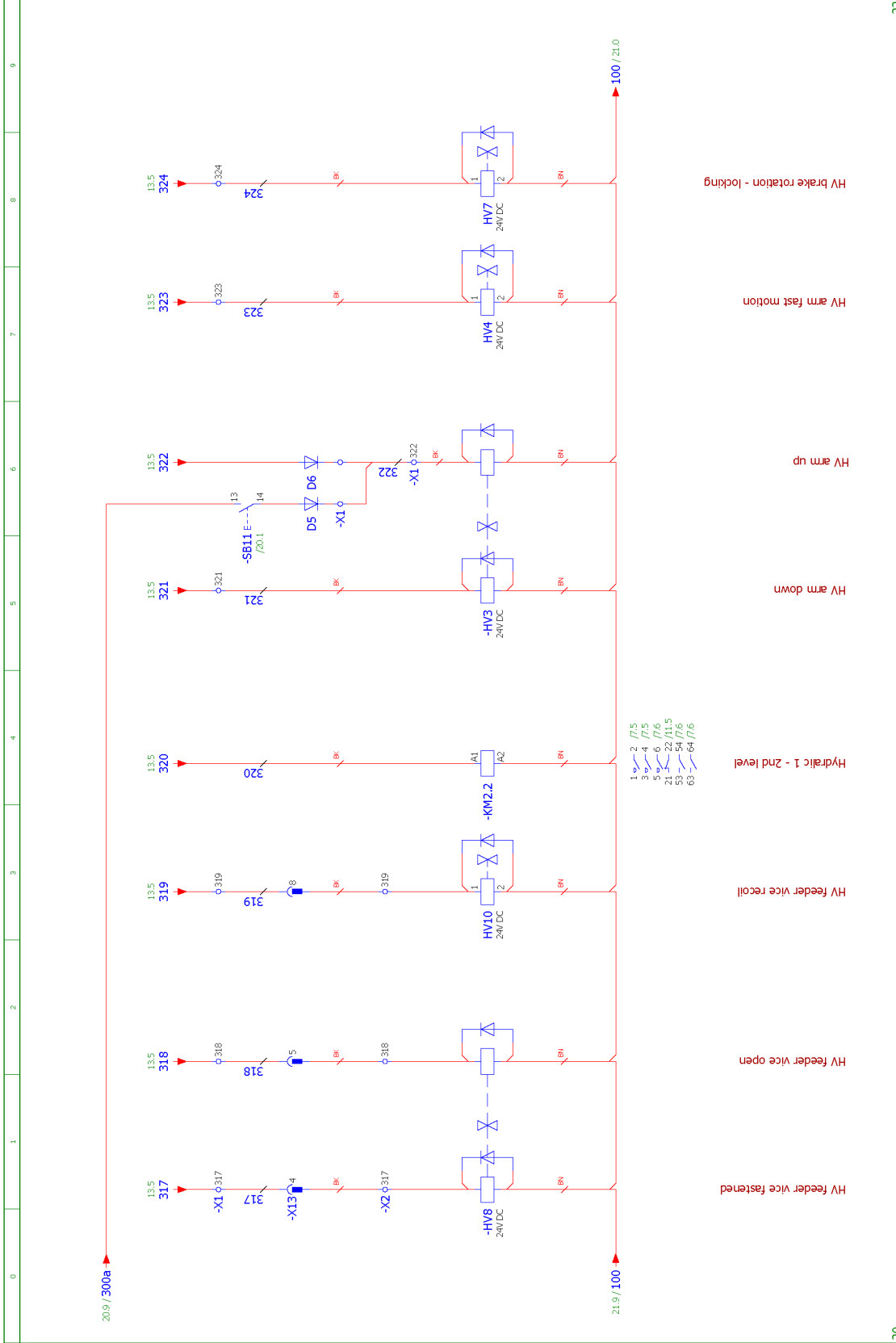
17	Name page: <b>Inputs</b>	Machine: <b>Individual 620.460 DGA</b>	19
Version: Power supply		BOMAR, s.r.o. Těšební 1236/1 CZ 627 00, Břno	Page: 18
Edited by:			Pages: 30
Date:	26.3.2012		30



18	BOMAR, s.r.o. Teřební 1236/1 CZ 627 00, Břno	Machine: <b>Individual 620.460 DGA</b>	Name page: <b>Inputs</b>	Version Power supply Edited by Date	ESNG90-201/11-4 3x400V, 50Hz, PE, N  26.3.2012	Page: <b>19</b>	Pages: <b>30</b>
----	--	---	-----------------------------	--	---	--------------------	---------------------

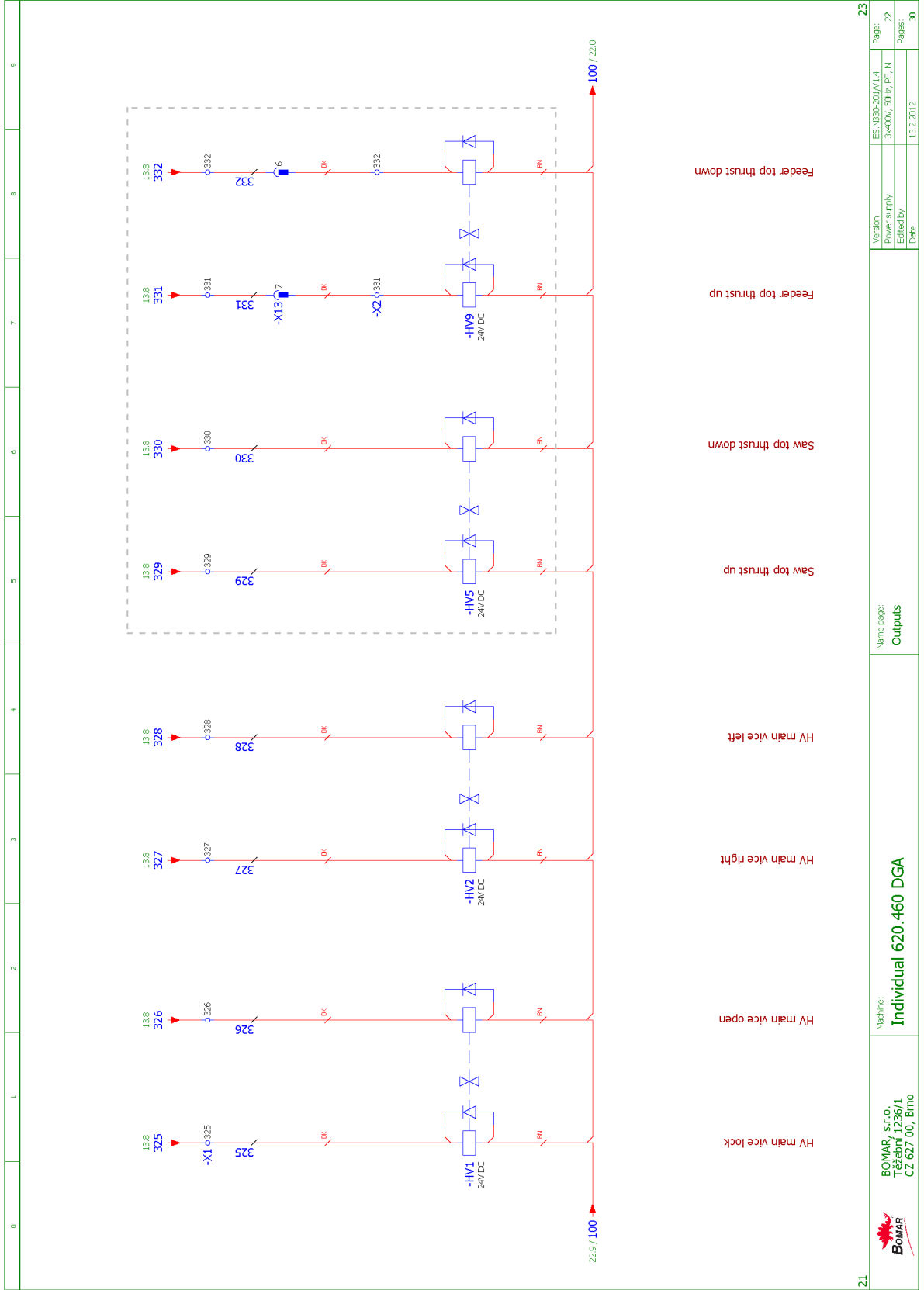






20	 BOMAR, s.r.o. Teřební 1236/1 CZ 627 00, Břno	Mothies: <b>Individual 620.460 DGA</b>	Name page: <b>Outputs</b>	Version Power supply Edited by Date	ESNG90-201/11-4 3x400V, 50Hz, PE, N  21.3.2012	Page: 21 Pages: 30	22
----	--	---	------------------------------	--	---	-----------------------------	----

**Schemata  
Schemata  
Schematics**





6.2. Elektrické schéma /  
 Elektroschema /  
 Wiring diagrams – 3×400 V, TN-C


0	1	2	3	4	5	6	7	8	9		
											
<h1 style="color: blue;">Individual 620.460 DGA</h1>											
<p style="color: blue;">3x230V, 50Hz, PE</p> <p style="color: blue;">Wiring diagram</p> <p style="color: blue;">ES.N330-203/V1.4</p>											
											
<p style="color: blue;">Bomar, spol. s r.o.        Těžební 1236/1        627 00 Brno        Czech republic</p>											
<p>Year : 2012</p>											
			<p><b>BOMAR, s.r.o.</b>        Těžební 1236/1        CZ 627 00, Brno</p>				<p>Machine:  <b>Individual 620.460 DGA</b></p>		<p>Name page:  <b>Start page</b></p>	<p>Version:        ES.N330-203/V1.4        Power supply:        3x230V, 50Hz, PE        Edited by:        Date:        13.2.2012</p>	<p>Page:        0        Pages:        30</p>

Page	Name of page	Edited by	Date
0	Start page		13.2.2012
1	Table of contents		26.3.2012
1.a	Table of contents		26.3.2012
2	Technical specifications		26.3.2012
3	Parts list		26.3.2012
3.a	Parts list		26.3.2012
3.b	Parts list		26.3.2012
3.c	Parts list		26.3.2012
3.d	Parts list		26.3.2012
3.e	Parts list		26.3.2012
4	Cable overview		26.3.2012
5	element lay-out of the control panel		13.2.2012
6	element lay-out in the distributor		26.3.2012
7	Power part		26.3.2012
8	Power part		26.3.2012
9	Power part		26.3.2012
10	Power supply block		26.3.2012
11	Safety circuit		26.3.2012
12	CPU		26.3.2012
13	Input/Output modules		21.3.2012
14	HMI		13.2.2012
15	Control of drives		26.3.2012
16	Control of drives		26.3.2012
17	Inputs		26.3.2012
18	Inputs		26.3.2012
19	Inputs		26.3.2012
20	Outputs		26.3.2012
21	Outputs		21.3.2012


0	BOMAR, s.r.o., Těžební 1236/1 CZ 627 00, Brno	Machine: <b>Individual 620.460 DGA</b>	Name page: <b>Table of contents</b>	Version: Power supply Edited by: Date:	ES NS30-209/1.4 3x230V, 50-hz, PE	Page: <b>1</b>	Pages: <b>30</b>
---	---	---	--	---	--------------------------------------	-------------------	---------------------


0	1	2	3	4	5	6	7	8	9
<b>Table of contents</b>									
Page	Name of page	Edited by		Date					
22	Outputs			13.2.2012					
23	Terminal connection			13.2.2012					
1	 BOMAR, s.r.o. Tešební 1236/1 CZ 627 00, Břno	Machines: <b>Individual 620.460 DGA</b>	Name page: <b>Table of contents</b>		Version Power supply Edited by Date	ES NS90-203/1.4 3x420V, 50Hz, PE  26.3.2012	Page: 1 a Pages: 30	2	


0	1	2	3	4	5	6	7	8	9	
<p><u>Technical specifications</u></p> <p>Rated voltage 3x230V, 50Hz, PE          Input lead 4x2,5mm<sup>2</sup>          Input current 28 A          Prefuse max. 32 A          Installed power 10 kVA          Degree of cabinet protection IP 54          Control voltage 24 V          Environment Normal</p> <p>Control system Siemens Simatic S7-300          Drives Siemens Micromaster 420</p>		<p><u>Machine parts</u></p> <p>R1 Control cabinet          OP1 Control panel          P Base          RP Saw frame          FD Feeder</p>								
<p>1.a</p> <p> BOMAR, s.r.o.          Tešební 1236/1          CZ 627 00, Brno</p>		<p>Machine:  <b>Individual 620.460 DGA</b></p>		<p>Name page:  <b>Technical specifications</b></p>				<p>Version          Power supply ES/NG90-203/V1.4          Edited by 3x230V, 50Hz, PE          Date 26.3.2012</p>		<p>Page: 2          Pages: 30</p>

0	1	2	3	4	5	6	7	8	9	
<b>Parts list</b>										
Device identification	Device description	Type number	supplier	part number	Quantity	Location (page.column)				
-A1	Simatic S7-300, CPU 313C	6ES7313-5BG04-0AB0	SIEMENS	91.995.670	1	/12.1				
-A1	SIMATIC S7-300, FRONT CONNECTOR WITH SPRING CONTACTS, 40-PIN	6ES7392-1BM01-0AA0	SIEMENS	91.995.672	2	/12.1				
-A1	Memory Card MMC for SIMATIC S7-300/C7/ET 200, 3.3V, 64KB	6ES7953-8LF20-0AA0	SIEMENS	91.995.628	1	/12.1				
-A1	SIMATIC S7-300, RAIL L=480mm	6ES7390-1AE80-0AA0	SIEMENS	91.995.626	1	/12.1				
-A1	BUS CONNECTOR FOR PROFIBUS WITH PC SOCKET	EasyCom PB 90	VIPA	91.995.606	1	/12.1				
-A2	Simatic SM321, 16xDC 24VDC	6ES7321-1BH02-0AA0	SIEMENS	91.995.624	1	/13.0				
-A2	SIMATIC S7-300, FRONT CONNECTOR WITH SPRING CONTACTS, 20-PIN	6ES7392-1B000-0AA0	SIEMENS	91.995.671	1	/13.0				
-A3	Simatic SM322, 8xDC 24VDC/ZA	6ES7322-1BF01-0AA0	SIEMENS	91.995.625	1	/13.3				
-A3	SIMATIC S7-300, FRONT CONNECTOR WITH SPRING CONTACTS, 20-PIN	6ES7392-1B000-0AA0	SIEMENS	91.995.671	1	/13.3				
-A4	Simatic SM322, 8xDC 24VDC/ZA	6ES7322-1BF01-0AA0	SIEMENS	91.995.625	1	/13.6				
-A4	SIMATIC S7-300, FRONT CONNECTOR WITH SPRING CONTACTS, 20-PIN	6ES7392-1B000-0AA0	SIEMENS	91.995.671	1	/13.6				
-BM1	Safety relay	SNA 4064K	WIELAND	91.051.026	1	/11.5				
-BQ1	Analog sensor	BIL-EDO-P160A-01-S75	BALLUFF	91.172.015	1	/19.7				
-D1	Diode 3A	1N5408		91.280.003	1	/20.4				
-D2	Diode 3A	1N5408		91.280.003	1	/20.4				
-FA1	Motor-overcurrent circuit breaker auxiliary contacts	GZ1AN11	TELEMECANIQUE	91.046.004	1	/7.2				
-FA1	Motor-overcurrent circuit breaker 0.63-1A	GZ1M05	TELEMECANIQUE	91.235.023	1	/7.2				
-FA2	Motor-overcurrent circuit breaker 1.6-2.5A	GZ1M07	TELEMECANIQUE	91.235.030	1	/7.4				
-FA2	Motor-overcurrent circuit breaker auxiliary contacts	GZ1AN11	TELEMECANIQUE	91.046.004	1	/7.4				
-FA3	Motor-overcurrent circuit breaker 1-1.6A	GZ1M06	TELEMECANIQUE	91.235.024	1	/7.8				
-FA3	Motor-overcurrent circuit breaker auxiliary contacts	GZ1AN11	TELEMECANIQUE	91.046.004	1	/7.8				
-FA4	Motor-overcurrent circuit breaker 1.6-2.5A	GZ1M07	TELEMECANIQUE	91.235.030	1	/8.1				
-FA4	Motor-overcurrent circuit breaker auxiliary contacts	GZ1AN11	TELEMECANIQUE	91.046.004	1	/8.1				
-FM1	Frequency converter MICROMASTER 420, 3x230V, 1.5kW	6SE6420-2UC21-5BA1	SIEMENS	91.012.056	1	/9.2				
-FM1	MICROMASTER BOP - operator panel	6SE6400-0BP00-0AA0	SIEMENS	91.995.591	1	/9.2				
-FM2	Frequency converter MICROMASTER 420, 3x230V, 0.37kW	6SE6420-2UC13-7AA1	SIEMENS	91.012.054	1	/9.4				
-FM3	Frequency converter MICROMASTER 420, 3x230V, 4kW	6SE6420-2AC24-0CA1	SIEMENS		1	/9.7				
-FU1	Fuse case	WK4/7HSIS...U	WIELAND	91.251.102	1	/10.5				
<p>The manufacturer reserves use an equivalent component.</p>										
 <b>BOMAR, s.r.o.</b> Teřebnı́ 1236/1 CZ 627 00, Brno		Mother: <b>Individual 620.460 DGA</b>		Name page: <b>Parts list</b>		Version: Power supply Edited by Date		<b>3.a</b> Page: 3 Pages: 30		





0	1	2	3	4	5	6	7	8	9
<b>Parts list</b>									
Device identification	Device description	Type number	supplier	part number	Quantity	Location (page,column)			
-FU1	Tube fuse 5x20 slow, 2A/250V	T2A/250V	ESKA	91.230.001	1	/10.5			
-FU2	Fuse case for cylindrical fuse 10x38mm, size 10	OPV10/1	OEZ	91.241.001	1	/10.5			
-FU2	Cylindric fuse 10A, 10x38 slow	PV10 10A aM	OEZ	91.230.041	1	/10.5			
-FU3	Tube fuse 5x20 slow, 2A/250V	T2A/250V	ESKA	91.230.001	1	/10.7			
-FU3	Fuse case	WK4/THS5...U	WIELAND	91.251.102	1	/10.7			
-FU4	Tube fuse 5x20 slow, 2A/250V	T2A/250V	ESKA	91.230.001	1	/10.7			
-FU4	Fuse case	WK4/THS5...U	WIELAND	91.251.102	1	/10.7			
-FU5	Tube fuse 5x20 slow, 1A/250V	T1A/250V	ESKA	91.230.003	1	/10.8			
-FU5	Fuse case	WK4/THS5...U	WIELAND	91.251.102	1	/10.8			
-FU6	Tube fuse 5x20 slow, 2A/250V	T2A/250V	ESKA	91.230.001	1	/8.6			
-FU6	Fuse case	WK4/THS5...U	WIELAND	91.251.102	1	/8.6			
-FU7	Tube fuse 5x20 slow, 2A/250V	T2A/250V	ESKA	91.230.001	1	/8.6			
-FU7	Fuse case	WK4/THS5...U	WIELAND	91.251.102	1	/8.6			
-FU8	Fuse case	WK4/THS5...U	WIELAND	91.251.102	1	/10.1			
-FU8	Tube fuse 5x20 slow, 4A/250V	T4A/250V	ESKA	91.230.015	1	/10.1			
-FU9	Fuse case	WK4/THS5...U	WIELAND	91.251.102	1	/10.1			
-FU9	Tube fuse 5x20 slow, 4A/250V	T4A/250V	ESKA	91.230.015	1	/10.1			
-H1	Bulb 5W	BA15D 24V 5W	WERMA	91.063.014	1	/20.7			
-H1	Beacon base	WE64081000	WERMA	91.063.010	1	/20.7			
-H1	Beacon, orange	WE64130000	WERMA	91.063.013	1	/20.7			
-HS1	Linear incremental encoder with magnetic strip 10-30VDC	LMDX-026-08.0-1-00-L	ELGO	92.270.018	1	/17.0			
-HS2	Linear incremental encoder with magnetic strip 10-30VDC	LMDX-026-08.0-1-00-L	ELGO	92.270.018	1	/17.2			
-HS3	Linear incremental encoder with magnetic strip 10-30VDC	LMDX-026-08.0-1-00-L	ELGO	92.270.018	1	/17.4			
-K1	Relay	40.52.9.024	FINDER	91.051.001	1	/20.3			
-K1	Relay socket	95.95.3	FINDER	91.051.003	1	/20.3			
-K2	Relay	40.52.9.024	FINDER	91.051.001	1	/20.6			
-K2	Relay socket	95.95.3	FINDER	91.051.003	1	/20.6			
-KM1	Contactar	DIL EM-01-G 24V DC	MOELLER	91.040.024	1	/20.3			
<p>The manufacturer reserves use an equivalent component.</p>									
 <p>BOMAR, s.r.o. Těšební 1236/1 CZ 627 00, Brno</p>		<p>Mothers: <b>Individual 620.460 DGA</b></p>		<p>Name page: <b>Parts list</b></p>		<p>Version: Power supply Edited by Date</p>		<p>Page: 3.a Pages: 30</p>	

0	1	2	3	4	5	6	7	8	9
<b>Parts list</b>									
Device identification	Device description	Type number	supplier	part number	Quantity	Location (page,column)			
-KM2.1	Contact 5.5KW, with NC	DILM12-01	MOELLER	91.040.025	1	/20.2			
-KM2.2	Contact 5.5KW, with NC	DILM12-01	MOELLER	91.040.025	1	/21.4			
-KM2.2	Auxiliary contact of contactor 2xNO	F-MO DILA-XHI20	MOELLER	91.041.010	1	/21.4			
-KM3	Contact	DIL EM-01-G 24V DC	MOELLER	91.040.024	1	/20.0			
-KM4.1	Contact 5.5KW, with NC	DILM12-01	MOELLER	91.040.025	1	/20.7			
-KM4.2	Contact 5.5KW, with NC	DILM12-01	MOELLER	91.040.025	1	/20.8			
-KM4.2	Auxiliary contact fort Moeller Contactor, 2xNO	DILA-XHI20	MOELLER	91.141.010	1	/20.8			
-KM4.2	Mechanical blocking for contactors	DILM12-XMV	MOELLER	91.041.012	1	/20.8			
-KM5	Contact	DIL EM-01-G 24V DC	MOELLER	91.040.024	1	/20.2			
-KM501	Contact 7.5KW	DILM17-10	MOELLER	91.040.028	1	/11.7			
-KM501	Auxiliary contact of contactor 1xNO 1xNC	F-MO DILA-XHI11	MOELLER	91.041.013	1	/11.7			
-KM502	Contact 7.5KW	DILM17-10	MOELLER	91.040.028	1	/11.7			
-KM502	Auxiliary contact of contactor 1xNO 1xNC	F-MO DILA-XHI11	MOELLER	91.041.013	1	/11.7			
-LP1	Lamp 12V/20W	LBP-B 30 Z	RNDR Zdeněk Martináček	91.100.103	1	/10.8			
-LQ1.1	Laser barrier - transmitter	BLS 18KW-XX-1LT-S4-L	BALLUFF	91.400.004	1	/17.6			
-LQ1.1	Sensor cable	MOD.15/4 M12 SL LC10		91.142.002	1	/17.6			
-LQ1.2	Laser barrier - receiver	BLS 18KW-PA-1LT-S4-C	BALLUFF	91.400.003	1	/17.7			
-LQ1.2	Sensor cable	MOD.15/4 M12 SL LC10		91.142.002	1	/17.7			
-M1	Pump 3x230/400V, 50Hz, 120W	4COA4-14HP1		91.020.016	1	/7.2			
-M3	Asynchronous motor 3x230/400V, 50Hz, 0.25KW	BN71A4	BONFIGLIOLI		1	/7.8			
-M5	Asynchronous motor with gearbox 3x400V, 50Hz, 1.1kW, 2.8A	MDEMABR 080-42 + GKRO5-2MHA			1	/9.2			
-M7	Asynchronous motor 3x230/400V, 50Hz, 0.37KW	BN71B4	BONFIGLIOLI	91.001.106	1	/9.4			
-M8	Asynchronous motor 3x400V, 50Hz, 4kW, 8.4A	BN112M4	BONFIGLIOLI		1	/9.7			
-M9	Cooling ventilator 230V, 50Hz, 0.12A	RAH1278B1-C	XFAN	91.015.105	1	/8.7			
-OP177B	Simatic Panel OPI77B Blue mode STV display	6AV6642-0DC01-1AX1	SIEMENS	91.995.621	1	/14.3			
-OP177B	SIMATIC DP-BUS CONNECTOR FOR PROFIBUS	6ES7972-0BA41-0XA0	SIEMENS	91.141.090	1	/14.3			
-PA1	Fuse case for cylindrical fuse 10x38mm, size 10	OPV10/3	OEZ	91.241.002	1	/9.2			
-PA1	Cylindric fuse 16A, 10x38 fast, gG characteristic	PV10 16A gG	OEZ	91.230.020	3	/9.2			
The manufacturer reserves use an equivalent component.							3.c		
 <b>BOMAR, s.r.o.</b> Teřební 1236/1 CZ 627 00, Brno		Name page: <b>Parts list</b>		Version: Power supply Edited by Date:		ES NS30-209/1.4 3x230V, 50Hz, PE 26.3.2012		Page: 3b Pages: 30	

0	1	2	3	4	5	6	7	8	9
<b>Parts list</b>									
Device identification	Device description	Type number	supplier	part number	Quantity	Location (page,column)			
-PA2	Fuse case for cylindrical fuse 10x38mm, size 10	OPV10/3	OEZ	91.241.002	1	/9.4			
-PA2	Cylindric fuse 10A, 10x38 fast, gG characteristic	PV10 10A gG	OEZ	91.231.008	3	/9.4			
-PA3	Fuse case for cylindric fuse 10x38mm, size 10	OPV10/3	OEZ	91.241.002	1	/9.7			
-PA3	Cylindric fuse 32A, 10x38 fast, gG characteristic	PV10 32A gG	OEZ	91.230.019	3	/9.7			
=OP-PR1	head of potentiometer 24mm	S8877BLK		91.060.063	1	/16.3			
=OP-PR1	Potentiometer 5k	TP195 4x7/IN20A		91.283.015	1	/16.3			
-PWRL	Power supply 15A, 115/230/400-500VAC / 24VDC	TSP360-124WR	Traco Power		1	/10.2			
-QS1	Main switch 32A	VCF1-32A	TELEMECANIQUE	91.170.012	1	/7.1			
-RCF1	RCF filter	FBOPR1624		91.041.015	1	/7.1			
-RCF2	RCF filter	FBOPR1624		91.041.015	1	/7.4			
-RCF3	RCF filter	FBOPR1624		91.041.015	1	/7.7			
-RCF4	RCF filter	FBOPR1624		91.041.015	1	/8.0			
-RCF5	RCF filter	FBOPR1624		91.041.015	1	/8.5			
-RF11	Micromaster 4 EMC filter FSB 14A Class A	6SE6400-2FA01-4BC0	SIEMENS		1	/9.2			
-RF12	Micromaster 4 EMC filter FSA 6A Class A	6SE6400-2FA00-6AD0	SIEMENS	91.012.037	1	/9.4			
-SA1	Head of 3 positional switch	M22-WRK3	MOELLER	91.060.051	1	/18.0			
-SA1	Attaching adapter + NO contact	M22-AK10	MOELLER	91.061.021	1	/18.0			
-SA1	NO contact for Moeller adapter	M22-K10	MOELLER	91.061.022	1	/18.0			
-SB1	Green translucent switch head	M22-DL-G	MOELLER	91.060.031	1	/17.8			
-SB1	Attaching adapter + NO contact	M22-AK10	MOELLER	91.061.021	1	/17.8			
-SB1	Green light for Moeller adapter	M22-LED-G	MOELLER	91.061.023	1	/17.8			
-SB2	Attaching adapter + NC contact	M22-AK01	MOELLER	91.061.020	1	/17.8			
-SB2	Blackt switch head	M22-D-S	MOELLER	91.060.035	1	/17.8			
-SB10	Attaching adapter + NO contact	M22-AK10	MOELLER	91.061.021	2	/20.4			
-SB10	Blackt switch head	M22-D-S	MOELLER	91.060.035	2	/20.4			
-SB10	NO contact for Moeller adapter	M22-K10	MOELLER	91.061.022	2	/20.4			
-SB11	Attaching adapter + NO contact	M22-AK10	MOELLER	91.061.021	2	/21.6			
-SB11	Blackt switch head	M22-D-S	MOELLER	91.060.035	2	/20.1			
<p>The manufacturer reserves use an equivalent component.</p>									
 <b>BOMAR, s.r.o.</b> Těšební 1236/1 CZ 627 00, Brno		Name page: <b>Parts list</b>		Version: Power supply Edited by Date:		ES NS30-209/1.4 3x230V, 50Hz, PE 26.3.2012		Page: 3.c Pages: 30	

3.b

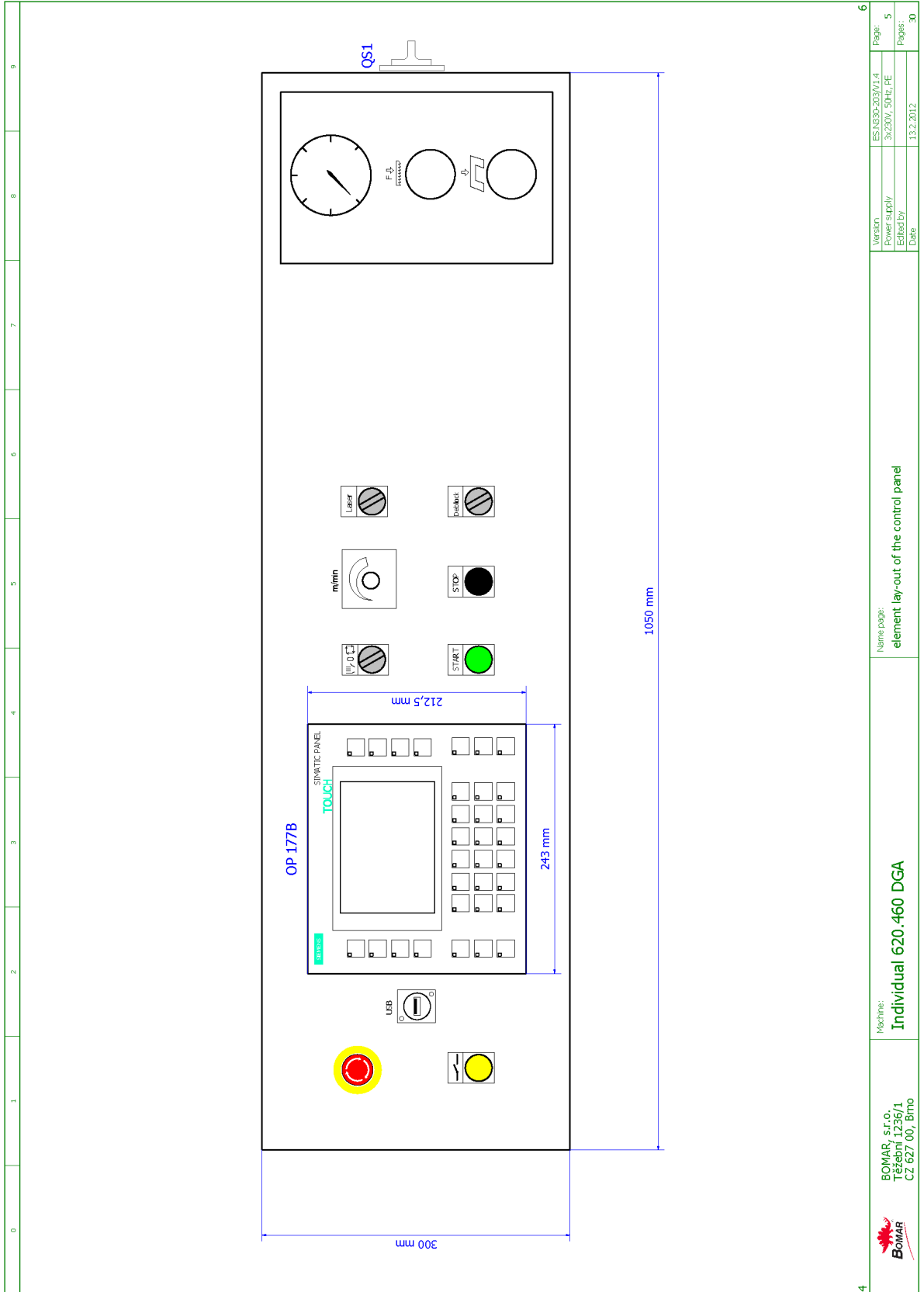
0	1	2	3	4	5	6	7	8	9
<b>Parts list</b>									
Device identification	Device description	Type number	supplier	part number	Quantity	Location (page,column)			
-SB11	NO contact for Moeller adapter	M22-K10	MOELLER	91.061.022	2	/20.1			
-SB12	Attaching adapter + NO contact	M22-AK10	MOELLER	91.061.021	2	/20.5			
-SB12	Blackt switch head	M22-D-S	MOELLER	91.060.035	2	/20.5			
-SB12	NO contact for Moeller adapter	M22-K10	MOELLER	91.061.022	2	/20.5			
-SB500	Attaching adapter + NC contact	M22-AK01	MOELLER	91.061.020	1	/11.3			
-SB500	NC contact for Moeller adapter	M22-K01	MOELLER	91.061.024	2	/11.3			
-SB500	Head of safety switch (Total Stop)	M22-PVT 263467	MOELLER	91.060.030	1	/11.3			
-SB510	Attaching adapter + NO contact	M22-AK10	MOELLER	91.061.021	1	/11.5			
-SB510	Yellow translucent switch head	M22-DL-Y	MOELLER	91.060.053	1	/11.5			
-SB510	White light for Moeller adapter	M22-LED-W	MOELLER	91.061.034	1	/11.8			
-SP1	Hydraulic pressure switch 20-50bar, NO contact, G1/4"	166415031059	ARGO HYTOS	92.201.003	1	/18.2			
-SP2	Hydraulic pressure switch 20-50bar, NO contact, G1/4"	166415031059	ARGO HYTOS	92.201.003	1	/18.4			
-SP3	Hydraulic pressure switch 20-50bar, NO contact, G1/4"	166415031059	ARGO HYTOS	92.201.003	1	/19.4			
-SP4	Hydraulic pressure switch 20-50bar, NO contact, G1/4"	166415031059	ARGO HYTOS	92.201.003	1	/19.5			
-SQ1	Limit switch	D4N-4A32	OMRON	91.173.010	1	/17.2			
-SQ2	The exact limit switch, 1NC, 1NO	BNS 819 - 99 - D - 13	BALLUFF	91.173.016	1	/17.4			
-SQ3	Limit switch	D4N-4A32	OMRON	91.173.010	1	/17.7			
-SQ5	Mechanical limit switch VDE 0660 1xNO/1xNC	PZ-FK3301-M1	PIZZATO	91.173.015	1	/18.1			
-SQ6	Limit switch	D4N-4A31	OMRON	91.173.007	1	/18.2			
-SQ7	Limit switch with roller, 1xNO/1xNC	PZ-FR555-M2	PIZZATO	91.173.018	1	/18.3			
-SQ8	Limit switch with roller, 1xNO/1xNC	PZ-FR555-M2	PIZZATO	91.173.018	1	/18.4			
-SQ9	Sensor cable M8	CF08SB-6		91.142.003	1	/18.5			
-SQ9	Inductive limit switch Sn=1,5mm	JPS 30D 081.5 PNOFC		91.172.009	1	/18.5			
-SQ10	Inductive limit switch Sn=1,5mm	JPS 30D 081.5 PNOFC		91.172.009	1	/18.6			
-SQ10	Sensor cable M8	PLM8-6		91.142.004	1	/18.6			
-SQ11	Limit switch with roller, 1xNO/1xNC	PZ-FR555-M2	PIZZATO	91.173.018	1	/19.1			
-SQ12	Limit switch with roller, 1xNO/1xNC	PZ-FR555-M2	PIZZATO	91.173.018	1	/19.1			
-SQ13	Mechanical limit switch VDE 0660 1xNO/1xNC	PZ-FK3301-M1	PIZZATO	91.173.015	1	/19.2			
<b>The manufacturer reserves use an equivalent component.</b>									
 <b>BOMAR, s.r.o.</b> Teřební 1236/1 CZ 627 00, Brno		Name page: <b>Parts list</b>		Version: Power supply Edited by Date:		ES NS30-209/1.4 3x230V, 50Hz, PE 26.3.2012		Page: 3.e 3.d Pages: 30	

0	1	2	3	4	5	6	7	8	9	
<b>Parts list</b>										
Device identification	Device description	Type number	supplier	part number	Quantity	Location (page,column)				
-SQ14	Limit switch	D4N-4A32	OMRON	91.173.010	1	/19.3				
-SQ15	Sensor cable M8	CF08SB-6		91.142.003	1	/19.4				
-SQ15	Inductive limit switch Sn=1,5mm	JPS 30D 081.5 PNOFC		91.172.009	1	/19.4				
-SQ16	Inductive limit switch Sn=1,5mm	JPS 30D 081.5 PNOFC		91.172.009	1	/19.6				
-SQ16	Sensor cable M8	PLM8-6		91.142.004	1	/19.6				
-SQ501	Safety limit switch, 2xNC	QXS8	KEDU	91.173.012	1	/11.3				
-SQ502	Safety limit switch, 2xNC	QXS8	KEDU	91.173.012	1	/11.3				
-XL	DIN clamp, blue, 4mm	WK 4/U BLAU	WELAND	91.251.104	1	/7.0				
-XL	DIN grounding clamp, yellow+green, 4mm	WK 4SL/U	WELAND	91.251.105	1	/7.0				
-XL	DIN clamp, gray, 4mm	WK4/U	WELAND	91.251.103	3	/7.0				
<p>The manufacturer reserves use an equivalent component.</p>										
 <p>BOMAR, s.r.o. Teřební 1236/1 CZ 627 00, Brno</p>		<p>Machine: <b>Individual 620.460 DGA</b></p>		<p>Name page: <b>Parts list</b></p>		<p>Version: Power supply Edited by Date:</p>		<p>ES NS30-209/V1.4 3x230V, 50-hz, PE 26.3.2012</p>		<p>Page: 3.e Pages: 30</p>

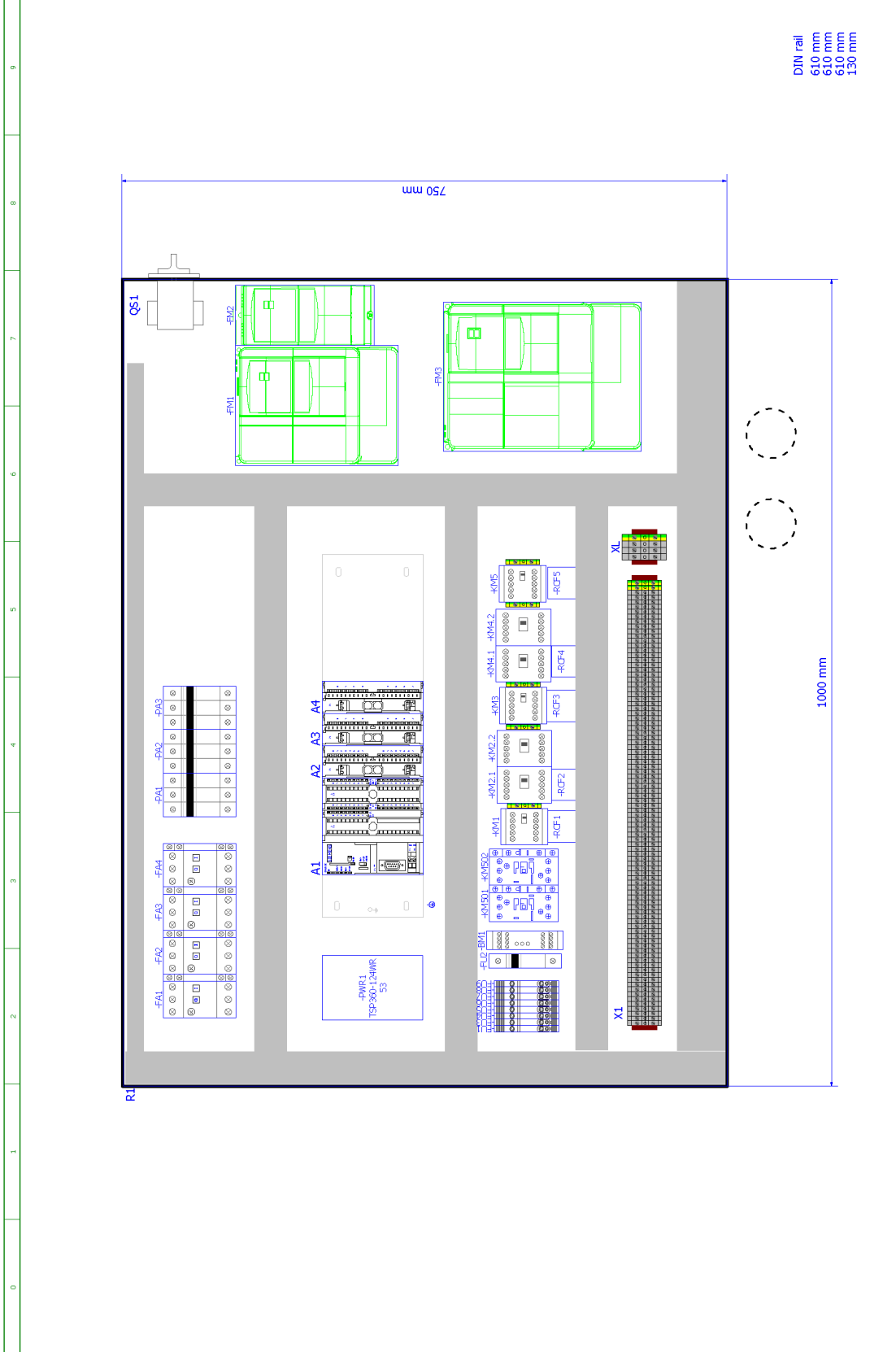
3.d

4

		0	1	2	3	4	5	6	7	8	9
F10_001											
Cable overview											
Cable name	Source (from)	Target (to)	cable type	all conductors	Conductors used	Cross-section [mm²]	Length [m]	function text	Graphical page of cable diagram		
-WA1	-A1-3	-FM3	JZ-HF-CY 2x0,5	2	2	0,5	1,2				
-WA01	-A1-20	-FM1	JZ-HF-CY 2x0,5	2	4	0,5	0,8				
-WA02	-A1-16	-FM2	JZ-HF-CY 2x0,5	2	2	0,5	0,9				
-WM1	-M1	-M1	H 05 VV-F 4Bx0,75 C černá	4	4	0,75	6,5				
-WR2	-M2	-M2	CMSM-J 7Bx1,0 C	7	7	1					
-WR3	-M3	-M3	H 05 VV-F 4Bx0,75 C černá	4	4	0,75	6,5				
-WM4.1	-X10	-M4	CMSM-J 7Bx1,0 C	7	14	1					
-WM4.2	-PE	-M4.2									
-WM5	-M7	-M7	JZ-603 7x1,0	7	0	1					
-WM7	-FM3	-M8	CMFM 4Bx0,75	4	0	0,75					
-WM8	-FM3	-M8	CMFM 4Bx1,5	4	4	1,5					



4		BOMAR, s.r.o. Těšební 1236/1 CZ 627 00, Břmo	Machine: <b>Individual 620.460 DGA</b>	Name page: <b>element lay-out of the control panel</b>	Version: Power supply Edited by Date	ES NG9-203V1.4 3x230V, 50Hz, PE	Page: 5
		13.2.2012	30				

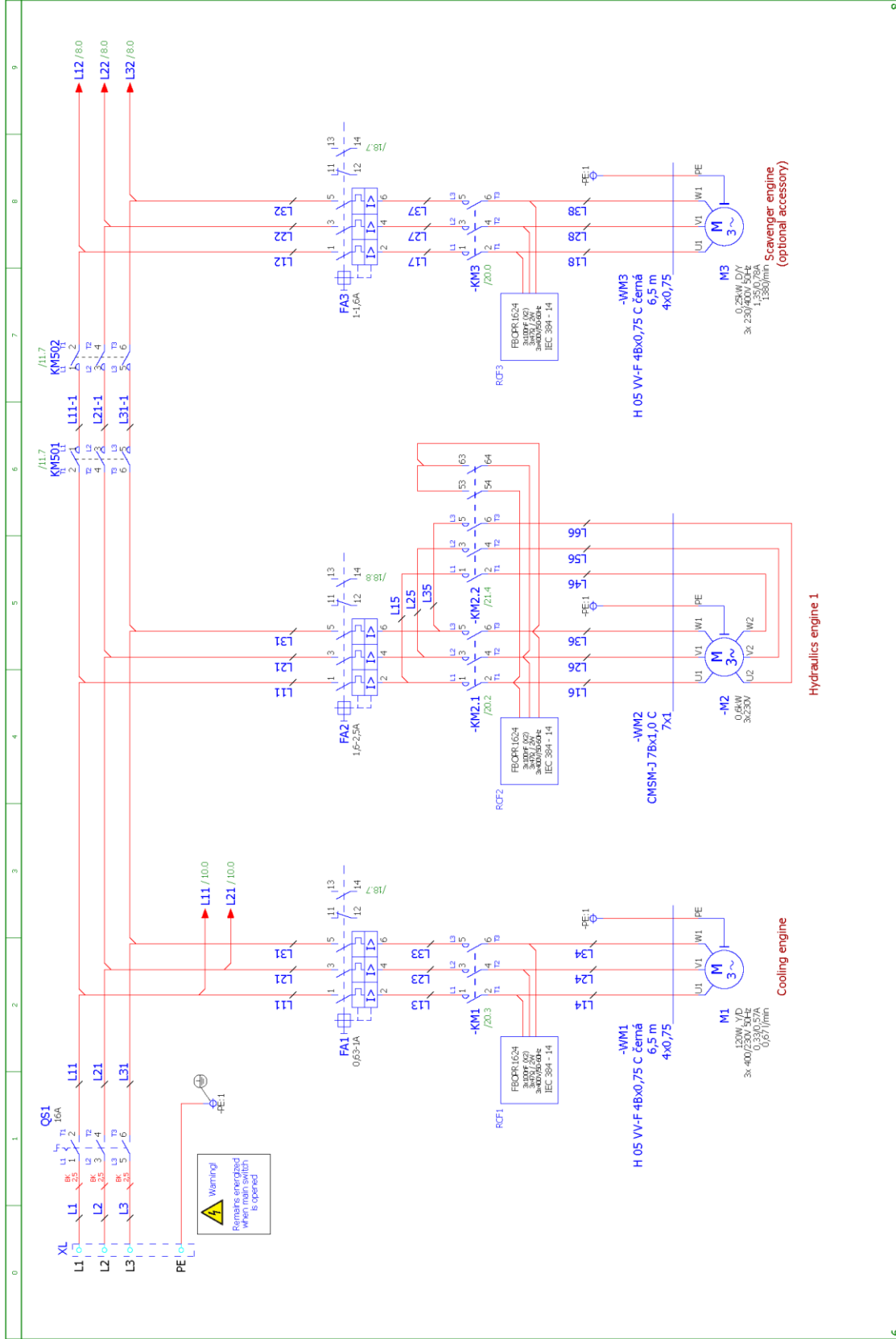


DIN rail  
610 mm  
610 mm  
610 mm  
130 mm

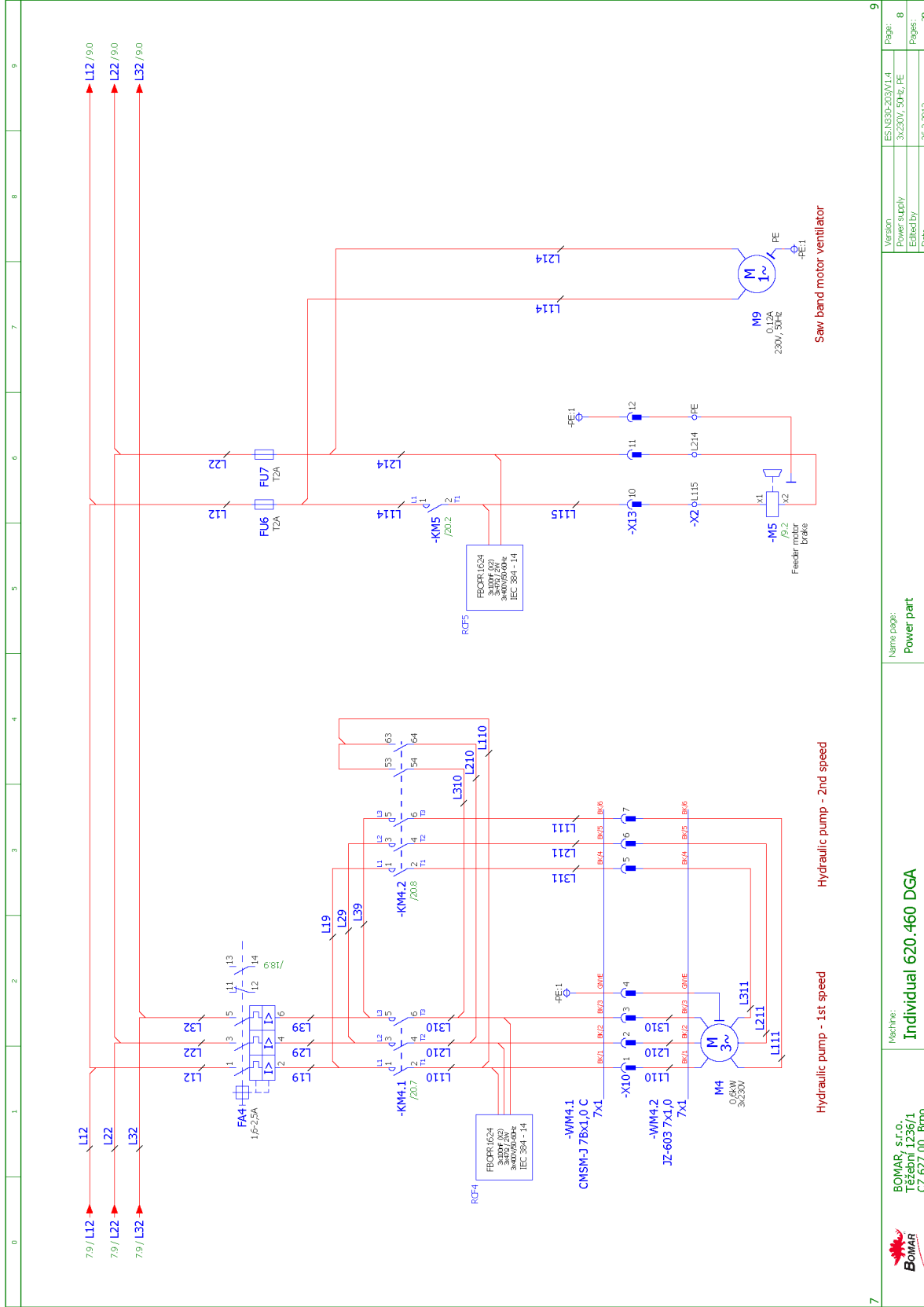
5	Mechine: <b>Individual 620.460 DGA</b>	Name page: <b>element lay-out in the distributor</b>	Version: Power supply Edited by Date	ES-NG30-203V1.4 3x230V, 50Hz, PE 26.3.2012	Page: 6 Pages: 30	7
---	---	---	---	--	----------------------------	---

**Schemata  
Schemata  
Schematics**



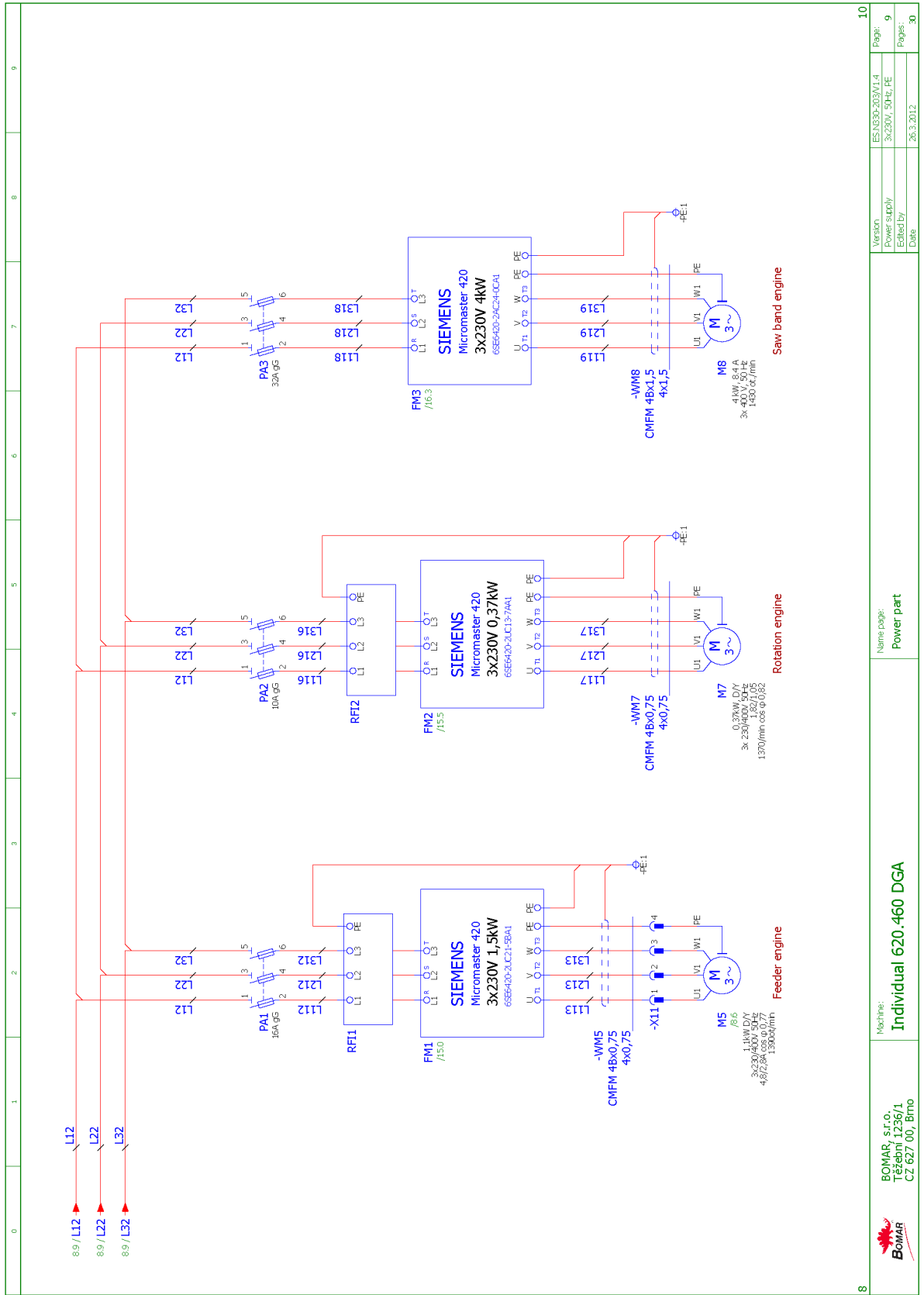


6	Machine: <b>Individual 620.460 DGA</b>	Name part: <b>Power part</b>	Version	ES NS30-203/M1.4	Page:	7
			Power supply	3x230V, 50Hz, PE	Edited by	
8			Date:	26.3.2012	Pages:	30

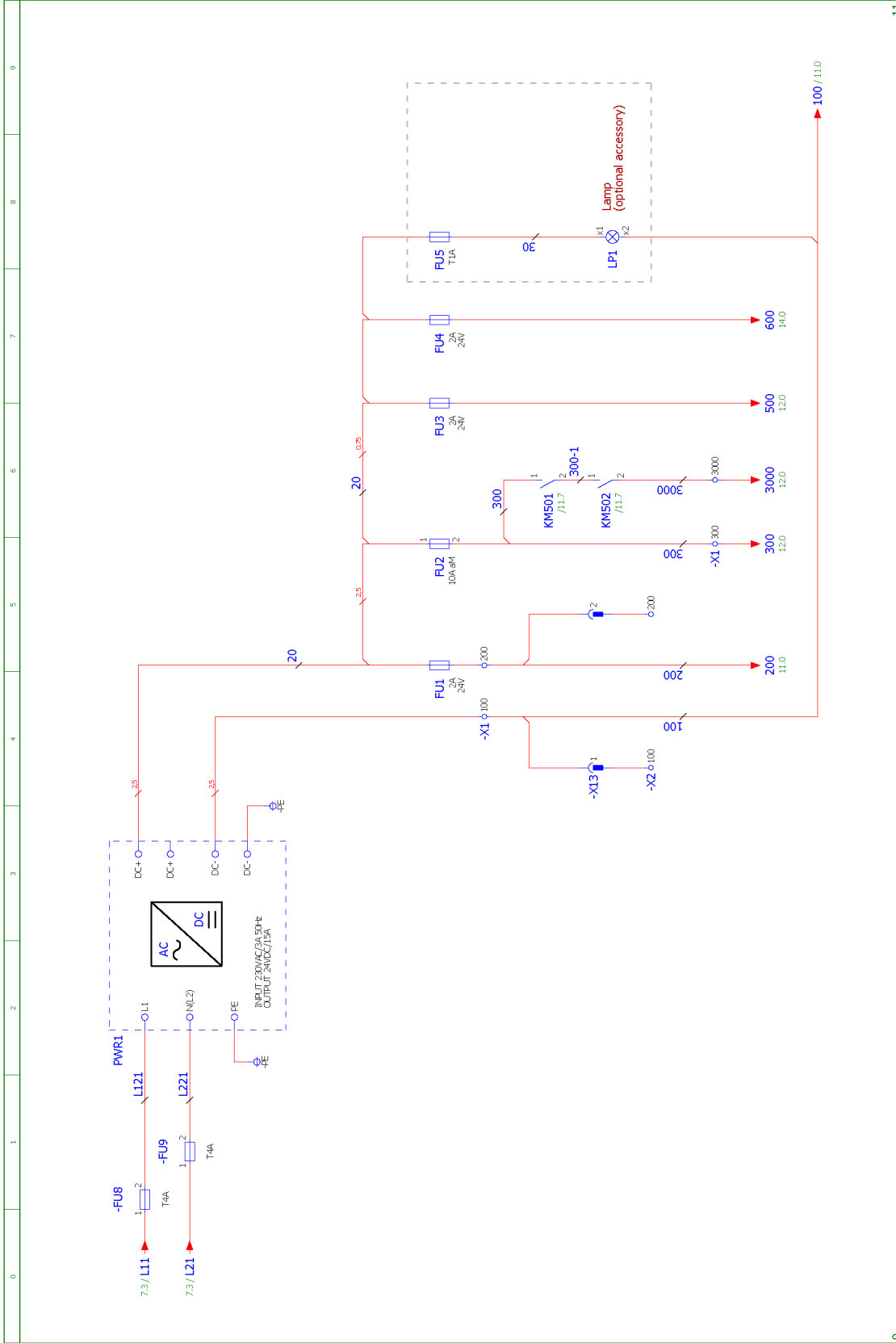


7	Name page: <b>Power part</b>		Version: ES NS30-209V1.4	Page: 8
8	Machine: <b>Individual 620.460 DGA</b>		Power supply: 3x230V, 50Hz, PE	Edited by: Date:
9	BOMAR, s.r.o., Teřební 1236/1 CZ 627 00, Brno		Pages: 30	Date: 26.3.2012

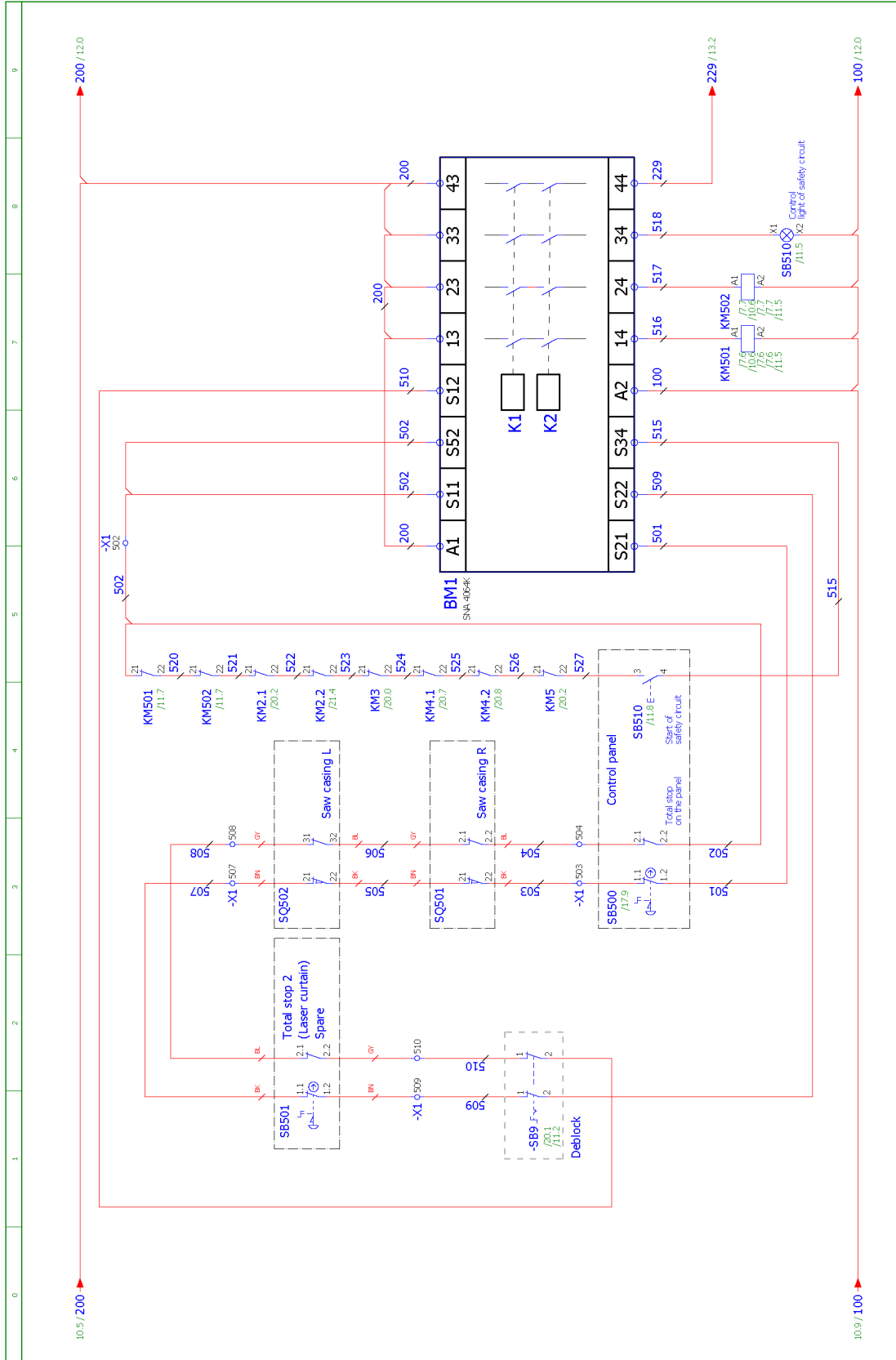
**Schemata  
Schemata  
Schematics**



8	BOMAR, s.r.o. Těšební 1236/1 CZ 627 00, Brno	Machines: <b>Individual 620.460 DGA</b>	Name page: <b>Power pat</b>	Version	ESNG90-203VL1-4	Page:	10
				Power supply	3x230V, 50Hz, PE	Page:	9
				Edited by		Pages:	30
				Date	26.3.2012		



9		BOMAR, s.r.o. Teřební 1236/1 CZ 627 00, Brno	Měříte: <b>Individual 620.460 DGA</b>	Name page: <b>Power supply block</b>	Version: ES NS30-209V1.4 Power supply: 3x230V, 50Hz, PE Edited by: Date:	Page: 10 Pages: 30
		11				

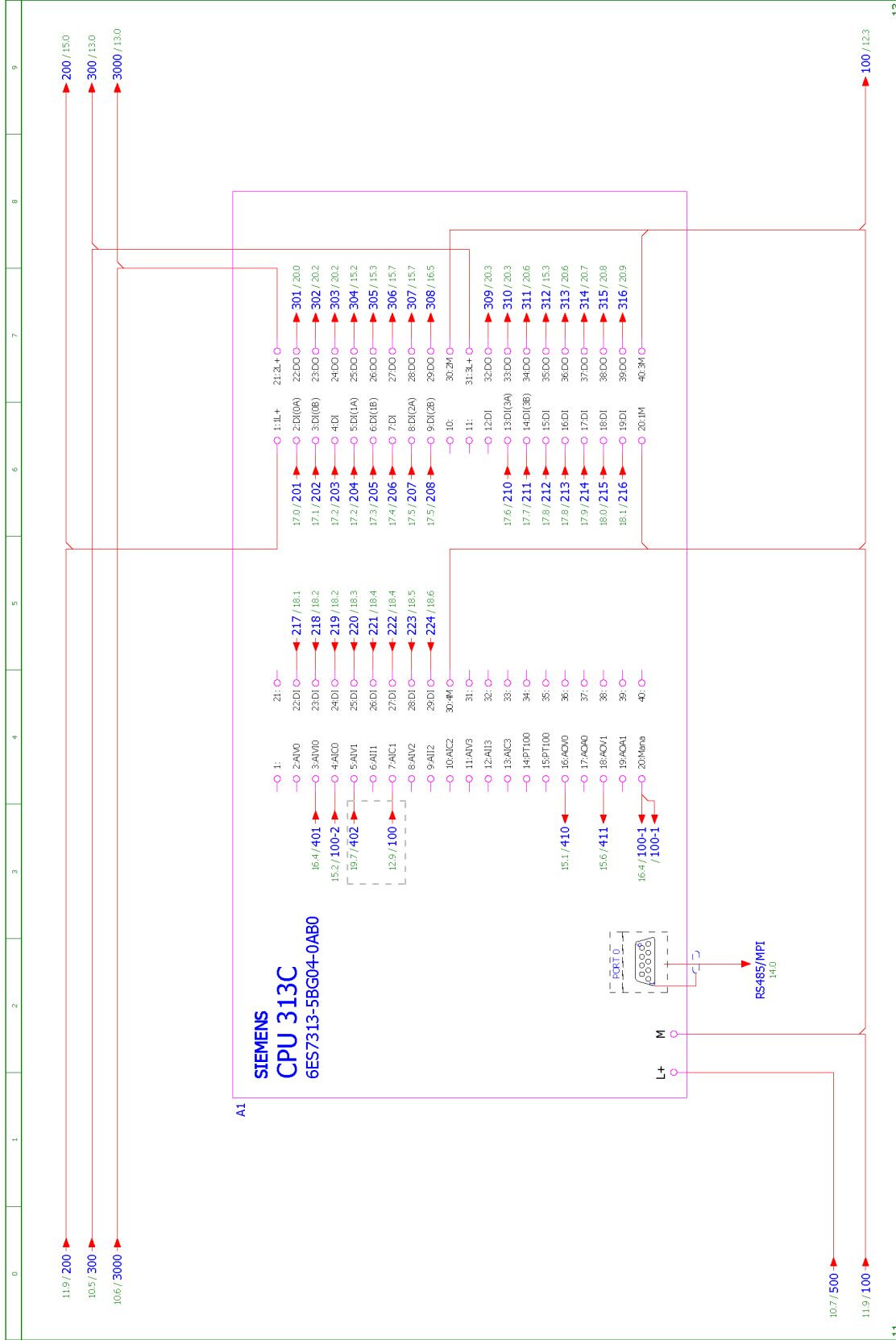


10	11	12
Name page: Safety circuit		
Version: Power supply		
Edited by:		
Date: 26.3.2012		
Pages: 11		
Pages: 30		

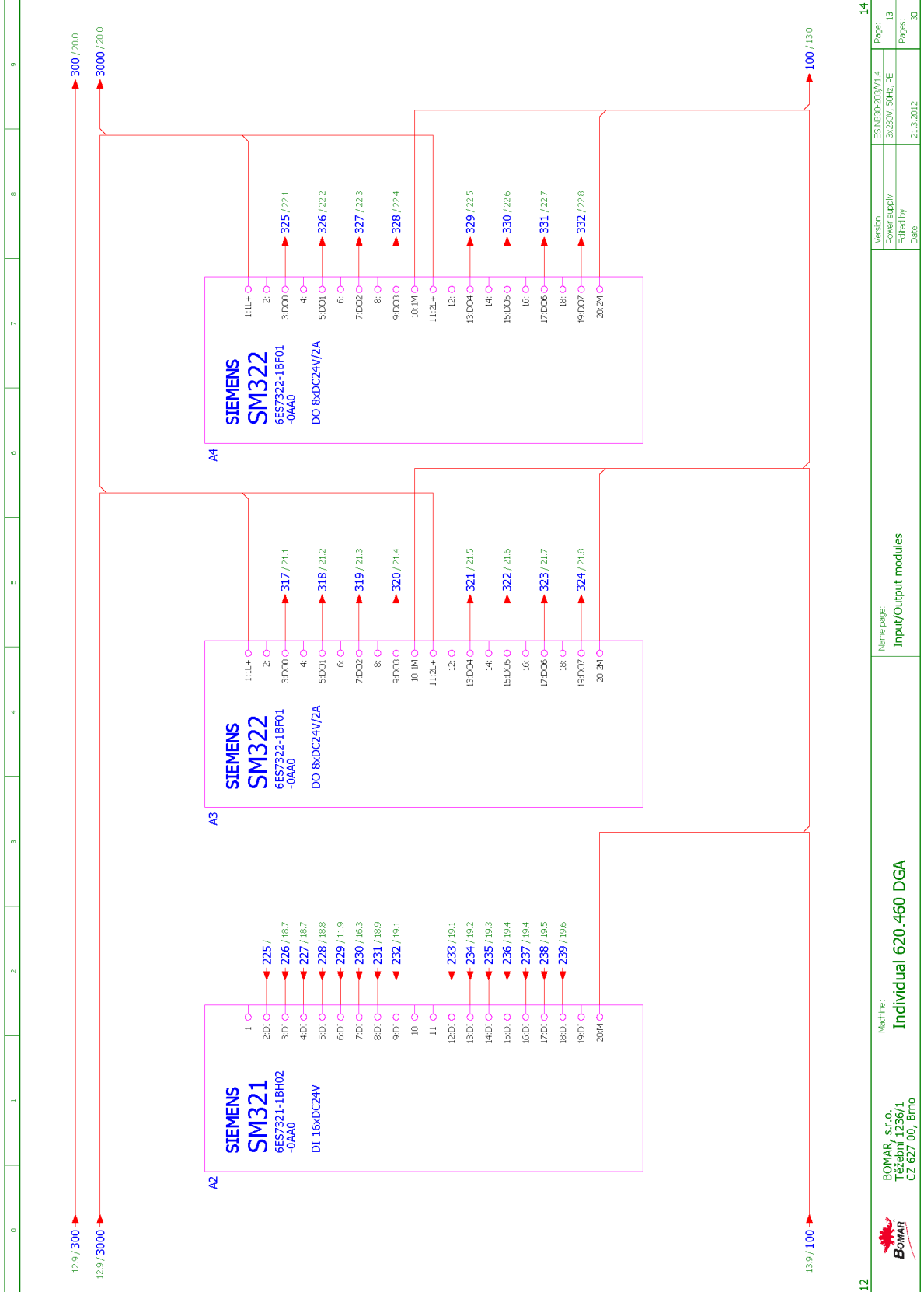
Machine: Individual 620.460 DGA

BOMAR, s.r.o.  
Těšební 1236/1  
CZ 627 00, Brno

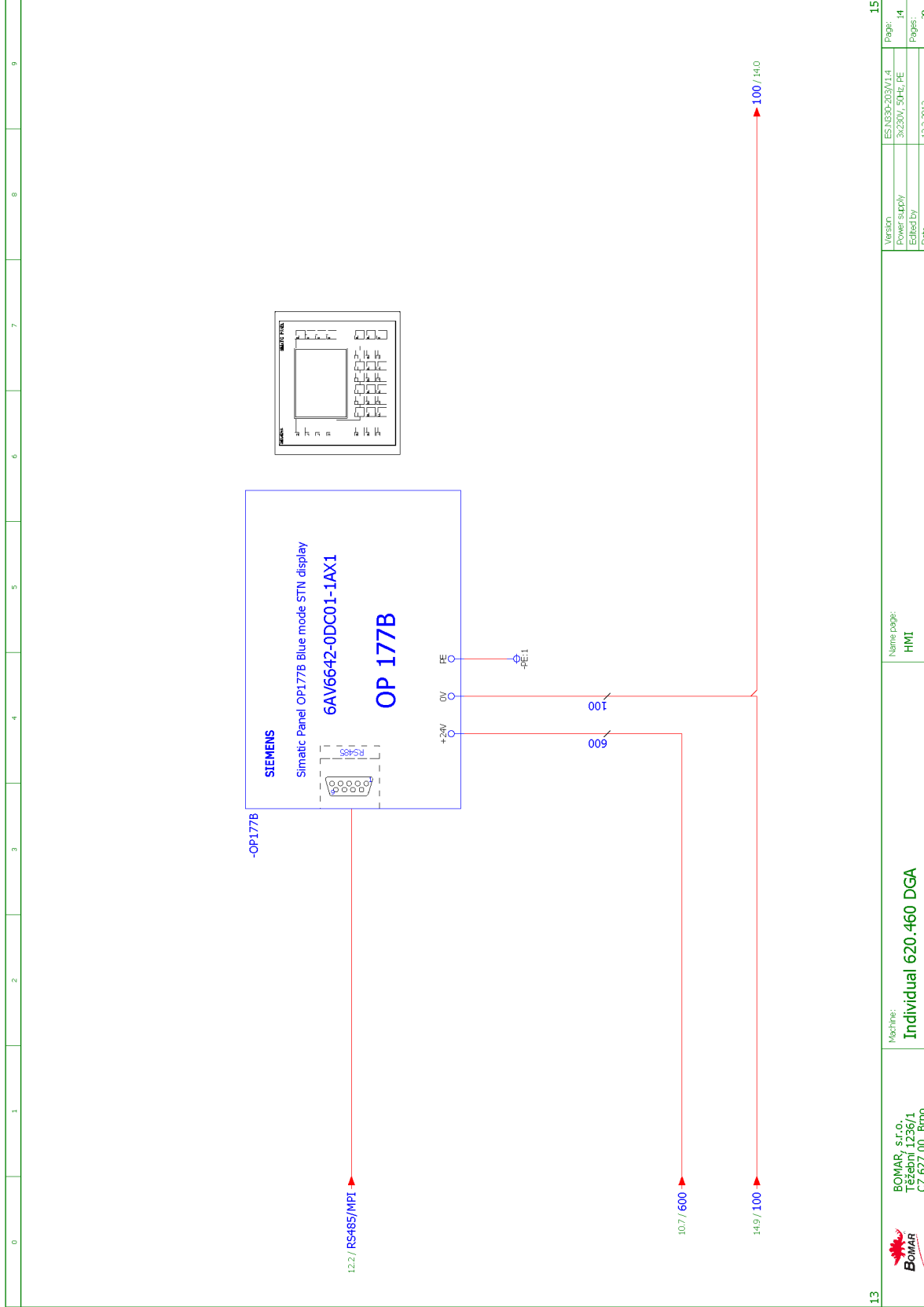




11	Name page: CPU		13
BOMAR, s.r.o., Teřební 1236/1 CZ 627 00, Brno		Version: Power supply Edited by Date:	ES NS30-209V1.4 3x230V, 50-hz, PE 26.3.2012
Měříte: Individual 620.460 DGA		Page:	12
BOMAR		Pages:	30

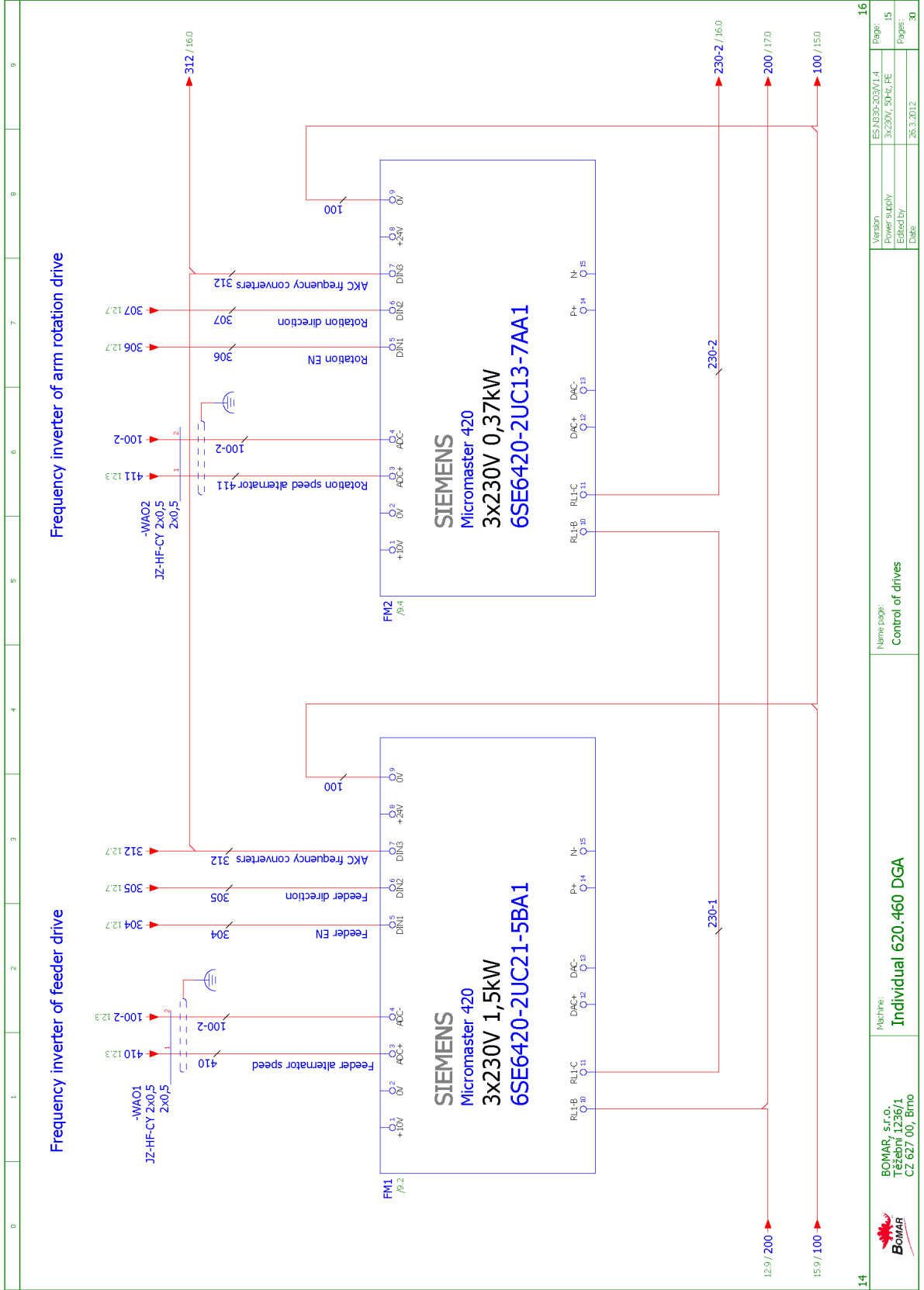


12	Machine:	Individual 620.460 DGA	Name page:	Input/Output modules	Version:	ESNG90-203V1.4	Page:	14
					Power supply:	3x230V, 50Hz, PE	13	
					Edited by:		Pages:	30
					Date:	21.3.2012		

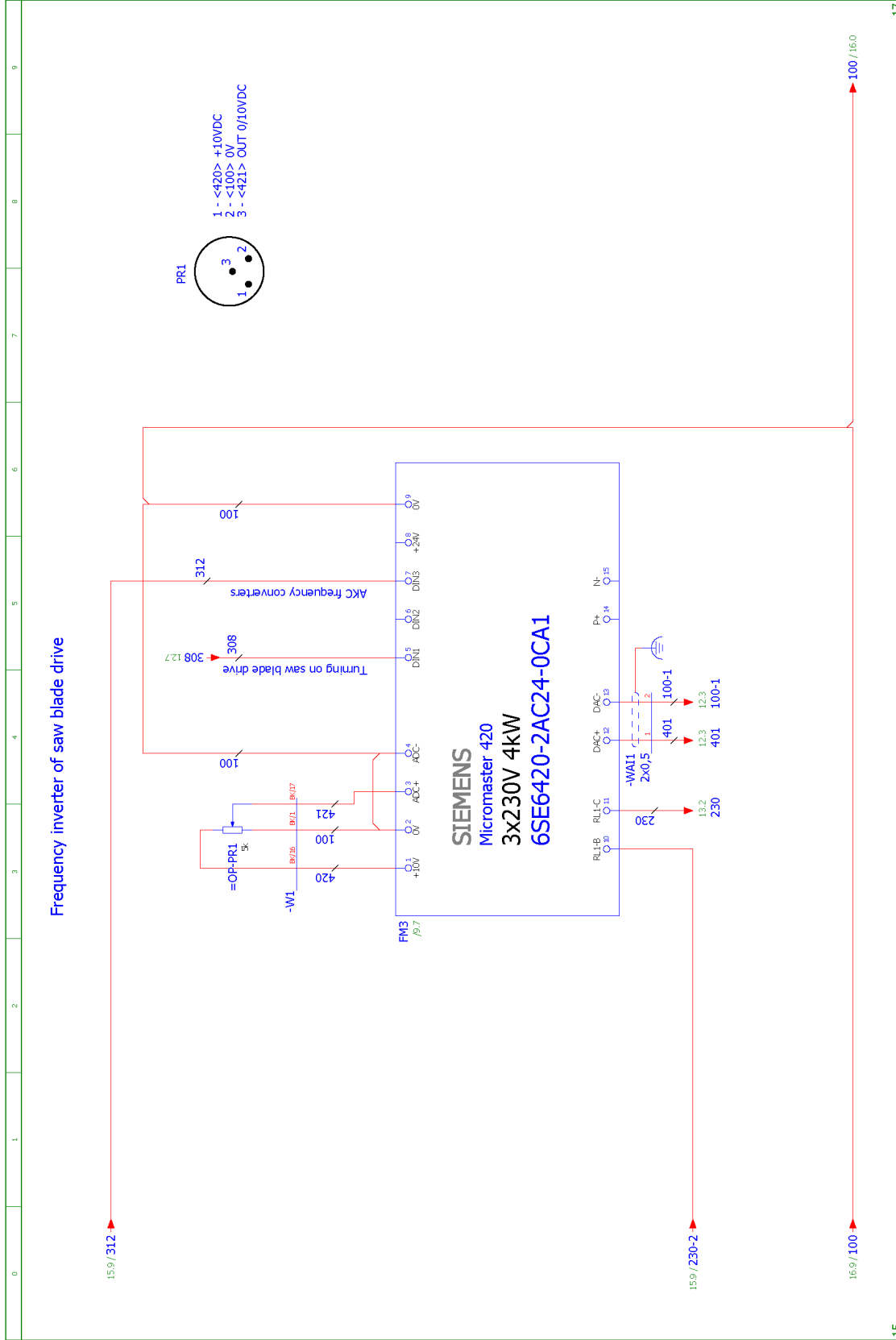


BOMAR, s.r.o. Teřební 1236/1 CZ 627 00, Břno	Machine: Individual 620.460 DGA	Name page: HMI	Version: Power supply Edited by Date	ES/NG/0-203/1.4 3x/230V, 50Hz, PE 13.2.2012	Page: 14 Pages: 30
--	------------------------------------	-------------------	---	---	-----------------------------

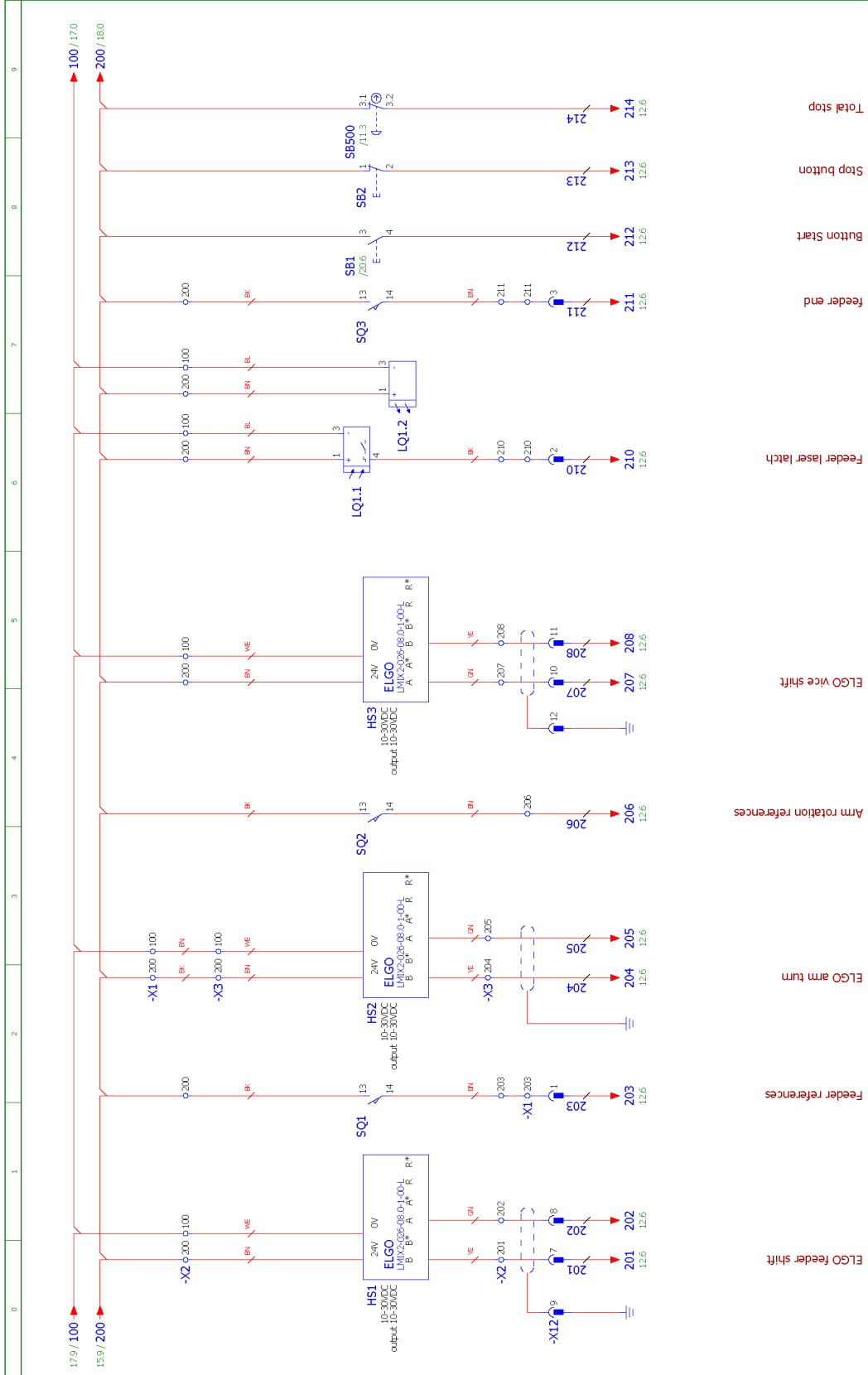




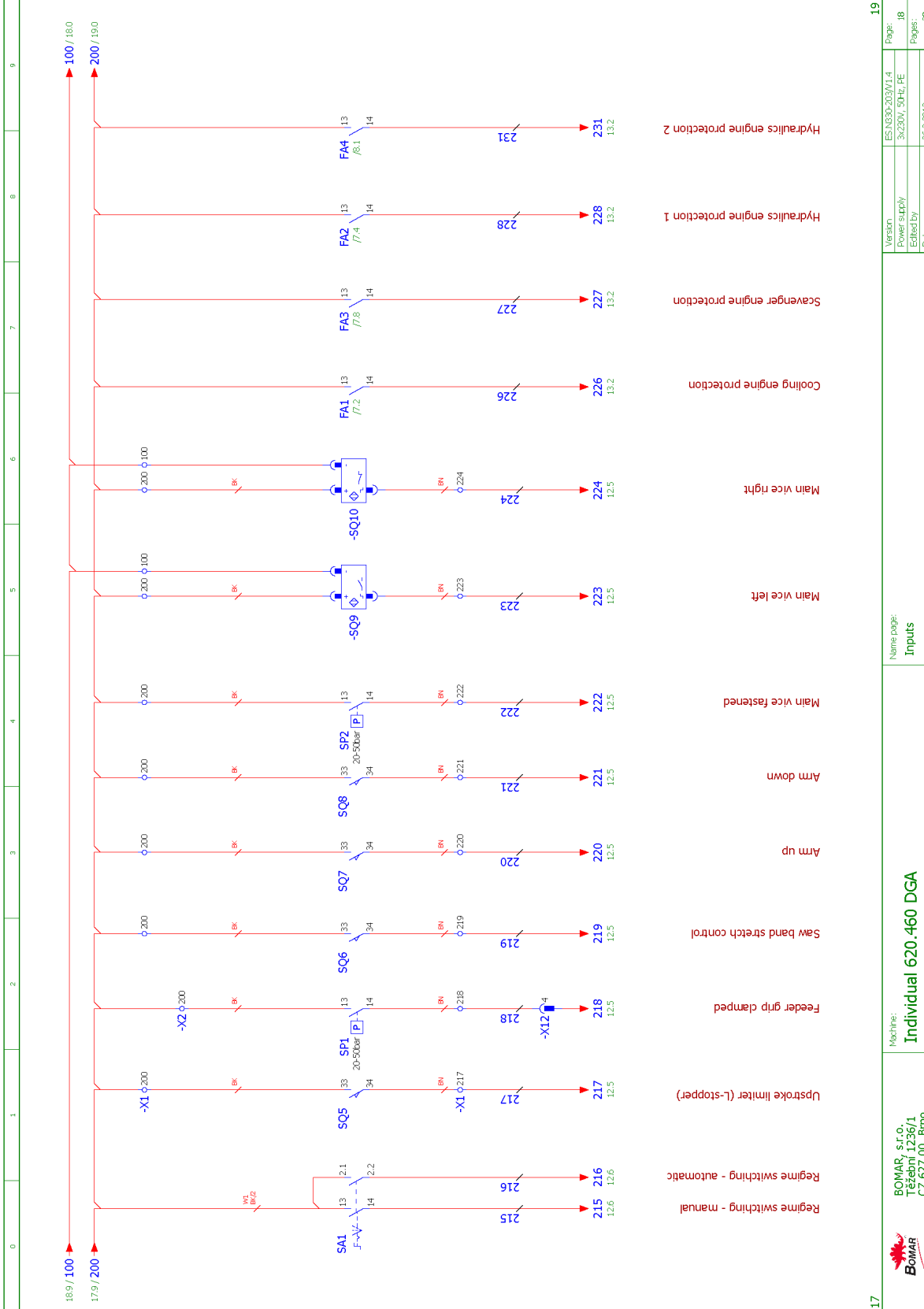
14	16
Name page: Control of drives	
Machine: Individual 620.460 DGA	
BOMAR, s.r.o. Těžební 1236/1 CZ 627 00, Brno	
Version: ES NS30-209V1.4 Power supply: 3x230V, 50-hz, PE Edited by: Date: 26.3.2012	
Page: 15	Pages: 30



15	BOMAR, s.r.o. Teřební 1236/1 CZ 627 00, Brno	Měříče: <b>Individual 620.460 DGA</b>	Name page: <b>Control of drives</b>	Version: ES NS30-209V1.4 Power supply: 3x230V, 50-hz, PE Edited by: Date: 26.3.2012	Page: 16 Pages: 30
----	--	--	--	---	-----------------------------



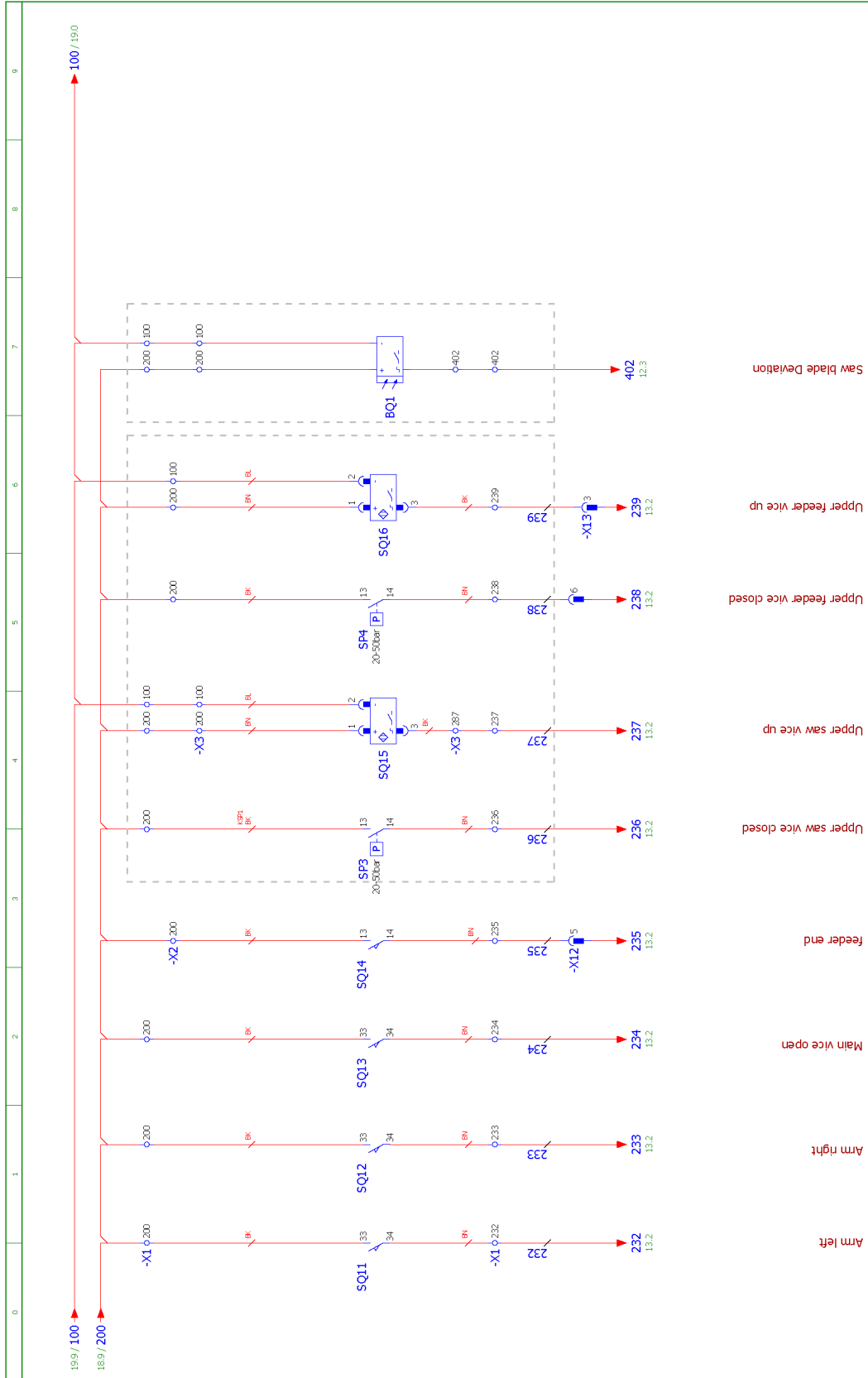
16	18
Name page: <b>Inputs</b>	
Machine: <b>Individual 620.460 DGA</b>	
 BOMAR, s.r.o. Tešební 1236/1 CZ 627 00, Brno	
Version: Power supply	ES NS30-203/V1.4
Edited by:	3x230V, 50-hz, PE
Date:	26.3.2012
Page: 17	18
Pages: 30	30



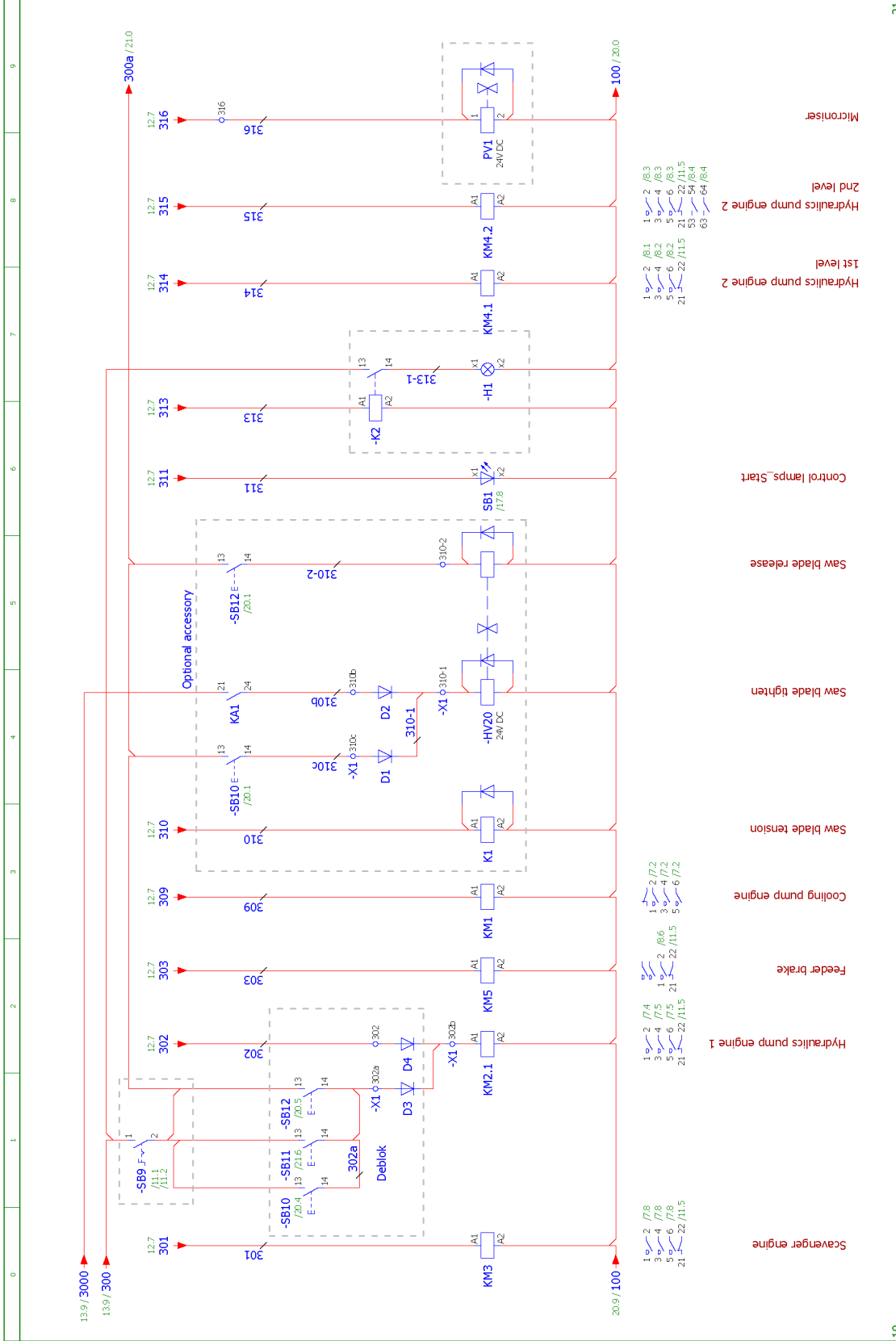
17

19

BOMAR, s.r.o. Teřební 1236/1 CZ 627 00, Břno		Machine: <b>Individual 620.460 DGA</b>		Name page: <b>Inputs</b>	
		Version: Power supply Edited by Date		Page: 18 Pages: 30	

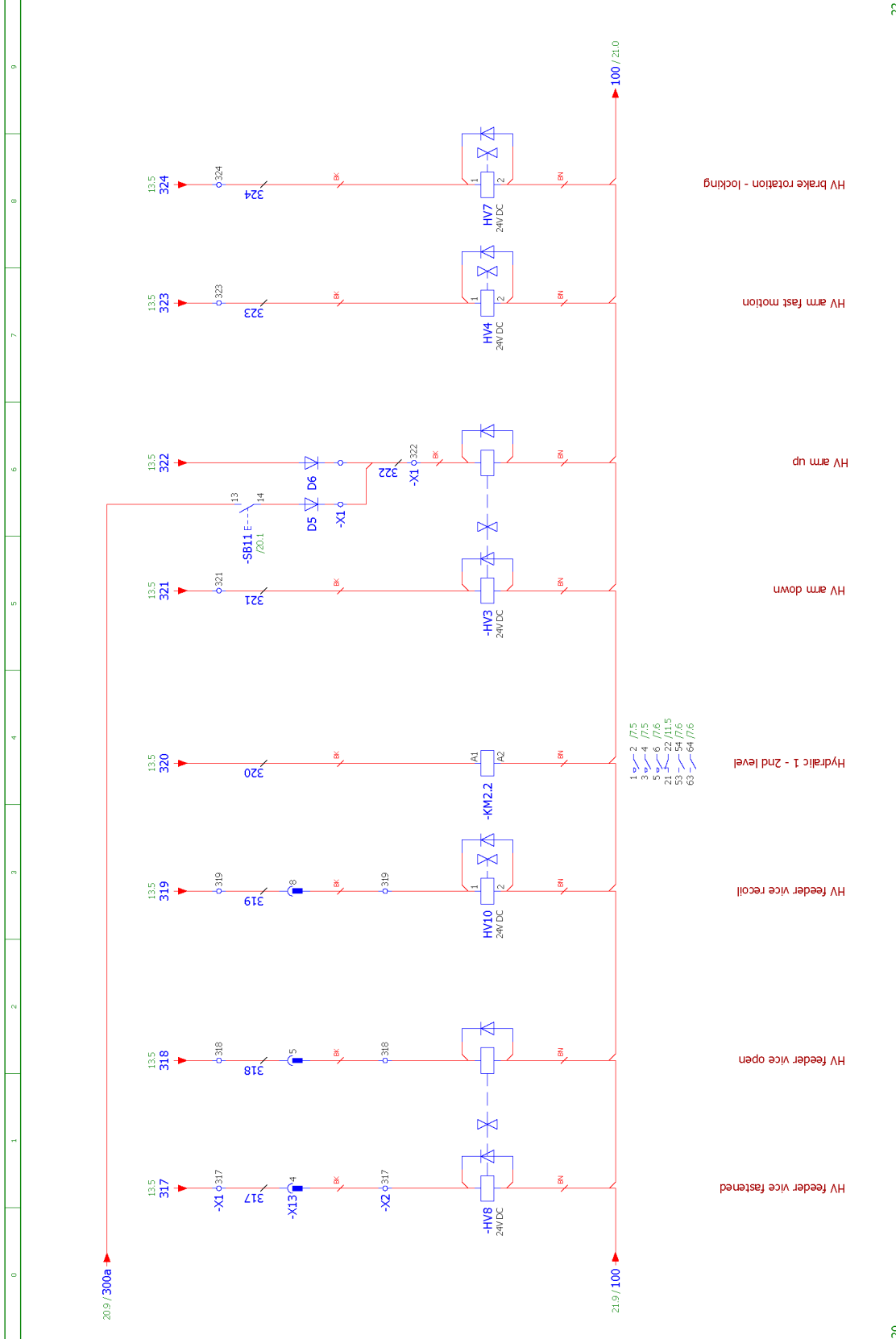


18	Name page: <b>Inputs</b>		Version: Power supply Edited by Date	ESNG90-203/V1.4 3x420V, 50Hz, PE   26.3.2012	Page: <b>19</b>
	Machine: <b>Individual 620.460 DGA</b>				Page: <b>30</b>



19	Name page: <b>Outputs</b>		21
BOMAR, s.r.o. Teřebnı́ 1236/1 CZ 627 00, Brno		Version: ES NS30-203V1.4 Power supply: 3x230V, 50-hz, PE Edited by: Date:	Page: 20 Pages: 30

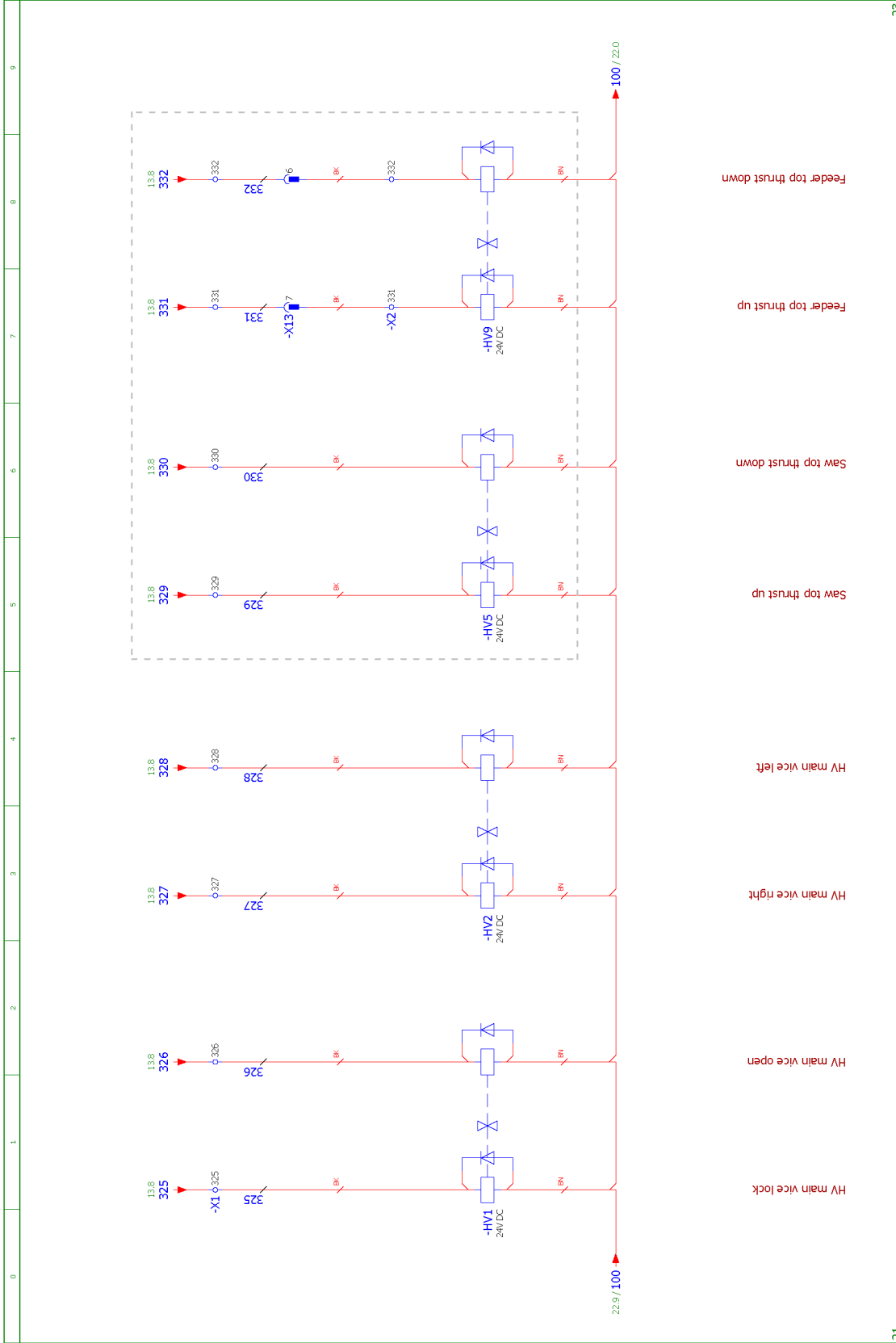
# Schemata Schemata Schematics



20	Name page: <b>Outputs</b>		Version: Power supply Edited by Date	E5NG90-003V1-4 3x230V, 50Hz, PE   21.3.2012
22	Name page: <b>Outputs</b>		Version: Power supply Edited by Date	E5NG90-003V1-4 3x230V, 50Hz, PE   21.3.2012

BOMAR, s.r.o.  
 Teřební 1236/1  
 CZ 627 00, Brno

Mothies:  
**Individual 620.460 DGA**



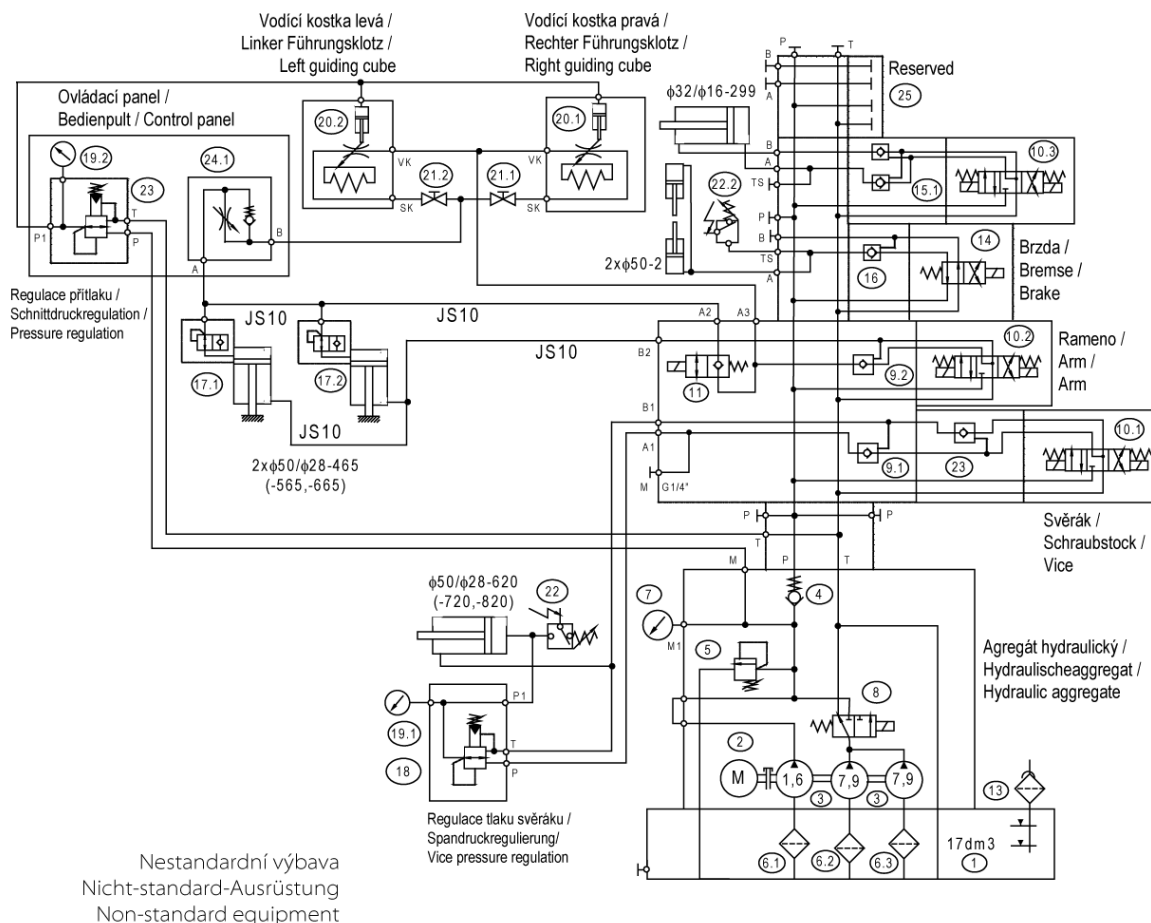
21	 BOMAR, s.r.o. Teřební 1236/1 CZ 627 00, Brno	Modřice: <b>Individual 620.460 DGA</b>	Name page: <b>Outputs</b>	23
			Version: ES NS30-209/V1.4 Power supply: 3x230V, 50-hz, PE Edited by: Date: 13.2.2012	Page: 22 Pages: 30

**Schemata  
Schemata  
Schematics**

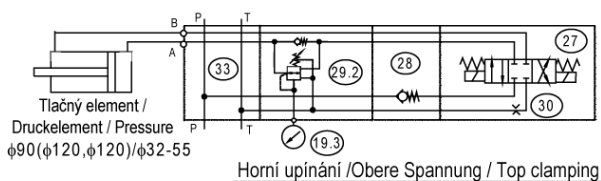




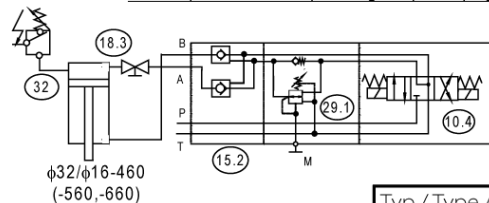
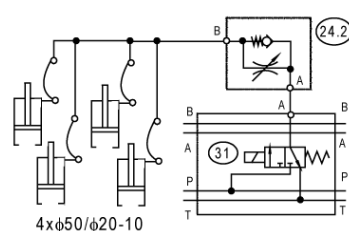
### 6.3. Hydraulické schéma Hydraulisches Schéma Hydraulic diagram - 1



Napínání pásu / Sägebandspannung / Saw band tensing



Zdvih stroje / Reise-Tools / Hydraulic saw lift



Základní technické parametry  
Technische Spezifikation  
Technical specification

Typ / Type / Type	Individual 460, 540, 640 DGA (TIN7)
Hydraulický agregát / Hydroaggregat Hydro aggregat	SSM-3/79+79+16-1/3-17/02400 92.001.063 (27672000)
Neuvedené světllosti / Unerwähnt Lichtbreite Unlisted inside diameters	JS6
Výstupní šroubení / Ausgangsschraubung Output screwing	G1/4"
$P_{max}$	8 Mpa
Q	21,2+2,2 dm <sup>3</sup> /min
n	1425 ot./min
P	3 kW

205.Y416-100

TIN7

INDIV. 620.460 DGA

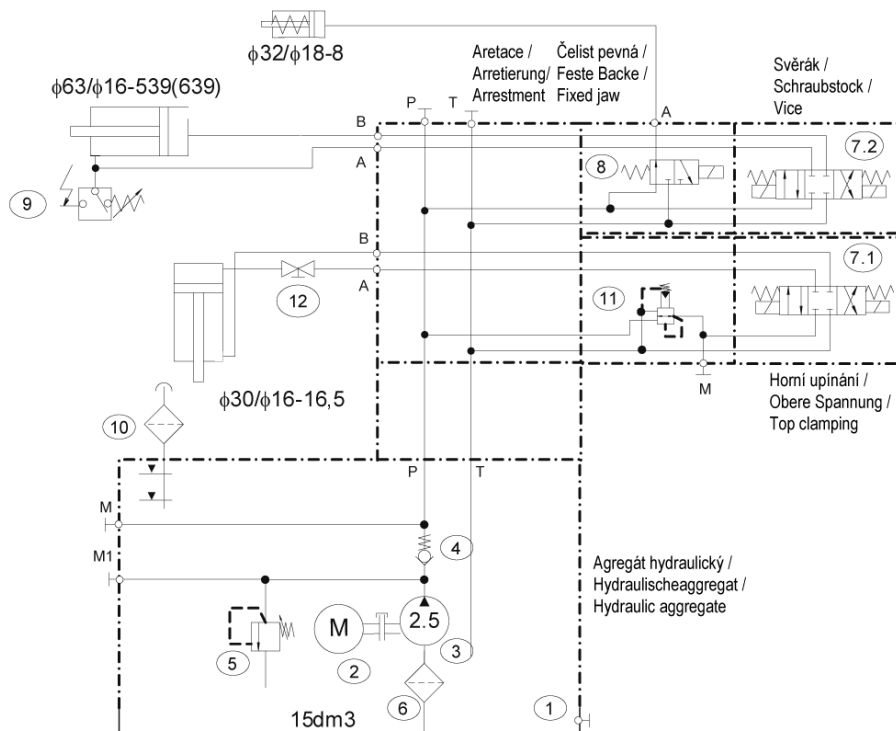
INDIV. 720.540 DGA

INDIV. 820.640 DGA

15.11.2010

Poz.	Název položky/Bezeichnung/Item		Ks/menge/p cs.
1	Nádrž / Behälter / Tank	Ø220-610mm, 17 dm <sup>3</sup>	1
2	Elektromotor / Elektromotor / Electromotor	MA-AL100L, 3 kW, 400/230 V/50 Hz, 6,68A	1
3	Hydrogenerátor / Hydraulikgenerator / Hydrogenerator	P23-7,9/7,9/1,6L. 62334 1,6/7,9+7,9 cm <sup>3</sup> /rpm	1
4	Jednosměrný ventil / Einwegventil / One-way valve	VJ01-06/SG-1	1
5	Přepouštěcí ventil / Bypassventil / By pass valve	VPN1-06/S-10S/M 27999700, 6 MPa	1
6	Sací filtr / Filter / Suction filter	2SF56/48-0,06363 µm	3
7	Manometr / Manometer / Manometer	Ø68 S, 0-10 MPa	1
8	Rozvaděč / Verteilungsventil / Distributor	SD2E-A3/C2D21 408-0328.003	1
9	Hydraulický zámek / Hydraulisches Schloß / Hydraulic lock	RJV1-05-0	2
10	Rozvaděč / Verteilungsventil / Distributor	RPE 3-043Y 11/02400E 1K 1 92.101.005	4(3)
11	Rozvaděč / Verteilungsventil / Distributor	ROE 3-042S2/02400E 1K 1	1
13	Nalévací zátka / Einfüllspund / Fill stopper	L1.0406	1
14	Rozvaděč / Verteilungsventil / Distributor	RPE3-042R11/02400E1K1 92.101.001	1
15	Hydraulický zámek / Hydraulisches Schloß / Hydraulic lock	VJR1-04/MC 92.103.003	2(1)
16	Hydraulický zámek / Hydraulisches Schloß / Hydraulic lock	VJR1-04/MA 92.103.002	1
17	Ventil / Ventil / Valve	VPNH 1/4", s=1mm 92..151.001	2
18	Redukční ventil / Reduktionsventil / Control valve	VRN2-06/S-6R 92.154.001	1
19	Manometr / Manometer / Manometer	Ø68 S, 0-6 MPa	3(2)
20	Kostka regulace / Regulationklotz / Regulation cube	201.6816-100	2
21	Kulový ventil / Kugelventil / Globe valve	99.260.004	3(2)
22	Tlakový spínač / Druckschalter / Pressure switch	0166415031059 20-50 bar	1
23	Redukční ventil / Reduktionsventil / Control valve	VRN2-06/S-6R 92.154.001	1
24	Škrtící ventil / Drosselventil / Throttle-valve	VS01-04/R2.5-0 92.152.001	2(1)
25	Deska / Desk / Desk	DK1-04/32-2 92.105.008	1(1)
26	Hydraulický zámek / Hydraulisches Schloß / Hydraulic lock	VRJ1-04/MB 92.103.003	1(0)
27	Rozvaděč / Verteilungsventil / Distributor	RPE3-043Z11/02400E1K1 92.101.010	1(0)
28	Jednosměrný ventil / Einwegventil / One-way valve	VJ01-04/MP-30 92.104.001	1(0)
29	Redukční ventil / Reduktionsventil / Control valve	VRP2-04-AS/6,3 92.154.002	2(0)
30	Clona / Schürze / Shield	Ø0,8 92.153.022	1(0)
31	Rozvaděč / Verteilungsventil / Distributor	SD2E-A3/S2D26 408-0328.003	1(0)
32	Tlakový spínač / Druckschalter / Pressure switch	0166411031043 10-20 bar	1(0)
33	Kostka / Klotz / Cube	PD04A1 G1/4-1 92.001.093 / 738-2831	1(0)

6.4. Hydraulické schéma  
Hydraulisches Schéma  
Hydraulic diagram - 2



Schemata  
Schemas  
Schematics

Základní technické parametry  
Technische Spezifikation  
Technical specification

205.W316-000  
PODAVAČ (TIN7)  
360 DGANC  
460 DGANC  
15.11.2010

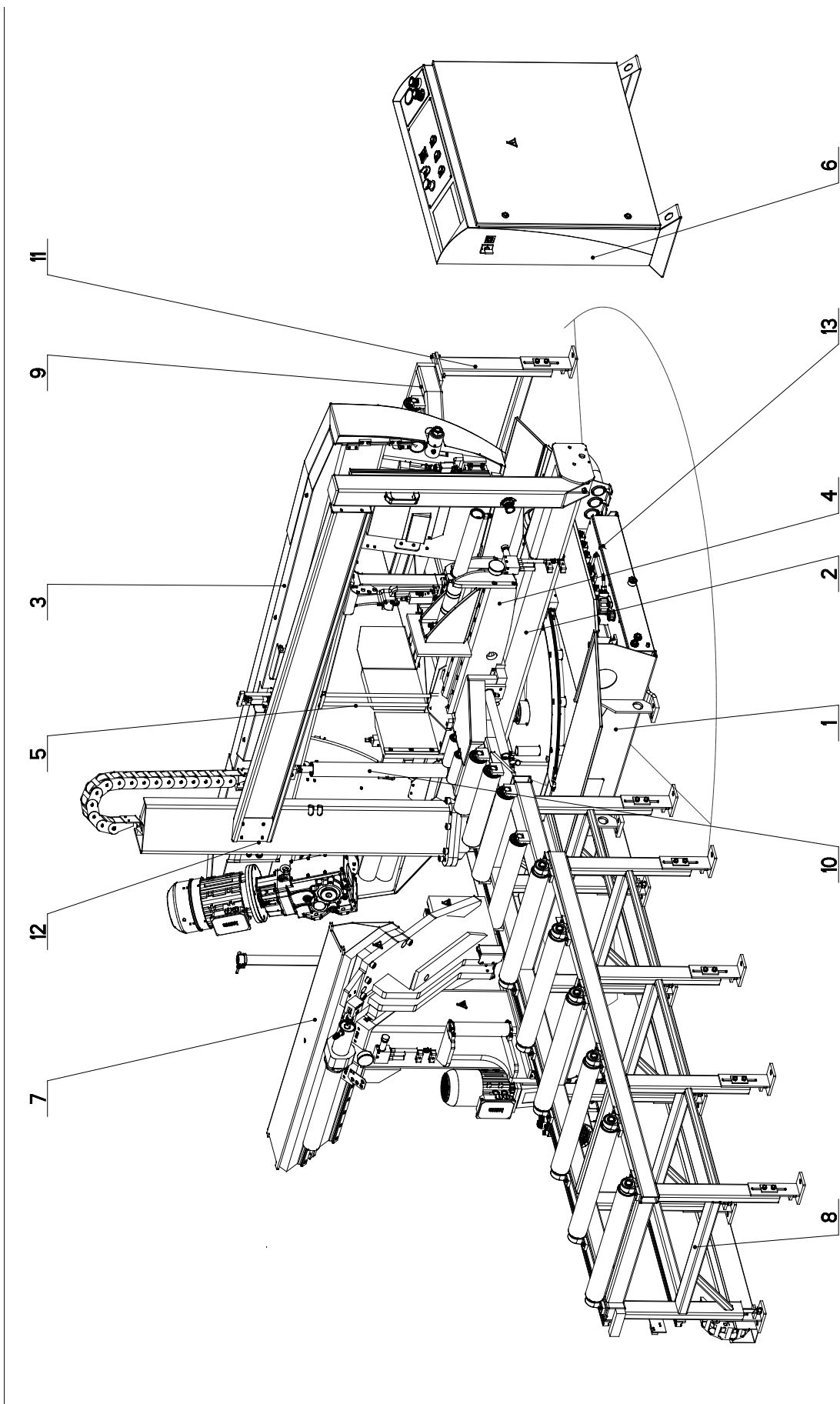
Typ / Type / Type	Podavač / Vorschub / Feeder (TIN7)
Hydraulický agregát / Hydroaggregat	870-1394/731-0504
Hydro aggregat	92.001.071 (28486100)
Neuvedené světlosti / Unerwähnt Lichtbreite Unlisted inside diameters	JS6
Výstupní šroubení / Ausgangsschraubung Output screwing	G1/4"
$p_{max}$	5 Mpa
Q	6,6/3,3 dm <sup>3</sup> /min
n	2800/1400 ot./min
P	0,55/037 kW


Poz.	Název položky		ks
Pos.	Bezeichnung		Menge
Pos.	Item		Pcs.
1	Nádrž / Behälter / Tank	N17 TM, 307507891002 15 dm <sup>3</sup>	1
2	Elektromotor / Elektromotor / Electromotor	TM80-2/4S, 0,55/0,37 kW, 400/230 V/50 Hz	1
3	Hydrogenerátor / Hydraulikgenerator / Hydrogenerator	P2-2,5L,66017 2,5 cm <sup>3</sup> /rpm	1
4	Jednosměrný ventil / Einwegventil / One-way valve	VJ01-06/SG-1	1
5	Přepouštěcí ventil / Bypassventil / By pass valve	VPP2-04/S-6 5 MPa	1
6	Sací filtr / Filter / Suction filter	2SF56/48-0,063 63 μm	1
7	Rozvaděč / Verteilungsventil / Distributor	RPE3-043Z11/02400E1K1 92.101.010	2
8	Rozvaděč / Verteilungsventil / Distributor	SD2E-A3/S2D26 408-0328.003	1
9	Tlakový spínač / Druckschalter / Pressure switch	0166415031059 20–50 bar	2
10	Nalévací zátka / Einfüllspund / Fill stopper	L1.0406-51	1
11	Redukční ventil / Reduktionsventil / Control valve	VRP-04-PS/6,3 92.154.003	1
12	Kulový ventil / Kugelventil / Globe valve	99.260.004	1

## **7. Výkresy sestav pro objednání náhradních dílů / Zeichnungen für Bestellung der Ersatzteile / Drawing assemblies for spare parts order**

- Při objednávání náhradních dílů vždy uvádějte: typ stroje (např. practix Individual 620.460 DGANC) , výrobní číslo (např. 125) a rok výroby (např. 1999).
- In die Bestellung der Ersatzteile führen Sie immer an: Maschinentyp (z. B. Individual 620.460 DGANC), Serien Nr. (z. B. 125) und Baujahr (z. B. 1999).
- For spare parts order, you must always to allege: type of machine (for example Individual 620.460 DGANC), serial number (for example 125, see cover page) and year of construction (for example 1999).

### 7.1. Individual 620.460 DGANC 1



 <b>BOMAR s.r.o.</b>	NÁZEV SESTAVY <b>PILA PASOVA</b>	ČÍSLO SESTAVY <b>201.W400-100</b>	STROJ <b>IN460DGANC</b>
Konstrukoval: <b>HLADIL</b>		Datum: <b>15. 05. 2012</b>	
Meritko: <b>7:100</b>			

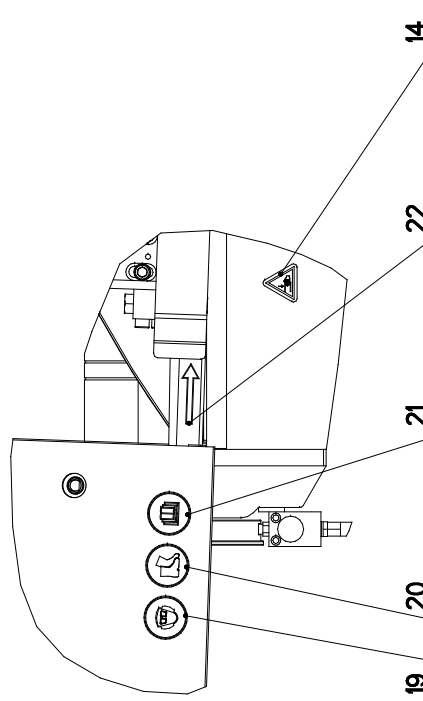
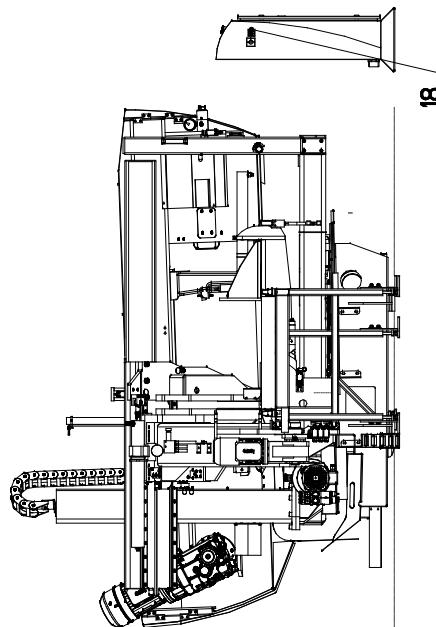
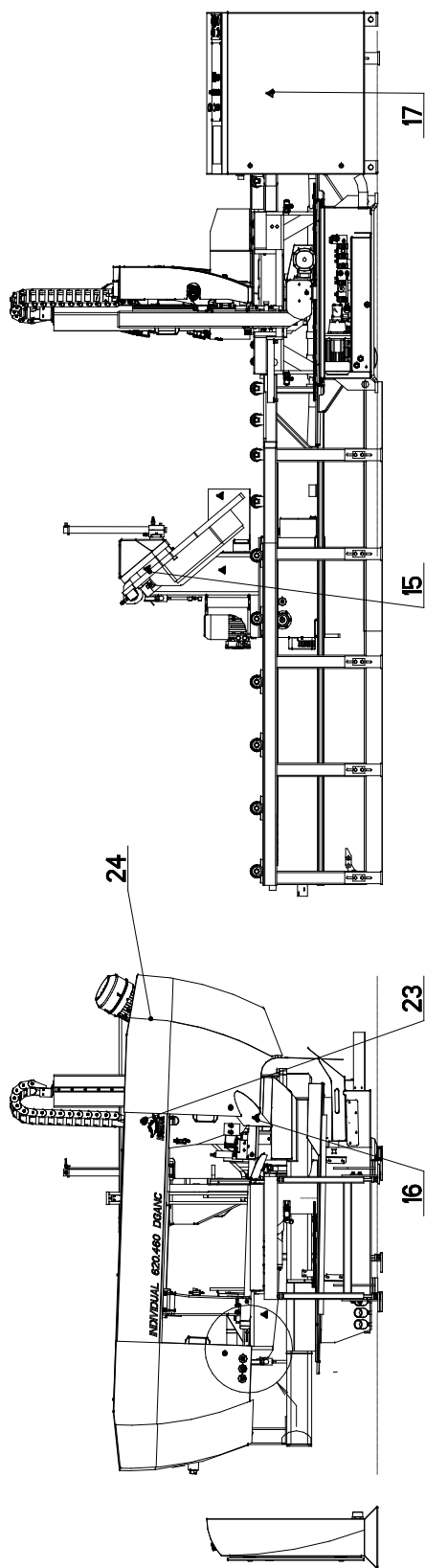
## 7.2. Kusovník / Stückliste / Piece list – Individual 620.460 DGANC 1

Císlo Sestavy 201.W400-100		Název sestavy PÍLA PASOVA/BAND SAW/BANDSAGE		
Ver.	0	Ver.	0	
Císlo Sestavy 201.W400-100	Ver.	0	0	
Objednací číslo	Ver.	Název položky	Rozměr	Ks
1	201.V401-100	0	PODSTAVEC / BASE / UNTERSATZ	1
2	201.V402-200	0	KONZOLA OTOCNA / TURNABLE CONSOL / DREHKONSOLE	1
3	201.V404-200	2	RAMENO / SAW ARM / SÄGERAHMEN	1
4	201.V409-200	0	SVERAK / VICE / SCHRAUBSTOCK	1
5	201.V414-350	0	DORAZ / STOP PIECE / ANSCHLAG	1
6	201.W430-100	0	OVLADACI PANEL / CONTROL PANEL / BEDIENPULT	1
7	201.W450-000	1	PODAVAC / FEEDER / VORSCHUB	1
8	201.W460-000	1	TRAT / TRACK / BAHN	1
9	201.W480-100	0	DIL PROPOJOVACI / CONNECTING PART / VERBINDUNGSTEIL	1
10	201.Y407-210	3	VALEC ZVEDACI / LIFTING CYLINDER / HEBEZYLINDER	1
11	203.X106-100	1	NOHA DOPRAVNÍKU / FEEDER LEG / STÄNDER DES FÖRDERERS	1
12	30.W499-001	0	STÍTEK / LABEL / SCHILD	P 0.5x65
13	31.0899-004	0	SAMOLEPKA / STICKER / AUFKLEBER	1
14	99.900.039	0	SAMOLEPKA / STICKER / AUFKLEBER	3
15	99.900.041	0	SAMOLEPKA / STICKER / AUFKLEBER	2
16	99.900.043	0	SAMOLEPKA / STICKER / AUFKLEBER	3
17	99.900.045	0	SAMOLEPKA / STICKER / AUFKLEBER	1
18	99.900.046	0	SAMOLEPKA / STICKER / AUFKLEBER	1
19	99.900.047	0	SAMOLEPKA / STICKER / AUFKLEBER	1
20	99.900.048	0	SAMOLEPKA / STICKER / AUFKLEBER	1
21	99.900.049	0	SAMOLEPKA / STICKER / AUFKLEBER	1
22	99.900.053	0	SAMOLEPKA / STICKER / AUFKLEBER	1
23	99.901.032	0	SAMOLEPKA / STICKER / AUFKLEBER	CETIFIKACNI SAMOLEPKA
24	99.901.034	0	SAMOLEPKA / STICKER / AUFKLEBER	IN 460 GANC

Císlo Sestavy/Number of assembly/Nummer der Baugruppe; Verze (Ver./Version/Version; Název sestavy/Assembly title/Name der Baugruppe; Pozice (Poz./)Position/Position;  
Objednací číslo/Purchase order number/Bestellnummer; Název položky/Volume title/Name der Position; Rozměr/Stock size/Abmessung



### 7.3. Individual 620.460 DGANC 2



NAZEV SESTAVY PILA PASOVA	CISLO SESTAVY 201.W400-100	STROJ IN460DGANC
Konstruoval: HLADIL		
Datum: 15. 05. 2012		
Meritko: 1:25		

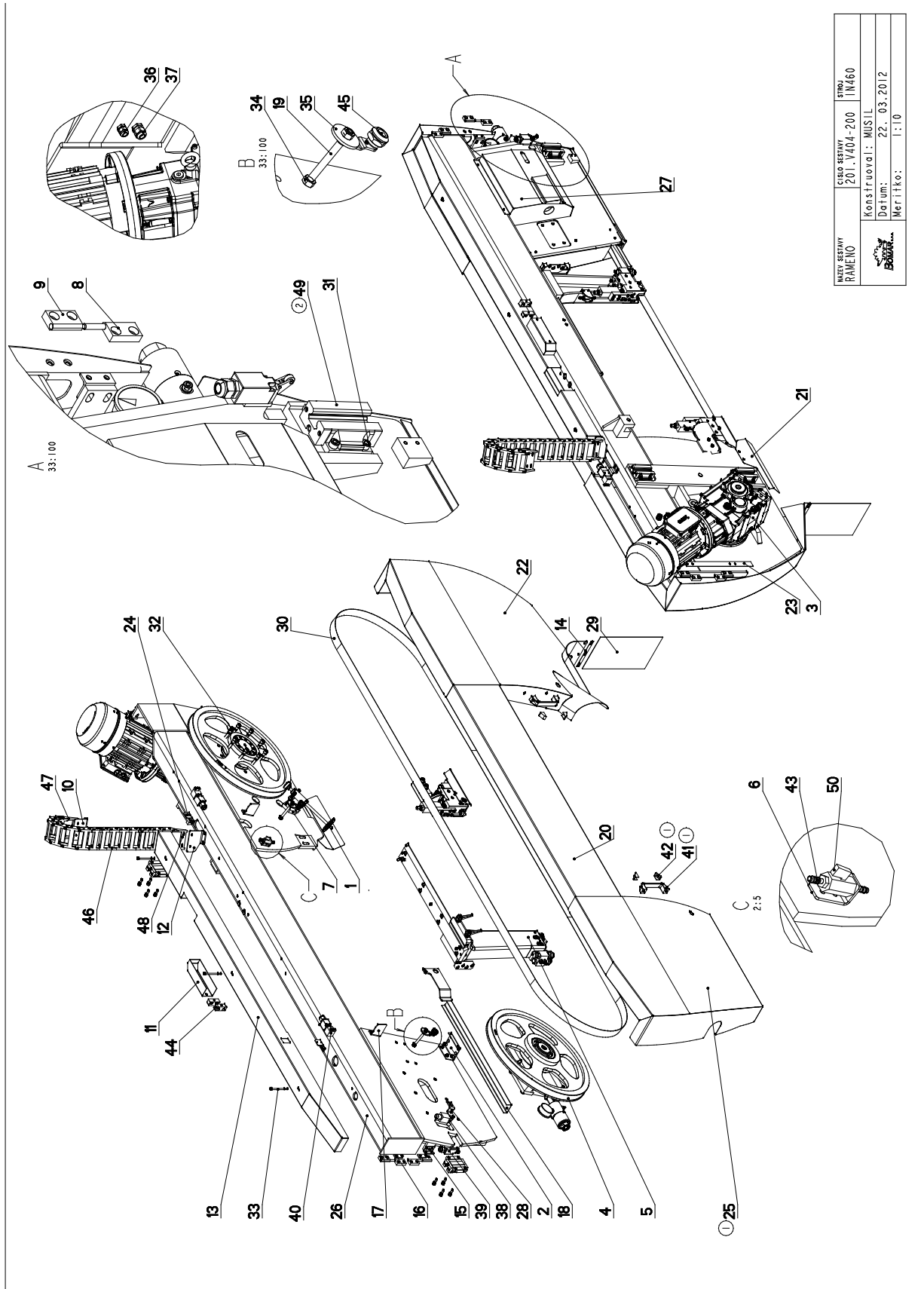
D  
1:5

## 7.4. Kusovník / Stückliste / Piece list – Individual 620.460 DGANC 2

Cislo Sestavy 201.W400-100		Název sestavy PILA PASOVA/BAND SAW/BANDSÄGE			
Poz.	Objednací číslo	Ver.	Název položky	Rozměr	Ks
1	201.W401-100	0	PODSTAVEC / BASE / UNTERSATZ		1
2	201.W402-200	0	KONZOLA OTOCNA / TURNABLE CONSOL / DREHKONSOLE		1
3	201.W404-200	2	RAMENO / SAW ARM / SÄGERAHMEN		1
4	201.W409-200	0	SVERAK / VICE / SCHRAUBSTOCK		1
5	201.W414-350	0	DORAZ / STOP PIECE / ANSCHLAG		1
6	201.W430-100	0	OVLADACI PANEL / CONTROL PANEL / BEDIENPULT		1
7	201.W450-000	1	PODAVAC / FEEDER / VORSCHUB		1
8	201.W460-000	1	TRAT / TRACK / BAHN		1
9	201.W480-100	0	DIL PROPOJOVACI / CONNECTING PART / VERBINDUNGSTEIL		1
10	201.W407-210	3	VALEC ZVEDACI / LIFTING CYLINDER / HEBEZYLLINDER		1
11	203.X106-100	1	NOHA DOPRAVNÍKU / FEEDER LEG / STÄNDER DES FÖRDERERS		1
12	30.W499-001	0	STÍTEK / LABEL / SCHILD	P 0.5x65	1
13	31.0899-004	0	SAMOLEPKA / STICKER / AUFLEBER		1
14	99.900.039	0	SAMOLEPKA / STICKER / AUFLEBER	NEBEZP. ŠTLACENI	3
15	99.900.041	0	SAMOLEPKA / STICKER / AUFLEBER		2
16	99.900.043	0	SAMOLEPKA / STICKER / AUFLEBER		3
17	99.900.045	0	SAMOLEPKA / STICKER / AUFLEBER		1
18	99.900.046	0	SAMOLEPKA / STICKER / AUFLEBER		1
19	99.900.047	0	SAMOLEPKA / STICKER / AUFLEBER		1
20	99.900.048	0	SAMOLEPKA / STICKER / AUFLEBER		1
21	99.900.049	0	SAMOLEPKA / STICKER / AUFLEBER		1
22	99.900.053	0	SAMOLEPKA / STICKER / AUFLEBER		1
23	99.901.032	0	SAMOLEPKA / STICKER / AUFLEBER	CETIFIKACNI SAMOLEPKA	1
24	99.901.034	0	SAMOLEPKA / STICKER / AUFLEBER	IN 460 GANC	1

Cislo Sestavy/Number of assembly/Nummer der Baugruppe; Verze (Ver.)/Version/Versio; Název sestavy/Assembly title/Name der Baugruppe; Pozice (Poz.)/Position/Position;  
Objednací číslo/Purchase order number/Bestellnummer; Název položky/Volume title/Name der Position; Rozměr/Stock size/Abmessung

## 7.5. Rameno / Sägerahmen / Saw arm 1



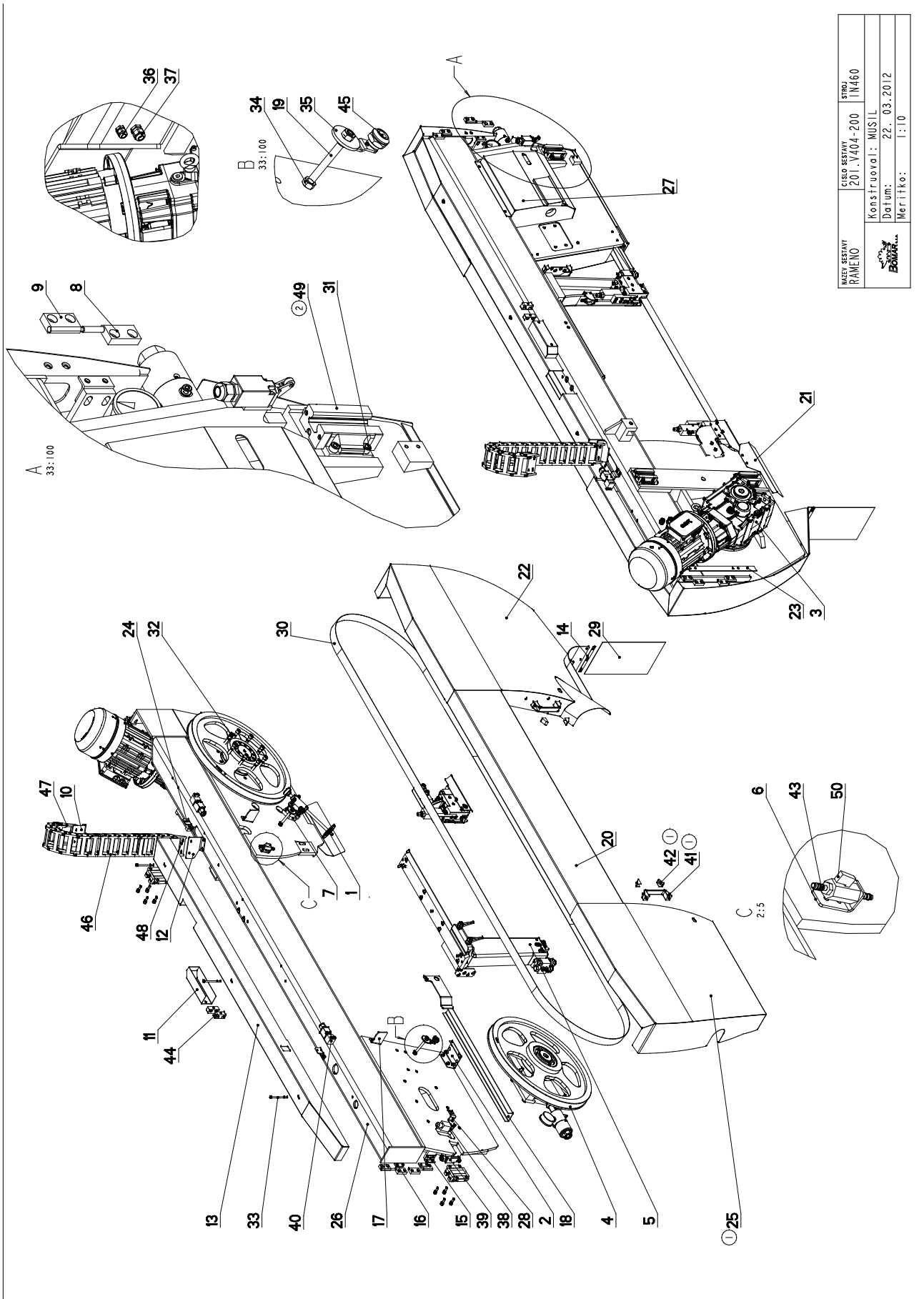
NAZEV ŠESTVY RAMENO	ČÍSLO ŠESTVY 201.V404-200	ŠTÚK 1IN460
Konstruoval: MUSIL		Datum: 22. 03. 2012
Meritko: 1:10		

## 7.6. Kusovník / Stückliste / Piece list – Rameno / Sägerahmen / Saw arm 1

Císlo Sestavy 201.V404-200		Název sestavy RAMENO/SAW ARM/SÄGERAHMEN			
Poz.	Objednací číslo	Ver.	Název položky	Rozměr	Ks
1	201.9214-300	0	KARTAC / BRUSH / BÜRSTE		1
2	201.Y404-070	0	DRZAK / HOLDER / HALTER		1
3	201.Y405-200	1	POHON / DRIVE / ANTRIEB		1
4	201.Y408-000	0	NAPINANI / TENSIONING / SPANNUNG		1
5	201.Y410-000	2	VEDENÍ PASU / BELT GUIDE / SÄGEBANDFÜHRUNG		1
6	30.1814-011	1	DRZAK / HOLDER / HALTER	P 3x76	1
7	30.4814-701	0	ZAKLADNA / BASE / GRUNDLAGE	TYC 70x15	1
8	30.6014-109	1	PANT / HINGE / TÜRBAND		4
9	30.6014-110	1	PANT / HINGE / TÜRBAND	HR 30x12	4
10	30.7114-142	1	DRZAK / HOLDER / HALTER	P 4 - 100	1
11	30.8914-220	1	KRYT / COVER / ABDECKUNG	P 1.5 - 153	1
12	30.T304-014	0	DRZAK / HOLDER / HALTER	P 4-100	1
13	30.V404-219	0	KRYT / COVER / ABDECKUNG	P 2x238	1
14	30.Y304-030	0	PLECH / PLATE / BLECH	P 1-15	1
15	30.Y304-034	1	DRZAK / HOLDER / HALTER	L 20x30	1
16	30.Y304-035	0	DESKA / BOARD / PLATTE	HR 20x5	4
17	30.Y304-038	0	ZAMEK / LOCK / SCHLOSS	P4 - 67	2
18	30.Y404-009	1	KRYT PASU / BELT COVER / BANDABDECKUNG		1
19	30.Y404-018	0	TYC ZAVIŤOVA / THREADED POLE / GEWINDESTANGE	M10	2
20	30.Y404-022	0	KRYT PASU / BELT COVER / BANDABDECKUNG		1
21	30.Y404-028	0	SKLIZ / SLIDE / RUTSCH	PI-136	1
22	30.Y404-031	2	KRYT RAMENE / SHOULDER COVER / RAHMENABDECKUNG		1
23	30.Y404-033	1	DRZAK / HOLDER / HALTER	L 30x20x3	1
24	30.Y404-039	0	DRZAK / HOLDER / HALTER	P3 - 35	2
25	30.Y404-132	0	KRYT RAMENE / SHOULDER COVER / RAHMENABDECKUNG		1
26	30.Y404-201	1	RAMENO / SAW ARM / SÄGERAHMEN	SVARENO	1
27	30.Y404-203	0	KRYT NAPINANI / TENSIONING COVER / BANDSPANNUNGSABDECKUNG		1
28	30.Y504-003	0	DRZAK / HOLDER / HALTER	P3-30	1
29	31.PK02-054	0	GUMA / RUBBER / GUMMI	G2 - 206	1
30	44.105.001	0	PAS PÍLOVÝ / SAW BELT / SÄGEBAND	41x1,3	1
31	90.001.25.033	0	SROUB IMBUS / ALLEN HEAD BOLT / IMBUSSCHRAUBE	8x25	12

Císlo Sestavy/Number of assembly/Nummer der Baugruppe; Verze (Ver.)/Version/Version; Název sestavy/Assembly title/Name der Baugruppe; Pozice (Poz.)/Position/Position;  
Objednací číslo/Purchase order number/Bestellnummer; Název položky/Volume title/Name der Position; Rozměr/Stock size/Abmessung

## 7.7. Rameno / Sägerahmen / Saw arm 2



NAZEV ŠESTAVY RAMENO	CÍLOVÝ ŠESTAVY 201.V404-200	ŠTŘEJ IN460
Konstruoval: MUSIL		Datum: 22. 03. 2012
Meritko: 1:10		

## 7.8. Kusovník / Stückliste / Piece list – Rameno / Sägerahmen / Saw arm 2

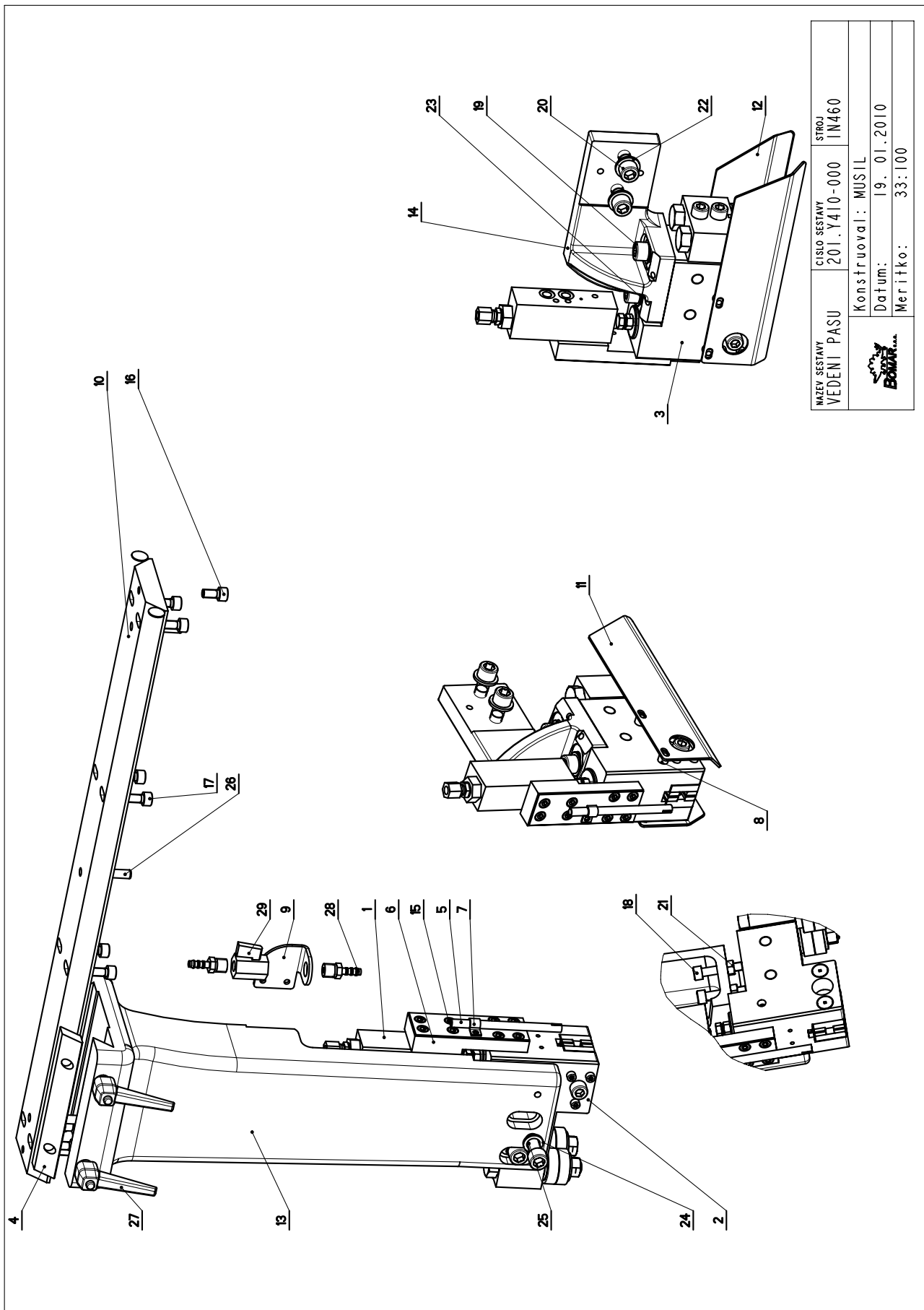
32	90.001.25.062	0	SROUB IMBUS / ALLEN HEAD BOLT / IMBUSSCHRAUBE	MI2X50	8
33	90.001.25.070	0	SROUB IMBUS / ALLEN HEAD BOLT / IMBUSSCHRAUBE	M6x90	3
34	90.100.55.006	0	MATICE / NUT / MUTTER	MATICE - M10	6
35	90.151.50.002	0	PODLOZKA / WASHER / UNTERLEGSCHLEIBE	PODLOZKA I2	2
36	91.070.011	0	VYVODKA / BUSHING / TÜLE	M16x1.5	1
37	91.070.012	0	VYVODKA / BUSHING / TÜLE	M20x1.5	1
38	91.173.007	0	SPINAC KONCOVY / END SWITCH / ENDSCHALTER		1
39	91.173.009	0	SPINAC KONC.S KLADK. / END SWITCH WITH PULLEY / ENDSCHALTER MIT ROLLE	PZ-FR605-M2	1
40	91.173.012	0	SPINAC KONCOVY / END SWITCH / ENDSCHALTER	ØKS8-2xNC	2
41	94.012.001	1	RUKOJET / HANDLE / GRIFF		2
42	94.012.002	1	ZATKA / PLUG / STOPFEN		4
43	94.202.002	0	REDUKCE / REDUCTION / ADAPTOR / REDUKTION	REDUKCE 6/R1/4"	2
44	94.204.005	0	DRZAK / HOLDER / HALTER	LBG 14/14-PP	2
45	99.104.002	0	ZAMEK / LOCK / SCHLOSS	ZAMEK CINSKY	2
46	99.170.001	0	RETEZ ENERGIÍ / ENERGY BELT / ENERGIEKETTE	0555.030.075.100	15
47	99.173.001	0	RETEZ ENERGIÍ / ENERGY BELT / ENERGIEKETTE	KONCOVKA VNEJ	1
48	99.173.002	0	RETEZ ENERGIÍ / ENERGY BELT / ENERGIEKETTE	KONCOVKA VNIT	1
49	99.201.058	1	VOZIK LINEARNIHO VEDENÍ / LINEAR GUIDE CART / LINEARFUHRUNGSWAGEN	MSA30E SS FO N	3
50	99.260.003	0	VENTIL / VALVE / VENTIL	1/4"	1


1. KRYT 30.Y404-032 NAHRAZEN KRYTEM 30.Y404-132; PRIDANY 2x DRZAK 94.012.001 A 4x KRYTKA 94.012.002;  
276/Zm.304 HLADIL 23.11.2011

2.ZRUS.LIN.VEDENI 99.201.007 A NAHR.99.201.058 . 056/ZMI05 22.3.2012 SLEZACKOVA

Cislo Sestavy/Number of assembly/Nummer der Baugruppe; Verze (Ver.)/Version/Versio; Nazev sestavy/Assembly title/Name der Baugruppe; Pozice (Poz.)/Position/Position;  
Objednaci cislo/Purchase order number/Bestellnummer; Nazev polozky/Volume title/Name der Position; Rozmer/Stock size/Abmessung

### 7.9. Vedení pásu / Sägebandführung / Belt guide



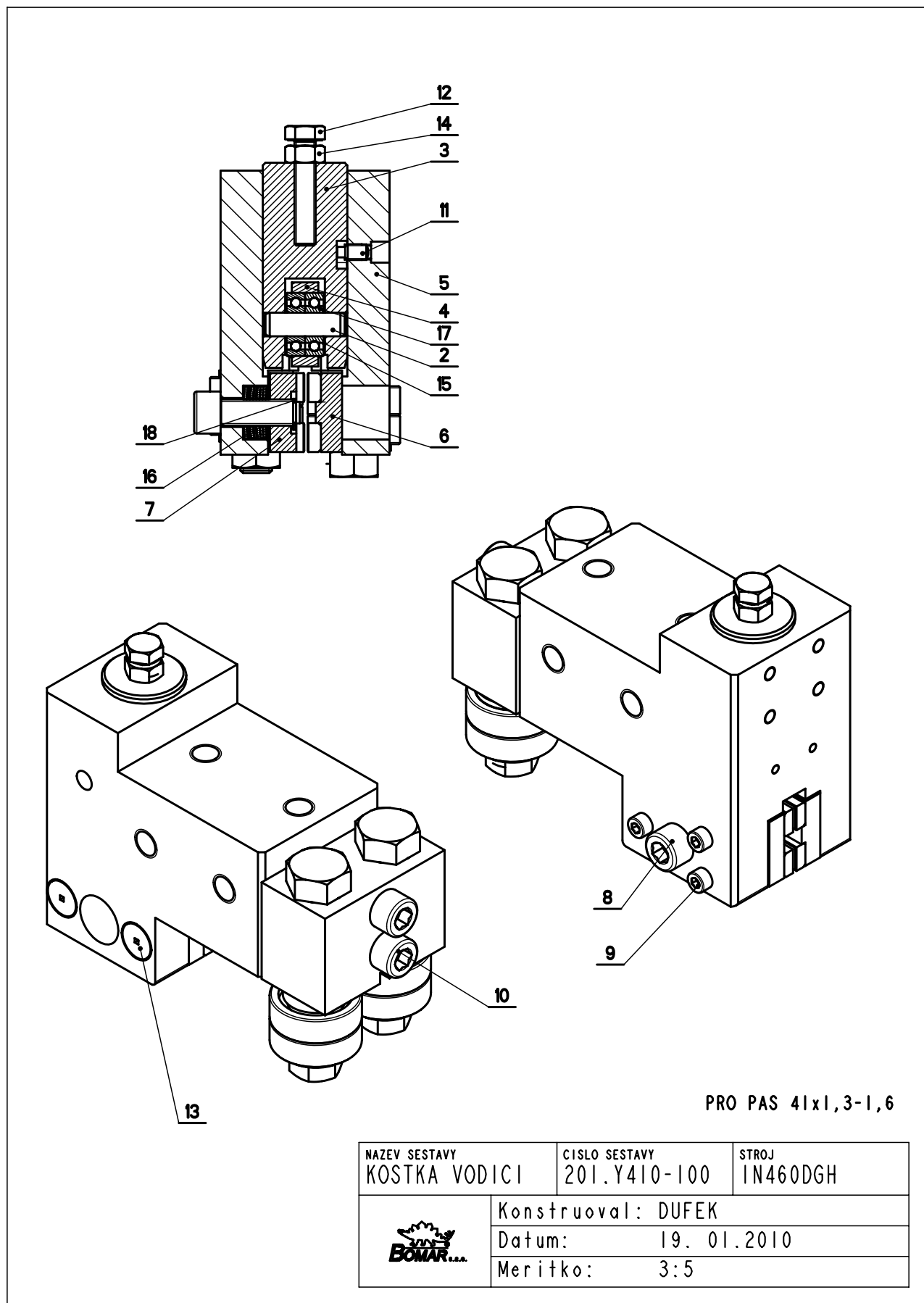
	MZEV SESTAVY <b>VEDENÍ PASU</b>	ČÍSLO SESTAVY 201.Y410-000	STROJ IN460
	Konstruoval: MUSIL		Datum: 19. 01.2010
		Meritko: 33:100	

7.10. Kusovník / Stückliste / Piece list –  
Vedení pásu / Sägebandführung / Belt guide

Císlo Sestavy 201.Y410-000		Název sestavy VEDENÍ PASU/BELT GUIDE/SÄGEBANDFÜHRUNG			
Poz.	Objednávací číslo	Ver.	Název položky	Rozměr	Ks
1	201.6816-100	0	KOSTKA REGULACE / REGULATION CUBE / REGULINGSWÜRFEL		2
2	201.Y410-100	0	KOSTKA VODICI / LEAD CUBE / FÜHRUNGSKLOTZ		1
3	201.Y410-200	0	KOSTKA VODICI / LEAD CUBE / FÜHRUNGSKLOTZ		1
4	30.0810-011	0	LISTA TRECI / FRICTION TRIM / FRIKTIONSLEISTE		1
5	30.3510-004	0	TRUBKA / TUBE / ROHR	HR 30x10	2
6	30.6016-002	0	DESKA / BOARD / PLATTE	TR 8x 1	2
7	30.9010-003	0	DRZAK / HOLDER / HALTER	HR 40x20	2
8	30.Y310-007	0	KROUZEK / RING / RING	PI.5x10	2
9	30.Y310-008	0	DRZAK / HOLDER / HALTER	TR 10x2,5	4
10	30.Y410-003	0	LISTA VODICI / LEAD TRIM / FÜHRUNGSLEISTE	P3-50	1
11	30.Y410-006	0	KRYT PASU / BELT COVER / BANDABDECKUNG	HR 90x20	1
12	30.Y410-008	0	KRYT PASU / BELT COVER / BANDABDECKUNG	P2-70	1
13	30.Y410-104	0	KONZOLA / CONSOLE / KONSOLE	P2-70	1
14	30.Y410-105	0	DRZAK / HOLDER / HALTER		1
15	90.001.25.016	0	SROUB IMBUS / ALLEN HEAD BOLT / IMBUSSCHRAUBE	M6X12	16
16	90.001.25.031	0	SROUB IMBUS / ALLEN HEAD BOLT / IMBUSSCHRAUBE	8x16	2
17	90.001.25.032	0	SROUB IMBUS / ALLEN HEAD BOLT / IMBUSSCHRAUBE	8x20	8
18	90.001.25.036	0	SROUB IMBUS / ALLEN HEAD BOLT / IMBUSSCHRAUBE	M8X40	2
19	90.001.25.058	0	SROUB IMBUS / ALLEN HEAD BOLT / IMBUSSCHRAUBE	M12X30	4
20	90.001.25.061	0	SROUB IMBUS / ALLEN HEAD BOLT / IMBUSSCHRAUBE	M12X45	2
21	90.100.55.005	0	MATICE / NUT / MUTTER	MATICE - M8	2
22	90.150.50.007	0	PODLOZKA / WASHER / UNTERLEGSCHIEBE	PODLOZKA 13	2
23	90.150.50.XXX	0	PODLOZKA / WASHER / UNTERLEGSCHIEBE	PODLOZKA B13	2
24	90.163.00.003	0	PODLOZKA / WASHER / UNTERLEGSCHIEBE	NORD-LOCK	2
25	90.300.02.007	0	KOLIK VALCOVY KALENY / CYLINDRICAL PIN TEMPERED / ZYLINDERSTIFT GEHÄRTET	KOLIK 6X36	2
26	90.302.02.002	0	KOLIK KUZELOVY / TAPER PIN / KEGELBOLZEN	KOLIK 8X30	3
27	94.008.003	0	PAKA UPINACI / ATTACHMENT LEVER / SPANNHEBEL	M8x40	2
28	94.202.002	0	REDUKCE / REDUCTION / ADAPTOR / REDUKTION	REDUKCE 6/R1/4"	2
29	99.260.003	0	VENTIL / VALVE / VENTIL	1/4"	1



### 7.11. Kostka vodící / Führungsklotz / Lead cube 1



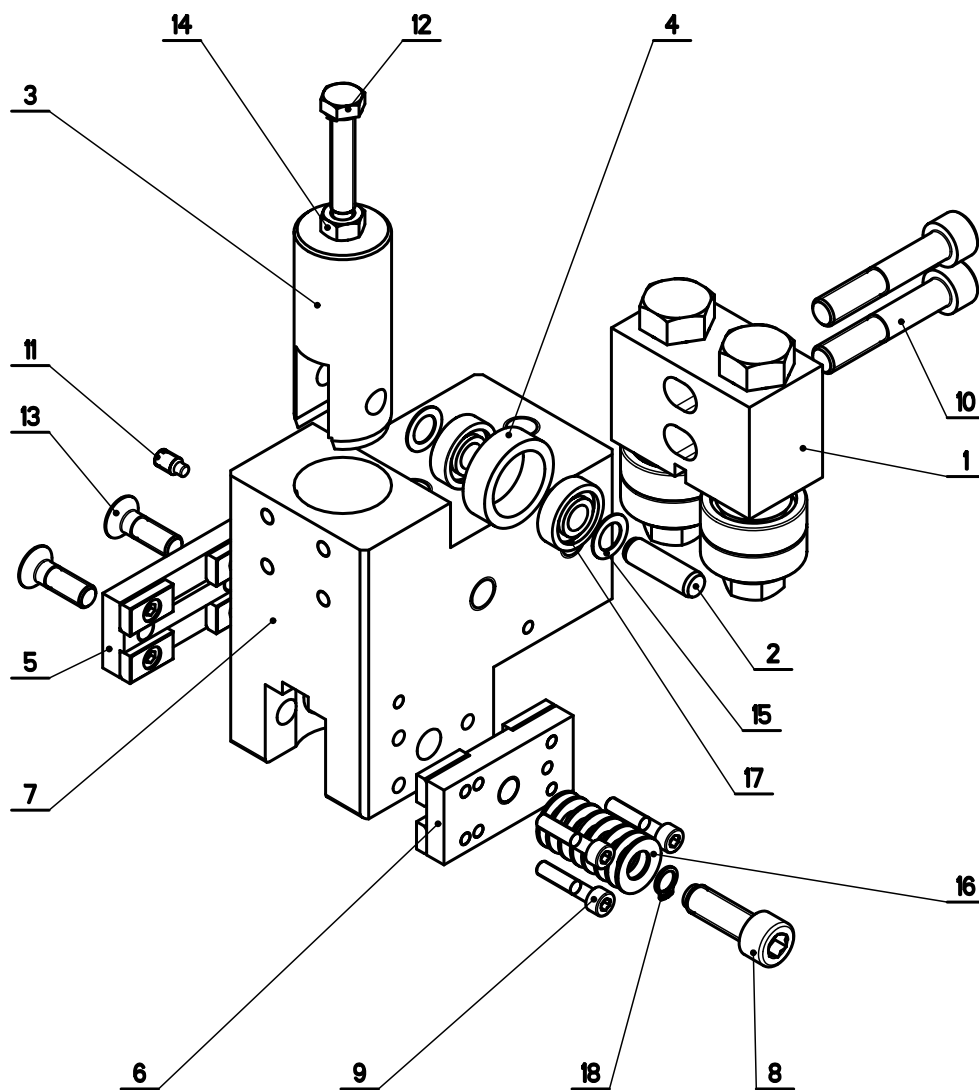
PRO PAS 41x1,3-1,6

NAZEV SESTAVY KOSTKA VODICI	CISLO SESTAVY 201.Y410-100	STROJ IN460DGH
	Konstruoval: DUFEK	
	Datum: 19. 01.2010	
	Meritko: 3:5	

7.12. Kusovník / Stückliste / Piece list –  
Kostka vodící / Führungsklotz / Lead cube 1

Cislo Sestavy 201.Y410-100		Název sestavy KOSTKA VODÍCI/LEAD CUBE/FÜHRUNGSKLOTZ			
Poz.	Objednací číslo	Ver.	Název položky	Rozměr	Ks
1	201.6110-510	0	VEDENÍ / GUIDE / BACKENFÜHRUNG		1
2	30.6710-108	1	KOLÍK / PIN / BOLZEN	TYC 10	1
3	30.6710-109	0	PIST / PISTON / KOLBEN	d 32	1
4	30.6710-110	1	KROUZEK / RING / RING	LH 2403210	1
5	30.Y410-101	1	KOSTKA VODÍCI / LEAD CUBE / FÜHRUNGSKLOTZ	HR 110x70	1
6	30.Y410-110	0	DRŽÁK TVRDOKOVU / POA HOLDER / HM-HALTER		1
7	30.Y410-120	0	DRŽÁK TVRDOKOVU / POA HOLDER / HM-HALTER		1
8	30.Y610-503	0	SROUB IMBUS / ALLEN HEAD BOLT / IMBUSSCHRAUBE	M10X30	1
9	90.001.25.011	0	SROUB IMBUS / ALLEN HEAD BOLT / IMBUSSCHRAUBE	M5X25	3
10	90.001.25.054	0	SROUB IMBUS / ALLEN HEAD BOLT / IMBUSSCHRAUBE	M10X60	2
11	90.004.20.002	0	SROUB STAVEC / ADJUSTMENT BOLT / STELLSCHRAUBE	SROUB M6X12	1
12	90.005.55.019	0	SROUB 6HRANNY / 6 SIDED BOLT / SECHSKANTSCHRAUBE	SROUB M8X40	1
13	90.011.27.016	0	SROUB ZAPUSTNY / COUNTERSINK BOLT / SENKSCHRAUBE	SROUB M8X25	2
14	90.100.55.005	0	MATICE / NUT / MUTTER	MATICE - M8	1
15	90.154.50.003	0	PODLOZKA / WASHER / UNTERLEGSCHIEBE	10x16x0.50	2
16	90.350.02.005	0	PRUŽINA TALIROVA / DISC SPRING / TELLERFEDER	20X10.2X1.1	8
17	95.001.044	0	LOŽISKO / BEARING / LAGER	609 2RS	2
18	95.800.002	0	KROUZEK POJIST.VNEJS / OUTSIDE SAFETY RING / SICHERUNGSRING AUBEN	POJISTNY KROUZEK 8	1

### 7.13. Kostka vodící / Führungsklotz / Lead cube 2



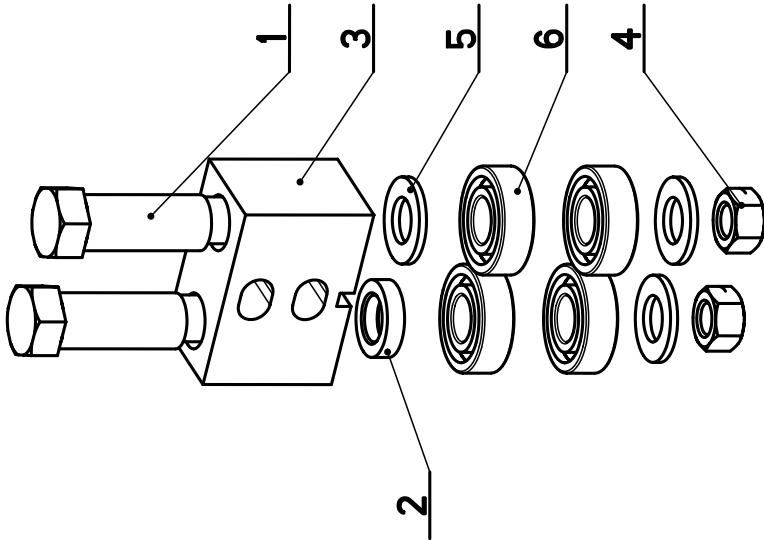
NAZEV SESTAVY KOSTKA VODICI	CISLO SESTAVY 201.Y410-200	STROJ 1N460DGH
	Konstruoval: MUSIL	
	Datum: 19. 01. 2010	
	Meritko: 1:2	

7.14. Kusovník / Stückliste / Piece list –  
Kostka vodící / Führungsklotz / Lead cube 2

Cislo Sestavy 201.Y410-200		Název sestavy KOSTKA VODÍCI/LEAD CUBE/FÜHRUNGSKLOTZ			
Poz.	Objednací číslo	Ver.	Název položky	Rozměr	Ks
1	201.6110-510	0	VEDENÍ / GUIDE / BACKENFÜHRUNG		1
2	30.6710-108	1	KOLÍK / PIN / BOLZEN	TYC 10	1
3	30.6710-109	0	PIST / PISTON / KOLBEN	d 32	1
4	30.6710-110	1	KROUZEK / RING / RING	LH 2403210	1
5	30.Y410-110	0	DRŽAK TVRDOKOVU / POA HOLDER / HM-HALTER		1
6	30.Y410-120	0	DRŽAK TVRDOKOVU / POA HOLDER / HM-HALTER		1
7	30.Y410-201	1	KOSTKA VODÍCI LEVA / LEAD CUBE / FÜHRUNGSKLOTZ	HR 110x70	1
8	30.Y610-503	0	SROUB IMBUS / ALLEN HEAD BOLT / IMBUSSCHRAUBE	M10X30	1
9	90.001.25.011	0	SROUB IMBUS / ALLEN HEAD BOLT / IMBUSSCHRAUBE	M5X25	3
10	90.001.25.053	0	SROUB IMBUS / ALLEN HEAD BOLT / IMBUSSCHRAUBE	M10X55	2
11	90.004.20.002	0	SROUB STAVEC I / ADJUSTMENT BOLT / STELSCHRAUBE	SROUB M6X12	1
12	90.005.55.019	0	SROUB 6HRANNY / 6 SIDED BOLT / SECHSKANTSCHRAUBE	SROUB M8X40	1
13	90.011.27.016	0	SROUB ZAPUSTNY / COUNTERSINK BOLT / SENKSCHRAUBE	SROUB M8X25	2
14	90.100.55.005	0	MATICE / NUT / MUTTER	MATICE - M8	1
15	90.154.50.003	0	PODLOZKA / WASHER / UNTERLEGSCHIEBE	10x16x0.50	2
16	90.350.02.005	0	PRUŽINA TALIROVA / DISC SPRING / TELLERFEDER	20X10.2X1.1	8
17	95.001.044	0	LOŽISKO / BEARING / LAGER	609 2RS	2
18	95.800.002	0	KROUZEK POJIST.VNEJS / OUTSIDE SAFETY RING / SICHERUNGSRING AUBEN	POJISTNY KROUZEK 8	1

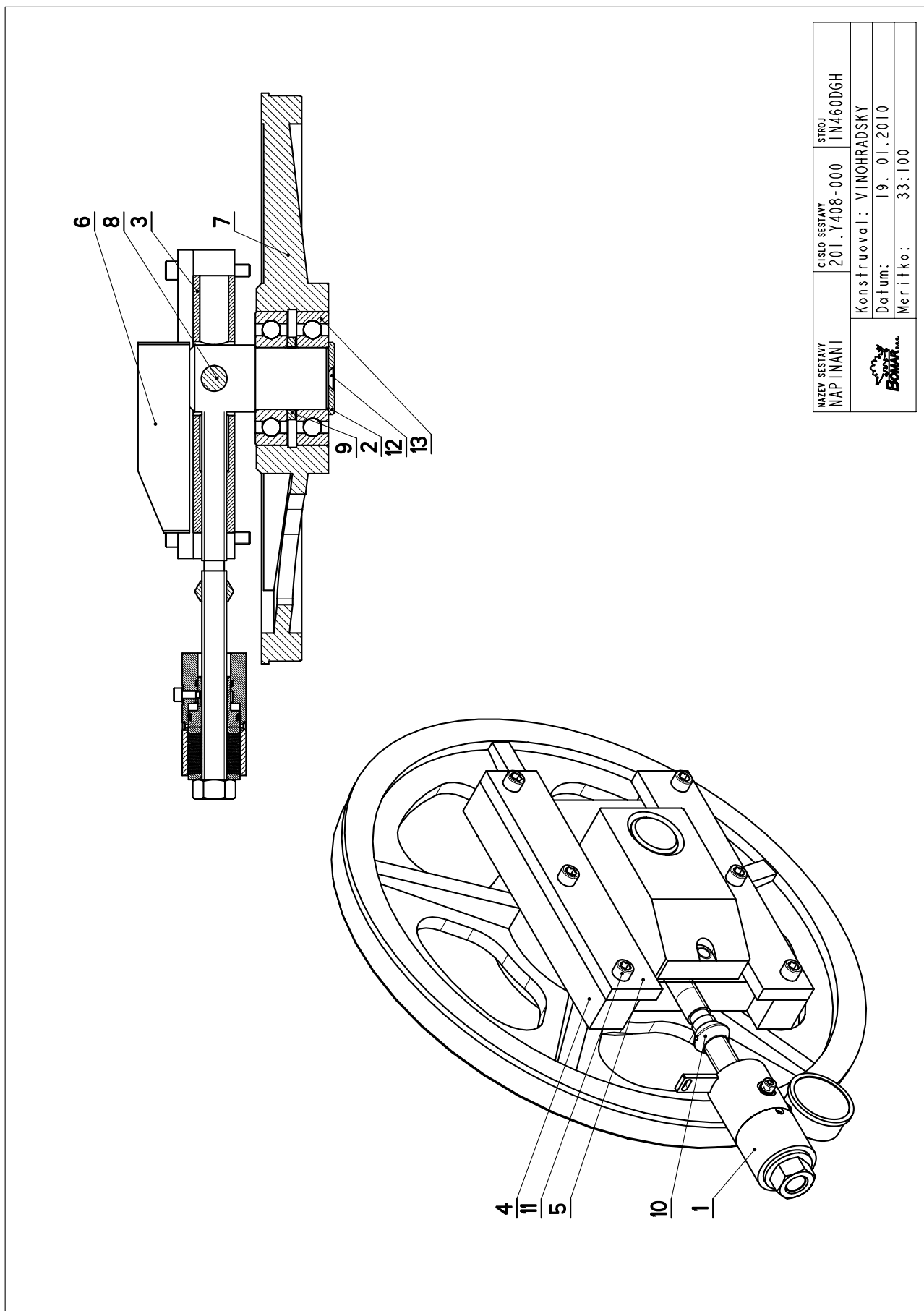
## 7.15. Vedení / Backenführung / Guide


Cislo Sestavy 201.6110-510		Název sestavy VEDENÍ/GUIDE/BACKENFÜHRUNG			
Poz.	Objednávací číslo	Ver.	Mázev položky	Rozměr	Ks
1	30.6010-104	1	EXCENTR / CAM / EXCENTER	SK 22	2
2	30.6010-108	0	KROUZEK DISTANČNÍ / DISTANCE RING / DISTANZRING	Tr 25x5	1
3	30.6110-502	0	KOSTKA VODICÍ / LEAD CUBE / FÜHRUNGSKLOTZ	HR 80x50	1
4	90.100.55.007	0	MATICE / NUT / MUTTER	MATICE - M12	2
5	90.150.50.008	0	PODLOŽKA / WASHER / UNTERLEGSCHLEIBE	PODLOŽKA 15	3
6	95.001.015	0	LOŽISKO / BEARING / LAGER	6202 2RS	4



## 7.16. Napínání / Spannung / Tensioning



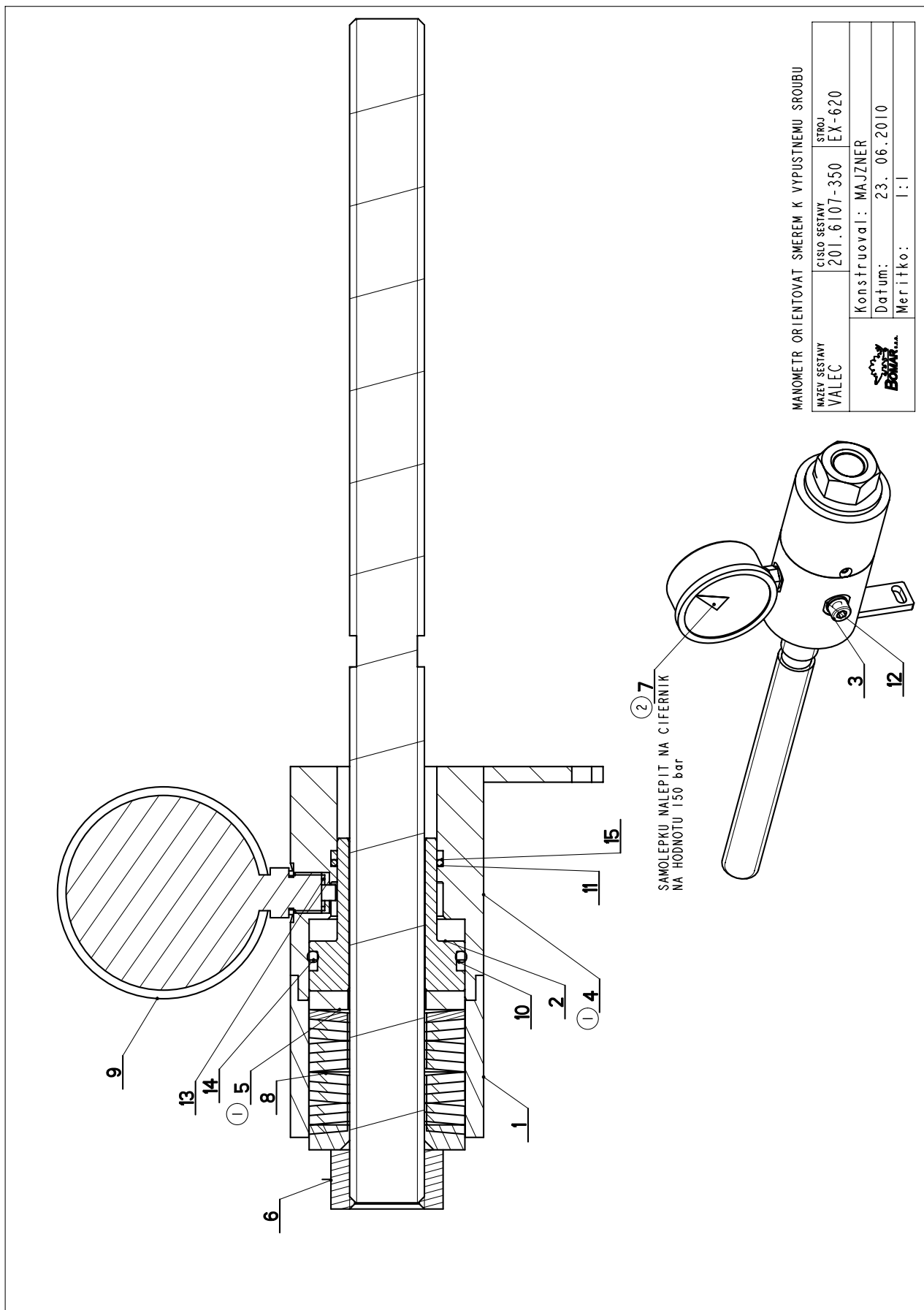
NAZEV SESTAVY NAPÍNÁNÍ	ČÍSLO SESTAVY 201.Y408-000	STROJ IN460DGH
		
Konstruoval: VINOHRADSKÝ		
Datum: 19. 01. 2010		
Meritko: 33:100		

7.17. Kusovník / Stückliste / Piece list –  
Napínání / Spannung / Tensioning

Císlo Sestavy 201.Y408-000		Ver. 0		Název sestavy NAPÍNÁNÍ / TENSIONING / SPANNUNG	
Poz.	Objednávací číslo	Ver.	Název položky	Rozměr	Ks
1	201.6107-350	2	VALEC / ROLLER / ZYLINDER	SESTAVA	1
2	30.1804-010	0	PODLOŽKA / WASHER / UNTERLEGSCHEIBE	d 70	1
3	30.6008-001	0	KOSTKA NAPÍNÁNÍ / TENSIONING CUBE / BANDSPANNUNGSWÜRFEL	HR 160x40	1
4	30.6008-002	0	LISTA VODICÍ / LEAD TRIM / FÜHRUNGSLEISTE	HR 40x40	2
5	30.6008-003	0	LISTA VODICÍ / LEAD TRIM / FÜHRUNGSLEISTE	HR 60x15	2
6	30.6008-004	1	NAPÍNÁNÍ / TENSIONING / SPANNUNG		1
7	30.6008-006	5	KOLO NAPÍNACÍ / TENSIONING WHEEL / UMLEHKRAD		1
8	30.6008-014	1	CEP NAPÍNÁNÍ / TENSIONING LUG / SPANNUNGSBOLZEN	d 25 h6	1
9	30.6708-002	1	KROUZEK DISTANČNÍ / DISTANCE RING / DISTANZRING	TRUBKA 82.5x12.5	1
10	30.7208-006	0	DORAZ / STOP PIECE / ANSCHLAG	TYC 38	1
11	90.001.25.064	0	SROUB IMBUS / ALLEN HEAD BOLT / IMBUSSCHRAUBE	M12X70	6
12	90.011.27.009	0	SROUB ZAPUSTNÝ / COUNTERSINK BOLT / SENKSCHRAUBE	SROUB M12X20	1
13	95.001.041	0	LOŽISKO / BEARING / LAGER	6312A	2



## 7.18. Válec / Zylinder / Roller



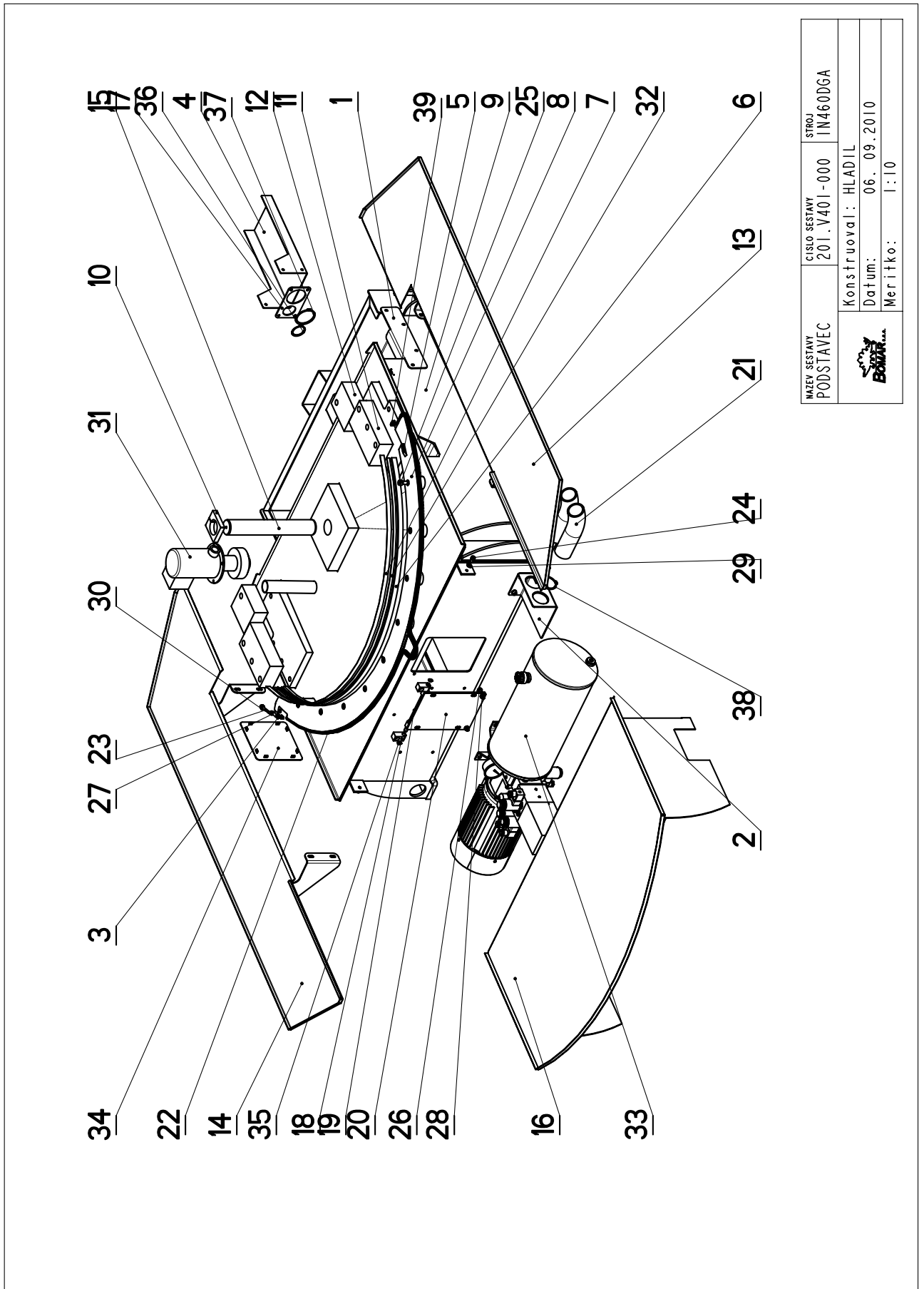
7.19. Kusovník / Stückliste / Piece list –  
Válec / Zylinder / Roller

Cislo Sestavy 201.6107-350		Ver. 2		Nazev sestavy VALEC/ROLLER/ZYLINDER	
Poz.	Objednací číslo	Ver.	Nazev položky	Rozmer	Ks
1	30.6008-013	0	TRUBKA / TUBE / ROHR	TR 62x10	1
2	30.6107-352	0	PIST / PISTON / KOLBEN	d 55	1
3	30.6107-354	1	SROUB / BOLT / SCHRAUBE	M8x20	1
4	30.6107-358 (1)	0	VALEC / ROLLER / ZYLINDER		1
5	30.6107-359 (1)	1	DISTANC / DISTANCE / DISTANZ	d 50	1
6	30.6108-008	1	SROUB / BOLT / SCHRAUBE		1
7	31.0899-004 (2)	0	SAMOLEPKA / STICKER / AUFKLEBER		1
8	90.350.07.004	0	PRUZINA TALIROVA / DISC SPRING / TELLERFEDER	50x25.4x3	12
9	92.080.004	0	MANOMETR / MANOMETER / MANOMETER	d 63 - 250bar	1
10	96.001.033	0	KROUZEK O STATICKY / STATIC O RING / O-RING STATISCH	ORAR00224-N70	1
11	96.002.063	0	KROUZEK O STATICKY / STATIC O RING / O-RING STATISCH	ORAR00125-N70	1
12	96.082.001	0	TESNENI / SEALING / DICHTUNG	KROUZEK CU 10/14	2
13	96.082.005	0	KROUZEK TESNICI / SEAL RING / DICHTUNGSRING	5x8.8x1	1
14	96.083.010	0	KROUZEK / RING / RING	B62700446-PT00	1
15	96.083.011	0	KROUZEK / RING / RING	BU2000320-PT00	1

1. ZRUSENY SOUCASTI 30.6008-355, 30.6008-351, 95.750.003, 30.6008-352, 90100.55.010, NOVA SOUCAST 30.6107-358,  
30.6107-359.29.3.2007 RYSAVY ZM 133

2. PRIDANA SAMOLEPKA SIPKA 31.0899-004. 101/ZM131 29.5.2009 SLEZACKOVA

7.20. Podstavec / Untersatz / Base 1



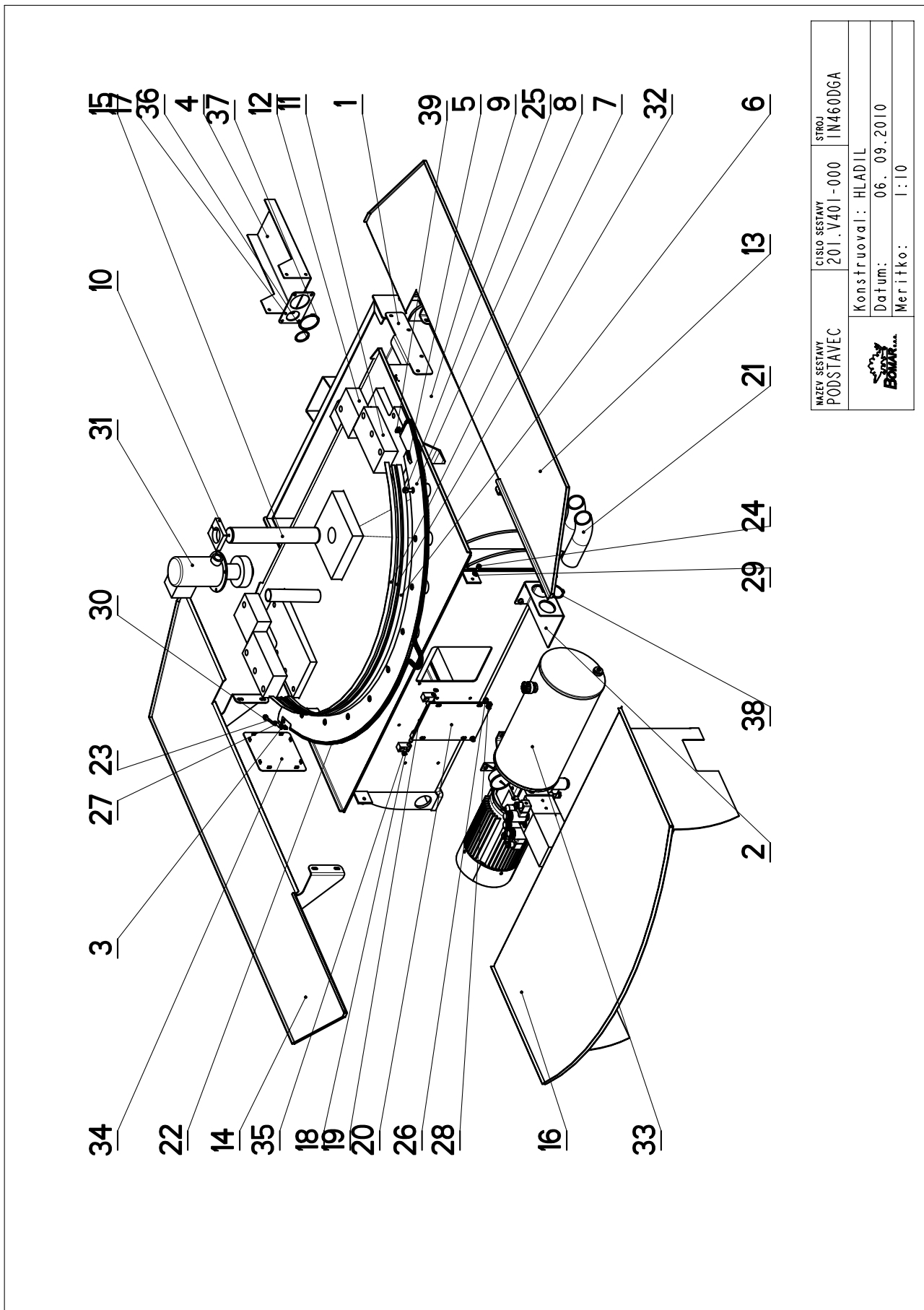
NAZEV SESTAVY PODSTAVEC	CÍSLO SESTAVY 201.V401-000	STROJ IN460DGA
Konstruoval: HLADIL		Datum: 06. 09.2010
Meritko: 1:10		

## 7.21. Kusovník / Stückliste / Piece list – Podstavec / Untersatz / Base 1

Císlo Sestavy 201.V401-000		Název sestavy PODSTAVEC/BASE/UNTERSATZ			
Poz.	Objednávací číslo	Ver.	Název položky	Rozměr	Ks
1	30.D314-130	0	KRYT / COVER / ABDECKUNG	P3-104	1
2	30.N301-010	0	DRŽAK / HOLDER / HALTER	P3 - 234	1
3	30.V301-021	0	KOSTKA NAPÍNAČI / TENSIONING CUBE / BANDSPANNUNGSWÜRFEL	HR 10x10	1
4	30.V301-118	0	KORYTO / CHANNEL / RINNE	P2 x 357	1
5	30.V301-127	0	DORAZ / STOP PIECE / ANSCHLAG	HR 12x5	1
6	30.V301-131	0	LISTA / TRIM / LEISTE	17x6	1
7	30.V301-202	0	PLECH / PLATE / BLECH	P 0,3 - 15	1
8	30.V301-215	0	SEGMENT / SEGMENT / SEGMENT	P 12- 567	1
9	30.Y301-001	9	PODSTAVEC / BASE / UNTERSATZ		1
10	30.Y301-013	0	POUZDRO UPÍNAČI / FIXING SLEEVE / SPANNHÜLSE	HR 70x15	1
11	30.Y401-010	2	PODLOŽKA / WASHER / UNTERLEGSCHIEBE	HR 100x50	2
12	30.Y401-011	0	PODLOŽKA / WASHER / UNTERLEGSCHIEBE	HR 100x50	2
13	30.Y401-016	0	OKAP / GUTTER CHANNEL / BLECH		1
14	30.Y401-017	0	OKAP / GUTTER CHANNEL / BLECH		1
15	30.Y401-103	0	CEP / LUG / BOLZEN	d 50 h6	1
16	30.Y401-105	0	KRYT HYDRAULIKY / HYDRAULIC COVER / HYDRAULIKABDECKUNG		1
17	30.Y502-162	0	UCHYTKA / CLIP / HALTER	P3-80	1
18	30.Y601-111	0	DRŽAK / HOLDER / HALTER	HR 20x20	2
19	30.Y601-112	0	OSA / AXLE / ACHSE	d 10	1
20	30.Y601-113	0	DRŽAK / HOLDER / HALTER		1
21	41.001.006	0	HADICE / HOSE / SCHLAUCH	55/46	2
22	49.200.042	0	RETIZEK / CHAIN / KETTE	081 146c1.	1
23	90.001.25.026	0	SROUB IMBUS / ALLEN HEAD BOLT / IMBUSSCHRAUBE	M6X65	1
24	90.001.25.029	0	SROUB IMBUS / ALLEN HEAD BOLT / IMBUSSCHRAUBE	M8X12	4
25	90.001.25.046	0	SROUB IMBUS / ALLEN HEAD BOLT / IMBUSSCHRAUBE	M10X20	9
26	90.005.55.018	0	SROUB 6HRANNY / 6 SIDED BOLT / SECHSKANTSCHRAUBE	SROUB M8X35	2
27	90.100.55.004	0	MATICE / NUT / MUTTER	MATICE - M6	1
28	90.100.55.005	0	MATICE / NUT / MUTTER	MATICE - M8	4
29	90.150.50.005	0	PODLOŽKA / WASHER / UNTERLEGSCHIEBE	A 8	4
30	90.350.02.001	0	TALIROVA PRUŽINA / DISC SPRING / TELLERFEDER	12,5X6,2X0,5X0,85	10
31	91.020.015	0	CERPADLO / PUMP / PUMPE	3C0A4-12	1
32	91.271.002	0	PASKA MAGNETICKA / MAGNETIC TAPE / MAGNETBAND	ELGO MB20.50	1
33	92.001.063	0	AGREGAT HYDRAULICKY / HYDRAULIC GENERATOR / HYDRAULIKAGREGAT	27672000	1

Císlo Sestavy/Number of assembly/Nummer der Baugruppe; Verze (Ver.)/Version/Version; Název sestavy/Assembly title/Name der Baugruppe; Pozice (Poz.)/Position/Position;  
Objednávací číslo/Purchase order number/Bestellnummer; Název položky/Volume title/Name der Position; Rozměr/Stock size/Abmessung

7.22. Podstavec / Untersatz / Base 2



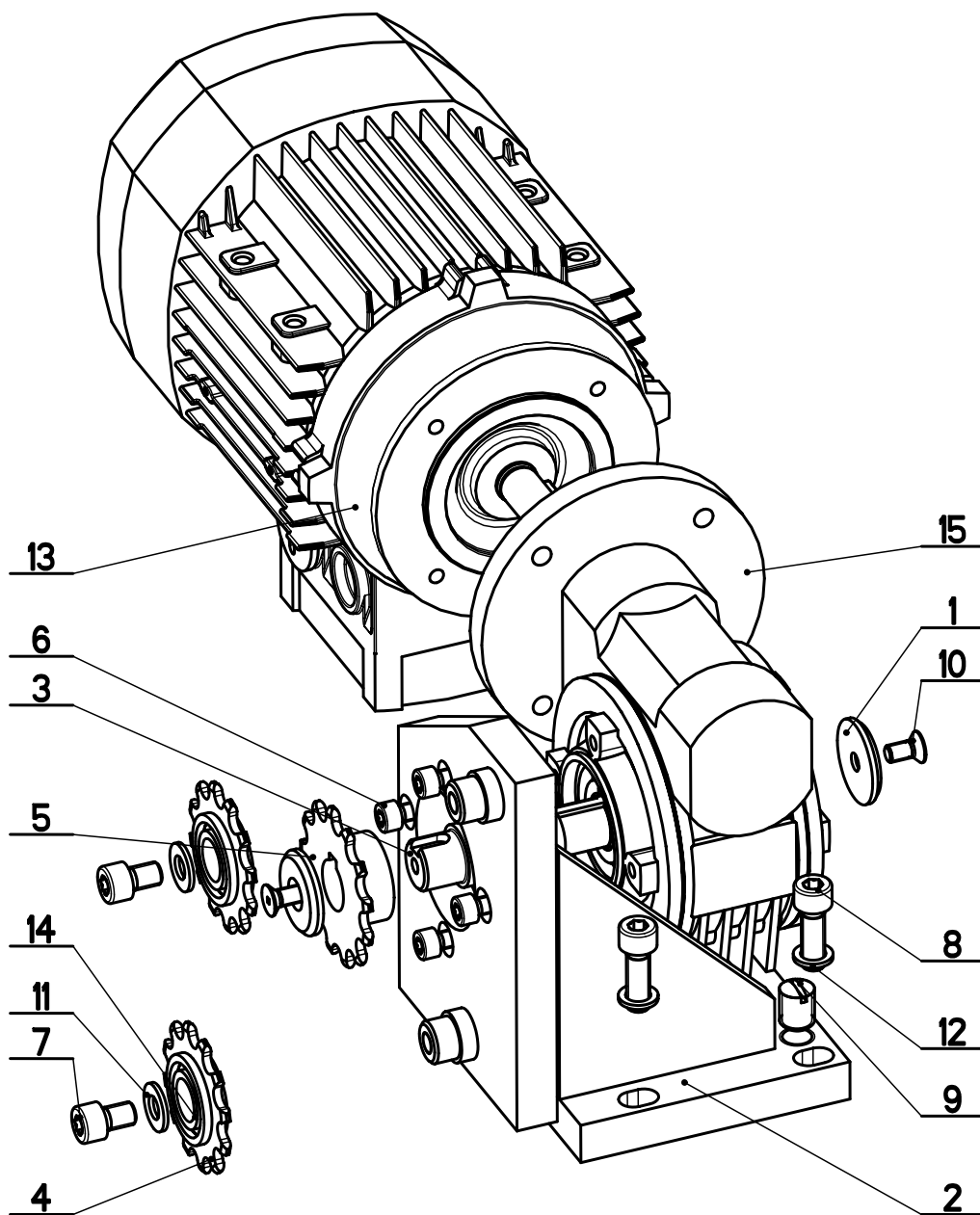
NAZEV SESTAVY PODSTAVEC	CÍSLO SESTAVY 201.V401-000	STROJ IN460DGA
Konstruoval: HLADIL		Datum: 06. 09.2010
Meritko: 1:10		

7.23. Kusovník / Stückliste / Piece list –  
Podstavec / Untersatz / Base 2

34	94.101.039	0	ZASLEPKA / PLUG / BLINDFLANSCH	154x154x4	1
35	95.800.003	0	KROUZEK POJIST.VNEJS / OUTSIDE SAFETY RING / SICHERUNGSRING AUBEN	POJISTNY KROUZEK 10	2
36	95.800.016	0	KROUZEK POJIST.VNEJS / OUTSIDE SAFETY RING / SICHERUNGSRING AUBEN	POJISTNY KROUZEK 42	1
37	95.800.021	0	KROUZEK POJIST.VNEJS / OUTSIDE SAFETY RING / SICHERUNGSRING AUBEN	POJISTNY KROUZEK 62	1
38	95.800.034	0	KROUZEK POJIST.VNEJS / OUTSIDE SAFETY RING / SICHERUNGSRING AUBEN	POJISTNY KROUZEK 55	4
39	99.270.046	0	CLANEK SPOJ.-RETEZ / JOINT CUT ELEMENT / KETTENVERBINDUNGSGLIED	081	2

Cislo Sestavy/Number of assembly/Nummer der Baugruppe; Verze (Ver.)/Version/Version; Nazev sestavy/Assembly title/Name der Baugruppe; Pozice (Poz.)/Position/Position;  
Objednaci cislo/Purchase order number/Bestellnummer; Nazev polozky/Volume title/Name der Position; Rozmer/Stock size/Abmessung

7.24. Pohon / Antrieb / Drive



NAZEV SESTAVY POHON	CISLO SESTAVY 201.V302-180	STROJ 1N360
	Konstruoval: MUSIL	
	Datum: 27. 01.2010	
	Meritko: 1:2	

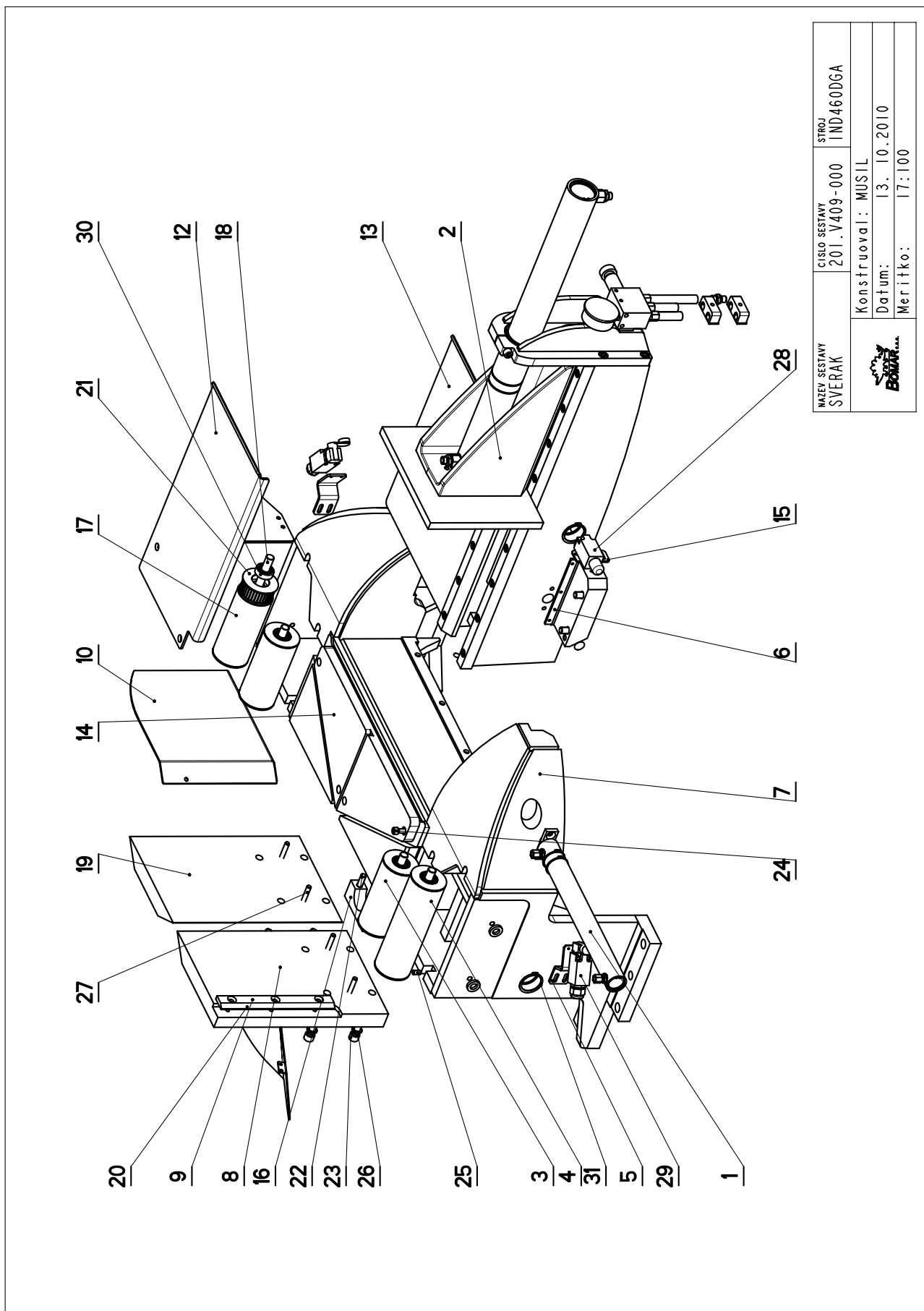
## 7.25. Kusovník / Stückliste / Piece list – Pohon / Antrieb / Drive

Cislo Sestavy 201.V302-180		Ver. 0		Název sestavy POHON/DRIVE /ANTRIEB	
Poz.	Objednací číslo	Ver.	Název položky	Rozměr	Ks
1	30.1514-503	0	PODLOŽKA / WASHER / UNTERLEGSCHLEIBE	d 30	2
2	30.V302-081	0	KONZOLA / CONSOLE / KONSOLE		1
3	30.V302-083	0	HRIDEL / SHAFT / WELLE	d 22	1
4	30.V302-085	0	KOLO RETEZOVE / CHAIN WHEEL / KETTENRAD	081-12z DISK	2
5	30.V302-086	0	KOLO RETEZOVE / CHAIN WHEEL / KETTENRAD	081-13z HROBOJ	1
6	90.001.25.017	0	SROUB IMBUS CERNY / ALLEN HEAD BOLT / IMBUSSCHRAUBE	M6X16	4
7	90.001.25.029	0	SROUB IMBUS / ALLEN HEAD BOLT / IMBUSSCHRAUBE	M8X12	2
8	90.001.25.033	0	SROUB IMBUS CERNY / ALLEN HEAD BOLT / IMBUSSCHRAUBE	8x25	4
9	90.002.20.017	0	SROUB STAVECI / ADJUSTMENT BOLT / STELLSCHRAUBE	SROUB M12X16	2
10	90.011.27.005	0	SROUB ZAPUSTNY / COUNTERSINK BOLT / SENKSCHRAUBE	SROUB M6X12	2
11	90.150.50.005	0	PODLOŽKA / WASHER / UNTERLEGSCHLEIBE	PODLOŽKA 8,4	2
12	90.163.00.002	0	PODLOŽKA / WASHER / UNTERLEGSCHLEIBE	PODLOŽKA 8	4
13	91.001.106	0	ELEKTROMOTOR / ELECTRIC MOTOR / ELEKTROMOTOR	0,37 kW	1
14	95.001.006	0	LOŽISKO / BEARING / LAGER	6002 2RS	2
15	99.001.119	0	PREVODOVKA / TRANSMISSION / GETRIEBE	VF44 P1	1

Cislo Sestavy/Number of assembly/Nummer der Baugruppe; Verze (Ver.)/Version/Version; Název sestavy/Assembly title/Name der Baugruppe; Pozice (Poz.)/Position/Position;  
Objednací číslo/Purchase order number/Bestellnummer; Název položky/Volume title/Name der Position; Rozměr/Stock size/Abmessung



## 7.26. Svěrák / Schraubstock / Vice 1



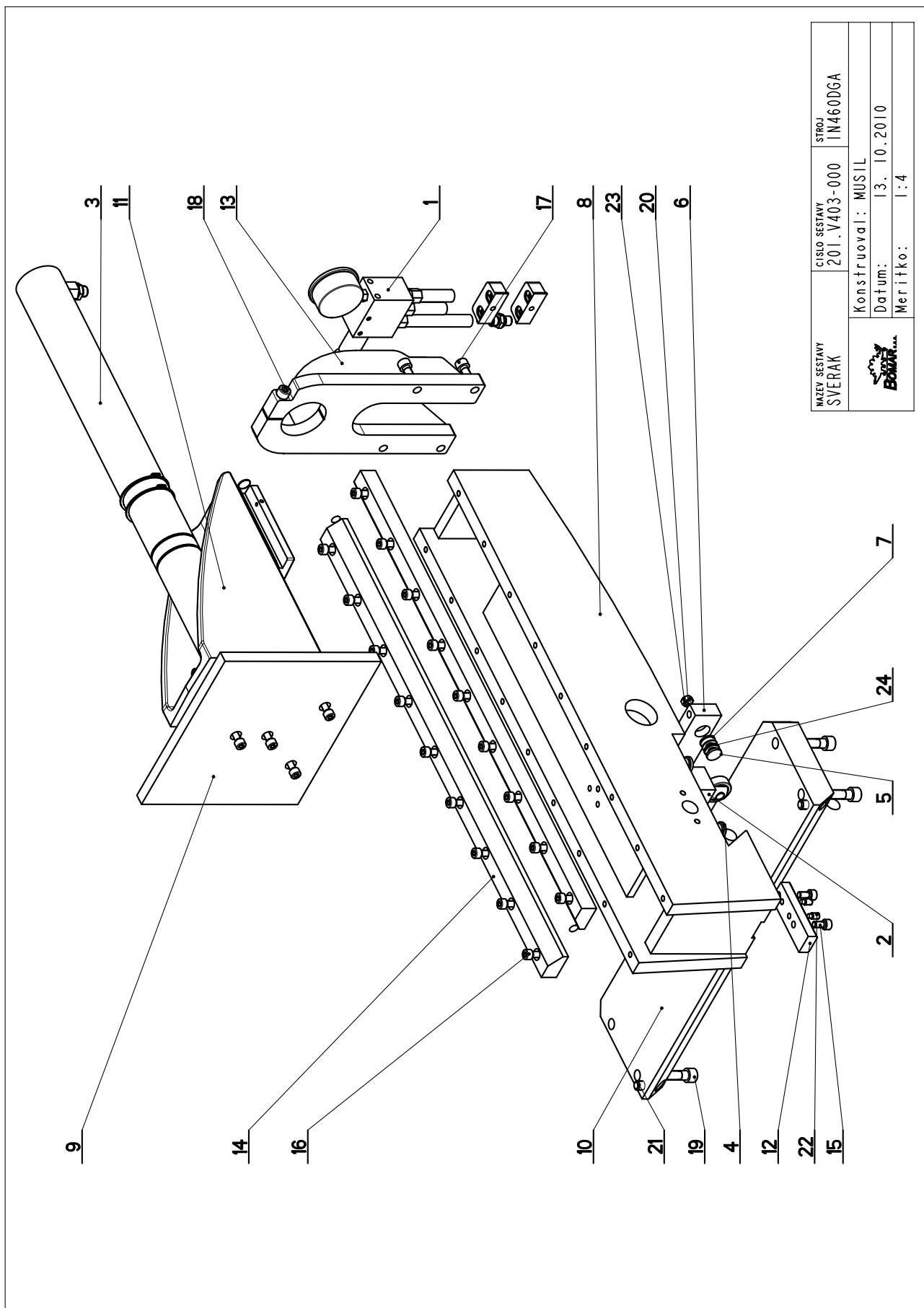
NAZEV SESTAVY SVĚRÁK	ČÍSLO SESTAVY 201.V409-000	STROJ IND460DGA
Konstruoval: MUSIL		Datum: 13. 10.2010
		Meritko: 17:100

7.27. Kusovník / Stückliste / Piece list –  
Svěrák / Schraubstock / Vice 1

Císlo Sestavy 201.V409-000		Ver. 0		Název sestavy SVERAK/VICE/SCHRAUBSTOCK	
Poz.	Objednací číslo	Ver.	Název položky	Rozměr	Ks
1	201.V307-150	0	VALEC POMOCHY / AUXILIARY CYLINDER / HILFSZYLINDER		1
2	201.V403-000	0	SVERAK / VICE / SCHRAUBSTOCK		1
3	201.Y317-010	0	VALECEK / CYLINDER / ROLLE		2
4	201.Y317-020	0	VALECEK / CYLINDER / ROLLE		1
5	30.V309-009	0	DRZAK / HOLDER / HALTER	P4 - 40	2
6	30.V309-011	0	STERAC / WIPER / ABSTREIFER	BA18	2
7	30.V309-101	0	PODSTAVEC SVERAKU / VICE BASE / SCHRAUBSTOCKUNTERSATZ		1
8	30.V409-002	0	CELIST PEVNA / SOLID JAW / FESTE BACKE	P35x234	1
9	30.V409-013	0	LISTA CELISTI / JAW TRIM / BACKENLEISTE	HR 30x10	1
10	30.V409-015	0	KORYTO / CHANNEL / RINNE	P3-259	1
11	30.V409-017	0	DISTANC / DISTANCE / DISTANZ	TR 25x5.5	4
12	30.V409-021	0	KRYT SVERAKU / VICE COVER / SCHRAUBSTOCKABDECKUNG		1
13	30.V409-022	0	PLECH / PLATE / BLECH	P4 - 352	1
14	30.Y309-004	0	DESKA / BOARD / PLATTE	ODLITEK	1
15	30.Y309-006	0	DRZAK / HOLDER / HALTER	P3x30	2
16	30.Y309-008	0	PRILOZKA / STRAP / LASCHE	HR 40x25	1
17	30.Y317-011	0	TRUBKA / TUBE / ROHR	Tr 70x3	1
18	30.Y317-022	0	CEP / LUG / BOLZEN	d 15	1
19	30.Y409-002	0	CELIST PEVNA / SOLID JAW / FESTE BACKE	P35x242	1
20	30.Y414-002	1	SKLUZ / SLIDE / RUTSCH	P2-218	1
21	31.1313-502	0	VIKO / COVER / DECKEL	d 60	2
22	90.001.25.053	0	SROUB IMBUS / ALLEN HEAD BOLT / IMBUSSCHRAUBE	M10x55	2
23	90.001.25.058	0	SROUB IMBUS / ALLEN HEAD BOLT / IMBUSSCHRAUBE	M12x30	8
24	90.001.25.105	0	SROUB IMBUS / ALLEN HEAD BOLT / IMBUSSCHRAUBE	M8x18	4
25	90.002.20.012	0	SROUB STAVECI / ADJUSTMENT BOLT / STELLSCHRAUBE	SROUB M8x16	8
26	90.163.00.003	0	PODLOZKA / WASHER / UNTERLEGSCHIEBE	NORD-LOCK	8
27	90.300.02.011	0	KOLIK VALCOVY KALENY / CYLINDRICAL PIN TEMPERED / ZYLINDERSTIFT GEHÄRTET	KOLIK 8X40	4
28	91.173.007	0	SPINAC KONCOVY / END SWITCH / ENDSCHALTER		2
29	91.173.017	0	SPINAC KONC.S KLADK. / END SWITCH WITH PULLEY / ENDSCHALTER MIT ROLLE	FR 630	2
30	95.001.015	0	LOZISKO / BEARING / LAGER	6202 2RS	2
31	95.800.016	0	KROUZEK POJIST.VNEJS / OUTSIDE SAFETY RING / SICHERUNGSRING AUBEN	POJISTINY KROUZEK 42	4

Císlo Sestavy/Number of assembly/Nummer der Baugruppe; Verze (Ver.)/Version/Version; Název sestavy/Assembly title/Name der Baugruppe; Pozice (Poz.)/Position/Position;  
Objednací číslo/Purchase order number/Bestellnummer; Název položky/Volume title/Name der Position; Rozměr/Stock size/Abmessung

### 7.28. Svěrák / Schraubstock / Vice 2



NAZEV SESTAVY <b>SVERAK</b>	CÍSLO SESTAVY 201.V403-000	STROJ	IN460DGA
		Konstruoval: MUSIL	
		Datum:	13. 10.2010
		Meritko:	1:4

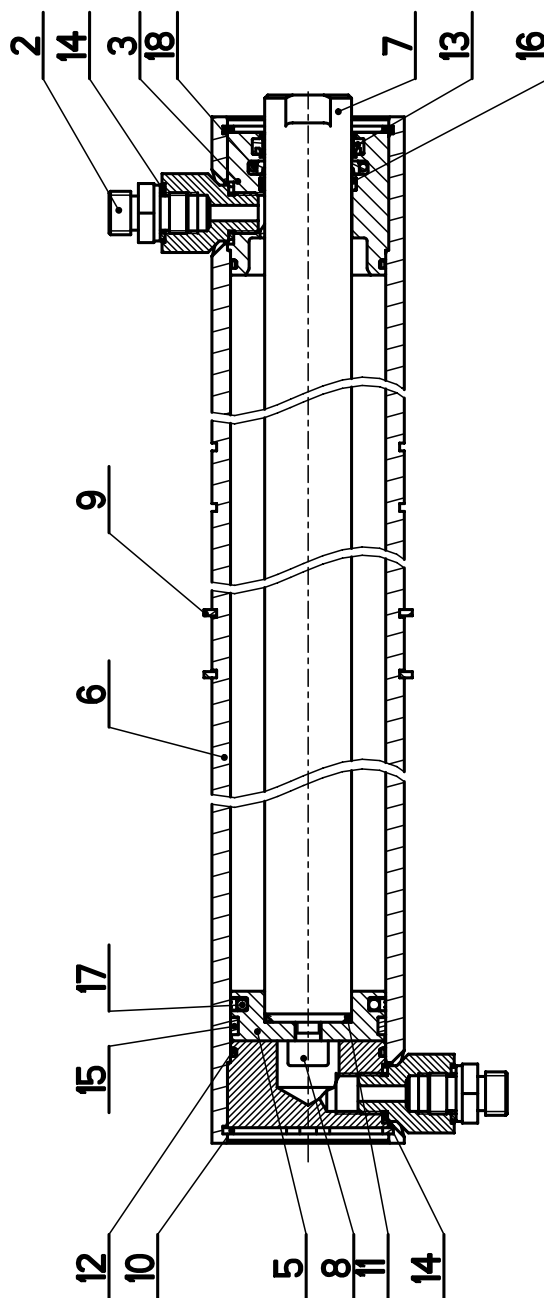
7.29. Kusovník / Stückliste / Piece list –  
Svěrák / Schraubstock / Vice 2

Císlo Sestavy 201.V403-000		Ver. 0		Název sestavy SVERAK/VICE/SCHRAUBSTOCK	
Poz.	Objednací číslo	Ver.	Název položky	Rozměr	Ks
1	201.2115-200	1	REGULACE TL. SVERAKU / VICE PRESSURE REGULATION / SCHRAUBSTOCK-DRUCKREGELUNG		1
2	201.Y403-010	0	KLADKA / PULLEY / ROLLE		1
3	201.Y407-030	0	VALEC SVERAKU / VICE CYLINDER / SCHRAUBSTOCKZYLINDER		1
4	30.0509-608	0	LISTA TRECI / FRICTION TRIM / FRIKTIONSLEISTE	d20	4
5	30.0803-005	0	DESKA / BOARD / PLATTE		2
6	30.Y303-006	0	LISTA SVERAKU / VICE TRIM / SCHRAUBSTOCKLEISTE	HR 40x20	1
7	30.Y303-010	0	PODLOZKA / WASHER / UNTERLEGSCHIBE	d 20	2
8	30.V403-003	0	TELESO SVERAKU / VICE BODY / SCHRAUBSTOCKKÖRPER		1
9	30.V403-007	0	CELIST / JAW / BACKE	P16 - 239	1
10	30.Y303-001	0	VEDENI / GUIDE / BACKENFÜHRUNG	HR 160x40	1
11	30.Y303-005	2	CELIST / JAW / BACKE		1
12	30.Y303-010	0	PRILOZKA / STRAP / LASCHE		1
13	30.Y303-104	1	DRZAK / HOLDER / HALTER	HR 30x15	1
14	30.Y403-002	0	LISTA SVERAKU / VICE TRIM / SCHRAUBSTOCKLEISTE	HR 40x25	2
15	90.001.25.031	0	SROUB IMBUS CERNENY / ALLEN HEAD BOLT / IMBUSSCHRAUBE	8x16	2
16	90.001.25.032	0	SROUB IMBUS CERNENY / ALLEN HEAD BOLT / IMBUSSCHRAUBE	8x20	22
17	90.001.25.047	0	SROUB IMBUS / ALLEN HEAD BOLT / IMBUSSCHRAUBE	M10X25	4
18	90.001.25.054	0	SROUB IMBUS / ALLEN HEAD BOLT / IMBUSSCHRAUBE	M10X60	1
19	90.001.25.060	0	SROUB IMBUS / ALLEN HEAD BOLT / IMBUSSCHRAUBE	M12X40	4
20	90.002.2D.013	0	SROUB STAVECI / ADJUSTMENT BOLT / STELLSCHRAUBE	SROUB M8X25	2
21	90.002.2D.018	0	SROUB STAVECI / ADJUSTMENT BOLT / STELLSCHRAUBE	SROUB M12X20	2
22	90.004.2D.008	0	SROUB STAVECI / ADJUSTMENT BOLT / STELLSCHRAUBE	SROUB M8X16	2
23	90.100.55.005	0	MATICE / NUT / MÜTTER	MATICE _ M8	2
24	90.350.07.005	0	PRUZINA TALIROVA / DISC SPRING / TELLERFEDER	20X10.2X1	6

Císlo Sestavy/Number of assembly/Nummer der Baugruppe; Verze (Ver.)/Version/Version; Název sestavy/Assembly title/Name der Baugruppe; Pozice (Poz.)/Position/Position;  
Objednací číslo/Purchase order number/Bestellnummer; Název položky/Volume title/Name der Position; Rozměr/Stock size/Abmessung

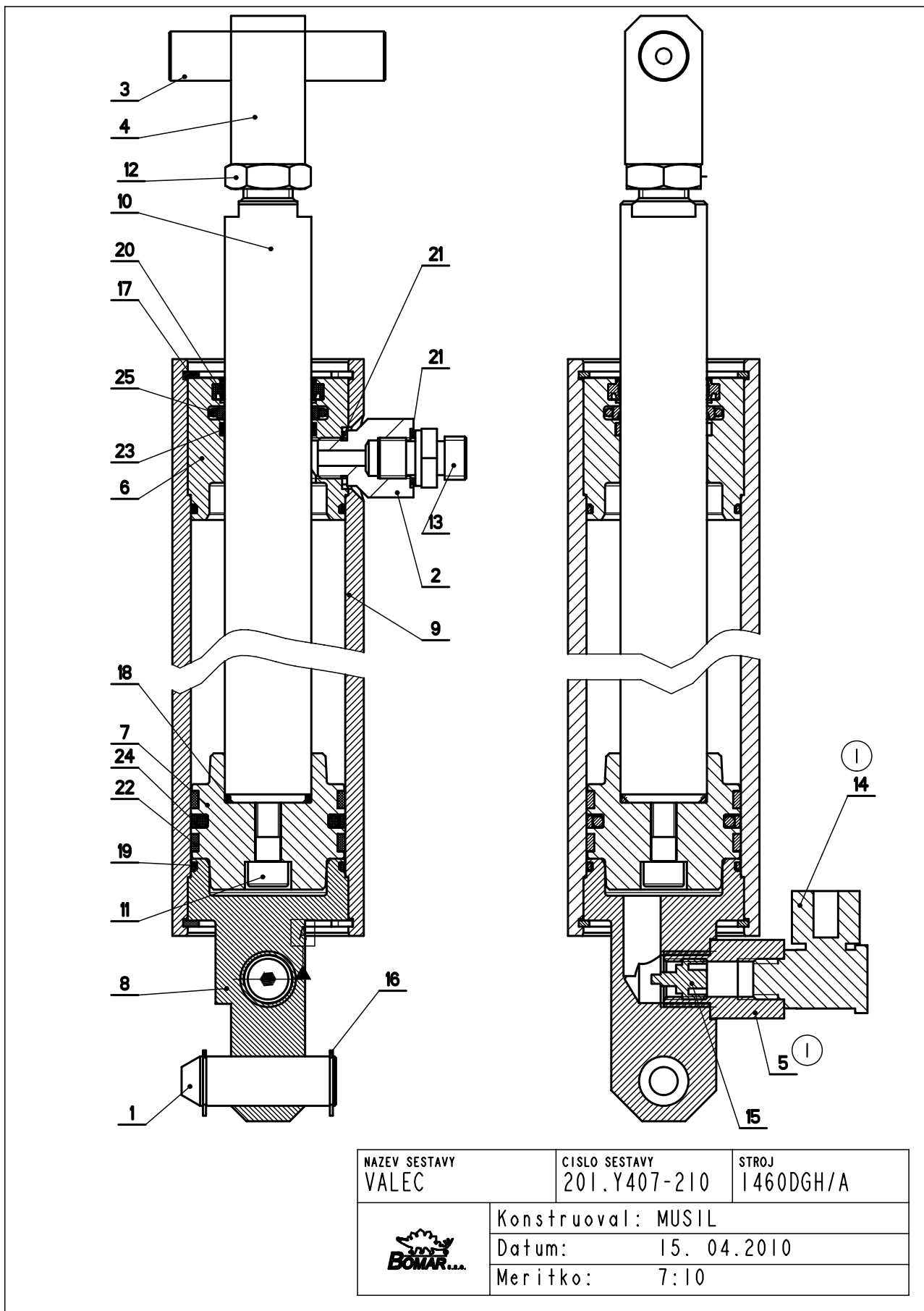
### 7.30. Válec svěráku / Schraubstockzylinder / Vice cylinder


Císlo Sestavy 201.Y407-030		Název sestavy VALEC SVĚRÁKU/VICE CYLINDER/SCHRAUBSTOCKZYLINDER			
Poz.	Objednací číslo	Ver.	Název položky	Rozměr	Ks
1	30.1807-005	3	SROUBENÍ / BOLTING / VERSCHRAUBUNG	6-HR 22	2
2	30.2807-109	0	SROUBENÍ PRÍME / DIRECT BOLTING / GERADE VERSCHRAUBUNG		2
3	30.C407-012	1	VÍKO / COVER / DECKEL	d 55	1
4	30.C407-111	0	VÍKO / COVER / DECKEL	d 55	1
5	30.Y307-035	0	PIST / PISTON / KOLBEN	d 55	1
6	30.Y407-033	1	VALEC / ROLLER / ZYLINDER	TR 62/50H8	1
7	30.Y407-034	0	PISTNICE / PISTON ROD / KOLBENSTANGE	d 28 f8	1
8	90.001.25.032	0	SROUB IMBUS ČERNÝ / ALLEN HEAD BOLT / IMBUSSCHRAUBE	8x20	1
9	95.800.021	0	KROUZEK POJIST.VNEJŠI / OUTSIDE SAFETY RING / SICHERUNGSRING AUßEN	POJISTNY KROUZEK 62	2
10	95.801.009	0	KROUZEK POJIST.VNITR / INSIDE SAFETY RING / SICHERUNGSRING INNEN	POJISTNY KROUZEK 52	2
11	96.002.011	0	KROUZEK O DYNAMICKY / DYNAMIC O RING / O-RING DYNAMISCH	24X2	1
12	96.002.019	0	KROUZEK O DYNAMICKY / DYNAMIC O RING / O-RING DYNAMISCH	46X2	2
13	96.061.009	0	KROUZEK STÍRAČI / SCRAPER RING / ABSTREIFRING	WD2200280	1
14	96.082.002	0	TESNĚNÍ / SEALING / DICHTUNG	KROUZEK CU 13/17	4
15	96.084.001	0	KROUZEK VODICI / LEAD RING / FÜHRUNGSRING	GF6500500-T47	1
16	96.084.006	0	KROUZEK VODICI / LEAD RING / FÜHRUNGSRING	GR4300280-T47	1
17	96.900.001	0	TESNĚNÍ KOMBINOVANÉ / COMBINATION SEALING / KOMBIDICHTUNG		1
18	96.900.021	0	TESNĚNÍ KOMBINOVANÉ / COMBINATION SEALING / KOMBIDICHTUNG	RSK200280	1





### 7.31. Válec zvedací / Hebezyylinder / Lifting cylinder



NAZEV SESTAVY VALEC	CISLO SESTAVY 201.Y407-210	STROJ 1460DGH/A
	Konstruoval: MUSIL	
	Datum: 15. 04. 2010	
	Meritko: 7:10	

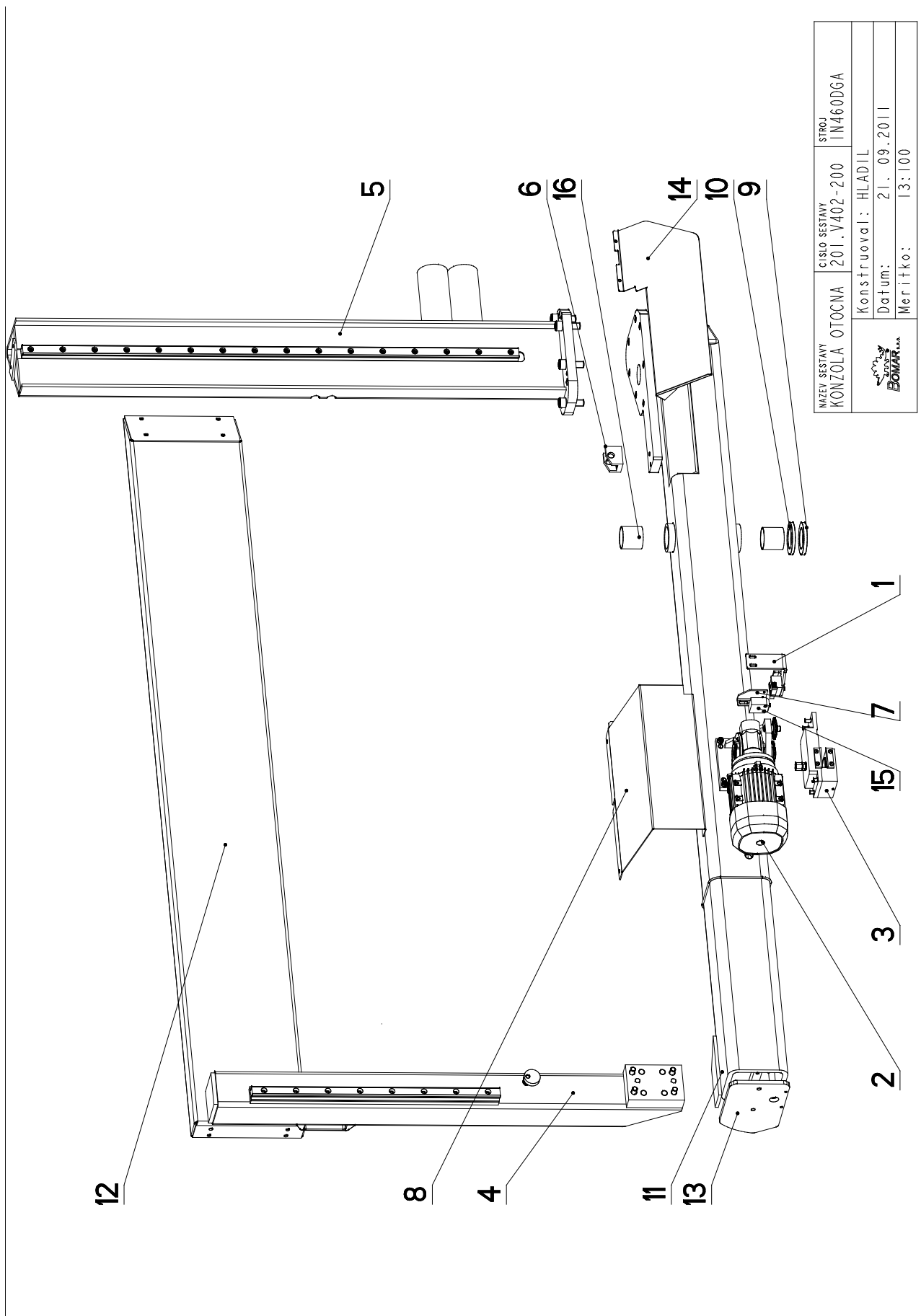
7.32. Kusovník / Stückliste / Piece list –  
Válec zvedací / Hebezyylinder / Lifting cylinder


Císlo Sestavy 201.Y407-210		Název sestavy VALEC/ROLLER/ZYLINDER			
Poz.	Objednávací číslo	Ver.	Název položky	Rozměr	Ks
1	30.0807-009	1	CEP / LUG / BOLZEN	d 16h9	1
2	30.1807-005	3	SROUBENI / BOLTING / VERSCHRAUBUNG	6-HR 22	1
3	30.8307-205	0	CEP / LUG / BOLZEN	d 16h9	1
4	30.8607-001	0	DRZAK / HOLDER / HALTER	HR 25x25	1
5	30.9107-509 (1)	0	SROUBENI / BOLTING / VERSCHRAUBUNG	6HR 22	1
6	30.C407-012	1	VIKO / COVER / DECKEL	d 55	1
7	30.LM07-504	0	PIST / PISTON / KOLBEN	d 55	1
8	30.Y307-005	3	VIKO / COVER / DECKEL	d 55	1
9	30.Y407-011	0	VALEC / ROLLER / ZYLINDER	TR 62/50H8	1
10	30.Y407-202	0	PISTNICE / PISTON ROD / KOLBENSTANGE	d 28 f8	1
11	90.001.25.034	0	SROUB IMBUS / ALLEN HEAD BOLT / IMBUSSCHRAUBE	M8X30	1
12	90.101.55.003	0	MATICE / NUT / MUTTER	MATICE M16	1
13	92.002.001	0	SROUBENI PRIME / DIRECT BOLTING / GERADE VERSCHRAUBUNG	GES 08LR	1
14	92.003.001 (1)	0	SROUBENI UHLOVE / ANGLE BOLTING / WINKELVERSCHRAUBUNG	P-RSWS-08LR	1
15	92.151.001	0	VENTIL POJISTNY / SAFETY VALVE / SICHERUNGSVENTIL	VPN-H 1/4"	1
16	95.800.007	0	KROUZEK POJIST.VNEJS / OUTSIDE SAFETY RING / SICHERUNGSRING AUBEN	POJISTNY KROUZEK 16	2
17	95.801.009	0	KROUZEK POJIST.VNITR / INSIDE SAFETY RING / SICHERUNGSRING INNEN	POJISTNY KROUZEK 52	2
18	96.002.011	0	KROUZEK O DYNAMICKY / DYNAMIC O RING / O-RING DYNAMISCH	24X2	1
19	96.002.019	0	KROUZEK O DYNAMICKY / DYNAMIC O RING / O-RING DYNAMISCH	46X2	2
20	96.061.009	0	KROUZEK STIRACI / SCRAPER RING / ABSTREIFRING	WD2200280	1
21	96.082.002	0	TESNENI / SEALING / DICHTUNG	KROUZEK CU 13/17	2
22	96.084.001	0	KROUZEK VODICI / LEAD RING / FÜHRUNGSRING	GP6500500-T47	2
23	96.084.006	0	KROUZEK VODICI / LEAD RING / FÜHRUNGSRING	GR4300280-T47	1
24	96.900.001	0	TESNENI KOMBINOVA NE / COMBINATION SEALING / KOMBIDICHTUNG		1
25	96.900.021	0	TESNENI KOMBINOVA NE / COMBINATION SEALING / KOMBIDICHTUNG	RSK200280	1

1.ZRUS.SROUBENI 92.002.005 A NAHR.92.003.001,ZRUS.SROUBENI 30.6107-510 A NAHR.30.9107-509,ZRUS.1xTESNENI 96.082.002 (ZUSTAVAJI 2ks).071/ZM063 15.4.2010 SLEZACKOVA



### 7.33. Konzola otočná / Drehkonsole / Turnable consol



NAZEV SESTAVY KONZOLA OTOCNA	CISLO SESTAVY 201.V402-200	STROJ TN460DGA
KONSTRUOVAN 21. 09. 2011		Konstruoval: HLADIL
Datum: 21. 09. 2011		Meritko: 13:100
		

### 7.34. Kusovník / Stückliste / Piece list – Konzola otočná / Drehkonsole / Turnable consol

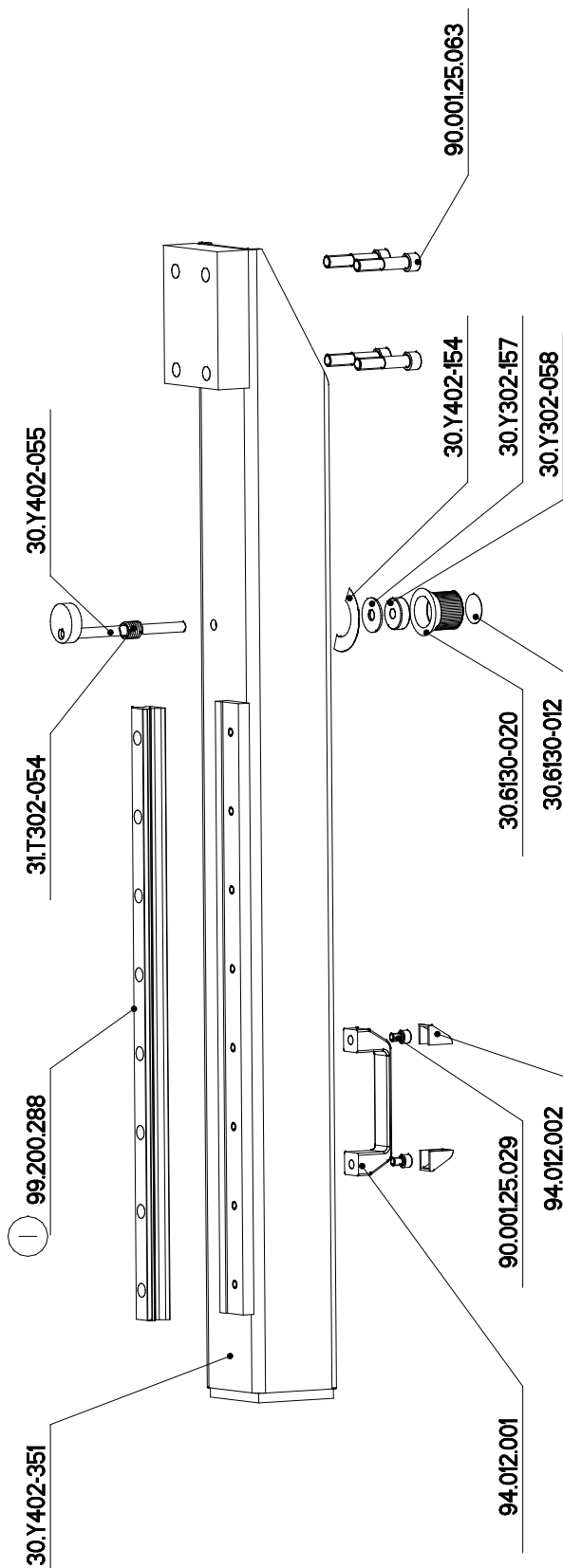
Císlo Sestavy 201.V402-200		Ver. 0		Název sestavy KONZOLA OTOČNA/TURNABLE CONSOL/DREHKONSOLE	
Poz.	Objednací číslo	Ver.	Název položky	Rozměr	Ks
1	201.V302-130	0	SNIMAC MAGNET. / MAGNETIC SENSOR / MAGNETSENSOR		1
2	201.V302-180	0	POHON / DRIVE / ANTRIEB		1
3	201.V307-250	0	BRZDA / BRAKE / BREMSE		1
4	201.Y402-350	0	SLOUP / POLE / SAULE	SESTAVA	1
5	201.Y402-360	1	SLOUP / POLE / SAULE	SESTAVA	1
6	30.0807-008	2	DRŽAK / HOLDER / HALTER	HR 40x40	1
7	30.V302-021	0	DRŽAK / HOLDER / HALTER	P3x59	1
8	30.V302-311	0	KRYT MOTORU / MOTOR COVER / MOTORABDECKUNG		1
9	30.Y302-006	0	PODLOŽKA / WASHER / UNTERLEGSCHLEIBE	ø 80	1
10	30.Y302-007	0	PODLOŽKA / WASHER / UNTERLEGSCHLEIBE	ø 85	1
11	30.Y402-201	0	KONZOLA OTOČNA / TURNABLE CONSOL / DREHKONSOLE	SVARENO	1
12	30.Y402-202	0	VZPERA / PROP / STREBE	P4x439	1
13	30.Y402-303	0	VÍKO / COVER / DECKEL	P10x150	1
14	30.Y414-401	0	OKAP / GUTTER CHANNEL / BLECH	P1x264	1
15	91.173.016	0	SPINAC KONCOVÝ / END SWITCH / ENDSCHALTER	KONČAK	1
16	95.720.002	0	POUZDRO / SLEEVE / BÜCHSE	50x50x55	2

Císlo Sestavy/Number of assembly/Nummer der Baugruppe; Verze (Ver.)/Version/Version; Název sestavy/Assembly title/Name der Baugruppe; Pozice (Poz.)/Position/Position;  
Objednací číslo/Purchase order number/Bestellnummer; Název položky/Volume title/Name der Position; Rozměr/Stock size/Abmessung

## 7.35. Sloup / Saule / Pole 1

Císlo Sestavy 201.Y402-350		Název sestavy SLOUP/POLE / SÄULE	
Ver.	1	Ver.	1
Poz.	Objednací číslo	Název položky	Ks
1	30.6130-012	VÍKO / COVER / DECKEL	P 0.5x 30x30
2	30.6130-020	OVLADANI / CONTROLS / STEUERUNG	VYLISEK
3	30.Y302-058	VLOZKA / INSERT / EINLAGE	d 32
4	30.Y302-157	GUMA / RUBBER / GUMMI	TL. 2-35
5	30.Y402-055	OSA / AXLE / ACHSE	SVARENO
6	30.Y402-154	STUPNICE / SCALE / SKALA	P0.5-70
7	30.Y402-351	SLOUP / POLE / SÄULE	SVARENO
8	31.T302-054	PRUZINA / SPRING / FEDER	d 2.24
9	90.001.25.029	SROUB IMBUS / ALLEN HEAD BOLT / IMBUSSCHRAUBE	M8X12
10	90.001.25.063	SROUB IMBUS / ALLEN HEAD BOLT / IMBUSSCHRAUBE	M12X60
11	94.012.001	RUKOJET / HANDLE / GRIFF	
12	94.012.002	ZATKA / PLUG / STOPFEN	
13	99.200.288	VEDENÍ LINEARNÍ / LINEAR GUIDE / LINEARE FUHRUNG	MSA 30R 620 30/30N

I. ZRUS. LIN. VEDENÍ 99.200.124 A NAHR. 99.200.288 . 056/ZMI05 22.3.2012 SLEZACKOVA



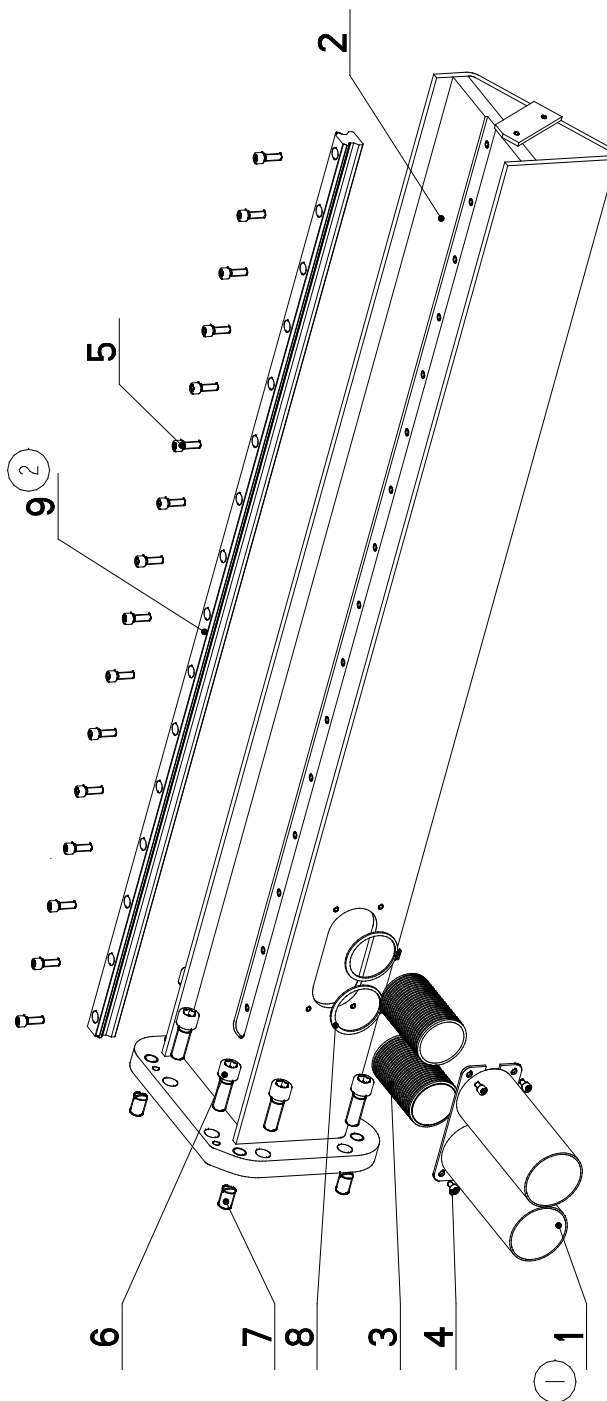
Císlo Sestavy/Number of assembly/Nummer der Baugruppe; Verze (Ver.)/Version/Versio; Název sestavy/Assembly title/Name der Baugruppe; Pozice (Poz.)/Position/Position;  
Objednací číslo/Purchase order number/Bestellnummer; Název položky/Volume title/Name der Position; Rozměr/Stock size/Abmessung

## 7.36. Sloup / Saule / Pole 2

Císlo Sestavy 201.Y402-360		Název sestavy SLOUP/POLE / SAULE			
Poz.	Objednací číslo	Ver.	Název položky	Rozměr	Ks
1	30.V302-125 (1)	0	DRŽAK / HOLDER / HALTER		1
2	30.Y402-361	0	SLOUP / POLE / SAULE	SVARENO	1
3	41.001.006	0	HADICE / HOSE / SCHLAUCH	PG48	2
4	90.001.25.015	0	SROUB IMBUS / ALLEN HEAD BOLT / IMBUSSCHRAUBE	M6X10	4
5	90.001.25.033	0	SROUB IMBUS / ALLEN HEAD BOLT / IMBUSSCHRAUBE	8x25	16
6	90.001.25.074	0	SROUB IMBUS / ALLEN HEAD BOLT / IMBUSSCHRAUBE	M16X45	7
7	90.002.20.028	0	SROUB STAVECI / ADJUSTMENT BOLT / STELLSCHRAUBE	SROUB M16x1,5x25	4
8	95.800.021	0	SEGR HRÍDEL. / OUTSIDE SAFETY RING / SICHERUNGSRING AUßEN	POJISTNY KROUZEK 62	2
9	99.200.291 (2)	0	VEDENÍ LINEARNÍ / LINEAR GUIDE / LINEARE FUHRUNG	MSA 30R 1240 20/20N	1

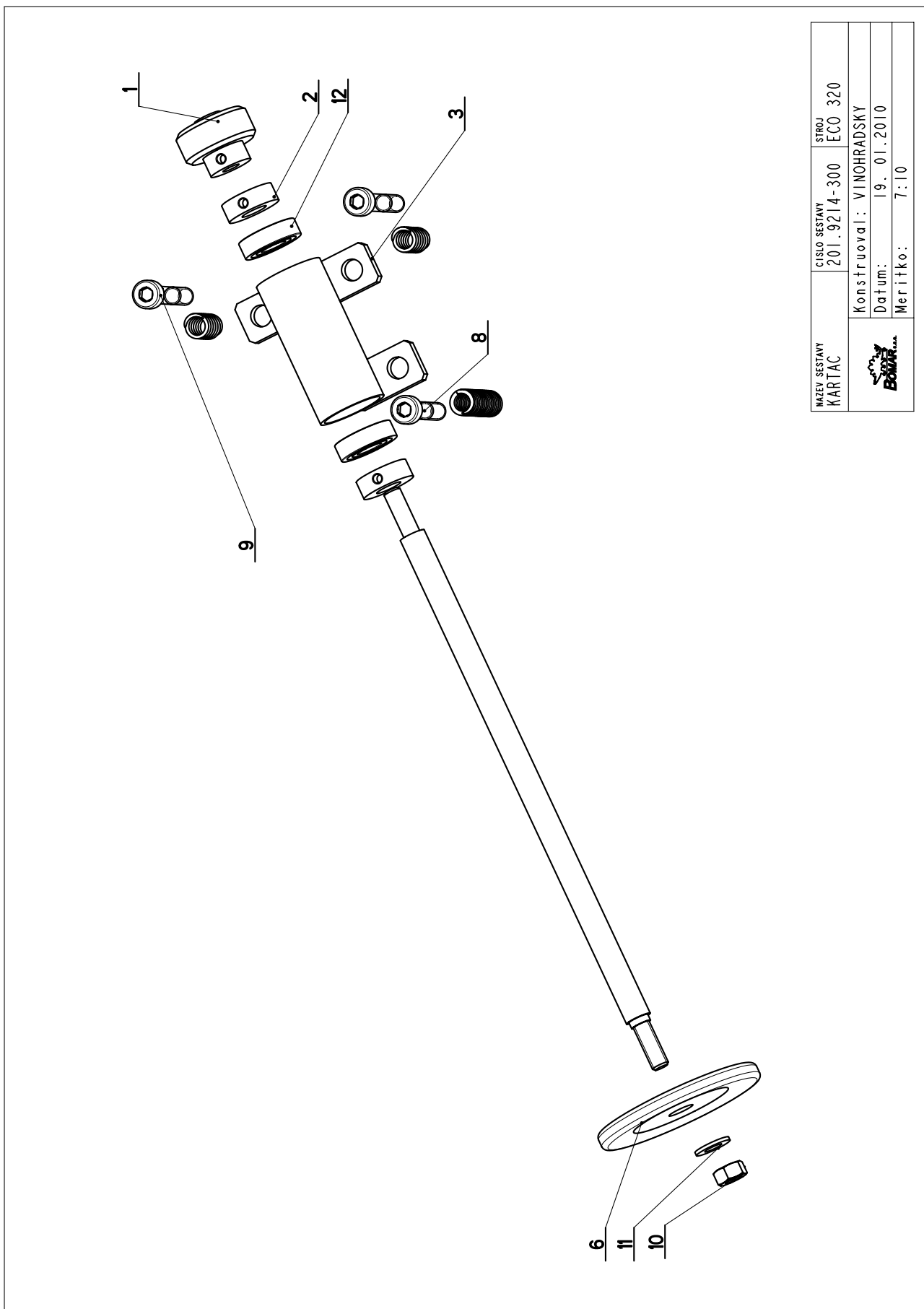
1. ZRUS.DRŽAK 30.Y502-163 A NAHR.30.V302-125. 287/ZM322 9.12.2011 SLEZACKOVA


2. ZRUS.LIN.VEDENÍ 99.200.140 A NAHR.99.200.291(PMI). 056/ZM105 4.4.2012 SLEZACKOVA



Císlo Sestavy/Number of assembly/Nummer der Baugruppe; Verze (Ver.)/Version/Versio; Název sestavy/Assembly title/Name der Baugruppe; Pozice (Poz.)/Position/Position;  
Objednací číslo/Purchase order number/Bestellnummer; Název položky/Volume title/Name der Position; Rozměr/Stock size/Abmessung

### 7.37. Kartáč / Bürste / Brush

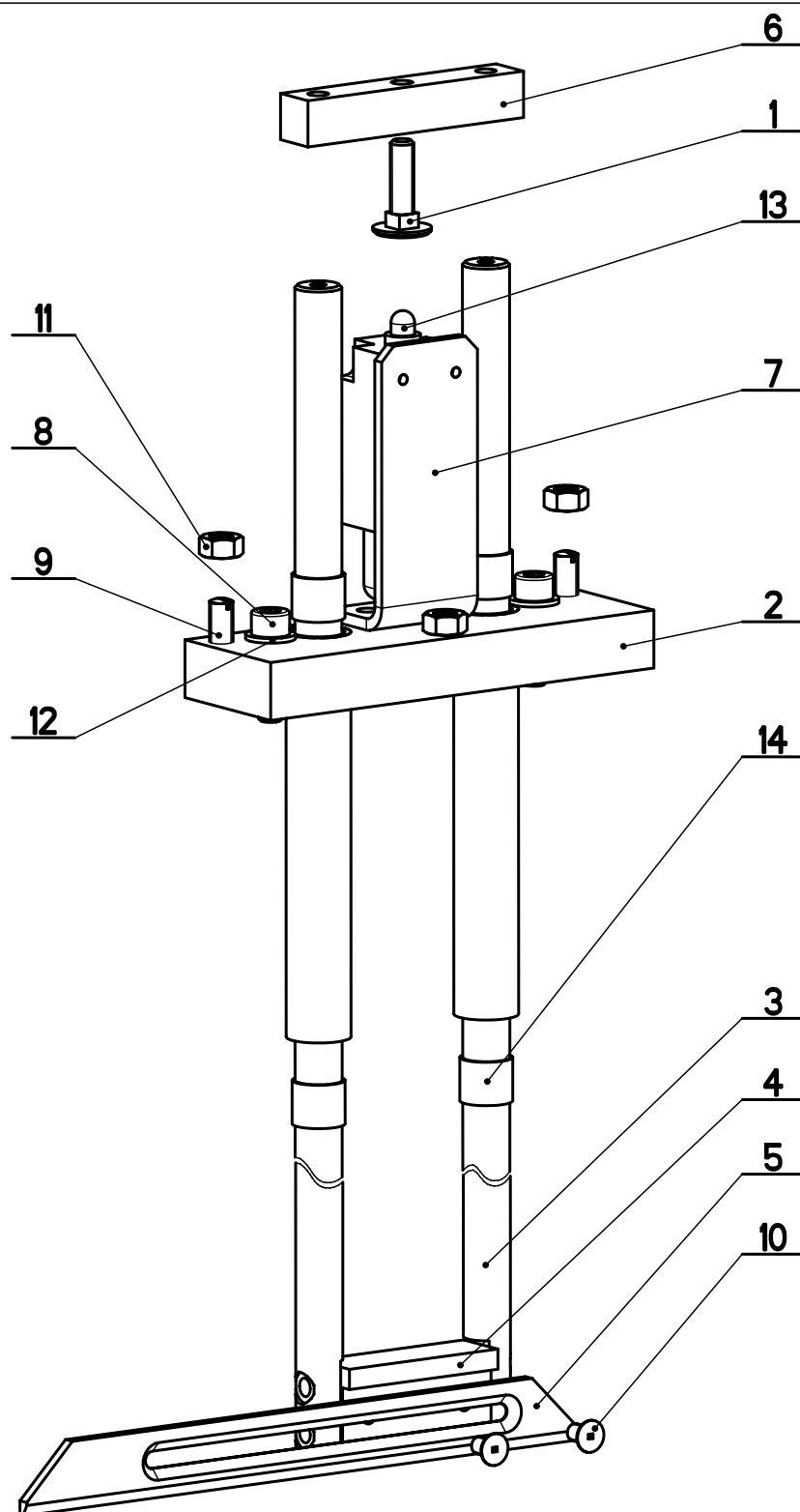



NAZEV SESTAVY KARTAC	CISLO SESTAVY 201.9214-300	STROJ ECO 320
		Konstruoval: VINOHRADSKY
		Datum: 19. 01.2010
		Meritko: 7:10

7.38. Kusovník / Stückliste / Piece list –  
Kartáč / Bürste / Brush

Císlo Sestavy 201.9214-300		Ver. 0		Název sestavy KARTAC/BRUSH/BÜRSTE	
Poz.	Objednáací číslo	Ver.	Název položky	Rozměr	Ks
1	30.0814-204	0	KOLEČKO / WHEEL / ROLLE	SESTAVA	1
2	30.0814-207	0	KROUZEK / RING / RING	d 25	2
3	30.9214-301	1	DRZAK / HOLDER / HALTER		1
4	30.9214-302	1	HRIDEL / SHAFT / WELLE	D 12	1
5	31.0305-211	0	PRUŽINA / SPRING / FEDER	2x12x50x15,5	1
6	31.0814-208	0	KARTAC / BRUSH / BÜRSTE		1
7	31.1506-115	0	PRUŽINA / SPRING / FEDER	1.6x12x25x7.5	2
8	90.001.25.038	0	SROUB IMBUS / ALLEN HEAD BOLT / IMBUSSCHRAUBE	M8X50	1
9	90.001.25.040	0	SROUB IMBUS / ALLEN HEAD BOLT / IMBUSSCHRAUBE	M8X60	2
10	90.100.55.005	0	MATICE / NUT / MUTTER	MATICE – M8	1
11	90.150.50.005	0	PODLOŽKA / WASHER / UNTERLEGSCHLEIBE	PODLOŽKA 8,4	1
12	95.001.005	0	LOŽISKO / BEARING / LAGER	6001 2RS	2

7.39. Doraz / Anschlag / Stop piece



NAZEV SESTAVY DORAZ	CISLO SESTAVY 201.V414-200	STROJ 1N460
	Konstruoval: HLADIL	
	Datum: 13. 10.2010	
	Meritko: 1:2	

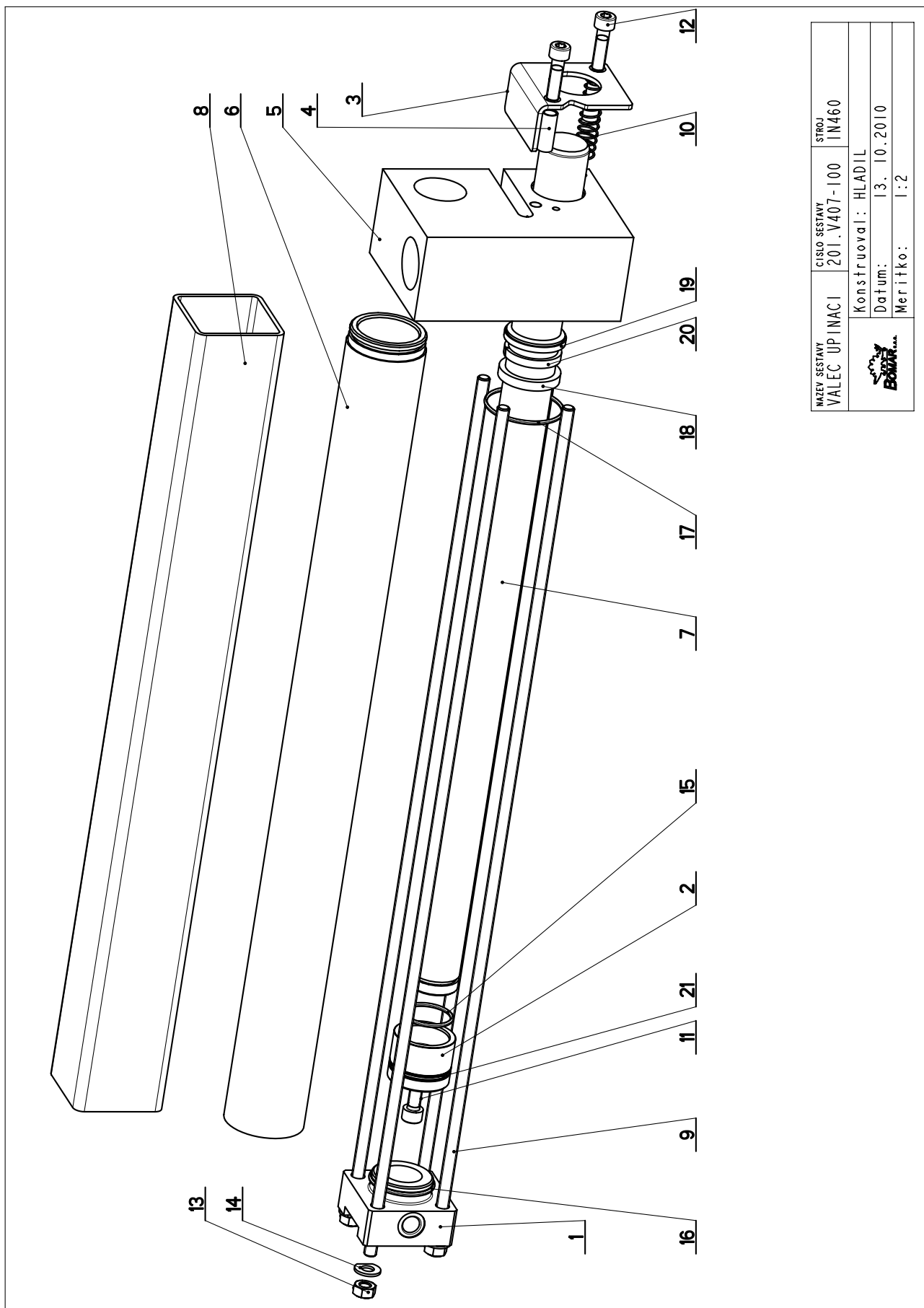
### 7.40. Kusovník / Stückliste / Piece list – Doraz / Anschlag / Stop piece

Cislo Sestavy 201.V414-200		Ver. 0		Nazev sestavy DORAZ/STOP PIECE/ANSCHLAG	
Poz.	Objednací číslo	Ver.	Nazev položky	Rozmer	Ks
1	30.0702-013	0	SROUB / BOLT / SCHRAUBE	M8	1
2	30.V414-201	0	DRZAK / HOLDER / HALTER		1
3	30.V414-202	0	TYC VODICI / LEAD POLE / FÜHRUNGSSTANGE	d 16	2
4	30.V414-203	0	HRANOL / BLOCK / PRISMA	HR 30x20	1
5	30.V414-204	0	LISTA CELISTI / JAW TRIM / BACKENLEISTE	P4 - 24	1
6	30.V414-205	0	HRANOL / BLOCK / PRISMA	HR 16x16	1
7	30.V414-206	0	DRZAK / HOLDER / HALTER	P4 - 40	1
8	90.001.55.083	0	SROUB IMBUS / ALLEN HEAD BOLT / IMBUSSCHRAUBE	M8X30	2
9	90.002.2D.013	0	SROUB STAVECI / ADJUSTMENT BOLT / STELLSCHRAUBE	SROUB M8X25	3
10	90.011.27.004	0	SROUB ZAPUSTNY / COUNTERSINK BOLT / SENKSCHRAUBE	SROUB M6X10	2
11	90.100.55.005	0	MATICE / NUT / MÜTTER	MATICE - M8	3
12	90.150.50.005	0	PODLOZKA / WASHER / UNTERLEGSCHIBE	PODLOZKA 8,4	2
13	91.173.007	0	SPINAC KONCOVY / END SWITCH / ENDSCHALTER	-RIWK	1
14	95.700.013	0	POUZDRO / SLEEVE / BÜCHSE	16X15	4

Cislo Sestavy/Number of assembly/Nummer der Baugruppe; Verze (Ver.)/Version/Version; Nazev sestavy/Assembly title/Name der Baugruppe; Pozice (Poz.)/Position/Position;  
Objednací číslo/Purchase order number/Bestellnummer; Nazev položky/Volume title/Name der Position; Rozmer/Stock size/Abmessung



### 7.41. Válec upínací / Spannzyylinder / Fixing cylinder



NAZEV SESTAVY VALEC UPINACI	CISLO SESTAVY 201.V407-100	STROJ IN460
Konstruoval: HLADIL		
Datum: 13. 10.2010		
Meritko: 1:2		

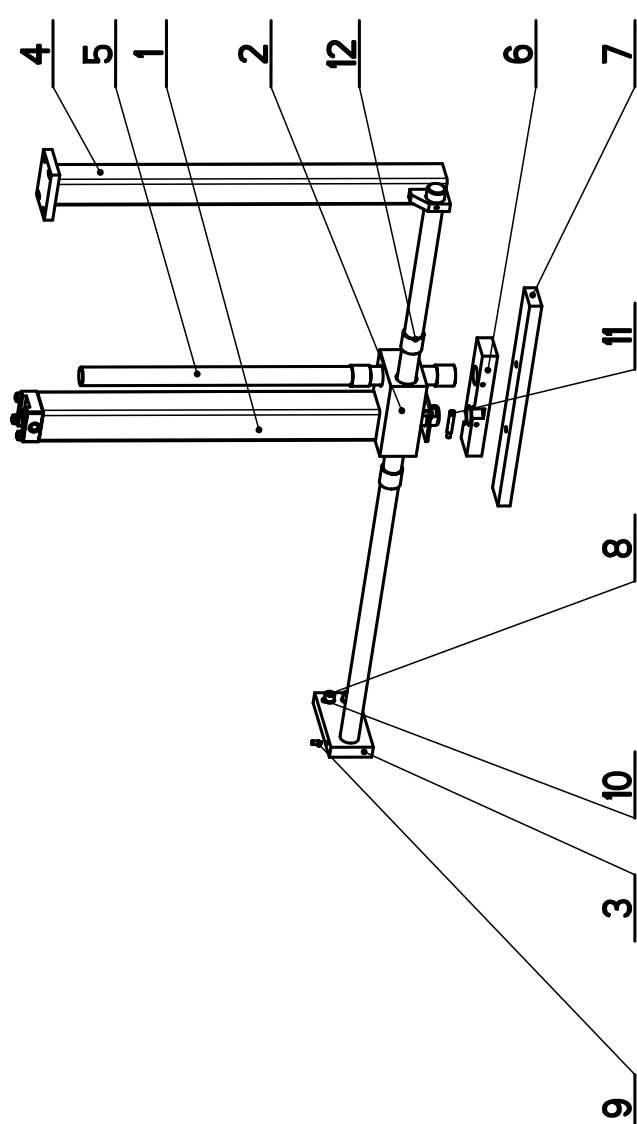
7.42. Kusovník / Stückliste / Piece list –  
Válec upínací / Spannzyylinder / Fixing cylinder

Císlo Sestavy 201.V407-100		Ver. 0		Název sestavy VALEC UPÍNAČI/FIXING CYLINDER/SPANNZYLLINDER	
Poz.	Objednávací číslo	Ver.	Název položky	Rozměr	Ks
1	30.7207-701	0	VIKO / COVER / DECKEL	HR 60x60	1
2	30.7207-707	0	PIST / PISTON / KOLBEN	d 45	1
3	30.7207-709	1	DORAZ / STOP PIECE / ANSCHLAG	P 3 - 62	1
4	30.7207-710	0	KROUZEK DISTANČNÍ / DISTANCE RING / DISTANZRING	TR 10x1	2
5	30.V407-101	0	VIKO / COVER / DECKEL	HR 120x60	1
6	30.V407-102	0	VALEC UPÍNAČI / FIXING CYLINDER / SPANNZYLLINDER	TR 52/40H8	1
7	30.V407-103	0	PISTNICE / PISTON ROD / KOLBENSTANGE	d 32	1
8	30.V407-105	0	KRYT / COVER / ABDECKUNG	J 60x60x3	1
9	30.V407-106	0	SVORNÍK / HINGE PIN / KLEMME	M 8	4
10	31.2801-014	0	PRUŽINA / SPRING / FEDER	1x12.5x60x12	1
11	90.001.25.032	0	SROUB IMBUS ČERNÝ / ALLEN HEAD BOLT / IMBUSSCHRAUBE	8x20	1
12	90.001.55.083	0	SROUB IMBUS / ALLEN HEAD BOLT / IMBUSSCHRAUBE	M8X30	2
13	90.100.55.005	0	MATICE / NUT / MUTTER	MATICE - M8	4
14	90.150.50.005	0	PODLOŽKA / WASHER / UNTERLEGSCHIEBE	PODLOŽKA 8,4	4
15	96.001.008	0	KROUZEK O STATICKY / STATIC O RING / O-RING STATISCH	26X2	1
16	96.001.010	0	KROUZEK O STATICKY / STATIC O RING / O-RING STATISCH	36X2	1
17	96.001.013	0	KROUZEK O STATICKY / STATIC O RING / O-RING STATISCH	45X2	1
18	96.042.007	0	TESNĚNÍ / SEALING / DICHTUNG	32x40x6.3	1
19	96.060.009	0	KROUZEK STÍRAČI / SCRAPER RING / ABSTREIFRING	32x40x5x6	1
20	96.084.003	0	KROUZEK VODÍČI / LEAD RING / FÜHRUNGSRING	GR 6500320	1
21	96.900.002	0	TESNĚNÍ KOMBINOVANÉ / COMBINATION SEALING / KOMBIDICHTUNG		1

Císlo Sestavy/Number of assembly/Nummer der Baugruppe; Verze (Ver.)/Version/Version; Název sestavy/Assembly title/Name der Baugruppe; Pozice (Poz.)/Position/Position;  
Objednávací číslo/Purchase order number/Bestellnummer; Název položky/Volume title/Name der Position; Rozměr/Stock size/Abmessung

### 7.43. Upínání horní / Spannvorrichtung oben / Top clam

Císlo Sestavy 201.V414-100	Ver. 0	Název sestavy UPÍNÁNÍ HORNÍ/TOP CLAM/SPANNVORRICHTUNG OBEN	Ver. 0	Název položky	Rožmer	Ks
1	0	201.V407-100	0	VALEC UPÍNACÍ / FIXING CYLINDER / SPANNZYLINDER		1
2	0	30.V414-101	0	TYC VODICI / LEAD POLE / FÜHRUNGSSTANGE	d 30	1
3	0	30.V414-102	0	KOSTKA / CUBE / WÜRFEL	HR 70x20	1
4	0	30.V414-104	0	NOHA / LEG / STÄNDER		1
5	0	30.V414-105	0	TYC VODICI / LEAD POLE / FÜHRUNGSSTANGE	d 30 h6	1
6	0	30.V414-106	0	CELIST / JAW / BACKE	HR 50x25	1
7	0	30.V414-107	0	LISTA CELISTI / JAW TRIM / BACKENLEISTE	HR 50x20	1
8	0	90.001.25.049	0	SROUB IMBUS / ALLEN HEAD BOLT / IMBUSSCHRAUBE	M10X35	2
9	0	90.004.2D.003	0	SROUB STAVECI / ADJUSTMENT BOLT / STELLSCHRAUBE	SROUB M6X16	1
10	0	90.163.00.004	0	PODLOZKA / WASHER / UNTERLEGSCHEIBE	NORD-LOCK	2
11	0	91.172.001	0	SPINAC / SWITCH / SCHALTER	BES M08M1	1
12	0	95.700.012	0	POUZZRO / SLEEVE / BÜCHSE	3030KU	4

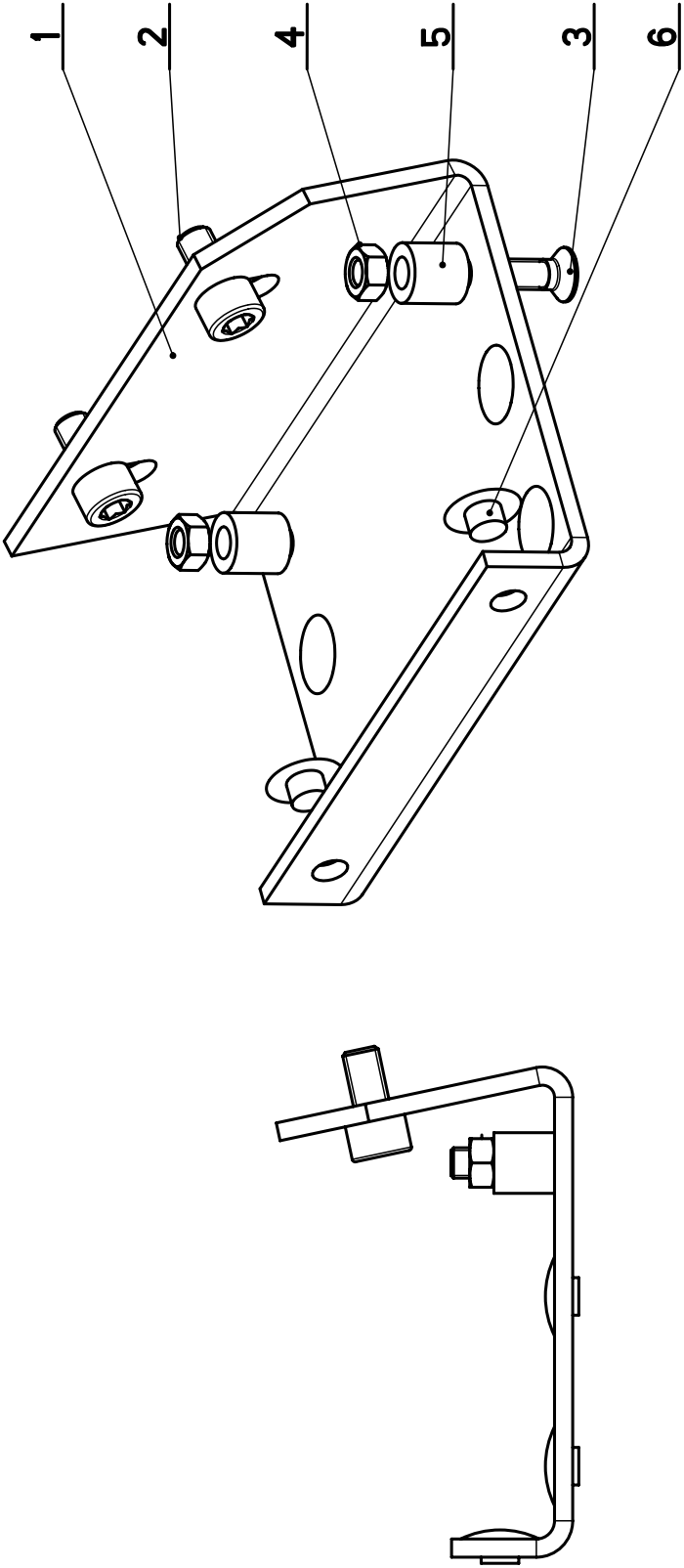
  


The diagram shows an exploded view of the top clam assembly. The components are numbered as follows: 1 (TYC VODICI / LEAD POLE / FÜHRUNGSSTANGE), 2 (KOSTKA / CUBE / WÜRFEL), 3 (NOHA / LEG / STÄNDER), 4 (VALEC UPÍNACÍ / FIXING CYLINDER / SPANNZYLINDER), 5 (TYC VODICI / LEAD POLE / FÜHRUNGSSTANGE), 6 (CELIST / JAW / BACKE), 7 (LISTA CELISTI / JAW TRIM / BACKENLEISTE), 8 (SROUB IMBUS / ALLEN HEAD BOLT / IMBUSSCHRAUBE), 9 (SROUB STAVECI / ADJUSTMENT BOLT / STELLSCHRAUBE), 10 (PODLOZKA / WASHER / UNTERLEGSCHEIBE), 11 (SPINAC / SWITCH / SCHALTER), and 12 (POUZZRO / SLEEVE / BÜCHSE).

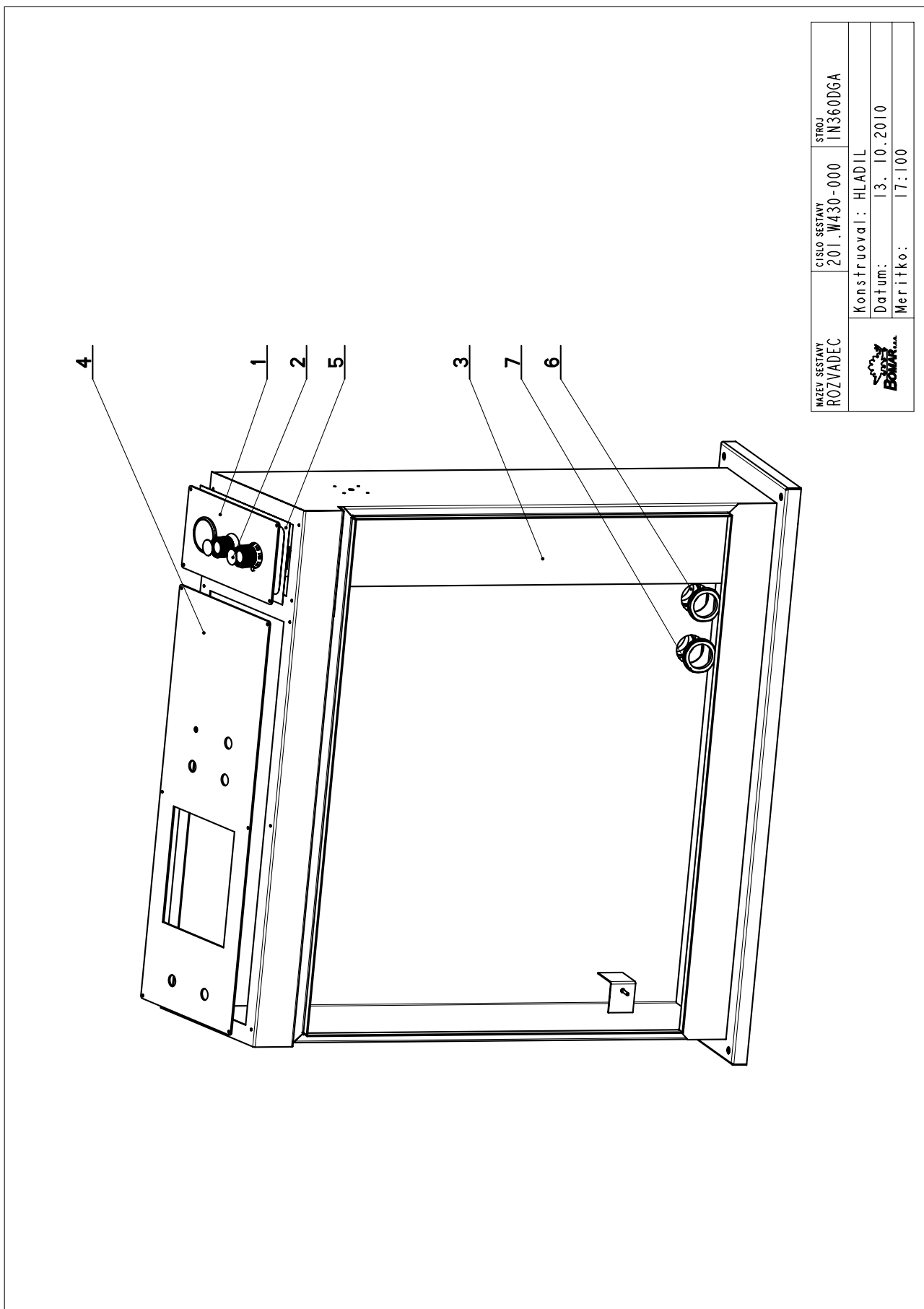
Císlo Sestavy/Number of assembly/Nummer der Baugruppe; Verze (Ver.)/Version/Version; Název sestavy/Assembly title/Name der Baugruppe; Pozice (Poz.)/Position/Position;  
 Objednací číslo/Purchase order number/Bestellnummer; Název položky/Volume title/Name der Position; Rožmer/Stock size/Abmessung

### 7.44. Držák / Halter / Holder

Císlo Sestavy 201.Y404-070		Ver. 0		Název sestavy DRŽÁK / HOLDER / HALTER	
Poz.	Objednací číslo	Ver.	Název položky	Rozměr	Ks
1	30.Y404-071	0	DRŽÁK / HOLDER / HALTER	P3 - 100	1
2	90.001.25.016	0	SROUB IMBUS / ALLEN HEAD BOLT / IMBUSSCHRAUBE	M6X12	2
3	90.011.27.024	0	SROUB ZAPUSTNÝ / COUNTERSINK BOLT / SENKSCHRAUBE	SROUB M5X20	2
4	90.100.55.003	0	MATICE / NUT / MUTTER	MATICE - M5	2
5	90.163.00.006	0	DISTANC / DISTANCE / DISTANZ	TR 10/5.3	2
6	94.101.029	0	ZATKA / PLUG / STOPFEN	PRO IMBUS M8	6

### 7.45. Rozvaděč / Verteiler / Distributor



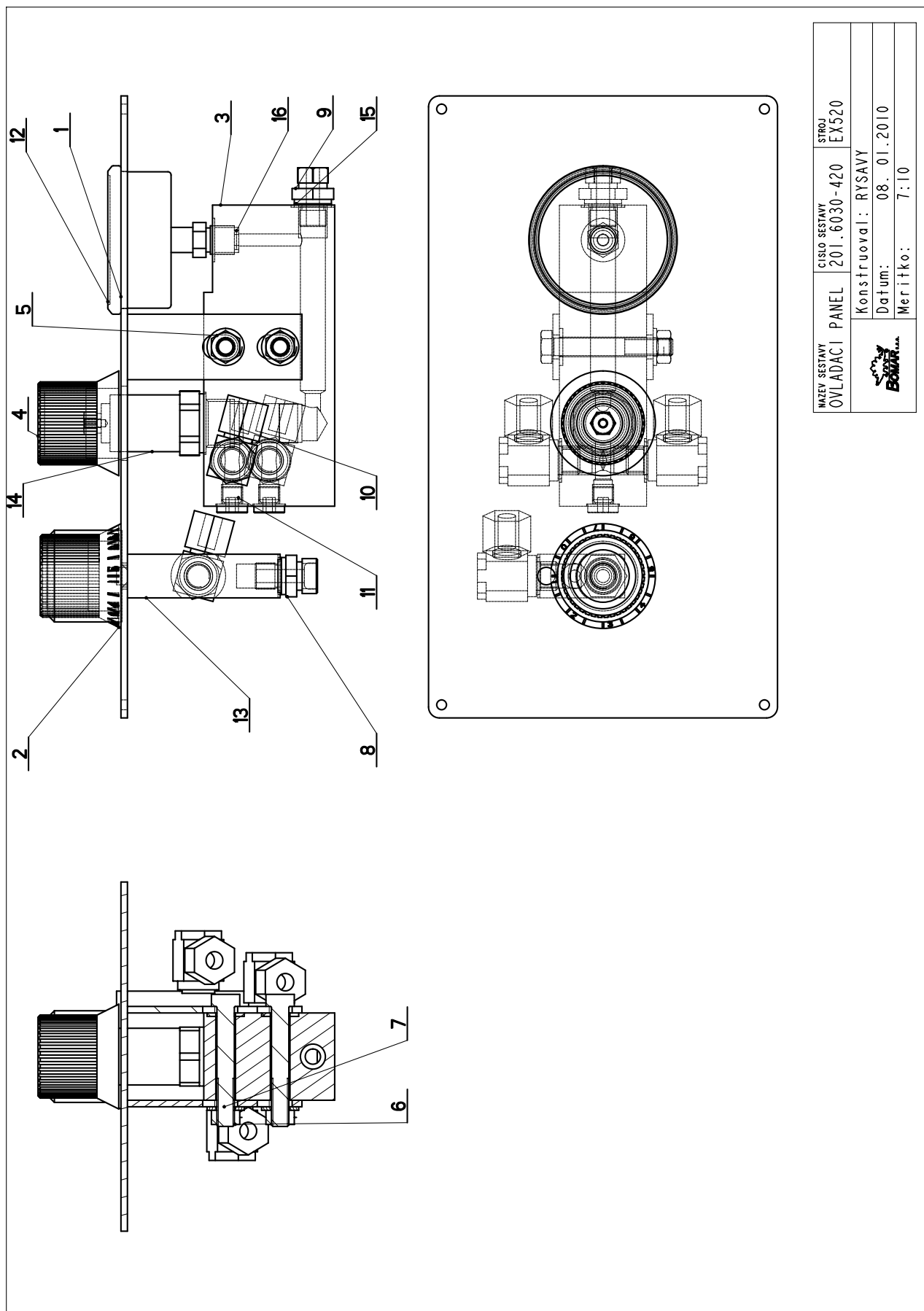
NAZEV SESTAVY ROZVADEC	CISLO SESTAVY 201.W430-000	STROJ IN360DGA
Konstruoval: HLADIL		Datum: 13. 10. 2010
Meritko:		17:100

7.46. Kusovník / Stückliste / Piece list –  
Rozvaděč / Verteiler / Distributor

Cislo Sestavy 201.W430-000		Ver. 0		Nazev sestavy ROZVADEC/DISTRIBUTOR/VERTEILER	
Poz.	Objednaci cislo	Ver.	Nazev polozky	Rozmer	Ks
1	201.6030-420	1	OVLADACI PANEL / CONTROL PANEL / BEDIENPULT		1
2	30.6130-012	0	VIKO / COVER / DECKEL	P 0.5x 30x30	2
3	30.W330-101	0	ROZVADEC / DISTRIBUTOR / VERTEILER		1
4	30.W330-102	0	PANEL / PANEL / PANEL	P3 - 285	1
5	31.6030-410	1	PANEL / PANEL / PANEL	FOLIE	1
6	91.071.022	0	VYVODKA / BUSHING / TÜLLE		3
7	91.072.016	0	MATICE / NUT / MUTTER		3

Cislo Sestavy/Number of assembly/Nummer der Baugruppe; Verze (Ver.)/Version/Version; Nazev sestavy/Assembly title/Name der Baugruppe; Pozice (Poz.)/Position/Position;  
Objednaci cislo/Purchase order number/Bestellnummer; Nazev polozky/Volume title/Name der Position; Rozmer/Stock size/Abmessung

### 7.47. Ovládací panel / Bedienpult / Control panel



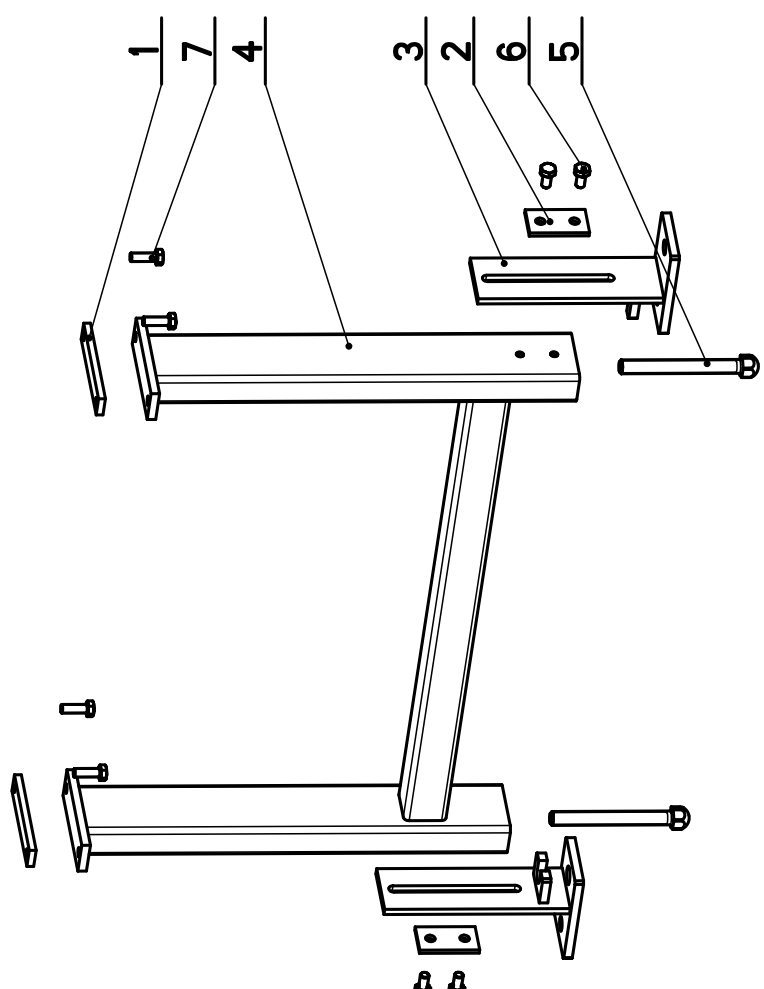
7.48. Kusovník / Stückliste / Piece list –  
Ovládací panel / Bedienpult / Control panel

Císlo Sestavy 201.6030-420		Název sestavy OVLADACÍ PANEL/CONTROL PANEL/BEDIENPULT			
Poz.	Objednávací číslo	Ver.	Název položky	Rozměr	Ks
1	30.6030-411	1	PANEL / PANEL / PANEL		1
2	30.6130-021	0	HLAVICE / HEAD / KOPF	VYLISEK	1
3	30.6130-103	2	KOSTKA REGULACE / REGULATION CUBE / REGULINGSWÜRFEL	TYC 60x40	1
4	31.6130-008	0	HLAVICE / HEAD / KOPF		1
5	90.005.55.064	0	SROUB 6HRANNY / 6 SIDED BOLT / SECHSKANTSCHRAUBE	SROUB M8x55	2
6	90.100.55.005	0	MATICE DIN 934 / NUT / MUTTER	MATICE - M8	2
7	90.150.50.005	0	PODLOZKA DIN125 / WASHER / UNTERLEGSCHLEIBE	PODLOZKA 8,4	4
8	92.002.103	0	SROUBENI PRIME / DIRECT BOLTING / GERADE VERSCHRAUBUNG	G 1/4" tr12	1
9	92.002.107	0	SROUBENI PRIME / DIRECT BOLTING / GERADE VERSCHRAUBUNG	G 1/4" 6	1
10	92.003.001	0	SROUBENI UHLOVE / ANGLE BOLTING / WINKELVERSCHRAUBUNG	P-RSWS-08LR	3
11	92.019.003	0	ZATKA / PLUG / STOPFEN	G1/4" VNITRNI IMBUS	2
12	92.080.002	0	MANOMETR / MANOMETER / MANOMETER	d 63 - 60bar	1
13	92.152.001	0	VENTIL SKRTICI / CHOKE VALVE / DROSSELVENTIL	VS01-04/R 2.5-0	1
14	92.154.001	0	VENTIL REDUCNI / REDUCTION VALVE / DRUCKMINDERUNGSVENTIL		1
15	96.082.002	0	KROUZEK TESNICI / SEAL RING / DICHTUNGSRING	KROUZEK CU 13/17	5
16	96.082.005	0	KROUZEK TESNICI / SEAL RING / DICHTUNGSRING	5x8.8x1	2



## 7.49. Noha dopravníku /Ständer des Förderers / Feeder Leg

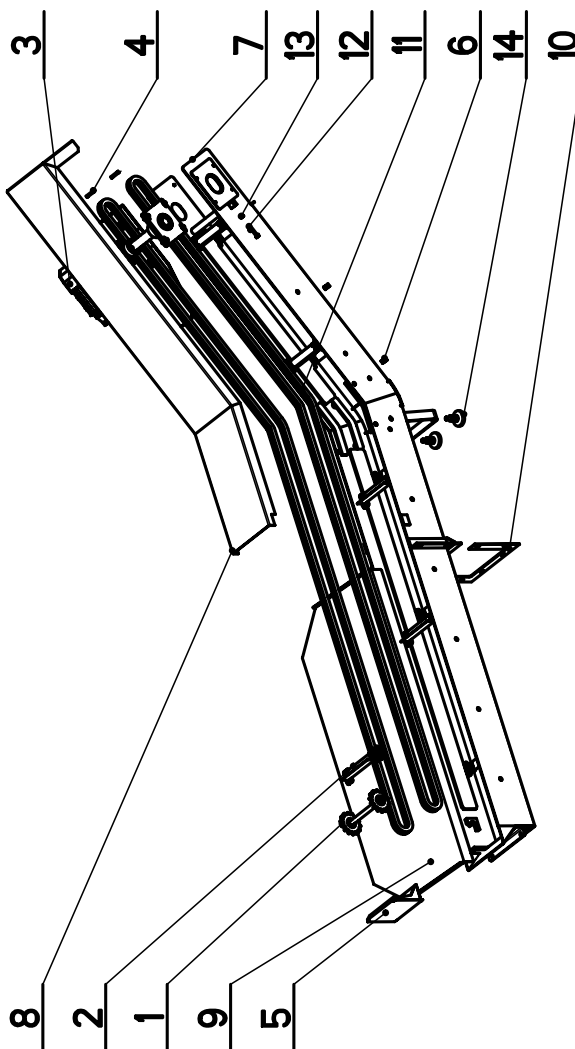
Císlo Sestavy 203.X106-100	Ver. 0	Název sestavy NOHA DOPRAVNÍKU/FEEDER LEG/STÄNDER DES FÖRDERERS			
Poz.	Objednací číslo	Ver.	Název položky	Rozměr	Ks
1	30.1315-701	0	PRÍLOŽKA / STRAP / LASCHE	HR 8x25	2
2	30.1515-681	0	PRÍLOŽKA / STRAP / LASCHE	HR 40x5	2
3	30.1515-690	0	NOHA / LEG / STÄNDER		2
4	30.X106-101	0	RAM / FRAME / RAHMEN		1
5	31.1514-102	0	SROUB STAVECI / ADJUSTMENT BOLT / STELLSCHRAUBE	M 16	2
6	90.005.55.023	0	SROUB 6HRANNY / 6 SIDED BOLT / SECHSKANTSCHRAUBE	SROUB M10X20	4
7	90.005.55.025	0	SROUB 6HRANNY / 6 SIDED BOLT / SECHSKANTSCHRAUBE	SROUB M10X30	4

Císlo Sestavy/Number of assembly/Nummer der Baugruppe; Verze (Ver.)/Version/Version; Název sestavy/Assembly title/Name der Baugruppe; Pozice (Poz.)/Position/Position;  
 Objednací číslo/Purchase order number/Bestellnummer; Název položky/Volume title/Name der Position; Rozměr/Stock size/Abmessung

## 7.50. Trískový vynašeč / Spanabführung / Chip extractor

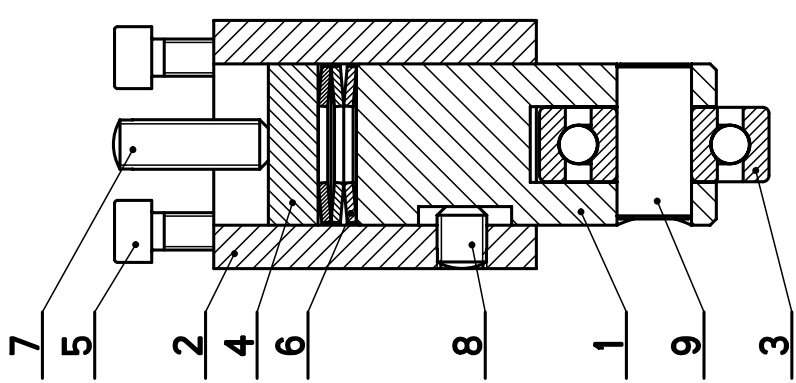
Cislo Sestavy 201.V317-000		Ver. 0	Nazev sestavy VYNAŠEČ TRÍSKOVÝ/CHIP EXTRACTOR/SPANABFÜHRUNG		
Poz.	Objednací číslo	Ver.	Nazev položky	Rozměr	Ks
1	201.6017-103	0	KOLO NAPINACÍ / TENSIONING WHEEL / UMLENKRAD		1
2	201.6017-104	1	RETEZ PŮHOVÝ / DRIVE BELT / ANTRIEBSKETTE		10
3	201.V317-050	0	POHON / DRIVE / ANTRIEB		1
4	30.6017-105	0	PERO / SPRING / FEDER	PERO 6x6	2
5	30.6017-121	0	SÍTO / SIEVE / GITTERWERK		1
6	30.9010-003	0	DRŽÁK / HOLDER / HALTER	PL-5x10	2
7	30.V317-001	0	KORYTO / CHANNEL / RINNE		1
8	30.V317-003	0	KRYT / COVER / ABDECKUNG		1
9	30.V317-008	0	KRYT / COVER / ABDECKUNG	P 1,5 - 614	1
10	31.7217-032	0	TESNĚNÍ / SEALING / DICHTUNG	TL4	1
11	49.200.018	0	RETEZ / CHAIN / KETTE	210BK3 (1/4x3/8)	2
12	90.005.55.012	0	SROUB 6HRANNÝ / 6 SIDED BOLT / SECHSKANTSCHRAUBE	SROUB M6x40	2
13	90.100.55.004	0	MATICE / NUT / MUTTER	MATICE - M6	2
14	94.015.002	0	NOHA / LEG / STÄNDER	M10x40	2



Cislo Sestavy/Number of assembly/Nummer der Baugruppe; Verze (Ver.)/Version/Version; Nazev sestavy/Assembly title/Name der Baugruppe; Pozice (Poz.)/Position/Position;  
Objednací číslo/Purchase order number/Bestellnummer; Nazev položky/Volume title/Name der Position; Rozměr/Stock size/Abmessung

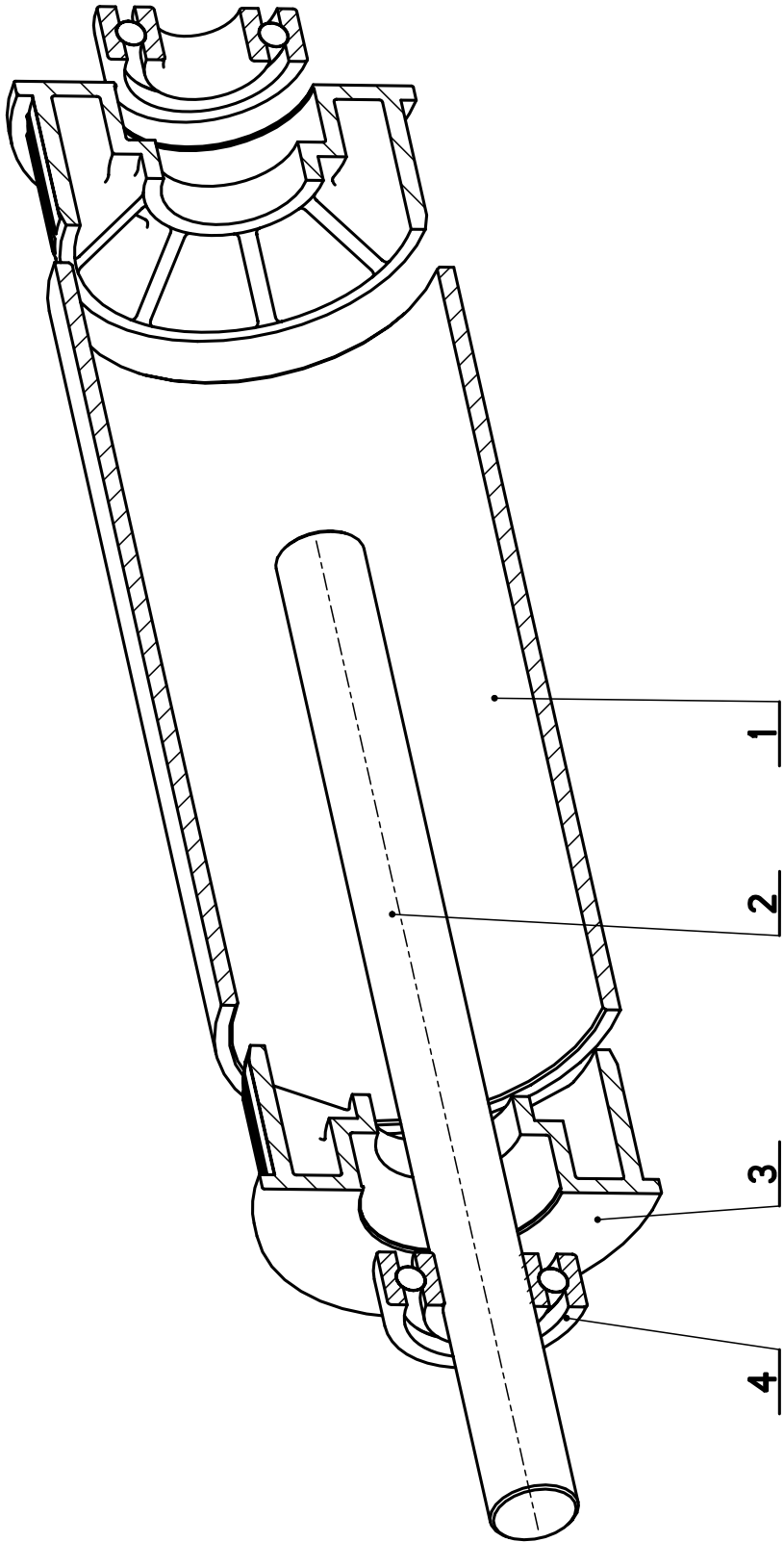
### 7.51. Kladka /Rolle / Pulley

Cislo Sestavy 201.Y403-010		Ver. 0	Nazev sestavy KLADKA/PULLEY/ROLLE		
Poz.	Objednaci cislo	Ver.	Nazev polozky	Rozmer	Ks
1	30.Y403-011	0	DRZAK / HOLDER / HALTER	D 26	1
2	30.Y403-012	0	POUZDRO / SLEEVE / BÜCHSE	HR 40x40	1
3	95.001.042	0	LOZISKO / BEARING / LAGER	6301 2RS	1
4	30.Y403-013	0	DESKA / BOARD / PLATTE	D 26	1
5	90.001.25.018	0	SROUB IMBUS / ALLEN HEAD BOLT / IMBUSSCHRAUBE	M6X20	4
6	90.350.0Z.018	0	PRUZINA TALIROVA / DISC SPRING / TELLERFEDER	DexDixTxL	3
7	90.002.2D.013	0	SROUB STAVECI / ADJUSTMENT BOLT / STELLSCHRAUBE	SROUB M6X25	1
8	90.002.2D.011	0	SROUB STAVECI / ADJUSTMENT BOLT / STELLSCHRAUBE	SROUB M6X10	1
9	30.Y403-014	0	CEP / LUG / BOLZEN	D 12	1

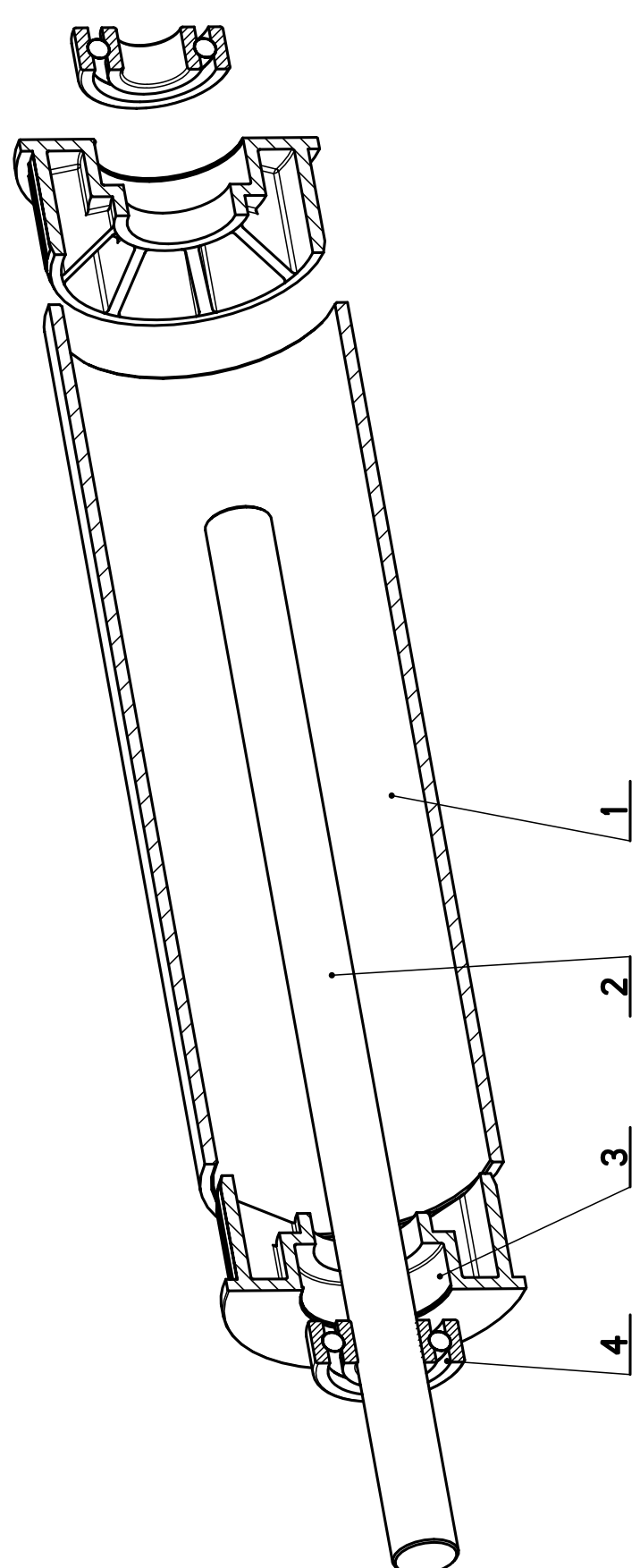
7.52. Váleček / Rolle / Cylinder 1

Císlo Sestavy 201.Y317-010		Ver. 0	Název sestavy VALEČEK/CYLINDER/ROLLE		
Poz.	Objednací číslo	Ver.	Název položky	Rozměr	Ks
1	30.Y317-011	0	TRUBKA / TUBE / ROHR	Tr 70x3	1
2	30.Y317-012	0	CEP / LUG / BOLZEN	d 15	1
3	31.1313-502	0	VÍKO / COVER / DECKEL	d 60	2
4	95.001.015	0	LOŽISKO / BEARING / LAGER	6202 2RS	2



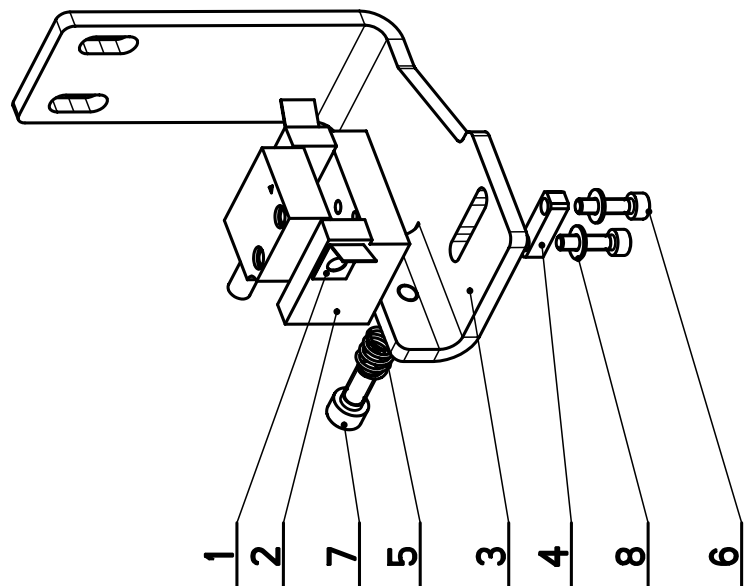
### 7.53. Váleček / Rolle / Cylinder 2

Cislo Sestavy 201.Y317-020	Ver. 0	Nazev sestavy VALECEK/CYLINDER/ROLLE			
Poz.	Objednaci cislo	Ver.	Nazev položky	Rozmer	Ks
1	30.Y317-021	0	TRUBKA / TUBE / ROHR	Tr 70x3	1
2	30.Y317-022	0	CEP / LUG / BOLZEN	d 15	1
3	31.1313-502	0	VIKO / COVER / DECKEL	d 60	2
4	95.001.015	0	LOZISKO / BEARING / LAGER	6202 2RS	2

## 7.54. Snimač magnet. / Magnetsensor / Magnetic sensor

Cislo Sestavy 201.V302-130		Ver. 0		Nazev sestavy SNIMAC MAGNET. /MAGNETIC SENSOR/MAGNETSENSOR	
Poz.	Objednaci cislo	Ver.	Nazev polozky	Rozmer	Ks
1	30.1504-017	0	STERAC / WIPER / ABSTREIFER	P 0.3 -11	2
2	30.V302-131	0	DRZAK / HOLDER / HALTER	HR 25x35	1
3	30.V302-132	0	DRZAK / HOLDER / HALTER	P5 - 62	1
4	30.V302-133	0	PERO / SPRING / FEDER	HR 10x6	1
5	31.1605-121	0	PRUZINA / SPRING / FEDER	1x9.5x12x4.0(0.8x9x10x6)	1
6	90.001.25.004	0	SROUB IMBUS / ALLEN HEAD BOLT / IMBUSSCHRAUBE	M4X16	2
7	90.001.25.092	0	SROUB IMBUS / ALLEN HEAD BOLT / IMBUSSCHRAUBE	M6X14	1
8	90.150.50.002	0	PODLOZKA / WASHER / UNTERLEGSCHHEIBE	PODLOZKA 4, 3	2
9	91.270.018	0	SNIMAC MAGNET. / MAGNETIC SENSOR / MAGNETSENSOR	EL60	1

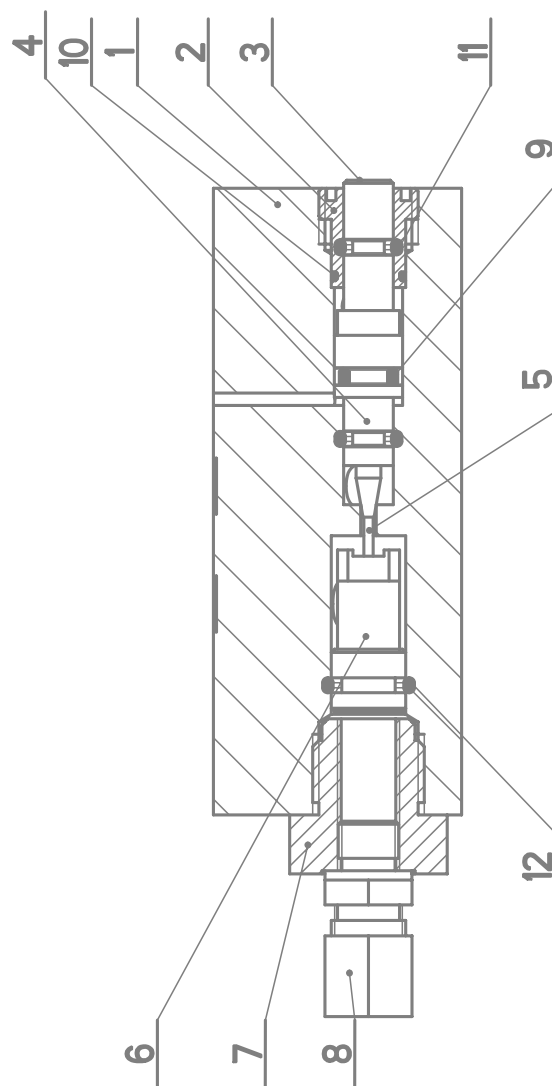
  


The diagram shows an exploded view of the magnetic sensor assembly. The components are numbered as follows: 1 (Wiper), 2 (Holder), 3 (Holder), 4 (Spring), 5 (Spring), 6 (Allen head bolt), 7 (Allen head bolt), 8 (Washer), and 9 (Magnetic sensor).

Cislo Sestavy/Number of assembly/Nummer der Baugruppe; Verze (Ver.)/Version/Version; Nazev sestavy/Assembly title/Name der Baugruppe; Pozice (Poz.)/Position/Position;  
Objednaci cislo/Purchase order number/Bestellnummer; Nazev polozky/Volume title/Name der Position; Rozmer/Stock size/Abmessung

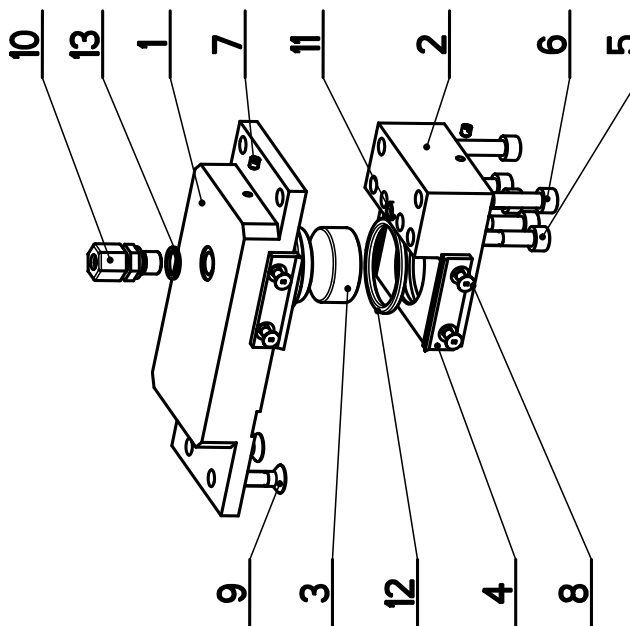
### 7.55. Kostka regulace / Regelungswürfel / Regulation cube

Císlo Sestavy 201.6816-100	Ver. 0	Název sestavy KOSTKA REGULACE/REGULATION CUBE/REGELUNGSWÜRFEL	Rozměr	k/s
Poz. Objednací číslo	Ver.	Název položky	Rozměr	k/s
1 30.6816-101	1	KOSTKA REGULACE / REGULATION CUBE / REGELUNGSWÜRFEL	TYC 40x40	1
2 30.6816-104	1	VÍKO / COVER / DECKEL	TYC 16	1
3 30.6816-103	0	PIST / PISTON / KOLBEN	TYC 12	1
4 30.6816-108	0	JEHLA / NEEDLE / NADEL	TYC 8	1
5 95.690.001	0	JEHLA / NEEDLE / NADEL	1.5x11.8	1
6 30.6816-106	2	PIST / PISTON / KOLBEN	TYC 12	1
7 30.6816-107	0	VÍKO / COVER / DECKEL	TYC 22	1
8 92.002.102	0	SROUBENÍ / BOLTING / VERSCHRAUBUNG	S-GEV-8LLR	1
9 96.002.003	0	O-KROUZEK DYNAMIC / DYNAMIC O RING / O-RING DYNAMISCH	6X2	1
10 96.002.041	0	O-KROUZEK DYNAMIC / DYNAMIC O RING / O-RING DYNAMISCH	10x1	1
11 96.001.001	0	O-KROUZEK STATIC / STATIC O RING / O-RING STATISCH	4X1,8	2
12 96.001.003	0	O-KROUZEK STATIC / STATIC O RING / O-RING STATISCH	8X2	1



## 7.56. Brzda / Bremse / Brake

Cislo Sestavy 201.V307-250		Ver. 0		Nazev sestavy BRZDA/BRAKE/BREMSE	
Poz.	Objednaci cislo	Ver.	Nazev polozky	Rozmer	Ks
1	30.V307-251	0	DESKA / BOARD / PLATTE	HR 80x30	1
2	30.V307-252	0	CELIST POHYBLIVA / MOVING JAW / BEWEGLICHE BACKE	HR 80x40	1
3	30.V307-253	0	PIST. / PISTON / KOLBEN	d 40	2
4	30.V307-254	0	STERAC / WIPER / ABSTREIFER	BA18	4
5	90.001.25.036	0	SROUB IMBUS / ALLEN HEAD BOLT / IMBUSSCHRAUBE	M8X40	4
6	90.001.25.038	0	SROUB IMBUS / ALLEN HEAD BOLT / IMBUSSCHRAUBE	M8X50	2
7	90.002.2D.003	0	SROUB STAVECI / ADJUSTMENT BOLT / STELLSCHRAUBE	SROUB M5X6	2
8	90.011.27.003	0	SROUB ZAPUSTNY / COUNTERSINK BOLT / SENKSCHAUBE	SROUB M5X10	8
9	90.011.27.016	0	SROUB ZAPUSTNY / COUNTERSINK BOLT / SENKSCHAUBE	SROUB M8X25	2
10	92.002.101	0	SROUBENI PRIME / DIRECT BOLTING / GERADE VERSCHRAUBUNG		1
11	96.002.003	0	KROUZEK O DYNAMICKY / DYNAMIC O RING / O-RING DYNAMISCH	6X2	1
12	96.020.005	0	KROUZEK TESNICI / SEAL RING / DICHTUNGSRING	39.2X5.33	2
13	96.082.002	0	TESNENI / SEALING / DICHTUNG	KROUZEK CU 13/17	1



Cislo Sestavy/Number of assembly/Nummer der Baugruppe; Verze (Ver.)/Version/Version; Nazev sestavy/Assembly title/Name der Baugruppe; Pozice (Poz.)/Position/Position;  
Objednaci cislo/Purchase order number/Bestellnummer; Nazev polozky/Volume title/Name der Position; Rozmer/Stock size/Abmessung



## 7.57. Regulace tl. svěráku / Schraubstock druckregelung / Vice pressure regulation

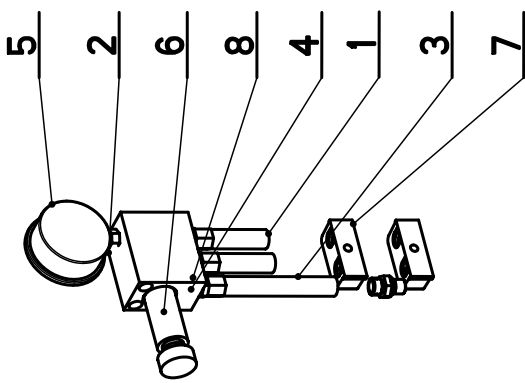
Cislo Sestavy 201.2115-200	Ver. 1	Nazev sestavy REGULACE TL. SVĚRAKU/VICE PRESSURE REGULATION/SCHRAUBSTOCK-DRUCKREGELUNG			
Poz.	Objednací číslo	Ver.	Nazev položky	Rozmer	Ks
1	30.1816-102	0	HADICE / HOSE / SCHLAUCH	1000-RP	2
2	30.2115-101	0	KOSTKA REGULACE / REGULATION CUBE / REGULINGSWÜRFEL	HR 60x40	1
3	30.2116-008	0	HADICE / HOSE / SCHLAUCH	1100 RP	1
4	92.002.001	0	SROUBENÍ / BOLTING / VERSCHRAUBUNG	G 1/4"	4
5	92.080.001	0	MANOMETR / MANOMETER / MANOMETER		1
6	92.154.001	0	VENTIL REDUKČNÍ / REDUCTION VALVE / DRUCKMINDERUNGSVENTIL		1
7	94.204.005	0	DRŽÁK / HOLDER / HALTER	LBG 14/14-PP	2
8	96.082.002	0	KROUZEK TĚSNICI / SEAL RING / DICHTUNGSRING	KROUZEK CU 13/17	3

I. PRID. 2xSAMOLEPKA SIPKA 31.0899.004 . 101/ZM131 29.5.2009 SLEZACKOVA

①

SAMOLEPKU NALEPIT NA CIFERNÍK MANOMETRU  
JEDNU NA 20 bar A DRUHOU NA 40bar

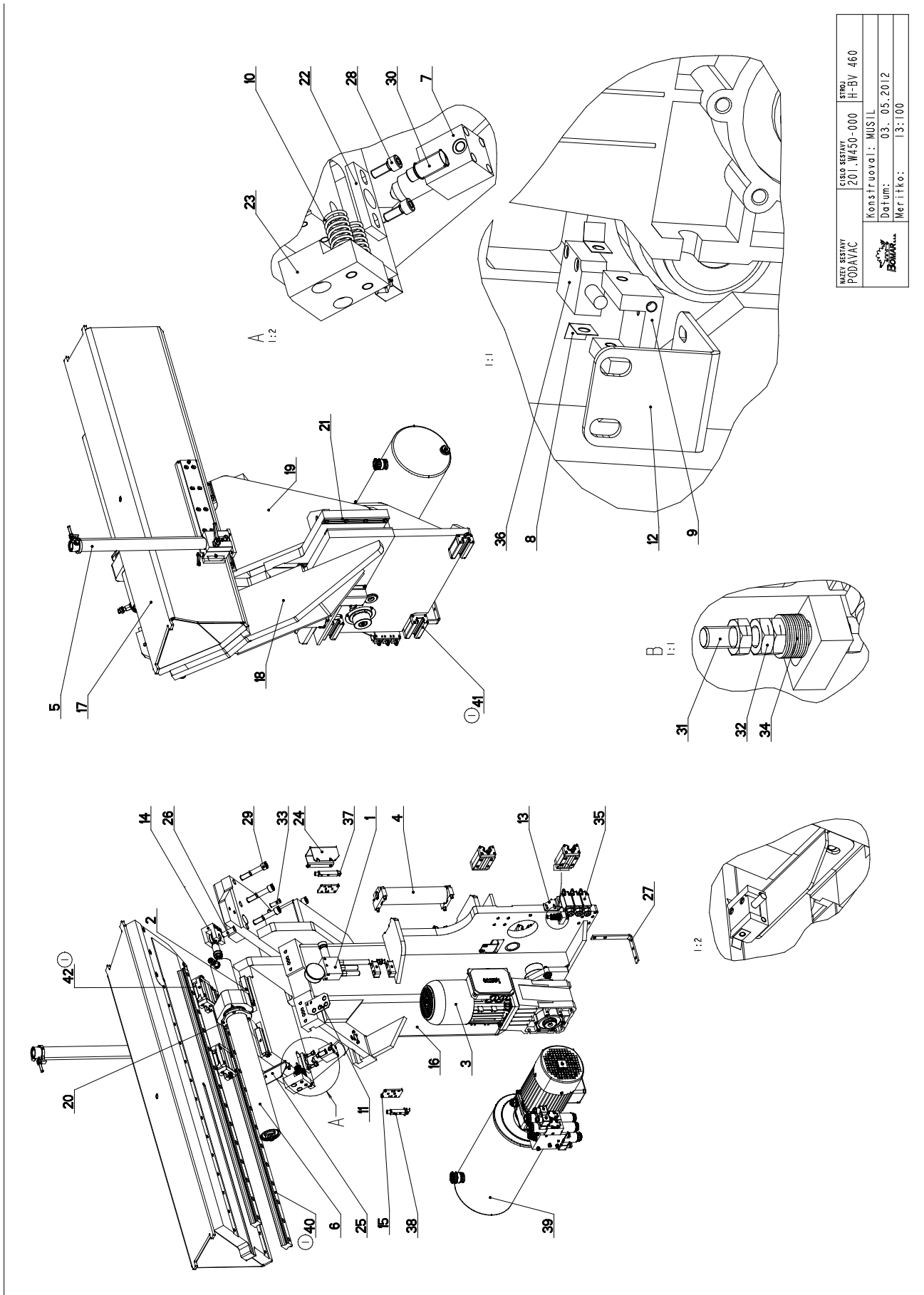


Cislo Sestavy/Number of assembly/Nummer der Baugruppe; Verze (Ver.)/Version/Version; Nazev sestavy/Assembly title/Name der Baugruppe; Pozice (Poz.)/Position/Position; Objednací číslo/Purchase order number/Bestellnummer; Nazev položky/Volume title/Name der Position; Rozmer/Stock size/Abmessung

Podavač /  
Vorschub /  
Feeder

### 7.58. Podavač / Vorschub / Feeder 1



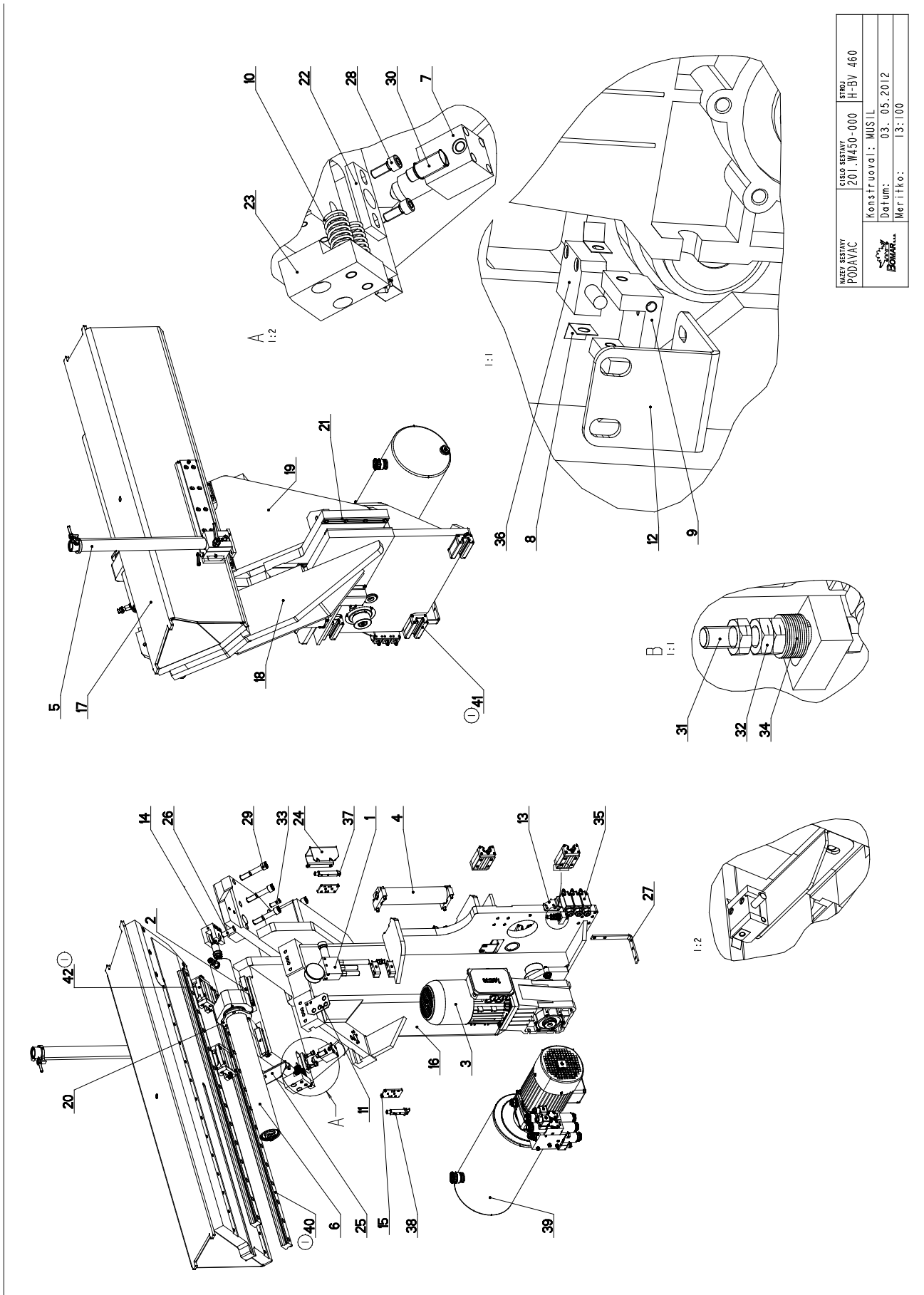
NAZEV SOUSTAVY PODAVAČ	ČÍSLO SOUSTAVY 201. W450-000	STŘEŠÍ H-BV 460
Konstruoval: MUSIL		Datum: 03. 05. 2012
Meritko:		13:100

## 7.59. Kusovník / Stückliste / Piece list – Podavač / Vorschub / Feeder 1

Císlo Sestavy 201.W450-000		Ver. 1		Název sestavy PODAVAC/FEEDER/VORSCHUB	
Poz.	Objednací číslo	Ver.	Název položky	Rozměr	Ks
1	201.2115-200	1	REGULACE TL. SVĚRAKU / VICE PRESSURE REGULATION / SCHRAUBSTOCK-DRUCKREGELUNG		1
2	201.2911-200	0	VEDENÍ LINEÁRNÍ / LINEAR GUIDE / LINEARE FÜHRUNG		4
3	201.W450-010	0	POHON / DRIVE / ANTRIEB		1
4	201.W450-020	0	VALEČEK / ROLLER / ROLLE		1
5	201.W450-130	0	UPÍMÁNÍ HORNÍ / TOP CLAM / SPANNVORRICHTUNG OBEN		1
6	201.W457-010	0	VALEC UPÍMÁČÍ / FIXING CYLINDER / SPANNZYLINDER		1
7	201.W457-020	0	VALEC POMOČNÝ / AUXILIARY CYLINDER / HILFSZYLINDER		1
8	30.1504-017	0	STERAC / WIPER / ABSTREIFER	P 0,3x11	4
9	30.1504-024	0	DRŽÁK / HOLDER / HALTER	HR 40x20	2
10	30.4307-508	0	PRUŽINA / SPRING / FEDER	2.5x23x38x6.5	2
11	30.8910-005	1	DRŽÁK / HOLDER / HALTER	P3 - 60	1
12	30.W350-006	0	DRŽÁK / HOLDER / HALTER	P2-48	1
13	30.W350-007	0	DRŽÁK / HOLDER / HALTER	P3-45	1
14	30.W350-008	1	DRŽÁK / HOLDER / HALTER	HR 60x60	1
15	30.W354-001	0	DESKA / BOARD / PLATTE	P 5-44	2
16	30.W450-001	1	VOZÍK / CART / WAGEN		1
17	30.W450-002	0	NOSNÍK / CARRIER / TRÄGER		1
18	30.W450-003	0	CELIST POKYBLIVÁ / MOVING JAW / BEWEGLICHE BACKE		1
19	30.W450-004	1	CELIST PEVNÁ / SOLID JAW / FESTE BACKE		1
20	30.W450-005	0	PRÍLOŽKA / STRAP / LASCHE	P8x110	1
21	30.W450-006	0	LISTA / TRIM / LEISTE	HR 30x10	4
22	30.W450-007	0	DESKA / BOARD / PLATTE	TYC30x10	1
23	30.W450-021	0	DORAZ / STOP PIECE / ANSCHLAG	HR 60x40	1
24	30.W454-004	0	KRYT / COVER / ABDECKUNG	P 2-100	1
25	30.W454-005	0	DRŽÁK / HOLDER / HALTER	P3-82	1
26	30.W454-006	0	CEP / LUG / BOLZEN	D 17	1
27	30.W454-007	0	DRŽÁK / HOLDER / HALTER	HR 20x5	1
28	90.001.25.032	0	ŠROUB IMBUS / ALLEN HEAD BOLT / IMBUSSCHRAUBE	8x20	2
29	90.001.25.101	0	ŠROUB IMBUS / ALLEN HEAD BOLT / IMBUSSCHRAUBE	M16X90	5
30	90.004.20.019	0	ŠROUB STAVEČÍ / ADJUSTMENT BOLT / STELLSCHRAUBE	ŠROUB M16X40	1
31	90.005.55.042	0	ŠROUB 6HRANNÝ / 6 SIDED BOLT / SECHSKANTSCHRAUBE	ŠROUB M10X70	1
32	90.101.55.002	0	MATICE / NUT / MUTTER	MATICE M10	3
33	90.302.07.015	0	KUŽEL. KOLÍK S ZAV. / TAPER PIN + THREAD / KEGELBOLZEN + GEWINDE	KOLÍK 12X40	2
34	90.350.07.005	0	PRUŽINA TALÍŘOVÁ / DISC SPRING / TELLERFEDER	20X10.2X1	8

Císlo Sestavy/Number of assembly/Nummer der Baugruppe; Verze (Ver.)/Version/Version; Název sestavy/Assembly title/Name der Baugruppe; Pozice (Poz.)/Position/Position;  
Objednací číslo/Purchase order number/Bestellnummer; Název položky/Volume title/Name der Position; Rozměr/Stock size/Abmessung

## 7.60. Podavač / Vorschub / Feeder 2



NAZEV SESTAVY PODVAČ	CÍSLO SESTAVY 201. W450-000	STROJ H-BV 460
Konstruoval: MUSIL		Datum: 03. 05. 2012
Meriřko: 13:100		

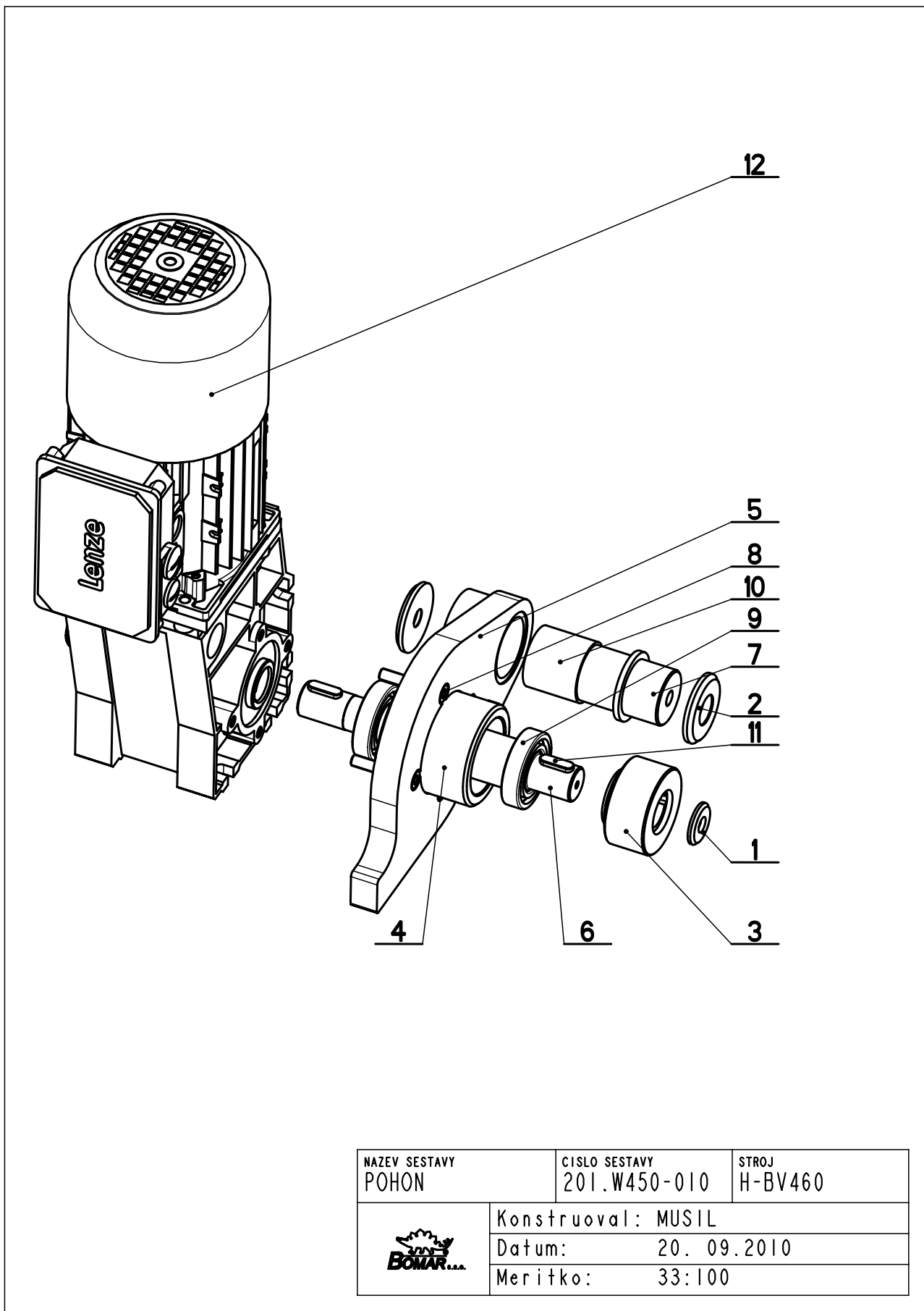
## 7.61. Kusovník / Stückliste / Piece list – Podavač / Vorschub / Feeder 2

35	91.173.010	0	SPINAC KONCOVY / END SWITCH / ENDSCHALTER			3
36	91.270.011	0	SNIMAC MAGNET. / MAGNETIC SENSOR / MAGNETSENSOR		LMI X2-026-08.0-1-00	2
37	91.400.003	0	LASER-UKAZOVATKO / LASER / LASER		BLE	1
38	91.400.004	0	LASER-UKAZOVATKO / LASER / LASER		BLS	1
39	92.001.072	0	AGREGAT HYDRAULICKY / HYDRAULIC GENERATOR / HYDRAULIKAGGREGAT		370/550 W; 5 MPa	1
40	99.200.257	0	VEDENI LINEARNI / LINEAR GUIDE / LINEARE FÜHRUNG		MSA35R	2
41	99.201.055	0	VOZIK LINEARNIHO VEDENI / LINEAR GUIDE CART / LINEARFÜHRUNGSWAGEN		MSA30SSSFON	4
42	99.201.056	0	VOZIK LINEARNIHO VEDENI / LINEAR GUIDE CART / LINEARFÜHRUNGSWAGEN		MSA35ESSFON	4

I.ZRUS.LIN.VEDENI(HIWIN) 99.200.190 A NAHR.99.200.257(PMI),ZRUS.VOZIK LIN.VEDENI (HIWIN) 99.201.011 A NAHR.99.201.056(PMI)  
ZRUS.VOZIK LIN.VEDENI(HIWIN) 99.201.019 A NAHR.99.201.055(PMI). 056/ZMI46 3.5.2012 SLEZACKOVA

Cislo Sestavy/Number of assembly/Nummer der Baugruppe; Verze (Ver.)/Version/Versio; Nazev sestavy/Assembly title/Name der Baugruppe; Pozice (Poz.)/Position/Position;  
Objednaci cislo/Purchase order number/Bestellnummer; Nazev polozky/Volume title/Name der Position; Rozmer/Stock size/Abmessung

7.62. Pohon / Antrieb / Drive



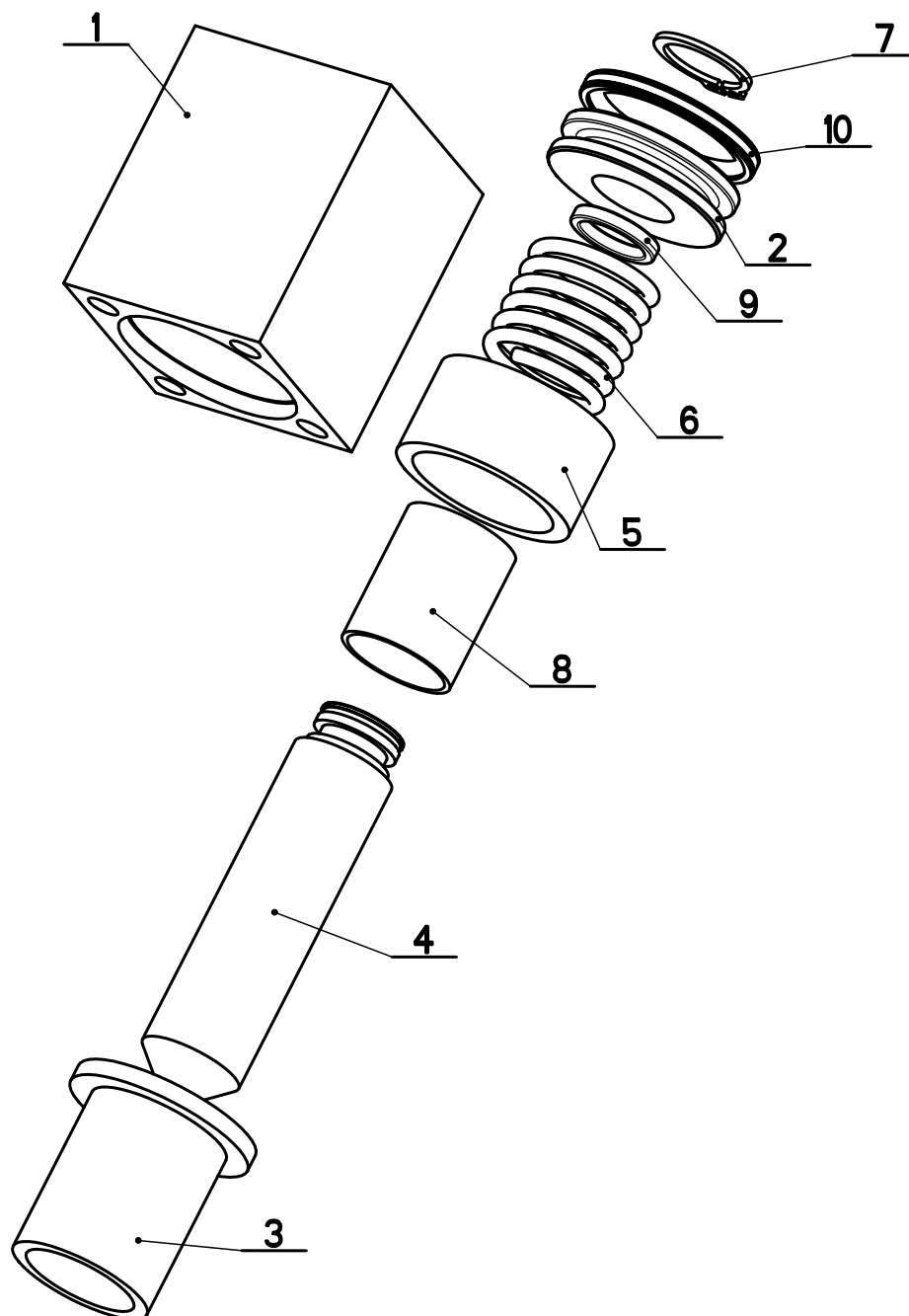
7.63. Kusovník / Stückliste / Piece list –  
Pohon / Antrieb / Drive


Cislo Sestavy 201.W450-010		Ver. 0		Nazev sestavy POHON/DRIVE / ANTRIEB	
Poz.	Objednací číslo	Ver.	Nazev položky	Rozměr	Ks
1	30.1514-503	0	PODLOZKA / WASHER / UNTERLEGSCHIEBE	d 30	2
2	30.2908-001	0	PODLOZKA / WASHER / UNTERLEGSCHIEBE	d 50	2
3	30.W350-014	0	KOLO OZUBENE / COG WHEEL / ZAHNRAD		1
4	30.W450-011	0	PRIRUBA / FLANGE / FLANSCH	d 100	1
5	30.W450-012	0	PRIRUBA / FLANGE / FLANSCH		1
6	30.W450-013	0	HRIDEL / SHAFT / WELLE	d 35	1
7	30.W450-015	0	CEP / LUG / BOLZEN	d 50	1
8	90.001.25.036	0	SROUB IMBUS / ALLEN HEAD BOLT / IMBUSSCHRAUBE	M8X40	4
9	95.001.009	0	LOZISKO / BEARING / LAGER	6006 ZRS	2
10	95.700.025	0	POUZDRO / SLEEVE / BÜCHSE	40X40	1
11	95.810.007	0	PERO TESNE / SPRING / FEDER	PERO 8X7X25	3
12	99.001.122	0	PREVODOVKA S MOTOREM / TRANSMISSION WITH MOTOR / GETRIEBE MIT MOTOR		1

Cislo Sestavy/Number of assembly/Nummer der Baugruppe; Verze (Ver.)/Version/Version; Nazev sestavy/Assembly title/Name der Baugruppe; Pozice (Poz.)/Position/Position;  
Objednací číslo/Purchase order number/Bestellnummer; Nazev položky/Volume title/Name der Position; Rozměr/Stock size/Abmessung



7.64. Válec pomocný / Hylfszylinder / Aux. cylinder

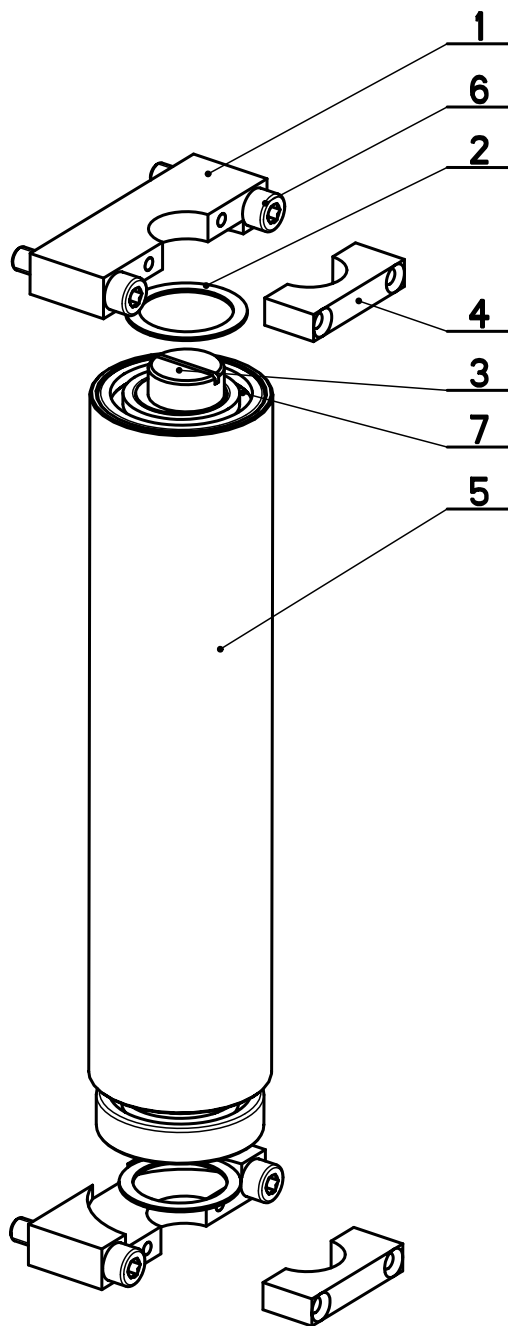


NAZEV SESTAVY VALEC POMOCNY	CISLO SESTAVY 201.W457-020	STROJ H-BV
	Konstruoval: &konstruoval	
	Datum: 17. 09.2010	
	Meritko: 1:1	

7.65. Kusovník / Stückliste / Piece list –  
Válec pomocný / Hilfszylinder / Aux. cylinder

Číslo sestavy 201.W457-020		Ver. 0		Název sestavy VALEC POMOCNY/AUXILIARY CYLINDER/HILFSZYLINDER	
Poz.	Objednací číslo	Ver.	Název položky	Rožmer	Ks
1	30.4307-501	1	KOSTKA / CUBE / WÜRFEL	HR 40 x 40	1
2	30.4307-503	1	PIST / PISTON / KOLBEN	TYC 35	1
3	30.4307-504	1	ZATKA / PLUG / STOPFEN	TYC 35	1
4	30.4307-506	0	PISTNICE / PISTON ROD / KOLBENSTANGE	d 18	1
5	30.4307-507	0	KROUZEK / RING / RING	TR 32 x 3	1
6	30.4307-508	0	PRUŽINA / SPRING / FEDER	2.5x23x38x6.5	1
7	95.800.006	0	KROUZEK POJIST.VNEJS / OUTSIDE SAFETY RING / SICHERUNGSRING AUBEN	POJISTNY KROUZEK 15	1
8	95.700.019	0	POUZDRO / SLEEVE / BÜCHSE	18X25	1
9	96.002.006	0	KROUZEK O DYNAMICKY / DYNAMIC O RING / O-RING DYNAMISCH	12X2	1
10	96.900.004	0	TESNENI KOMBINOVAHE / COMBINATION SEALING / KOMBIDICHTUNG		1

7.66. Váleček / Rolle / Cylinder



NAZEV SESTAVY VALECEK	CISLO SESTAVY 201.W450-020	STROJ H-BV460
	Konstruoval: MUSIL	
	Datum: 16. 09.2010	
	Meritko: 1:2	

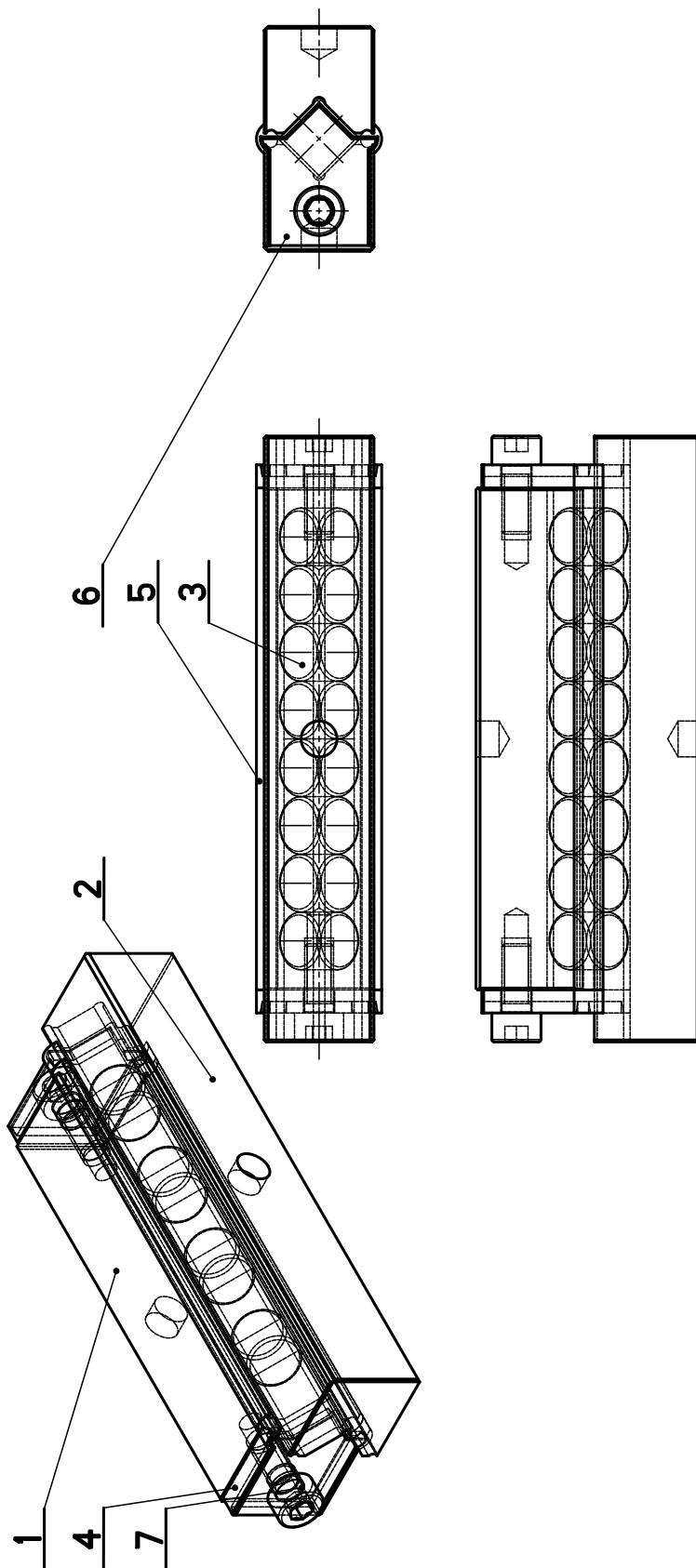
7.67. Kusovník / Stückliste / Piece list –  
Váleček / Rolle / Cylinder

Císlo Sestavy 201.W450-020		Ver. 0		Název sestavy VALEČEK/ROLLER/ROLLE	
Poz.	Objednáací číslo	Ver.	Název položky	Rozměr	Ks
1	30.W350-021	0	DESKA / BOARD / PLATTE	HR 30x15	2
2	30.W350-022	0	PODLOŽKA / WASHER / UNTERLEGSCHEIBE	TR 40x5	2
3	30.W350-023	0	HRIDEL / SHAFT / WELLE	D30	1
4	30.W350-025	0	DESKA / BOARD / PLATTE		2
5	30.W450-024	0	VALEC / ROLLER / ZYLINDER	TR 60x6	1
6	90.001.25.036	0	SROUB IMBUS / ALLEN HEAD BOLT / IMBUSSCHRAUBE	M8X40	4
7	95.001.009	0	LOŽISKO / BEARING / LAGER	6006 ZRS	2

Císlo Sestavy/Number of assembly/Nummer der Baugruppe; Verze (Ver.)/Version/Version; Název sestavy/Assembly title/Name der Baugruppe; Pozice (Poz.)/Position/Position;  
Objednáací číslo/Purchase order number/Bestellnummer; Název položky/Volume title/Name der Position; Rozměr/Stock size/Abmessung

## 7.68. Vedení lineární / Lineare führung / Linear Guide

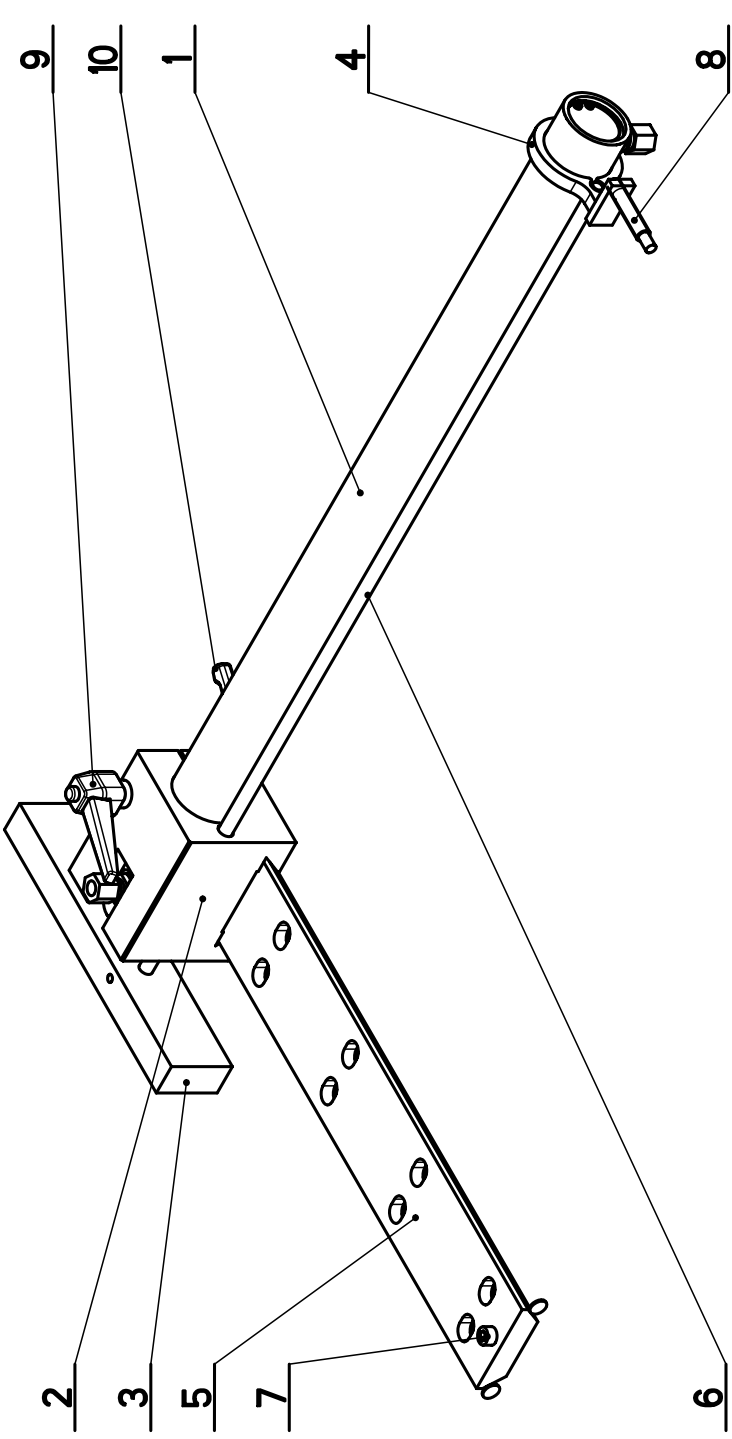
Císlo Sestavy 201.2911-200	Ver. 0	Název sestavy VEDENÍ LINEÁRNÍ / LINEAR GUIDE / LINEARE FÜHRUNG			
Poz.	Objednávací číslo	Ver.	Název položky	Rozměr	Ks
1	30.2911-201	0	LISTA / TRIM / LEISTE	HR 20x20	1
2	30.2911-202	0	LISTA / TRIM / LEISTE	HR 20x20	1
3	30.4311-203	0	VALEČEK / CYLINDER / ROLLE	d 10	8
4	31.2911-204	0	STERAC / WIPER / ABSTREIFER	PLAST. VYLISEK	2
5	31.2911-205	0	PRACHOVKA / DUST COVER / STAUBSCHUTZ	VYLISEK PLAST	2
6	81.2911-206	0	PRILOŽKA / STRAP / LASCHE	P 2 - 19.7	2
7	90.001.25.008	0	SROUB IMBUS / ALLEN HEAD BOLT / IMBUSSCHRAUBE	M5X12	2

Císlo Sestavy/Number of assembly/Nummer der Baugruppe; Verze (Ver.)/Version/Version; Název sestavy/Assembly title/Name der Baugruppe; Pozice (Poz.)/Position/Position;  
Objednávací číslo/Purchase order number/Bestellnummer; Název položky/Volume title/Name der Position; Rozměr/Stock size/Abmessung

### 7.69. Upínání horní / Spannvorrichtung Oben / Top clamp

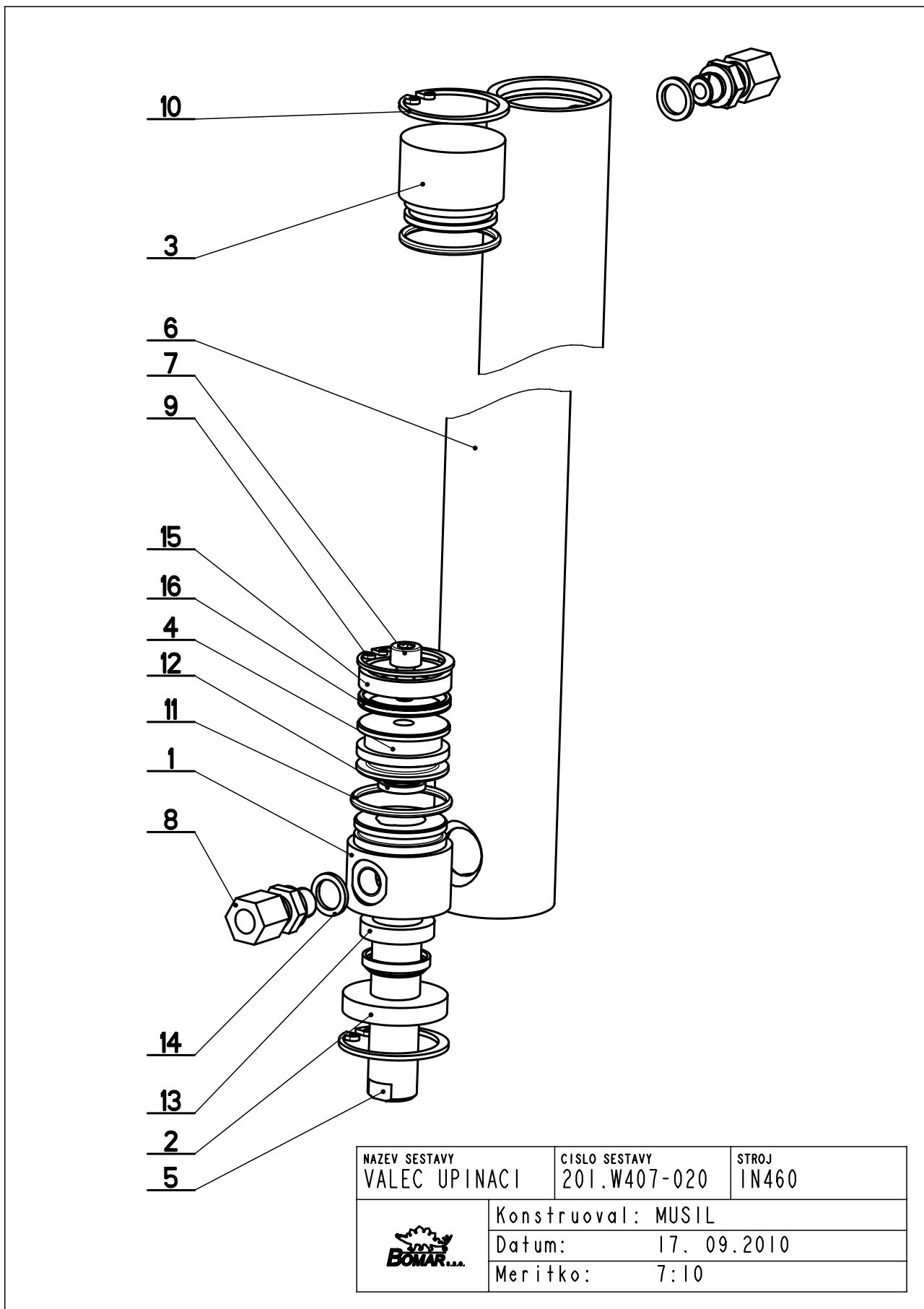
Cislo Sestavy 201.W450-130		Ver. 0	Nazev sestavy UPINANI HORNÍ / TOP CLAM / SPANNVORRICHTUNG OBEN		
Poz.	Objednací číslo	Ver.	Nazev položky	Rožmer	Ks
1	201.W407-020	0	VALEC UPINACÍ / FIXING CYLINDER / SPANNZYLINDER		1
2	30.W350-132	0	KLUZAK / GLIDER / GLEITER	HR 70x70	1
3	30.W350-133	0	DESKA / BOARD / PLATTE	HR 40x20	1
4	30.W350-136	0	DRZAK / HOLDER / HALTER		1
5	30.W450-131	0	LISTA / TRIM / LEISTE	HR 60x15	1
6	30.W450-134	0	TYC VODICI / LEAD POLE / FÜHRUNGSSTANGE	D 8	1
7	90.001.25.015	0	SROUB IMBUS / ALLEN HEAD BOLT / IMBUSSCHRAUBE	M6X10	2
8	91.172.001	0	SPINAC / SWITCH / SCHALTER	BES M08M1	1
9	94.008.006	0	PAKA UPINACÍ / ATTACHMENT LEVER / SPANNHEBEL	M10	1
10	94.008.015	0	PAKA UPINACÍ / ATTACHMENT LEVER / SPANNHEBEL		1

The diagram shows an exploded view of the top clamp assembly. Callout 1 points to the main horizontal beam. Callout 2 points to the mounting bracket. Callout 3 points to the glider. Callout 4 points to the attachment lever. Callout 5 points to the trim piece. Callout 6 points to the lead pole. Callout 7 points to the Allen head bolt. Callout 8 points to the switch. Callout 9 points to the attachment lever. Callout 10 points to the fixing cylinder.

Cislo Sestavy/Number of assembly/Nummer der Baugruppe; Verze (Ver.)/Version/Version; Nazev sestavy/Assembly title/Name der Baugruppe; Pozice (Poz.)/Position/Position;  
Objednací číslo/Purchase order number/Bestellnummer; Nazev položky/Volume title/Name der Position; Rožmer/Stock size/Abmessung

7.70. Válec upínací / Spannzyylinder / Fixing cylinder



7.71. Kusovník / Stückliste / Piece list –  
Válec upínací / Spannzyylinder / Fixing cylinder

Císlo Sestavy 201.W407-020		Název sestavy VALEC UPÍNAČI/FIXING CYLINDER/SPANNZYINDER			
Poz.	Objednávací číslo	Ver.	Název položky	Rozměr	Ks
1	30.6807-103	0	VIKO / COVER / DECKEL	TYC 35	1
2	30.6807-104	1	VIKO / COVER / DECKEL	TYC 35	1
3	30.6807-105	0	VIKO / COVER / DECKEL	TYC 35	1
4	30.6807-106	0	PIST / PISTON / KOLBEN	TYC 32	1
5	30.W307-022	0	PISTNICE / PISTON ROD / KOLBENSTANGE	d 16 f8	1
6	30.W407-021	0	VALEC UPÍNAČI / FIXING CYLINDER / SPANNZYINDER	TR 40/30	1
7	90.001.25.016	0	SROUB IMBUS / ALLEN HEAD BOLT / IMBUSSCHRAUBE	M6X12	1
8	92.002.102	0	SROUBENI PRIME / DIRECT BOLTING / GERADE VERSCHRAUBUNG	S-GEV-8LLR	2
9	95.801.002	0	KROUZEK POJIST.VNITR / INSIDE SAFETY RING / SICHERUNGSRING INNEN	POJISTNY KROUZEK 30	1
10	95.801.026	0	KROUZEK POJIST.VNITR / INSIDE SAFETY RING / SICHERUNGSRING INNEN	POJISTNY KROUZEK 34	2
11	96.001.008	0	KROUZEK O STATICKY / STATIC O RING / O-RING STATISCH	26X2	2
12	96.002.006	0	KROUZEK O DYNAMICKY / DYNAMIC O RING / O-RING DYNAMISCH	12X2	1
13	96.041.001	0	TESNENI / SEALING / DICHTUNG	d16	1
14	96.082.001	0	TESNENI / SEALING / DICHTUNG	KROUZEK CU 10/14	2
15	96.084.002	0	KROUZEK VODICI / LEAD RING / FÜHRUNGSRING	D 30	1
16	96.900.007	0	TESNENI KOMBINOVA NE / COMBINATION SEALING / KOMBIDICHTUNG		1
17		0	/ /		1

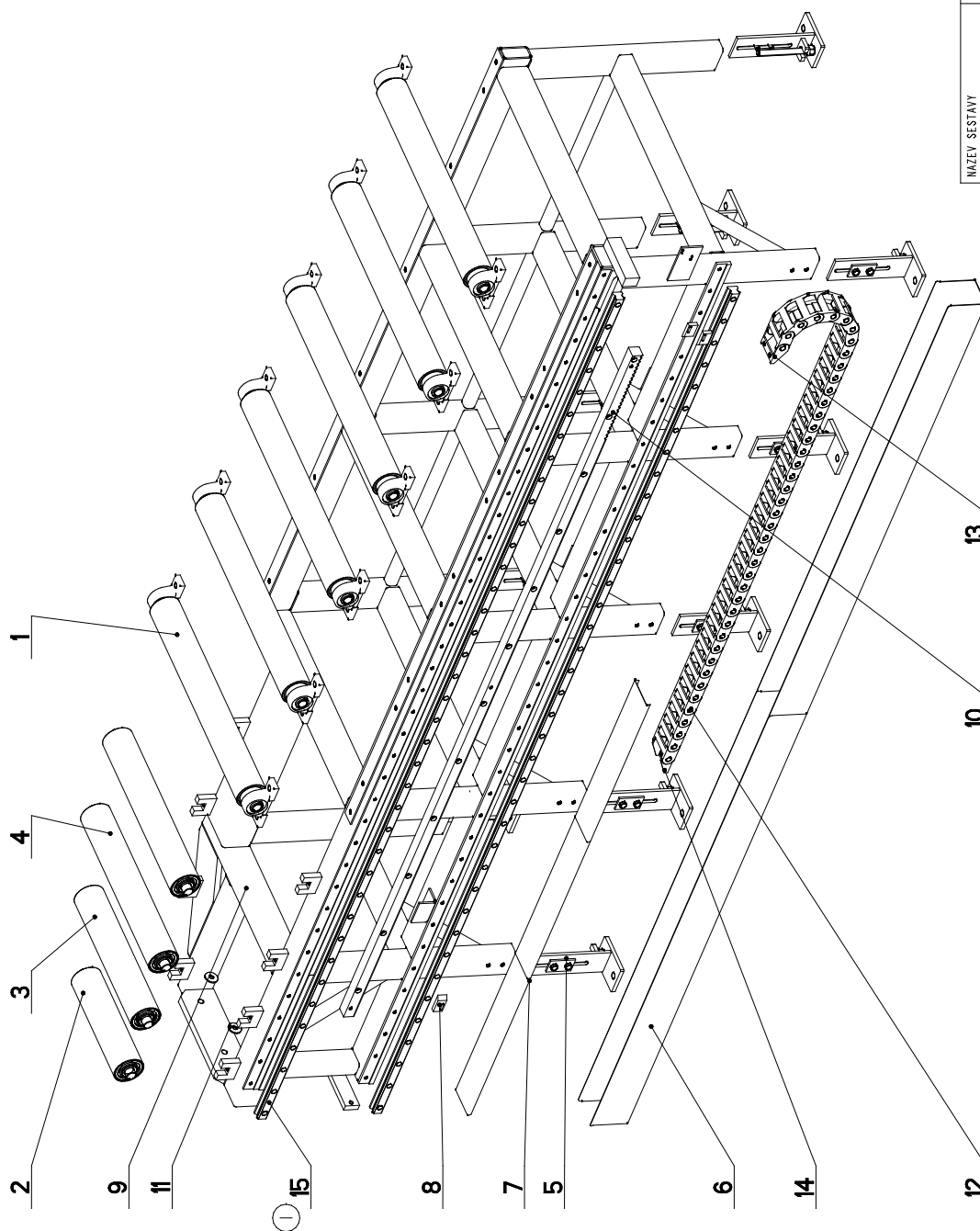
Císlo Sestavy/Number of assembly/Nummer der Baugruppe; Verze (Ver.)/Version/Version; Název sestavy/Assembly title/Name der Baugruppe; Pozice (Poz.)/Position/Position;  
Objednávací číslo/Purchase order number/Bestellnummer; Název položky/Volume title/Name der Position; Rozměr/Stock size/Abmessung






Trat' /  
Bahn /  
Track

## 7.72. Trať / Bahn / Track



NAZEV SESTAVY TRAT	CÍSLO SESTAVY 201.W460-000	STROJ PR0819
		Konstruoval: MUSIL
		Datum: 03. 05. 2012
		Meritko: 1:10

### 7.73. Kusovník / Stückliste / Piece list – Trať / Bahn / Track

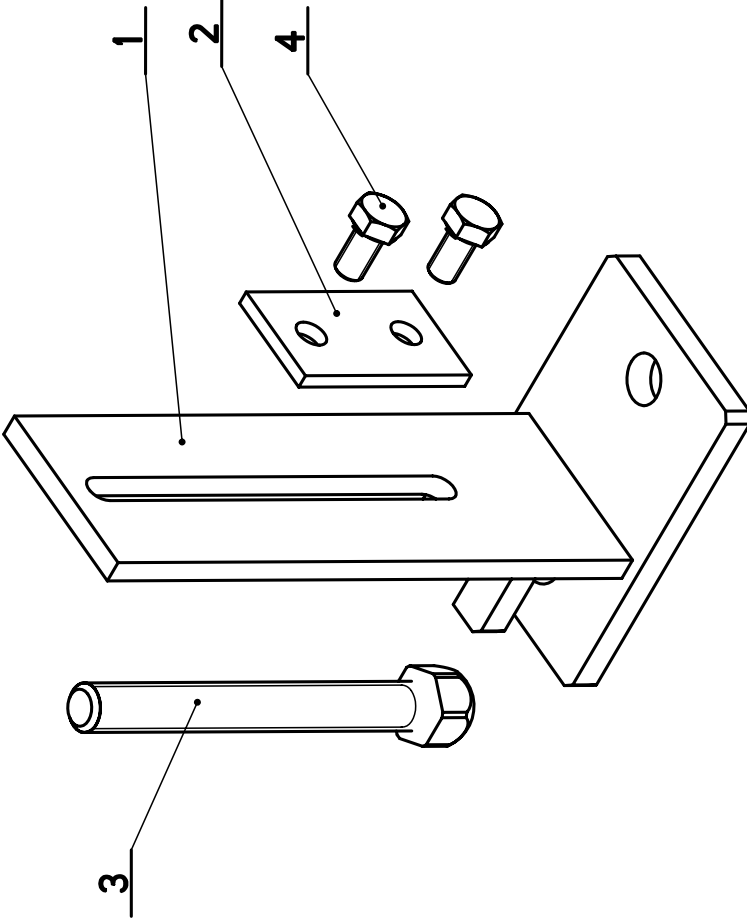
Císlo Sestavy 201.W460-000		Ver. 1		Název sestavy TRAT/TRACK/BAHN	
Poz.	Objednací číslo	Ver.	Název položky	Rozměr	Ks
1	201.I517-520	0	VALEC / ROLLER / ZYLINDER		6
2	201.W370-010	0	VALECEK / CYLINDER / ROLLE		1
3	201.W370-020	0	VALECEK / CYLINDER / ROLLE		1
4	201.W370-030	0	VALECEK / CYLINDER / ROLLE		2
5	201.W460-005	0	NOHA / LEG / STÄNDER		10
6	30.I503-511	0	KORYTO / CHANNEL / RINNE	P 2x297	2
7	30.I503-515	1	VÍKO / COVER / DECKEL	P 1,5x108	3
8	30.E462-006	0	DORAZ / STOP PIECE / ANSCHLAG	TYC25x10	3
9	30.W460-001	0	TRAT / TRACK / BAHN		1
10	30.W460-002	0	HREBEN / COMB / KAMM	OZ.TYC30x30_3000	1
11	90.151.50.001	0	PODLOZKA / WASHER / UNTERLEGSCHLEIBE	PODLOZKA 10	2
12	99.170.012	0	RETEZ ENERGI / ENERGY BELT / ENERGIEKETTE	MP 3002	41
13	99.171.013	0	KONCOVKA / END / ENDSTÜCK		1
14	99.171.014	0	KONCOVKA / END / ENDSTÜCK		1
15	99.200.275 (1)	0	VEDENÍ LINEARNÍ / LINEAR GUIDE / LINEARE FUHRUNG	MSA 30R 3000 20/20N	2

I.ZRUS.LINEARNI VEDENI(HIWIN) 99.200.062 A NAHR. 99.200.275(PMI). 056/ZMI46 3.5.2012 SLEZACKOVA

Císlo Sestavy/Number of assembly/Nummer der Baugruppe; Verze (Ver.)/Version/Version; Název sestavy/Assembly title/Name der Baugruppe; Pozice (Poz.)/Position/Position;  
Objednací číslo/Purchase order number/Bestellnummer; Název položky/Volume title/Name der Position; Rozměr/Stock size/Abmessung

## 7.74. Noha / Ständer / Leg

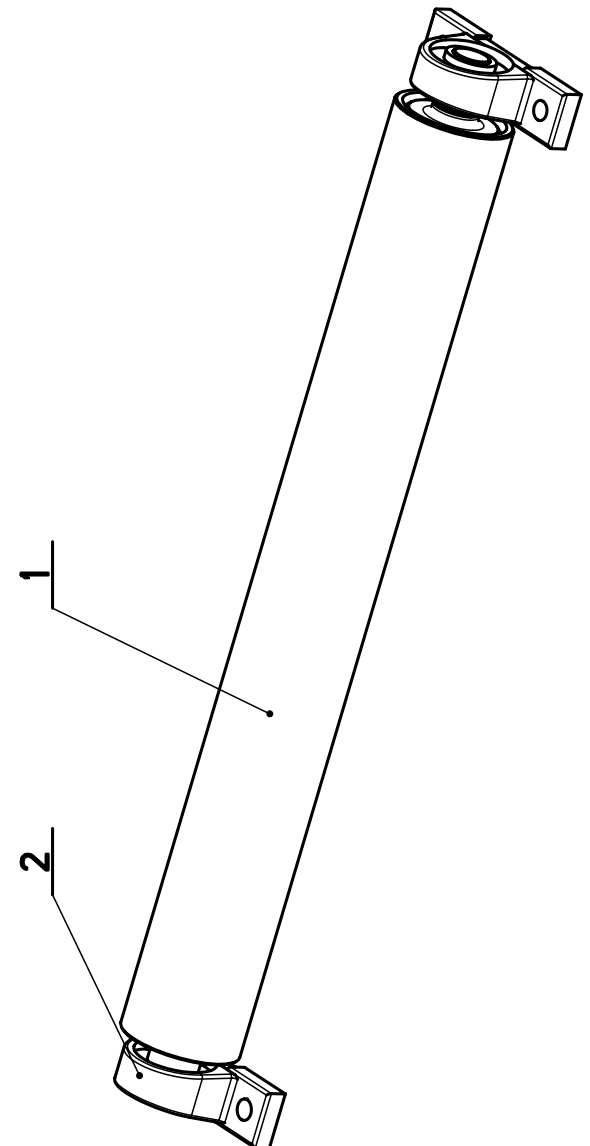
Císlo Sestavy 201.W460-005	Ver. 0	Název sestavy NOHA/LEG/STÄNDER			
Poz.	Objednací číslo	Ver.	Název položky	Rozměr	Ks
1	30.1515-690	0	NOHA / LEG / STÄNDER		1
2	30.1515-681	0	PRÍLOŽKA / STRAP / LASCHE	HR 40x5	1
3	31.1514-102	0	SROUB / BOLT / SCHRAUBE	M 16	1
4	90.005.55.023	0	SROUB 6HRANNÝ / 6 SIDED BOLT / SECHSKANTSCHRAUBE	SROUB M10x20	2

Císlo Sestavy/Number of assembly/Nummer der Baugruppe; Verze (Ver.)/Version/Version; Název sestavy/Assembly title/Name der Baugruppe; Pozice (Poz.)/Position/Position;  
 Objednací číslo/Purchase order number/Bestellnummer; Název položky/Volume title/Name der Position; Rozměr/Stock size/Abmessung

## 7.75. Válec / Zylinder / Roller

Císlo Sestavy 201.1517-520		Ver. 0	Název sestavy VALEC/ROLLER/ZYLINDER		
Poz.	Objednací číslo	Ver.	Název položky	Rozměr	Ks
1	30.1517-502	0	VALEC / ROLLER / ZYLINDER		1
2	95.160.001	0	LOŽISKO / BEARING / LAGER	UCP 205	2

Císlo Sestavy/Number of assembly/Nummer der Baugruppe; Verze (Ver.)/Version/Version; Název sestavy/Assembly title/Name der Baugruppe; Pozice (Poz.)/Position/Position;  
 Objednací číslo/Purchase order number/Bestellnummer; Název položky/Volume title/Name der Position; Rozměr/Stock size/Abmessung