

BOMAR[®]

Operating Instructions for Band Saw

ergonomic 320.250 DGH



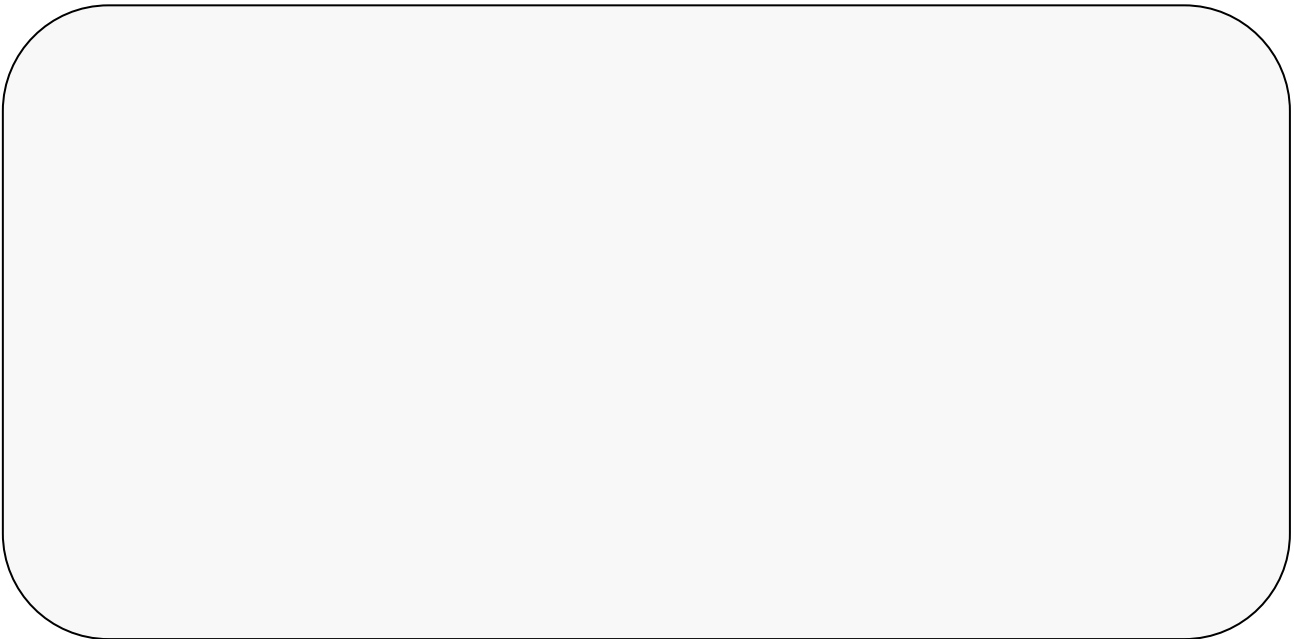
Before transporting and using the machine, please read the instructions thoroughly!

Serial number:



Service and Information

In case of technical difficulties or spare parts order, please contact your dealer:



Or contact Bomar, spol. s r.o. directly:

BOMAR, spol. s r.o.
Těžební 1236/1
62700 Brno
CZECH REPUBLIC

Telephone: +420 – 533 426 100
Fax: +420 – 533 426 109

e-mail: info@bomar.cz
WWW: <http://www.bomar.cz>

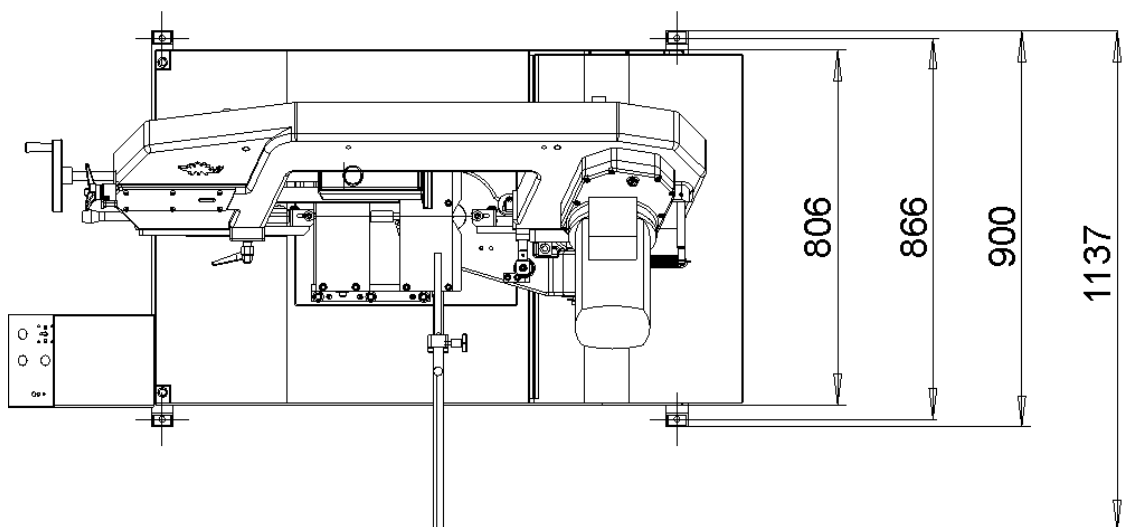
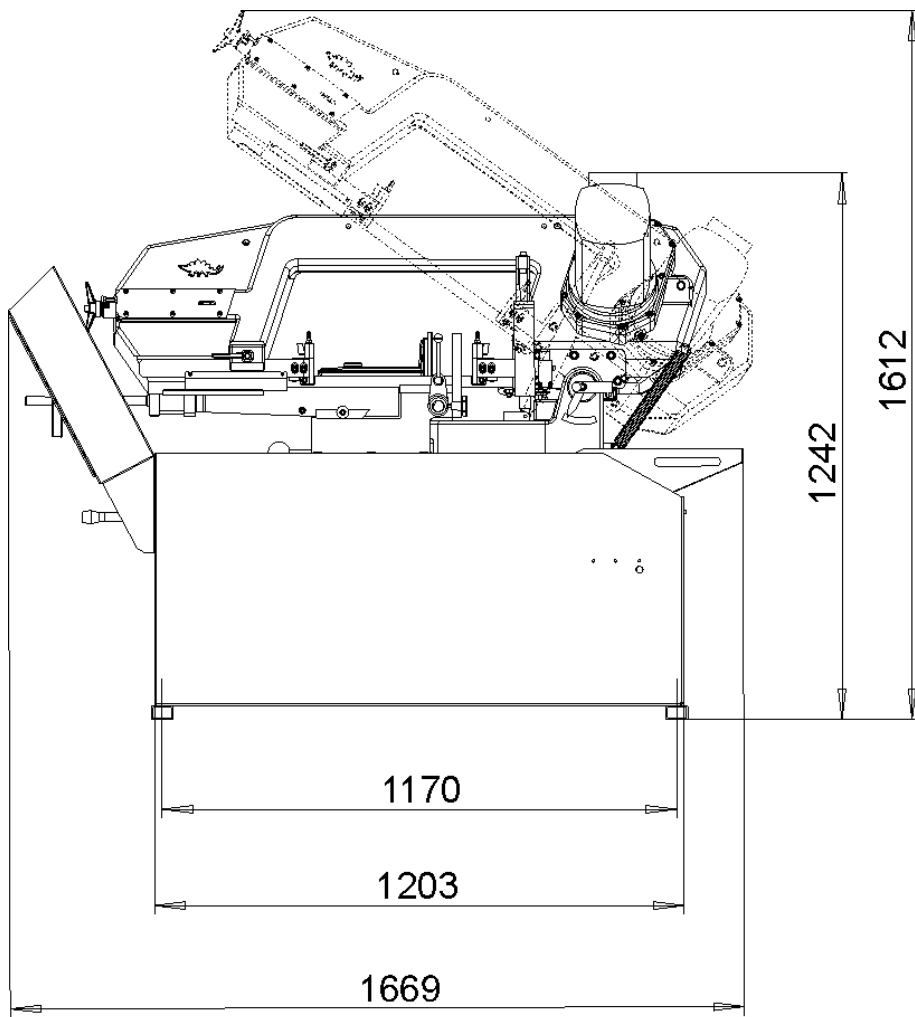
We are available Mondays to Fridays from 7⁰⁰ to 16⁰⁰.

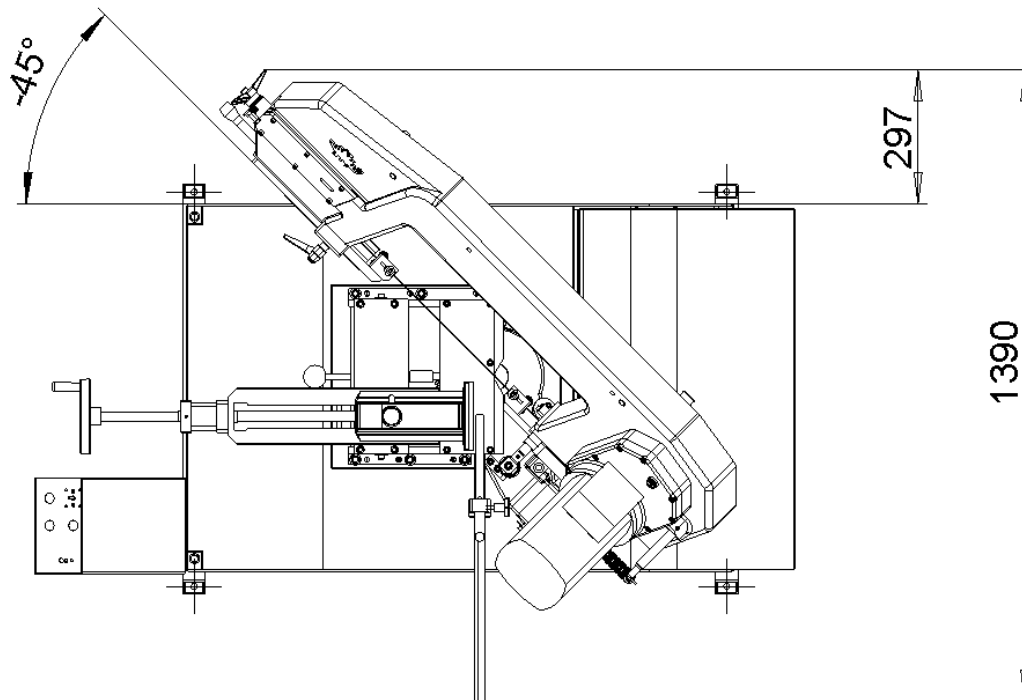
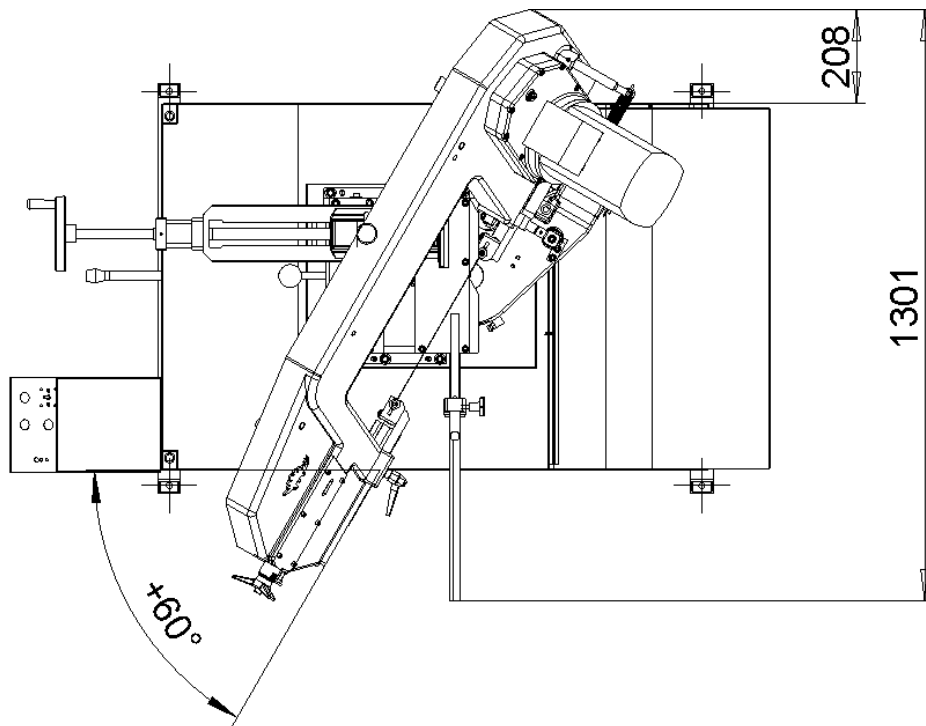
Content

| | |
|--|-----------|
| 1. INTRODUCTION..... | 6 |
| 2. BAND SAW USING | 6 |
| 3. TECHNICAL DATA..... | 7 |
| 4. SAFETY NOTES..... | 8 |
| 4.1. GENERAL | 8 |
| 4.2. PROTECTIVE SUIT AND PERSONAL SAFETY | 8 |
| 4.3. SAFETY NOTES FOR MACHINE OPERATOR..... | 9 |
| 4.4. SAFETY NOTES FOR THE SERVICING AND REPAIRS..... | 11 |
| 4.5. SAFETY MACHINE ACCESSORIES | 11 |
| 5. TRANSPORTATION AND STOCKING | 13 |
| 5.1. CONDITIONS FOR TRANSPORTATION AND STOCKING | 13 |
| 5.2. SAFETY NOTES | 13 |
| 5.3. TRANSPORT AND STOCKING PREPARATIONS | 14 |
| 5.4. TRANSPORT AND STOCKING | 14 |
| 6. ACTIVATION..... | 15 |
| 6.1. MACHINE WORKING CONDITIONS..... | 15 |
| 6.2. BAND SAW UNPACKING AND ASSEMBLING | 15 |
| 6.3. MACHINE INSTALLING AND LEVELLING..... | 17 |
| 6.4. ELECTRICAL CONNECTION | 18 |
| 6.5. FILLING OF THE COOLING SYSTEM..... | 19 |
| 6.6. CHECK MACHINE FUNCTIONS..... | 20 |
| 7. CONTROL PANEL - DESCRIPTION | 21 |
| 8. MATERIAL INSERTION..... | 22 |
| 8.1. SAFETY NOTES | 22 |
| 8.2. HANDLING AGENT SELECTION..... | 22 |
| 8.3. MATERIAL INSERTION..... | 22 |
| 8.4. BUNDLE MATERIAL CUTTING | 23 |
| 9. BAND SAW ADJUSTING..... | 24 |
| 9.1. SAFETY NOTES | 24 |
| 9.2. SETTING OF THE MATERIAL LENGTH | 24 |
| 9.3. ANGULAR CUT SETTING | 25 |
| 9.4. OPTIMAL ADJUSTING OF THE GUIDE CUBES SPAN | 26 |
| 9.5. CUTTING | 26 |
| 10. BLANKS REMOVING FROM THE BAND SAW..... | 27 |
| 10.1. SAFETY NOTES | 27 |
| 10.2. HANDLING AGENT SELECTION..... | 27 |
| 10.3. BLANKS REMOVING | 27 |
| 11. SELECTION AND REPLACEMENT OF THE SAW BAND | 28 |
| 11.1. SAFETY NOTES | 28 |
| 11.2. SAW BAND SIZE..... | 28 |

| | | |
|------------|--|-----------|
| 11.3. | SELECTION OF THE SAW BAND TOOTH SYSTEM:..... | 28 |
| 11.4. | SAW BAND RUNNING - IN..... | 30 |
| 11.5. | SAW BAND DISMANTLING | 31 |
| 11.6. | SAW BAND INSTALLATION | 32 |
| 11.7. | SAW BAND STRETCHING AND INSPECTION | 33 |
| 11.7.1. | <i>Saw band stretching</i> | 33 |
| 11.7.2. | <i>Saw band inspection</i> | 33 |
| 12. | COOLING AGENTS AND CHIPS DISPOSAL | 34 |
| 12.1. | SAFETY NOTES | 34 |
| 12.2. | COOLING LIQUID PREPARATION | 34 |
| 12.3. | COOLANT DEVICE INSPECTION..... | 35 |
| 12.4. | CHIPS DISPOSAL | 36 |
| 13. | GREASES AND OILS | 37 |
| 13.1. | GEARBOX OILS..... | 37 |
| 13.2. | HYDRAULIC OILS | 38 |
| 13.3. | LUBRICANT GREASES | 38 |
| 14. | SERVICE | 39 |
| 14.1. | MACHINE CLEANING | 39 |
| 14.2. | LUBRICATION | 39 |
| 14.3. | COOLING LIQUID INSPECTION | 39 |
| 14.4. | HYDRAULIC OIL LEVEL CHECK..... | 40 |
| 15. | ADJUSTMENT | 41 |
| 15.1. | HARD METAL GUIDES ADJUSTMENT | 41 |
| 15.2. | GUIDE CUBE ADJUSTMENT | 41 |
| 15.3. | SAW BAND RUN ADJUSTMENT ON STRETCHING WHEEL | 42 |
| 15.4. | BRUSH ADJUSTMENT..... | 43 |
| 15.5. | ANGULAR STOPS ADJUSTMENTS | 44 |
| 15.6. | ADJUSTING THE LIMIT SWITCH OF THE SAW BAND STRETCHING..... | 45 |
| 15.7. | SAW FRAME LOWER POSITION STOP ADJUSTMENT | 45 |
| 15.8. | ADJUSTMENT OF THE LIMIT SWITCH OF SAW FRAME LOWER STOP POINT | 46 |
| 15.9. | ADJUSTING OF THE TURNING CONSOLE SECURING LEVER | 47 |
| 15.10. | ADJUSTMENT OF A THROTTLE VALVE | 48 |
| 16. | WORN PIECES REPLACEMENT | 49 |
| 16.1. | HARD METAL GUIDES REPLACEMENT | 49 |
| 16.2. | ROUND BRUSH REPLACEMENT | 49 |
| 16.3. | SAW BAND GUIDING ROLLERS REPLACEMENT..... | 50 |
| 16.4. | STRETCHING WHEEL REPLACEMENT | 51 |
| 16.5. | DRIVING WHEEL REPLACEMENT | 53 |
| 16.6. | COOLING PUMP REPLACEMENT | 55 |
| 17. | ROZMĚROVÉ SCHÉMA / AUFSTELLZEICHNUNG / INSTALLATION DIAGRAM | 58 |
| 17.1. | ROZMĚROVÉ SCHÉMA 1 / AUFSTELLZEICHNUNG 1 / INSTALLATION DIAGRAM 1..... | 58 |
| 17.2. | ROZMĚROVÉ SCHÉMA 2 / AUFSTELLZEICHNUNG 2 / INSTALLATION DIAGRAM 2..... | 59 |
| 18. | ELEKTRICKÁ SCHÉMATA / ELEKTROSCHEMAS / WIRING DIAGRAMS | 60 |
| 18.1. | ELEKTRICKÉ SCHÉMA / ELEKTROSCHEMA / WIRING DIAGRAM 1 | 60 |
| 18.2. | ELEKTRICKÉ SCHÉMA / ELEKTROSCHEMA / WIRING DIAGRAM 2 | 61 |
| 18.3. | ELEKTRICKÉ SCHÉMA / ELEKTROSCHEMA / WIRING DIAGRAM 3 | 62 |

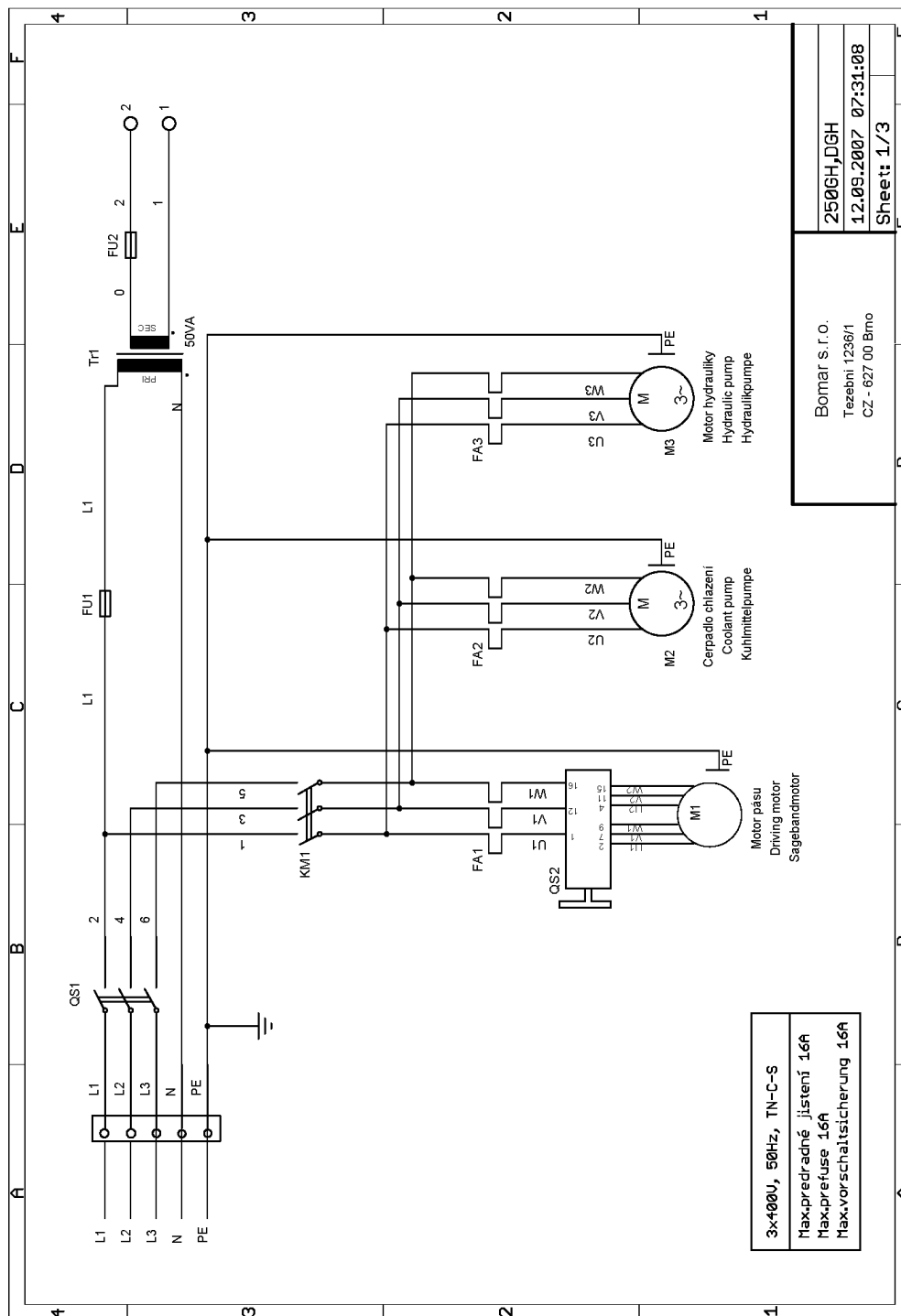
| | |
|---|------------|
| 19. HYDRAULICKÁ SCHÉMATA / HYDRAULIKSCHEMA / HYDRAULIC DIAGRAM..... | 64 |
| 20. VÝKRESY SESTAV PRO OBJEDNÁNÍ NÁHRADNÍCH DÍLŮ / ZEICHNUNGEN FÜR BESTELLUNG DER ERSATZTEILE / DRAWING ASSEMBLIES FOR SPARE PARTS ORDER | 67 |
| 20.1. SVĚRÁK / SCHRAUBSTOCK / VICE | 68 |
| 20.2. DORAZ / ANSCHLAG / LENGTH STOP..... | 70 |
| 20.3. UPÍNACÍ VÁLEC / SPANNZYLINDER / CLAMPING CYLINDER - 251.038..... | 72 |
| 20.4. OTOČNÁ KONZOLA / GEHRUNGSKONSOLE / TURNING CONSOLE | 74 |
| 20.5. RAMENO A POHON / SÄGERAHMEN UND ANTRIEB / SAW ARM AND DRIVE - 251.180 | 76 |
| 20.6. NAPÍNÁNÍ PILOVÉHO PÁSU / SÄGEBANDSPANNUNG / SAW BAND STRETCHING | 80 |
| 20.7. VEDENÍ PÁSU / SÄGEBANDFÜHRUNG / SAW BAND GUIDING | 82 |
| 20.8. LEVÁ VODÍCÍ KOSTKA / LINKER FÜHRUNGSKLOTZ / LEFT GUIDING CUBE..... | 84 |
| 20.9. PRAVÁ VODÍCÍ KOSTKA / RECHTER FÜHRUNGSKLOTZ / RIGHT GUIDING CUBE | 86 |
| 20.10. ZVEDACÍ VÁLEC / HUBZYLINDER / LIFTING CYLINDER - 251.231 | 88 |
| 20.11. OVLÁDACÍ PANEL / BEDIENPULT / CONTROL PANEL | 90 |
| 20.12. CHLAZENÍ / KÜHLUNG / COOLING | 92 |
| 20.13. KARTÁČEK / SPÄNBÜRSTE / BRUSH..... | 94 |
| 20.14. PRUŽINY / FEDERN / SPRINGS..... | 96 |
| 21. TROUBLESHOOTING TABLE | 98 |
| 22. SPECIAL ACCESSORY..... | 101 |
| 22.1. VICE PRESSURE REGULATION..... | 101 |
| 22.2. FREQUENCY CONVERTER..... | 101 |
| 22.3. MICRONISER..... | 101 |
| 22.4. TENZOMAT | 101 |
| 23. ROLLER CONVEYORS AND ACCESSORIES..... | 102 |
| 23.1. ROLLER CONVEYORS OF M TYPE | 102 |
| 23.1.1. <i>Roller conveyors</i> | 102 |
| 23.1.2. <i>Length stops</i> | 103 |
| 23.1.3. <i>Feeding machines</i> | 104 |
| 23.1.4. <i>Connection parts</i> | 104 |
| 23.1.5. <i>Connection sets</i> | 104 |
| 23.1.6. <i>Accessories of roller conveyors</i> | 105 |
| 23.1.7. <i>Connection schema of the roller conveyors to the band saw</i> | 106 |
| 23.2. ROLLER CONVEYORS OF D TYPE..... | 109 |
| 23.2.1. <i>Roller conveyors</i> | 109 |
| 23.2.2. <i>Length stops</i> | 109 |
| 23.2.3. <i>Feeding machines</i> | 110 |
| 23.2.4. <i>Connection parts</i> | 110 |
| 23.2.5. <i>Connection sets</i> | 111 |
| 23.2.6. <i>Accessories of roller conveyors</i> | 111 |
| 23.2.7. <i>Connection schema of the roller conveyors to the band saw</i> | 112 |
| DECLARATION OF CONFORMITY | 115 |

17. Rozměrové schéma / Aufstellzeichnung / Installation diagram

17.1. Rozměrové schéma 1 / Aufstellzeichnung 1 / Installation diagram 1



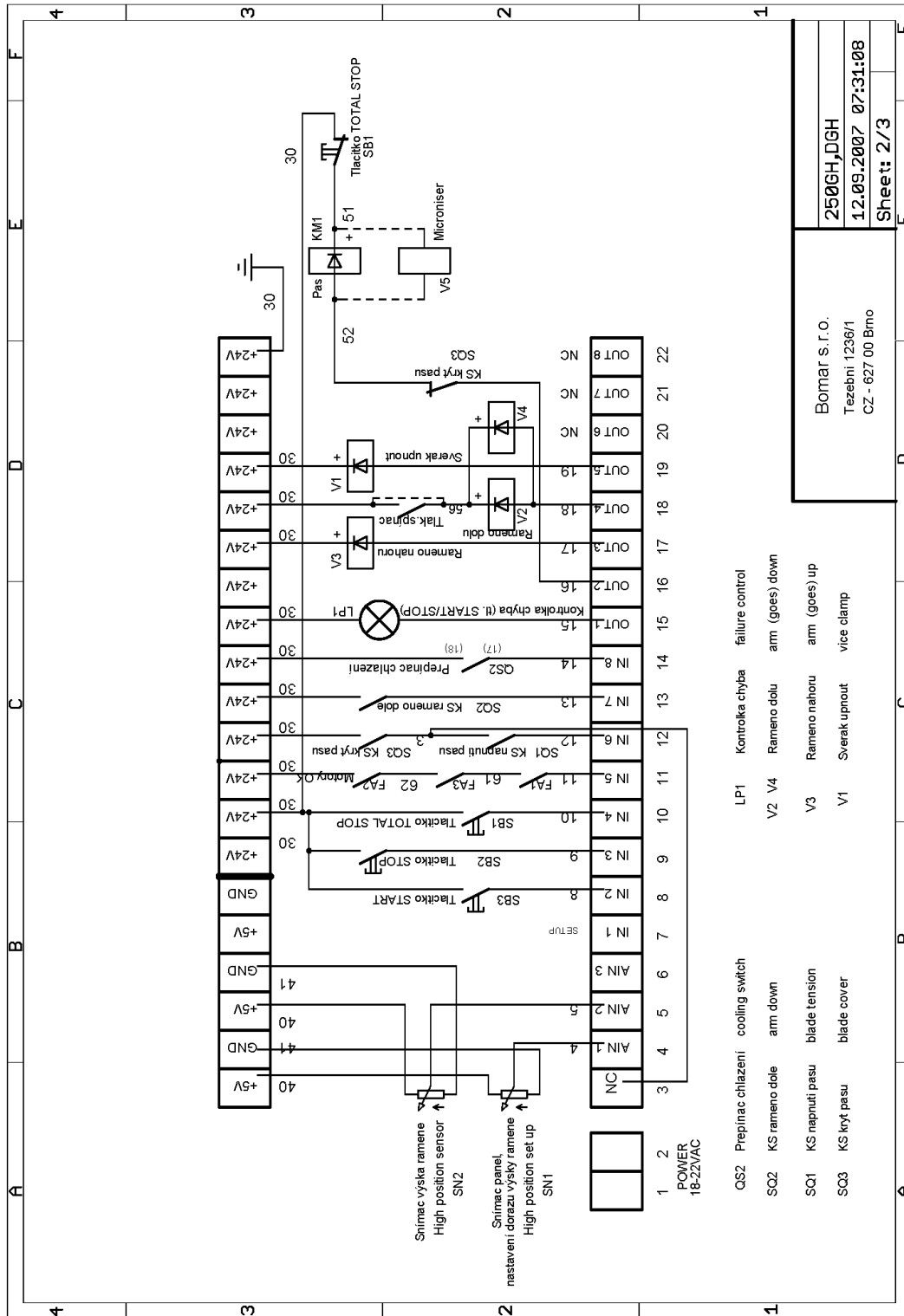
17.2. Rozměrové schéma 2 / Aufstellzeichnung 2 / Installation diagram 2

18. Elektrická schémata / Elektroschemas / Wiring diagrams



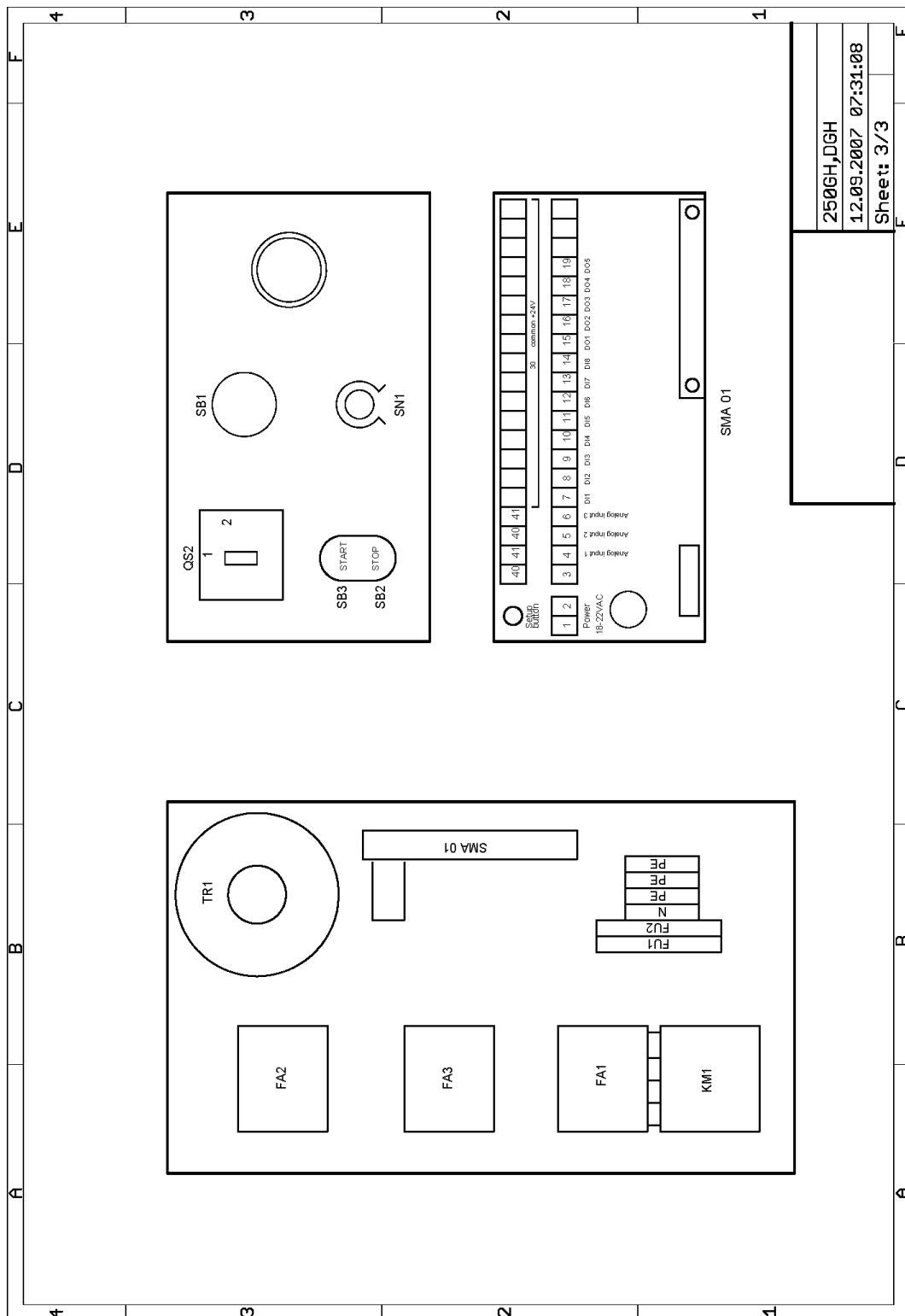
12.09.2007 07:31:25 C:\Program Files\EAGLE-4.15\projects\Bomar\250GH\250GH,DGH.sch (Sheet: 1/3)

18.1. Elektrické schéma / Elektroschema / Wiring diagram 1



12.09.2007 07:31:25 C:\Program Files\EAGLE-4.15\projects\Bomar\250GH\250GH,DGH.sch (Sheet: 2/3)

18.2. Elektrické schéma / Elektroschema / Wiring diagram 2



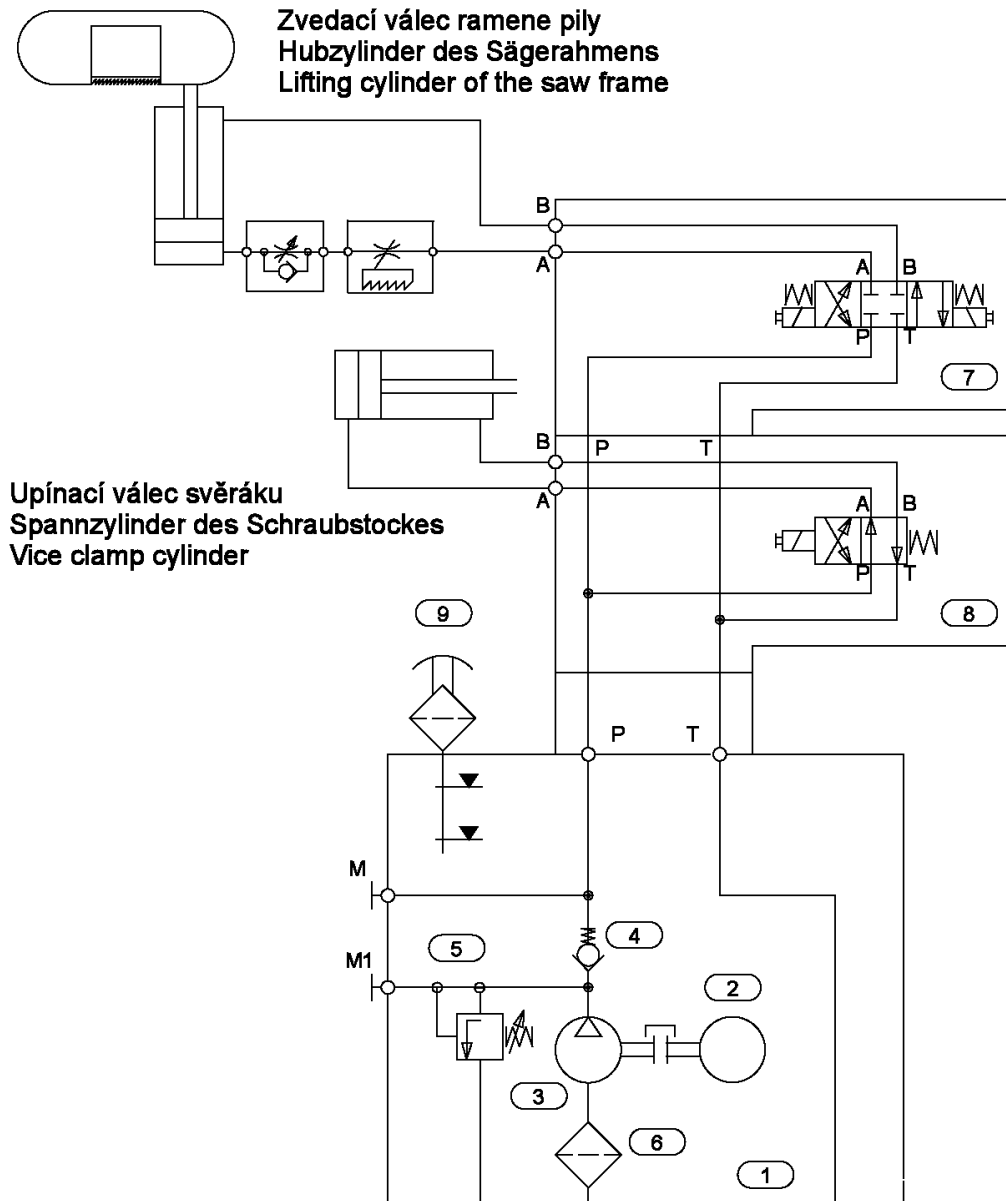
12.09.2007 07:31:25 C:\Program Files\EAGLE-4.15\projects\Bomar\250GH\250GH,DGH.sch (Sheet: 3/3)

18.3. Elektrické schéma / Elektroschema / Wiring diagram 3

| Objednací číslo | Název položky | | Ozn. | ks |
|-----------------|---|------------------|----------|-------|
| Bestell - Nr. | Bezeichnung | | Signatur | Menge |
| Reference No. | Item | | Sign. | Pcs. |
| 91.001.007 | Elektromotor / Elektromotor / Electromotor | TM902/4 B5 | M1 | 1 |
| 91.020.006 | Čerpadlo chlazení / Kühlmittelpumpe / Coolant pump | 3COA2-22H | M2 | 1 |
| 91.040.003 | Stykač / Schaltschütz / Contactor | 9A 24Vss | KM | 1 |
| 91.050.003 | Relé tepelné / Überstromrelais / Temperature relay | 0.26-0.43A | FA2 | 1 |
| 91.050.009 | Relé tepelné / Überstromrelais / Temperature relay | 3.0-4.7A | FA1 | 1 |
| 91.050.005 | Relé tepelné / Überstromrelais / Temperature relay | 0.65-1.00A | FA3 | 1 |
| 91.060.012 | Hlavice total stop / Total stop taste / Total stop button | ZB5AS844 | SB1 | 1 |
| 91.061.006 | Kontakt rozp.+adapt. / Ausschaltkontakt / Contact expand. + adapt. | ZB5AZ102 | SB1 | 1 |
| 91.170.003 | Spínač vačkový / Schalter / Cam switch | 194L-E16-1753 | QS1 | 1 |
| 91.180.001 | Deska spínače černá / Schalterplatte – schwarz / Switch black board | 194L-HE4E-175 | QS1 | 1 |
| 91.171.006 | Spínač vačkový / Schalter / Cam switch | S10-60129 | QS2 | 1 |
| 91.080.004 | Trafo / Trafo / Transformer | 50VA 400.230/24V | TR1 | 1 |
| 91.173.012 | Spínač konc.-zámek / Endschalter / Limit switch-lock | ELF | SQ3 | 1 |
| 91.173.007 | Spínač koncový / Endschalter / Limit switch | Pizzato | SQ1,2 | 2 |
| 91.230.001 | Pojistka / Röhrensicherung / Fuse | 2A | FU1 | 1 |
| 91.190.004 | Krabice elektro / Buchse / Cross | LUCA 00851 | | 1 |
| 265.908 | Řídící deska / Führungsplatte / Controlling plate | SMA 01 | | 1 |
| 262.005 | Snímač polohy ramene / Rahmenlagesensor / Saw arm sensor | | | 1 |
| 91.230.015 | Pojistka / Röhrensicherung / Fuse | 4A | FU2 | 1 |
| 91.280.004 | Dioda / Diode / diode | 1N4007 | D | 5 |

19. Hydraulická schémata / Hydraulikschemata / Hydraulic diagram

Výstupy "A", "B" - hrdla G1/4" /M14x1,5 bez převlečných matic
 Ausgänge "A", "B" - Stutzen G1/4" /M14x1,5 ohne Überwurfmuttern
 Outputs "A", "B" - sockets G1/4" /M14x1,5 without cap nuts



Základní technické parametry :
 Technische Spezifikation:
 Technical specification:

| | | | | | |
|------------------|-----|------------------------------------|-----|------|-------------------|
| Q | 4,3 | dm ³ ·min ⁻¹ | ot. | 1385 | min ⁻¹ |
| P _{max} | 3 | MPa | P | 0,25 | kW |

Hydraulické schéma:
 Hydraulikschemata:
 Hydraulic diagram:

731-0440

Schéma / Schema / Diagram: 7310440AH0 .DWG
 Datum / Datum / Date: 13. 01. 2003

Hydraulické schéma / Hydraulikschemata / Hydraulic diagram

| Poz. | Název položky | | ks |
|------|--|-------------------------------|-------|
| Pos. | Bezeichnung | | Menge |
| Pos. | Item | | Pcs. |
| 1 | Nádrž / Behälter / Tank | N12B | 1 |
| 2 | Elektromotor / Elektromotor / Electromotor | MA-AL63-4A, 230/400V, 50Hz | 1 |
| 3 | Hydrogenerátor / Hydraulikaggregat / Hydrogenerator | P2-3,3L.66017 | 1 |
| 4 | Jednosměrný ventil / Einwegventil / One-way valve | VJO1-06/SG-1 | 1 |
| 5 | Přepouštěcí ventil / Bypassventil / By pass valve | VPP2-04/S-2 | 1 |
| 6 | Sací filtr / Filter / Filter | 2SF 56/48-0,063 | 1 |
| 7 | Rozváděč / Verteilungsventil / Distributor | RPEK1-033Z11/02400E1K5 | 1 |
| 8 | Rozváděč / Verteilungsventil / Distributor | RPEK1-032R11/02400E1K5 | 1 |
| 9 | Zátka / Stopfen / Stopper | L1.0406-51 | 1 |

**Označení hydraulických hadiček / Bezeichnung der hydraulischen Schlauche
/Indication of hydraulic hose:**

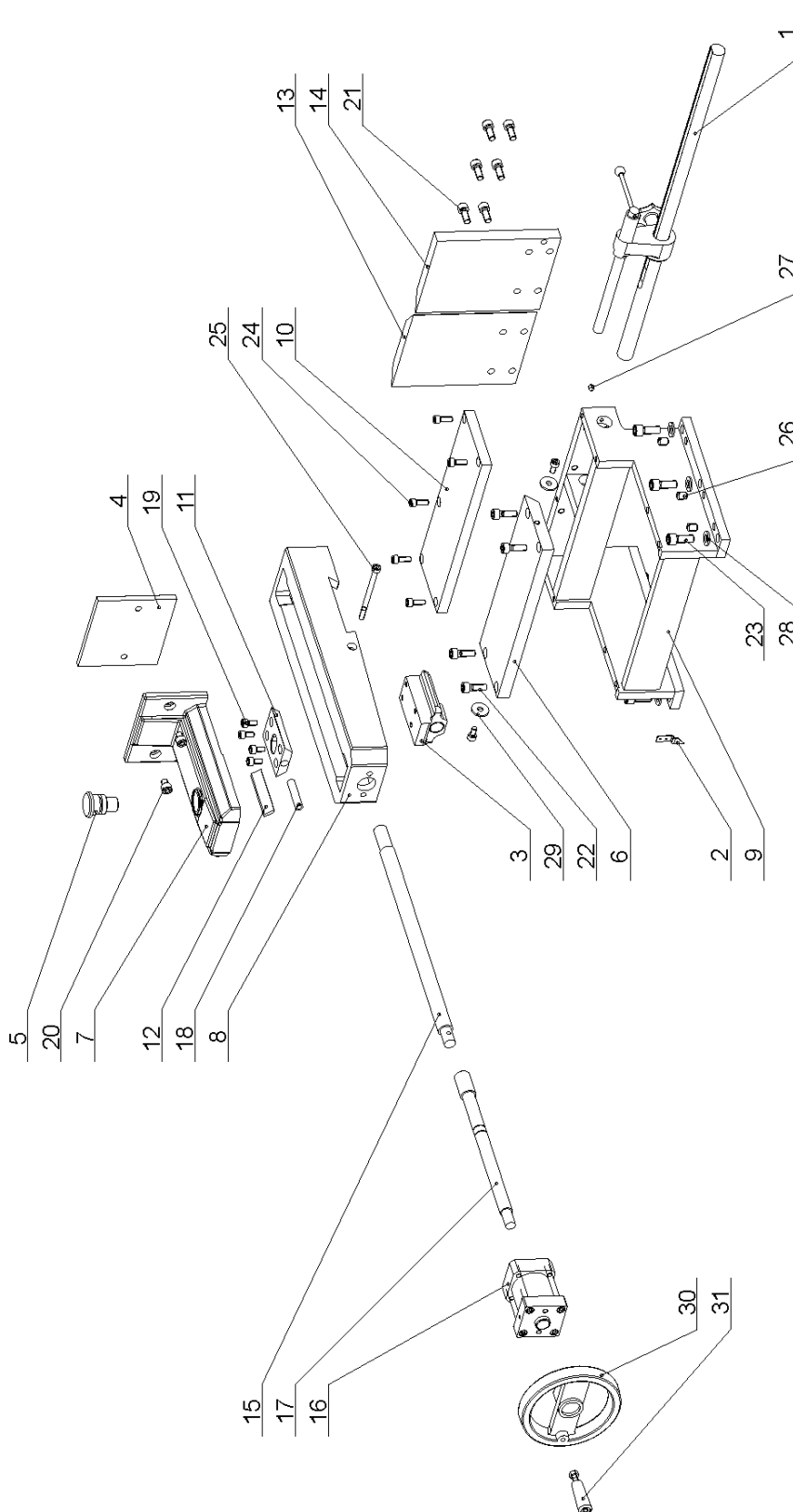
| Hydr. hadice | Hadice | Kování | Konc. A | Konc. B | Konc. C | Konc. D | Konc. E | Konc. F | Kon. G | Ks |
|--------------------|------------|------------|-------------------|------------|------------|------------|------------|------------|------------|-------|
| Hydr. Schlauche | Schlauche | Schmieden | Schlauchtüle A | B | C | D | E | F | G | Menge |
| Hydr. Hose | hose | forging | terminal A | B | C | D | E | F | G | piece |
| 6AG3700 | 42.001.001 | 92.051.001 | 92.052.001 | - | - | - | - | - | 93.012.005 | 1 |
| 6AB1900 | 42.001.001 | 92.051.001 | 92.052.001 | 92.053.001 | - | - | - | - | - | 2 |
| 6BF2300 | 42.001.001 | 92.051.001 | - | 92.053.001 | - | - | - | 93.012.006 | - | 1 |
| 6BG500 | 42.001.001 | 92.051.001 | - | 92.053.001 | - | - | - | - | 93.012.005 | 1 |
| PZ | | | | | | | | | | |
| 6AA3000 | 42.001.001 | 92.051.001 | 92.052.001 | - | - | - | - | - | - | 1 |
| SDR | | | | | | | | | | |
| 6BA1900 | 42.001.001 | 92.051.001 | 92.052.001 | 92.053.001 | - | - | - | - | - | 1 |
| 6BA970 | 42.001.001 | 92.051.001 | 92.052.001 | 92.053.001 | - | - | - | - | - | 1 |
| 6BA4200 | 42.001.001 | 92.051.001 | 92.052.001 | 92.053.001 | - | - | - | - | - | 1 |

20. Výkresy sestav pro objednání náhradních dílů / Zeichnungen für Bestellung der Ersatzteile / Drawing assemblies for spare parts order

Při objednávání náhradních dílů vždy uvádějte: typ stroje (např. STG 120), výrobní číslo (např. 125) a rok výroby (např. 1999).

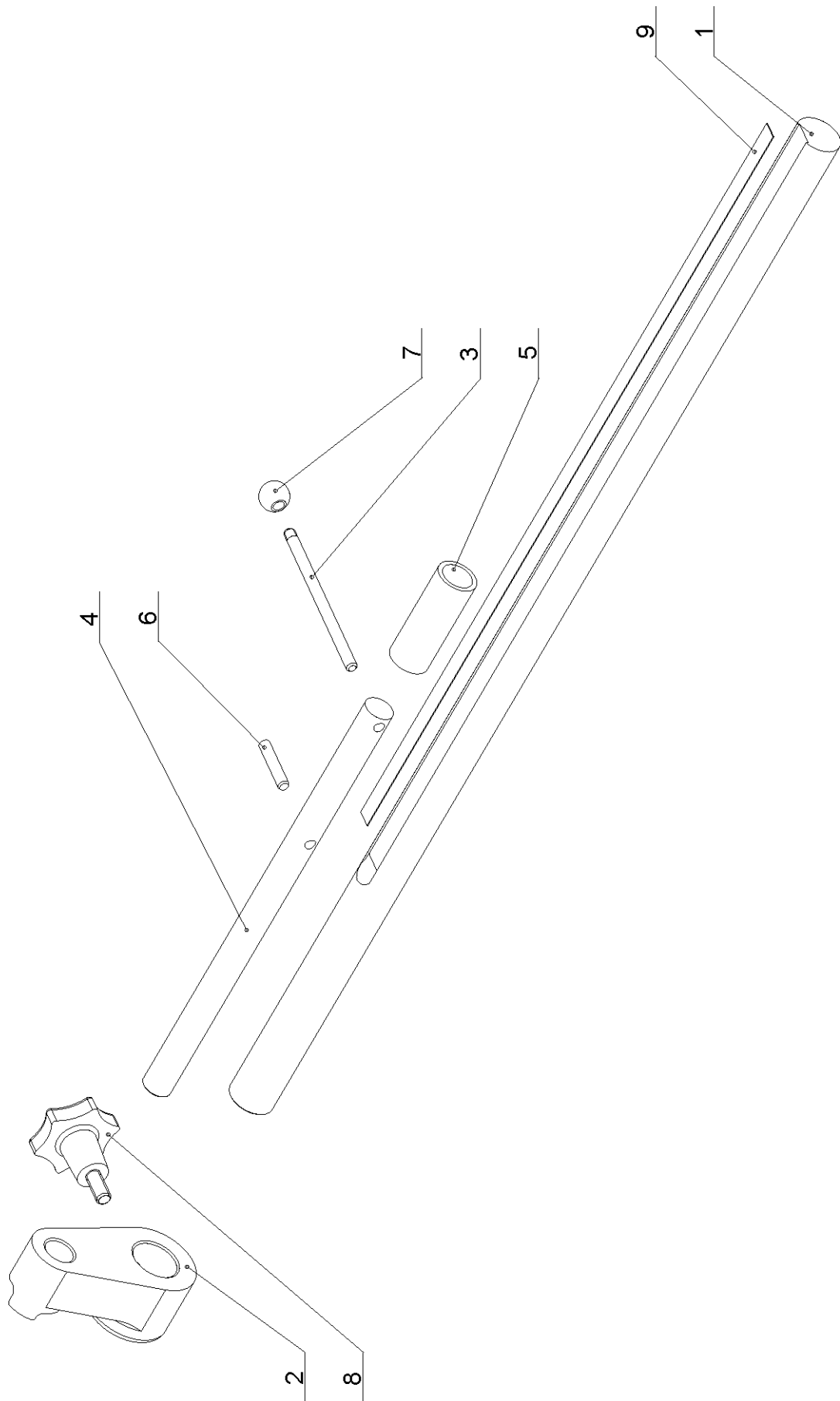
In die Bestellung der Ersatzteile führen Sie immer an:
Maschinentyp (z. B. STG 120), Serien Nr. (z. B. 125) und
Baujahr (z. B. 1999).

For spare parts order, you must always to allege: type of
machine (for example STG 120), serial number (for example 125)
and year of construction (for example 1999).



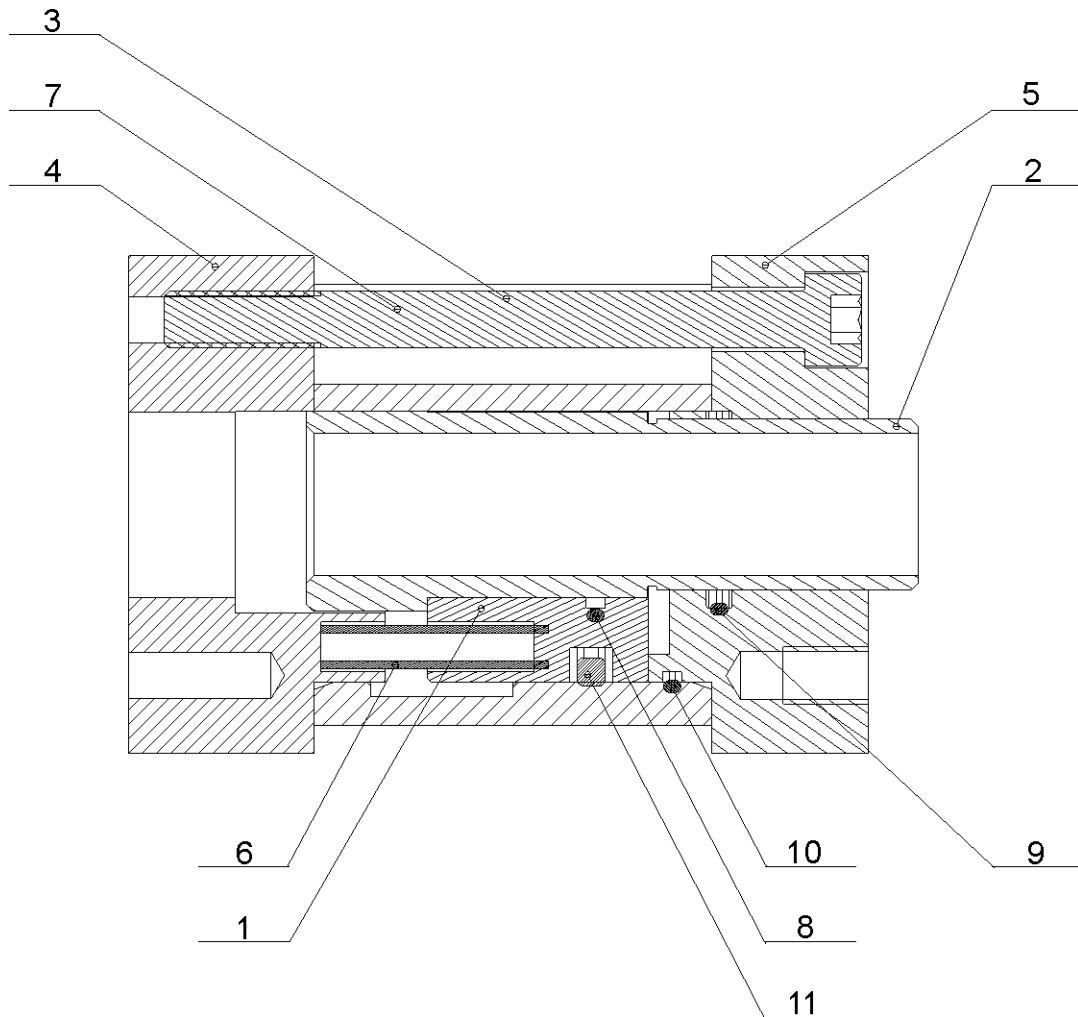
20.1. Svěrák / Schraubstock / Vice

| Poz. | Objednací číslo | Název položky | ks |
|------|---|--|-----------------|
| Pos. | Bestell - Nr. | Bezeichnung | Menge |
| Pos. | Reference No. | Item | Pcs. |
| 1 | Viz. výkres / Siehe Zeichnung / See drawing | Doraz / Anschlag / Length stop | 1 |
| 2 | 30.0703-011 | Ukazatel / Zeiger / Indicator | 1 |
| 3 | 30.0703-015 | Matice / Mutter / Nut | 1 |
| 4 | 30.0703-018 | Čelist / Backe / Jaw | 1 |
| 5 | 30.0903-005 | Čep čelisti / Backenbolzen / Jaw pivot | 1 |
| 6 | 30.1003-006 | Vodící deska / Führungsplatte / Guiding plate | 1 |
| 7 | 30.1003-011 | Čelist / Backe / Jaw | 1 |
| 8 | 30.1003-012 | Svěrák / Schraubstock / Vice | 1 |
| 9 | 30.1003-013 | Konzola / Konsole / Console | 1 |
| 10 | 30.1003-014 | Deska / Platte / Plate | 1 |
| 11 | 30.1003-017 | Vedení / Führung / Guide | 1 |
| 12 | 30.1003-021 | Lišta / Leiste / Listel | 1 |
| 13 | 30.1003-023 | Čelist / Backe / Jaw | 1 |
| 14 | 30.1003-024 | Čelist / Backe / Jaw | 1 |
| 15 | 30.1103-102 | Trapéz / Trapezgewindespindel / Trapezial screw | 1 |
| 16 | 30.3307-000 | Válec / Zylinder / Cylinder | 1 |
| 17 | 30.3307-008 | Prodloužení / Verlängerung / Extension | 1 |
| 18 | 31.1003-016 | Pružina / Feder / Spring | 2.24x12x56x16 |
| 19 | 90.001.25.031 | Šroub / Schraube / Screw | M8x16 DIN 912 |
| 20 | 90.001.25.043 | Šroub / Schraube / Screw | M10x12 DIN 912 |
| 21 | 90.001.25.047 | Šroub / Schraube / Screw | M10x25 DIN 912 |
| 22 | 90.001.25.048 | Šroub / Schraube / Screw | M10x30 DIN 912 |
| 23 | 90.001.25.058 | Šroub / Schraube / Screw | M12x30 DIN 912 |
| 24 | 90.001.25.XXX | Šroub / Schraube / Screw | M8x22 DIN 912 |
| 25 | 90.001.25.XXX | Šroub / Schraube / Screw | M8x100 DIN 912 |
| 26 | 90.002.2D.017 | Šroub / Schraube / Screw | M12x16 DIN 913 |
| 27 | 90.003.2D.010 | Šroub / Schraube / Screw | M8x10 DIN 914 |
| 28 | 90.150.50.007 | Podložka / Scheibe / Washer | Ø13 DIN 125 |
| 29 | 90.151.50.005 | Podložka / Scheibe / Washer | Ø9x28x3 DIN 440 |
| 30 | 94.010.001 | Ruční kolo s krytkou / Handrad / Hand wheel with cover | 1 |
| 31 | 94.010.002 | Rukojeť kompletní / Griff / Handle | 1 |



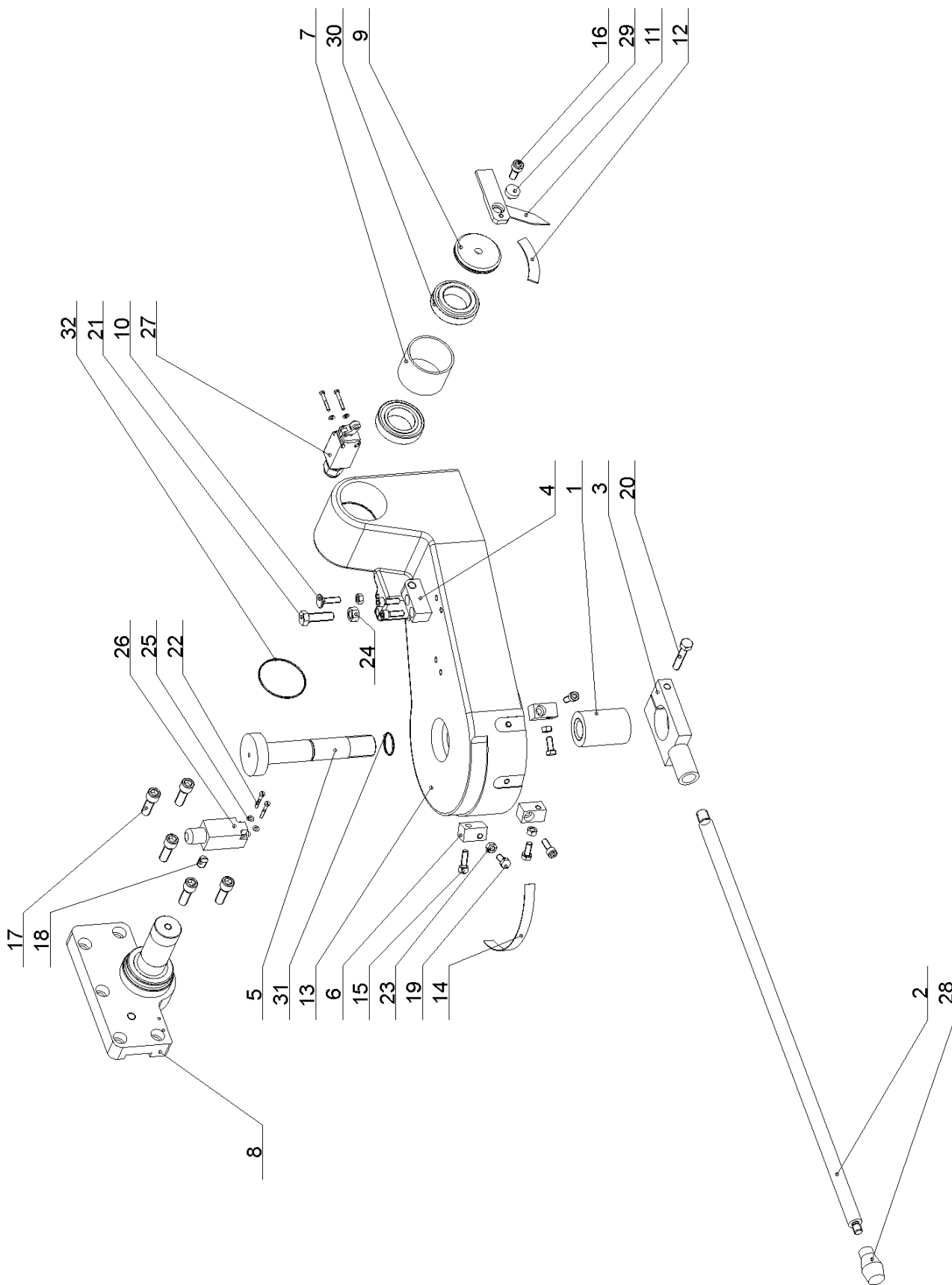
20.2. Doraz / Anschlag / Length stop

| Poz. | Objednací číslo | Název položky | ks |
|------|-----------------|---|-------|
| Pos. | Bestell - Nr. | Bezeichnung | Menge |
| Pos. | Reference No. | Item | Pcs. |
| 1 | 30.0703-010 | Tyč / Stange / Rod | 1 |
| 2 | 30.0703-013 | Těleso dorazu / Anschlagkörper / Length stop body | 1 |
| 3 | 30.0703-016 | Páka dorazu / Anschlagshebel / Length stop lever | 1 |
| 4 | 30.1003-101 | Doraz / Anschlag / Length stop | 1 |
| 5 | 31.0304-013 | Pružina / Feder / Spring 2.5x21.5x60x7 | 1 |
| 6 | 90.300.0Z.006 | Válcový kolík / Zylinderstift / Cylindrical pin 6x32 DIN 6325 | 1 |
| 7 | 94.001.001 | Rukojeť / Griff / Handle M6 | 1 |
| 8 | 94.006.001 | Hvězdice / Stern / Star M8x17 | 1 |
| 9 | 99.120.001 | Pravítko / Skalenbandmaß / Straight edge 0,5 m | 1 |



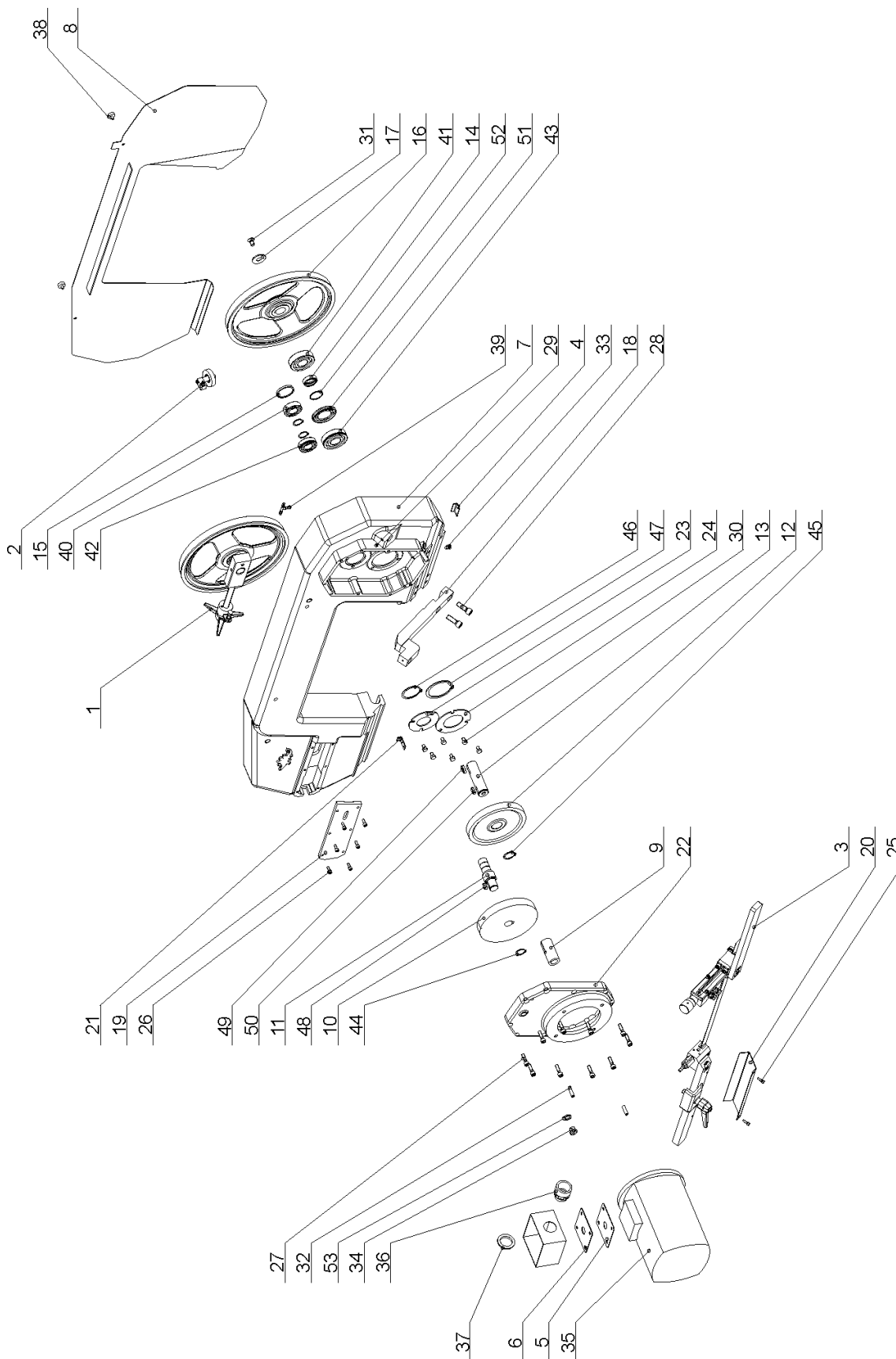
20.3. Upínací válec / Spannzyylinder / Clamping cylinder - 251.038

| Poz. | Objednací číslo | Název položky | ks | |
|------|-----------------|--------------------------------------|---------------|---|
| Pos. | Bestell - Nr. | Bezeichnung | Menge | |
| Pos. | Reference No. | Item | Pcs. | |
| 1 | 30.3307-001 | Píst / Kolben / Piston | 1 | |
| 2 | 30.3307-002 | Pístnice / Kolbenstange / Piston rod | 1 | |
| 3 | 30.3307-003 | Válec / Zylinder / Cylinder | 1 | |
| 4 | 30.3307-004 | Víko / Deckel / Cover | 1 | |
| 5 | 30.3307-005 | Víko / Deckel / Cover | 1 | |
| 6 | 31.3307-007 | Pružina / Feder / Spring | 1x6x32x17.5 | 8 |
| 7 | 90.001.25.XXX | Šroub / Schraube / Screw | M8x90 DIN 912 | 4 |
| 8 | 96.001.008 | O kroužek / O Ring / O Ring | 26x2 | 1 |
| 9 | 96.002.012 | O kroužek / O Ring / O Ring | 24x3 | 1 |
| 10 | 96.002.019 | O kroužek / O Ring / O Ring | 46x2 | 1 |
| 11 | 96.020.005 | Q kroužek / Q Ring / Q Ring | | 1 |



20.4. Otočná konzola / Gehrungskonzole / Turning console

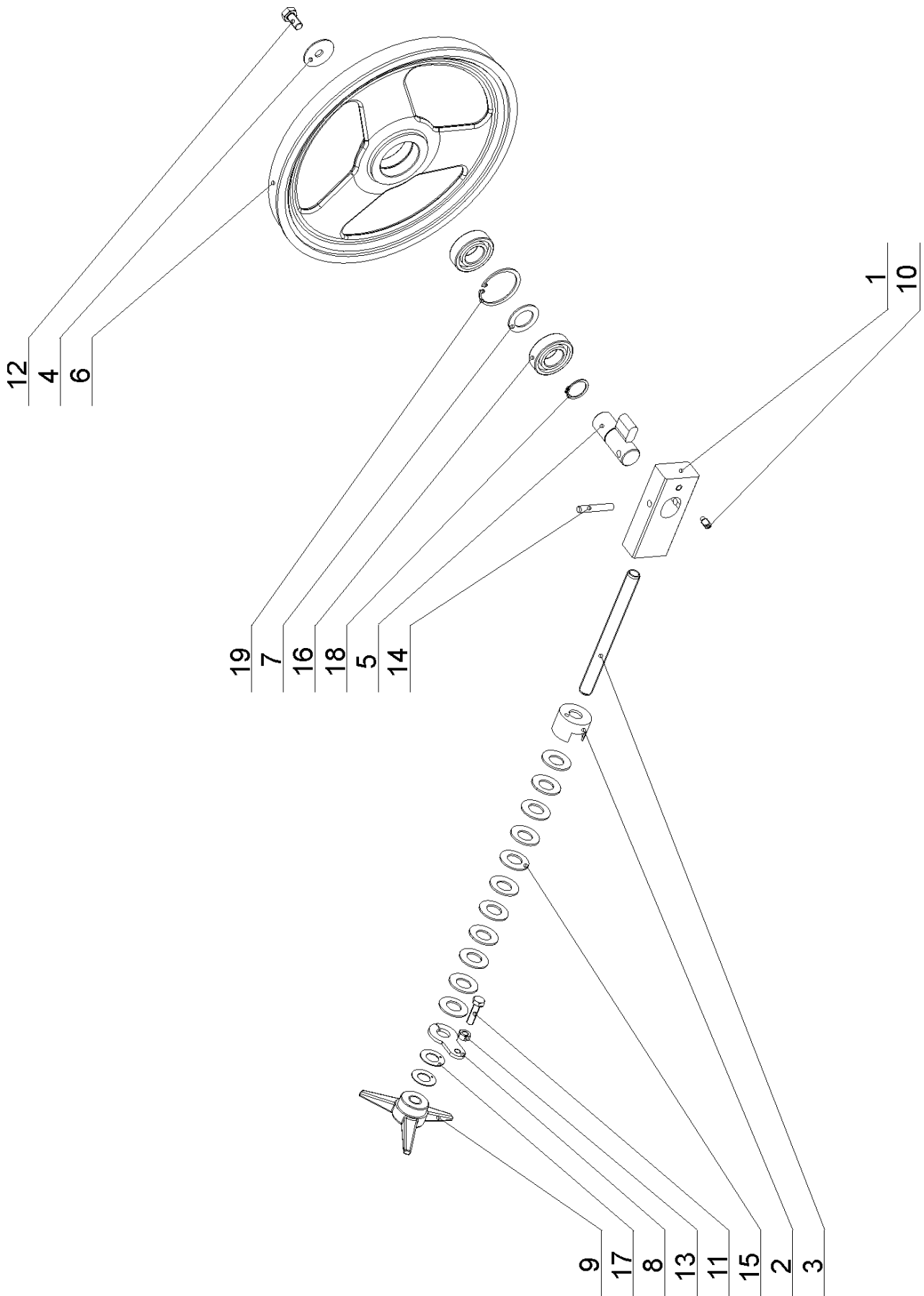
| Poz. | Objednací číslo | Název položky | ks |
|------|-----------------|---|-------|
| Pos. | Bestell - Nr. | Bezeichnung | Menge |
| Pos. | Reference No. | Item | Pcs. |
| 1 | 30.0301-012 | Maticice / Mutter / Nut M30 | 1 |
| 2 | 30.0502-001 | Tyč zpevnění / Stange / Hardening bar 20x750 | 1 |
| 3 | 30.0502-002 | Držák páky / Hebelhalter / Lever holder | 1 |
| 4 | 30.0507-912 | Držák / Halterung / Holder | 1 |
| 5 | 30.0702-002 | Čep / Bolzen / Pivot | 1 |
| 6 | 30.0702-006 | Doraz / Anschlag / Length stop | 3 |
| 7 | 30.0702-008 | Pouzdro ložiska / Lagerbuchse / Bearing bush | 1 |
| 8 | 30.0702-010 | Držák ramene / Rahmenhalter / Arm holder | 1 |
| 9 | 30.0702-012 | Víko kloubu / Gelenkdeckel / Joint cover | 1 |
| 10 | 30.0702-013 | Šroub / Schraube / Screw | 1 |
| 11 | 30.0914-017 | Ukazatel / Zeiger / Indicator | 1 |
| 12 | 30.0914-018 | Měřítka / Skala / Scale | 1 |
| 13 | 30.1002-001 | Otočná konzola / Drehkonsole / Turning console | 1 |
| 14 | 30.1002-003 | Měřítka úhlu / Gehrungsskala / Angle scale | 1 |
| 15 | 90.001.25.033 | Šroub / Schraube / Screw M8x25 DIN 912 | 5 |
| 16 | 90.001.25.046 | Šroub / Schraube / Screw M10x20 DIN 912 | 1 |
| 17 | 90.001.25.059 | Šroub / Schraube / Screw M10x35 DIN 912 | 5 |
| 18 | 90.002.2D.017 | Šroub / Schraube / Screw M12x16 DIN 913 | 1 |
| 19 | 90.005.55.015 | Šroub / Schraube / Screw M8x20 DIN 933 | 3 |
| 20 | 90.005.55.028 | Šroub / Schraube / Screw M10x50 DIN 933 | 1 |
| 21 | 90.005.55.034 | Šroub / Schraube / Screw M12x40 DIN 933 | 1 |
| 22 | 90.012.50.007 | Šroub / Schraube / Screw M4x30 DIN 84 | 4 |
| 23 | 90.100.55.005 | Maticice / Mutter / Nut M8 DIN 934 | 4 |
| 24 | 90.100.55.007 | Maticice / Mutter / Nut M12 DIN 934 | 1 |
| 25 | 90.150.50.002 | Podložka / Scheibe / Washer Ø4,3 DIN 125 | 4 |
| 26 | 91.173.007 | Koncový spínač / Endschalter / Limit switch | 1 |
| 27 | 91.173.008 | Koncový spínač s kladkou / Endschalter mit Rolle / Limit switch with roller | 1 |
| 28 | 94.002.001 | Rukojeť / Griff / Handle M12 | 1 |
| 29 | 94.007.002 | Plastový šroub / Rändelschraube / Plastic screw M6x10 | 1 |
| 30 | 95.300.002 | Ložisko / Lager / Bearing 32008 AX | 2 |
| 31 | 96.001.008 | O kroužek / O Ring / O Ring 26x2 | 1 |
| 32 | 96.001.018 | O kroužek / O Ring / O Ring 63x2 | 2 |



20.5. Rameno a pohon / Sägerahmen und Antrieb / Saw arm and drive - 251.180

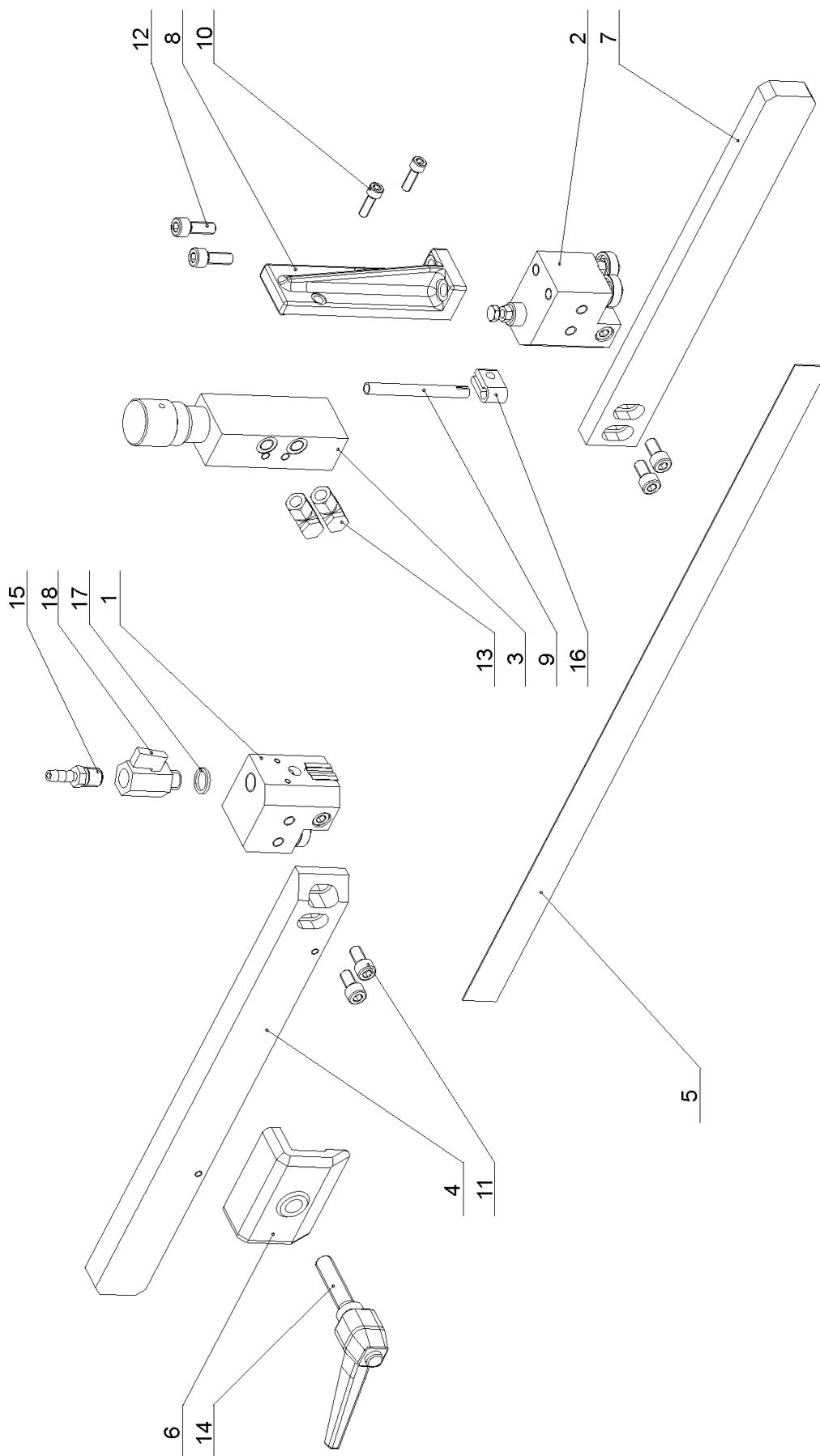
| Poz. | Objednáací číslo | Název položky | ks |
|------|---|---|-------|
| Pos. | Bestell - Nr. | Bezeichnung | Menge |
| Pos. | Reference No. | Item | Pcs. |
| 1 | Viz. výkres / Siehe Zeichnung / See drawing | Napínání / Sägebandspannung / Stretching | 1 |
| 2 | Viz. výkres / Siehe Zeichnung / See drawing | Kartáček / Spänbürste / Brush | 1 |
| 3 | Viz. výkres / Siehe Zeichnung / See drawing | Vedení pásu / Sägebandführung / Saw band guiding | 1 |
| 4 | 30.0104-029 | Úchytka široká / Halter / Angle cleat wide | 1 |
| 5 | 30.0504-004 | Víko / Deckel / Cover | 1 |
| 6 | 30.0504-005 | Víko těsnění / Deckel / Cover | 1 |
| 7 | 30.0504-701 | Rameno / Sägerahmen / Saw arm | 1 |
| 8 | 30.0504-702 | Kryt ramene / Rahmendeckel / Arm cover | 1 |
| 9 | 30.0505-002 | Pastorek / Ritzel / Pinion | 1 |
| 10 | 30.0505-003 | Ozubené kolo / Zahnrad / Gear wheel | 1 |
| 11 | 30.0505-004 | Předloha / Vorgelege / Countershaft | 1 |
| 12 | 30.0505-005 | Ozubené kolo / Zahnrad / Gear wheel | 1 |
| 13 | 30.0505-007 | Hřídel / Welle / Shaft | 1 |
| 14 | 30.0505-009 | Kroužek / Ring / Ring | 1 |
| 15 | 30.0505-013 | Zátka převodovky / Verschlußschraube / Gearbox plug | 1 |
| 16 | 30.0505-701 | Hnací kolo / Antriebsrad / Driving wheel | 1 |
| 17 | 30.0508-002 | Podložka / Scheibe / Washer | 1 |
| 18 | 30.0514-801 | Držák válce / Zylinderhalter / Cylinder holder | 1 |
| 19 | 30.0704-007 | Víko napínání / Sägebandspannungsdeckel / Stretching cover | 1 |
| 20 | 30.0704-021 | Kryt pásu / Banddeckel / Band cover | 1 |
| 21 | 30.0704-032 | Úchytka úzká / Halter / Angle cleat narrow | 1 |
| 22 | 30.0705-001 | Víko převodovky / Deckel / Gearbox cover | 1 |
| 23 | 81.0105-007 | Kroužek / Ring / Ring | 1 |
| 24 | 81.0505-010 | Příložka / Lasche / Splice plate | 1 |
| 25 | 90.001.25.009 | Šroub / Schraube / Screw M5x16 DIN 912 | 2 |
| 26 | 90.001.25.017 | Šroub / Schraube / Screw M6x16 DIN 912 | 6 |
| 27 | 90.001.25.034 | Šroub / Schraube / Screw M8x30 DIN 912 | 10 |
| 28 | 90.001.25.059 | Šroub / Schraube / Screw M12x35 DIN 912 | 2 |
| 29 | 90.004.2D.001 | Šroub / Schraube / Screw M6x8 DIN 915 | 1 |
| 30 | 90.005.55.013 | Šroub / Schraube / Screw M8x12 DIN 933 | 6 |
| 31 | 90.011.27.008 | Šroub / Schraube / Screw M10x20 DIN 7991 | 1 |
| 32 | 90.302.0Z.002 | Kuželový kolík+závit / Kegelstift / Taper pin+thread M8x30 DIN 7978 | 2 |
| 33 | 90.400.5Z.001 | Napouštěcí zátka / Verschlußschraube / Fill stopper 10x1 DIN 908 | 1 |
| 34 | 90.400.5Z.002 | Napouštěcí zátka / Verschlußschraube / Fill stopper 16x1,5 DIN 908 | 1 |
| 35 | 91.001.007 | Elektromotor / Elektromotor / Electromotor (TM) 90 2/4 B5 | 1 |
| 36 | 91.071.004 | Vývodka hadice / Verschraubung Gerade / Hose bushing | 1 |
| 37 | 91.072.007 | Matice / Mutter / Nut | 1 |
| 38 | 94.007.002 | Plastový šroub / Rändelschraube / Plastic screw M6x10 | 2 |
| 39 | 94.200.001 | Rozdvojka / Verteiler / Adaptor T | 1 |
| 40 | 95.001.018 | Ložisko / Lager / Bearing 6205 2RS | 1 |
| 41 | 95.001.025 | Ložisko / Lager / Bearing 6306 2RS | 1 |
| 42 | 95.003.002 | Ložisko / Lager / Bearing 6205 2ZNR | 1 |
| 43 | 95.003.003 | Ložisko / Lager / Bearing 6306 2ZNR | 1 |

| | | | | |
|----|------------|--|-------------|---|
| 44 | 95.800.012 | Pojistný kroužek / Sicherungsring / Retaining ring | Ø25 DIN 471 | 3 |
| 45 | 95.800.013 | Pojistný kroužek / Sicherungsring / Retaining ring | Ø30 DIN 471 | 1 |
| 46 | 95.800.019 | Pojistný kroužek / Sicherungsring / Retaining ring | Ø52 DIN 471 | 1 |
| 47 | 95.800.XXX | Pojistný kroužek / Sicherungsring / Retaining ring | Ø72 DIN 471 | 1 |
| 48 | 95.810.006 | Pero / Feder / False key | 8x7x20 | 1 |
| 49 | 95.810.007 | Pero / Feder / False key | 8x7x25 | 1 |
| 50 | 95.810.023 | Pero / Feder / False key | 8x7x22 RZ | 1 |
| 51 | 95.830.005 | Hřídelové těsnění / Wellendichtung / Shaft seal | 40x72x7 | 1 |
| 52 | 96.002.034 | O kroužek / O Ring / O Ring | 30x2 | 1 |
| 53 | 96.081.001 | Těsnící kroužek / Dichtungsring / Sealing ring | 23x15x3 | 1 |



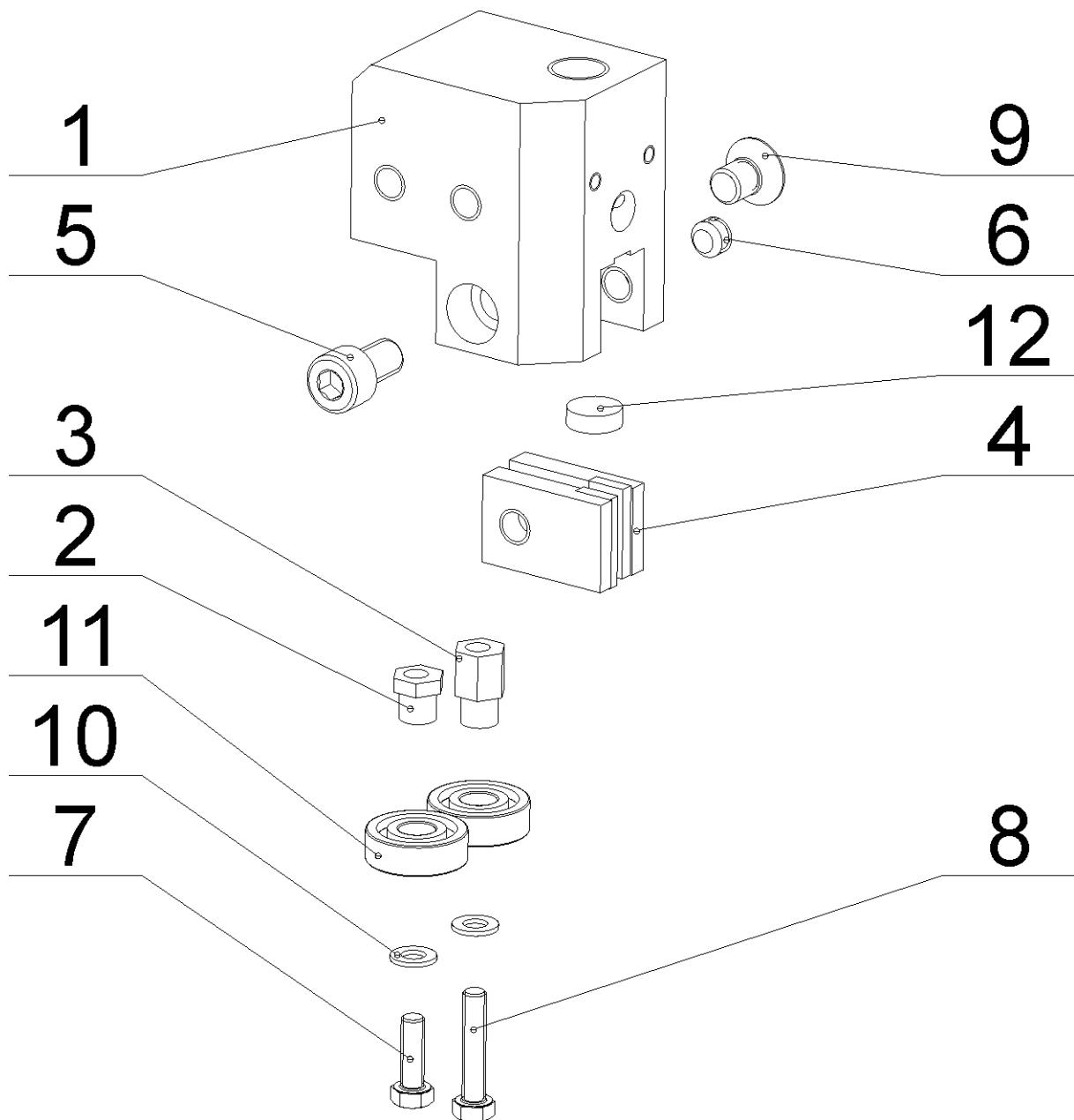
20.6. Napínání pilového pásu / Sägebandspannung / Saw band stretching

| Poz. | Objednací číslo | Název položky | ks |
|------|-----------------|--|-------|
| Pos. | Bestell - Nr. | Bezeichnung | Menge |
| Pos. | Reference No. | Item | Pcs. |
| 1 | 30.0104-002 | Hranol / Prisma / Prism | 1 |
| 2 | 30.0104-004 | Držák pružiny / Federhalter / Spring holder | 1 |
| 3 | 30.0303-005 | Šroub / Schraube / Screw M16 | 1 |
| 4 | 30.0505-011 | Podložka / Scheibe / Washer | 1 |
| 5 | 30.0508-004 | Čep napínání / Spannungsbolzen / Stretching pivot | 1 |
| 6 | 30.0508-701 | Napínací kolo / Umlenkrad / Stretching wheel | 1 |
| 7 | 30.0702-023 | Distanční kroužek / Distanzring / Distance ring | 1 |
| 8 | 30.0704-025 | Příložka / Lasche / Splice plate | 1 |
| 9 | 31.0104-006 | Hvězdice / Stern / Star | 1 |
| 10 | 90.004.2D.008 | Šroub / Schraube / Screw M8x16 DIN 915 | 1 |
| 11 | 90.005.55.017 | Šroub / Schraube / Screw M8x30 DIN 933 | 1 |
| 12 | 90.005.55.023 | Šroub / Schraube / Screw M10x20 DIN 933 | 1 |
| 13 | 90.100.55.005 | Maticice / Mutter / Nut M8 DIN 934 | 1 |
| 14 | 90.300.0Z.012 | Válcový kolík / Zylinderstift / Cylindrical pin 8x50 DIN 6325 | 1 |
| 15 | 90.350.0Z.002 | Talířová pružina / Tellerfeder / Belleville spring 35.5x18.3x2.0x2.8 | 11 |
| 16 | 95.001.018 | Ložisko / Lager / Bearing 2RS 6205 | 2 |
| 17 | 95.750.001 | Kroužek / Ring / Ring KU 16x1 | 2 |
| 18 | 95.800.012 | Pojistný kroužek / Sicherungsring / Retaining ring Ø25 DIN 471 | 1 |
| 19 | 95.801.009 | Pojistný kroužek / Sicherungsring / Retaining ring Ø52 DIN 472 | 1 |



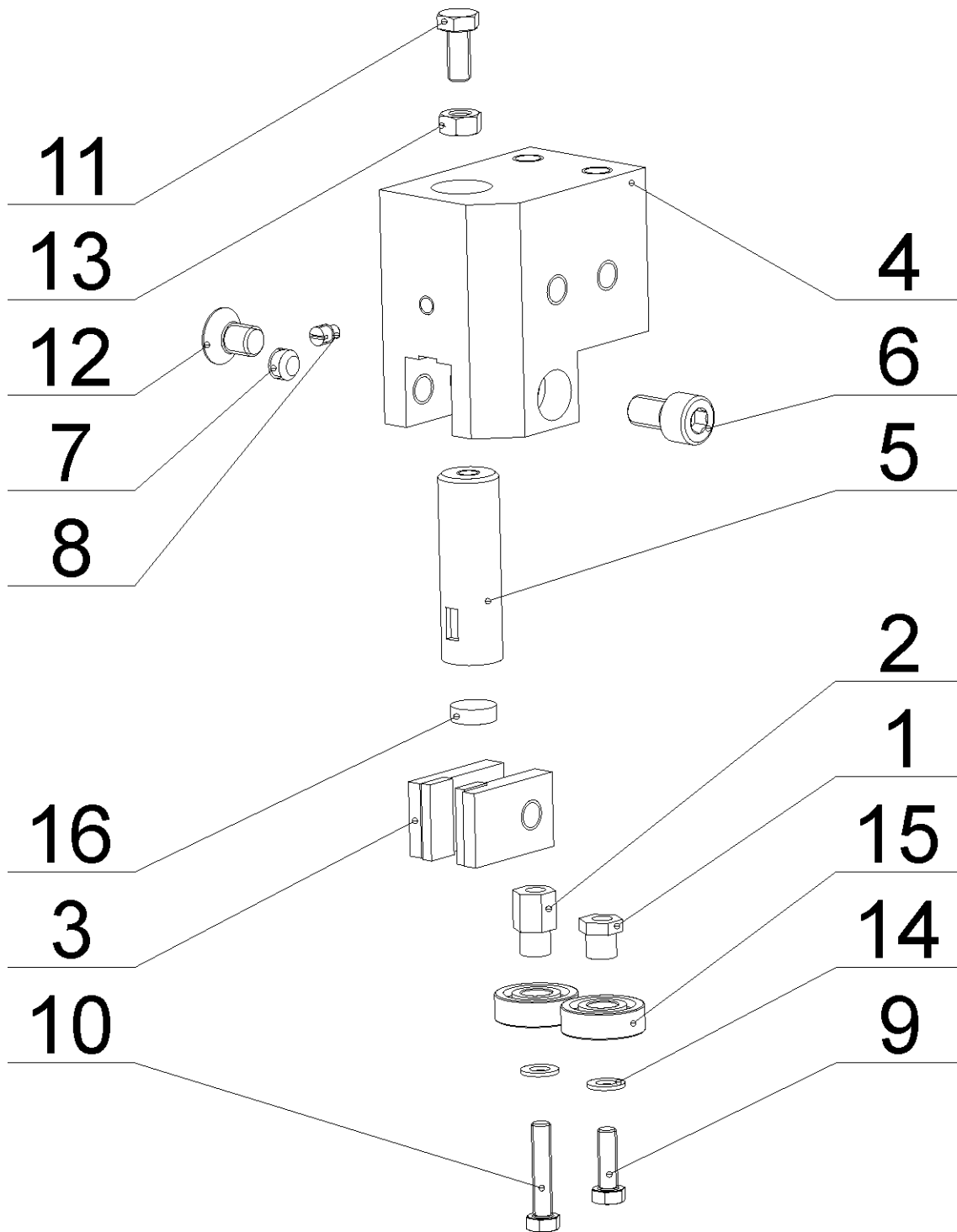
20.7. Vedení pásu / Sägebandführung / Saw band guiding

| Poz. | Objednací číslo | Název položky | ks |
|------|---|--|-------|
| Pos. | Bestell - Nr. | Bezeichnung | Menge |
| Pos. | Reference No. | Item | Pcs. |
| 1 | Viz. výkres / Siehe Zeichnung / See drawing | Levá vodící kostka / Linker Führungsklotz / Left guiding cube | 1 |
| 2 | Viz. výkres / Siehe Zeichnung / See drawing | Pravá vodící kostka / Rechter Führungsklotz / Right guiding cube | 1 |
| 3 | 251.218 | Regulace přítlaku / Schnittdruckregulation / Cutting pressure regulation | 1 |
| 4 | 30.0104-015 | Levá lišta / Leiste / Listel | 1 |
| 5 | 30.0504-961 | Pilový pás / Sägeband / Saw band | 1 |
| 6 | 30.0704-010 | Upínka / Spanneisen / Clamp | 1 |
| 7 | 30.0704-014 | Pravá lišta / Leiste / Listel | 1 |
| 8 | 30.2804-001 | Držák / Halter / Holder | 1 |
| 9 | 30.3510-004 | Trubka / Rohr / Tube Ø8x1-80 | 1 |
| 10 | 90.001.25.018 | Šroub / Schraube / Screw M6x20 DIN 912 | 2 |
| 11 | 90.001.25.031 | Šroub / Schraube / Screw M8x16 DIN 912 | 4 |
| 12 | 90.001.25.XXX | Šroub / Schraube / Screw M8x22 DIN 912 | 2 |
| 13 | 94.003.104 | Šroubení natáčecí / Schraubung / Screwing | 2 |
| 14 | 94.008.009 | Montážní páka / Klemmhebel / Assembly lever M12x50 | 1 |
| 15 | 94.202.002 | Redukce / Reduktion / Reduction 1/4"-6 | 1 |
| 16 | 94.204.001 | Držák hadice / Schlauchhalter / Hose holder | 1 |
| 17 | 96.080.001 | Těsnící kroužek / Dichtungsring / Sealing ring 17.8x13.5x2 | 1 |
| 18 | 99.260.001 | Ventil kulový / Kugelventil / Globe valve 1/4" | 1 |



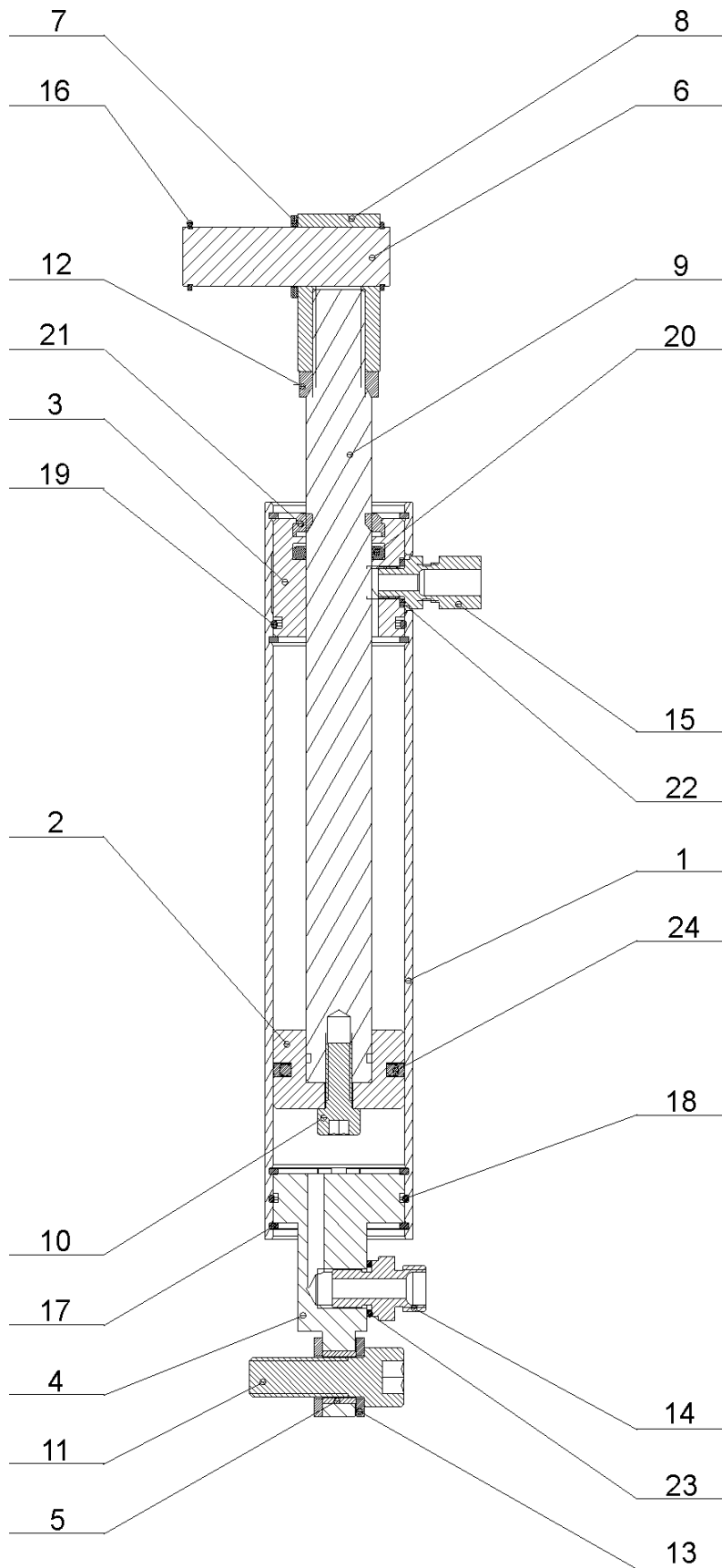
20.8. Levá vodící kostka / Linker Führungsklotz / Left guiding cube

| Poz. | Objednací číslo | Název položky | ks |
|------|-----------------|---|-------|
| Pos. | Bestell - Nr. | Bezeichnung | Menge |
| Pos. | Reference No. | Item | Pcs. |
| 1 | 30.0104-017 | Levá vodící kostka / Linker Führungsklotz / Left guiding cube | 1 |
| 2 | 30.0104-018 | Excentr / Exzenter / Eccentric | 1 |
| 3 | 30.0104-019 | Excentr / Exzenter / Eccentric | 1 |
| 4 | 30.0104-020 | Držák tvrdokovu / HM-Halter / HM holder | 2 |
| 5 | 90.001.25.030 | Šroub / Schraube / Screw M8x14 DIN 912 8.8 | 1 |
| 6 | 90.002.2D.009 | Šroub / Schraube / Screw M8x6 DIN 912 45H | 1 |
| 7 | 90.005.55.003 | Šroub / Schraube / Screw M5x16 DIN 933 8.8 | 1 |
| 8 | 90.005.55.005 | Šroub / Schraube / Screw M5x25 DIN 933 8.8 | 1 |
| 9 | 90.011.27.007 | Šroub / Schraube / Screw M8x12 DIN 7991 10.9 | 1 |
| 10 | 90.150.50.003 | Podložka / Scheibe / Washer Ø5,3 DIN 125 | 2 |
| 11 | 95.001.001 | Ložisko / Lager / Bearing 608 2RS | 2 |
| 12 | 99.040.002 | Tvrdokov / HM-Segment / Hardmetal Ø12x4 | 1 |



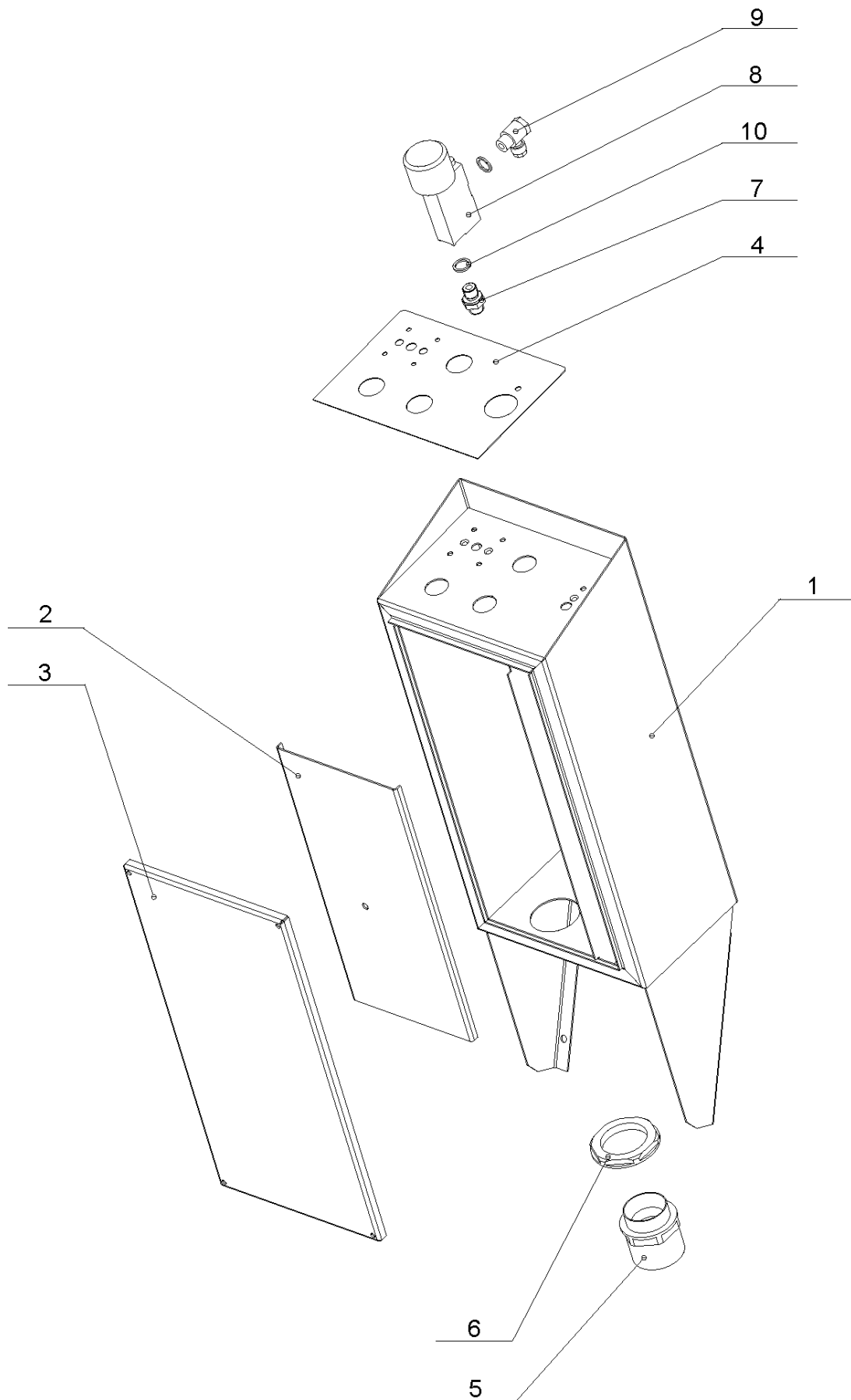
20.9. Pravá vodící kostka / Rechter Führungsklotz / Right guiding cube

| Poz. | Objednací číslo | Název položky | ks |
|------|-----------------|--|-------|
| Pos. | Bestell - Nr. | Bezeichnung | Menge |
| Pos. | Reference No. | Item | Pcs. |
| 1 | 30.0104-018 | Excentr / Exzenter / Eccentric | 1 |
| 2 | 30.0104-019 | Excentr / Exzenter / Eccentric | 1 |
| 3 | 30.0104-020 | Držák tvrdokovu / HM-Halter / HM holder | 2 |
| 4 | 30.2804-002 | Pravá vodící kostka / Rechter Führungsklotz / Right guiding cube | 1 |
| 5 | 30.3510-002 | Držák tvrdokovu / HM-Halter / HM holder | 1 |
| 6 | 90.001.25.030 | Šroub / Schraube / Screw M8x14 DIN 912 8.8 | 1 |
| 7 | 90.002.2D.009 | Šroub / Schraube / Screw M8x6 DIN 912 45H | 1 |
| 8 | 90.004.2D.017 | Šroub / Schraube / Screw M5x8 DIN 915 45H | 1 |
| 9 | 90.005.55.003 | Šroub / Schraube / Screw M5x16 DIN 933 8.8 | 1 |
| 10 | 90.005.55.005 | Šroub / Schraube / Screw M5x25 DIN 933 8.8 | 1 |
| 11 | 90.005.55.XXX | Šroub / Schraube / Screw M6x14 DIN 933 8.8 | 1 |
| 12 | 90.011.27.007 | Šroub / Schraube / Screw M8x12 DIN 7991 10.9 | 1 |
| 13 | 90.100.55.004 | Matice / Mutter / Nut M6 DIN 934 8.8 | 1 |
| 14 | 90.150.50.003 | Podložka / Scheibe / Washer Ø5,3 DIN 125 | 2 |
| 15 | 95.001.001 | Ložisko / Lager / Bearing 608 2RS | 2 |
| 16 | 99.040.002 | Tvrdokov / HM-Segment / Hardmetal Ø12x4 | 1 |



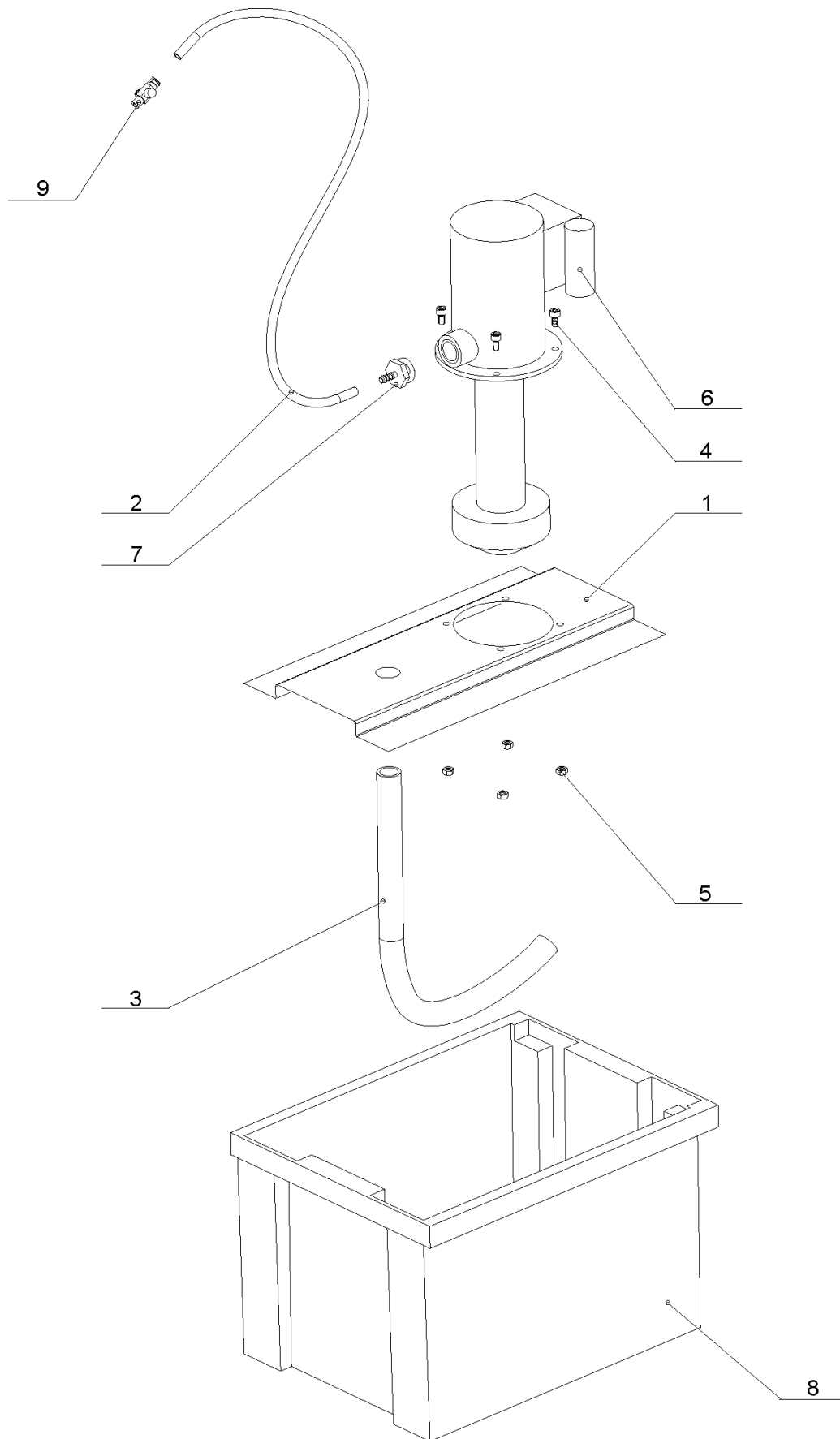
20.10. Zvedací válec / Hubzylinder / Lifting cylinder - 251.231

| Poz. | Objednací číslo | Název položky | ks |
|------|-----------------|--|-------|
| Pos. | Bestell - Nr. | Bezeichnung | Menge |
| Pos. | Reference No. | Item | Pcs. |
| 1 | 30.0507-901 | Válec / Zylinder / Cylinder | 1 |
| 2 | 30.0507-902 | Píst / Kolben / Piston | 1 |
| 3 | 30.0507-903 | Horní víko / Deckel / Top cover | 1 |
| 4 | 30.0507-911 | Držák / Halter / Holder | 1 |
| 5 | 30.0507-913 | Pouzdro / Buchse / Bush | 1 |
| 6 | 30.0514-904 | Čep / Bolzen / Pivot | 1 |
| 7 | 30.0514-905 | Distanční kroužek / Distanzring / Distance ring | 1 |
| 8 | 30.0807-006 | Držák pístnice / Kolbenstangehalter / Piston rod holder | 1 |
| 9 | 30.2807-003 | Pístnice / Kolbenstange / Piston rod | 1 |
| 10 | 90.001.25.032 | Šroub / Schraube / Screw M8x20 DIN 912 | 1 |
| 11 | 90.001.25.059 | Šroub / Schraube / Screw M12x35 DIN 912 | 1 |
| 12 | 90.101.55.003 | Matice / Mutter / Nut M16 DIN 439 | 1 |
| 13 | 90.150.50.007 | Podložka / Scheibe / Washer Ø13 DIN 125 | 2 |
| 14 | 92.002.001 | Šroubení přímé / Schraubung / Screwing | 1 |
| 15 | 92.002.102 | Šroubení přímé / Schraubung / Screwing | 1 |
| 16 | 95.800.008 | Pojistný kroužek / Sicherungsring / Retaining ring Ø18 DIN 471 | 2 |
| 17 | 95.801.005 | Pojistný kroužek / Sicherungsring / Retaining ring Ø40 DIN 472 | 4 |
| 18 | 96.001.010 | O kroužek / O Ring / O Ring 36x2 | 1 |
| 19 | 96.002.017 | O kroužek / O Ring / O Ring 34x3 | 1 |
| 20 | 96.041.002 | Manžeta těsnící / Dichtungsmanschette / Gasket 20x28 | 1 |
| 21 | 96.060.002 | Kroužek stírací / Abstreifring / Wiping ring 20x28 | 1 |
| 22 | 96.082.001 | Těsnící kroužek / Dichtungsring / Sealing ring Cu 10/14 | 1 |
| 23 | 96.082.002 | Těsnící kroužek / Dichtungsring / Sealing ring Cu 13/17 | 1 |
| 24 | 96.900.002 | Kombinované těsnění / Dichtung / Sealing 40x29x4 | 1 |



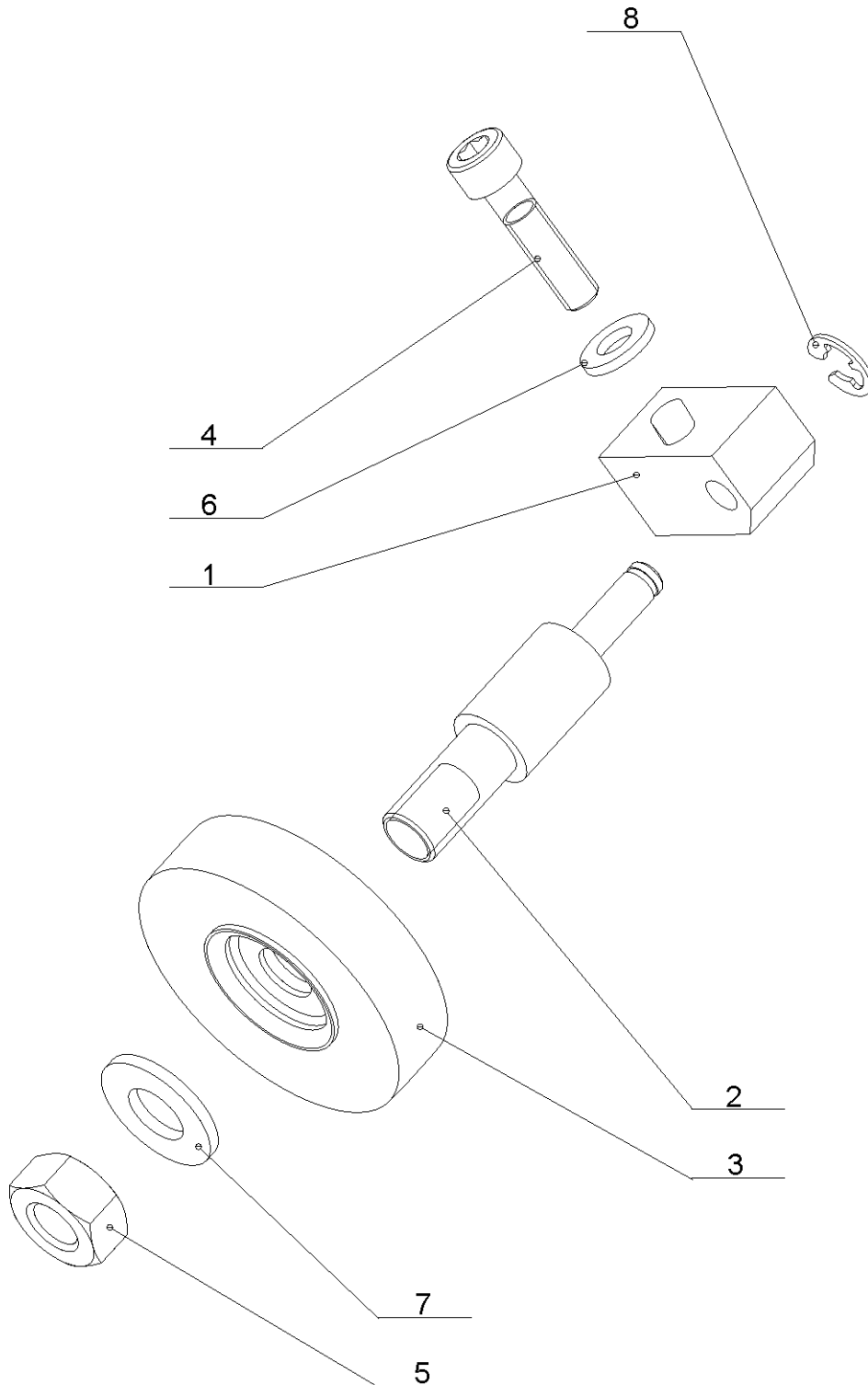
20.11. Ovládací panel / Bedienpult / Control panel

| Poz. | Objednací číslo | Název položky | ks |
|-------------|------------------------|---|--------------|
| Pos. | Bestell - Nr. | Bezeichnung | Menge |
| Pos. | Reference No. | Item | Pcs. |
| 1 | 30.0513-001 | Rozvaděč / Schrank / Switchboard | 1 |
| 2 | 30.0513-002 | Deska / Plate / Platte | 1 |
| 3 | 30.0513-003 | Víko rozvaděče / Deckel / Switchboard cover | 1 |
| 4 | 31.0513-004 | Štítek / Schild / Label | 1 |
| 5 | 91.071.005 | Vývodka hadice / Schraubung / Hose bushing PG36 | 1 |
| 6 | 91.072.008 | Maticе / Mutter / Nut PG36 | 1 |
| 7 | 92.002.003 | Šroubení přímé / Schraubung / Straight screwing | 1 |
| 8 | 92.152.002 | Škrťící ventil / Drosselventil / Throttle-valve | 1 |
| 9 | 93.009.002 | Šroubení / Schraubung / Screwing G1/4"-8/6 | 1 |
| 10 | 96.082.002 | Kroužek těsnící / Dichtungsring / Sealing ring Cu 13/17 | 2 |

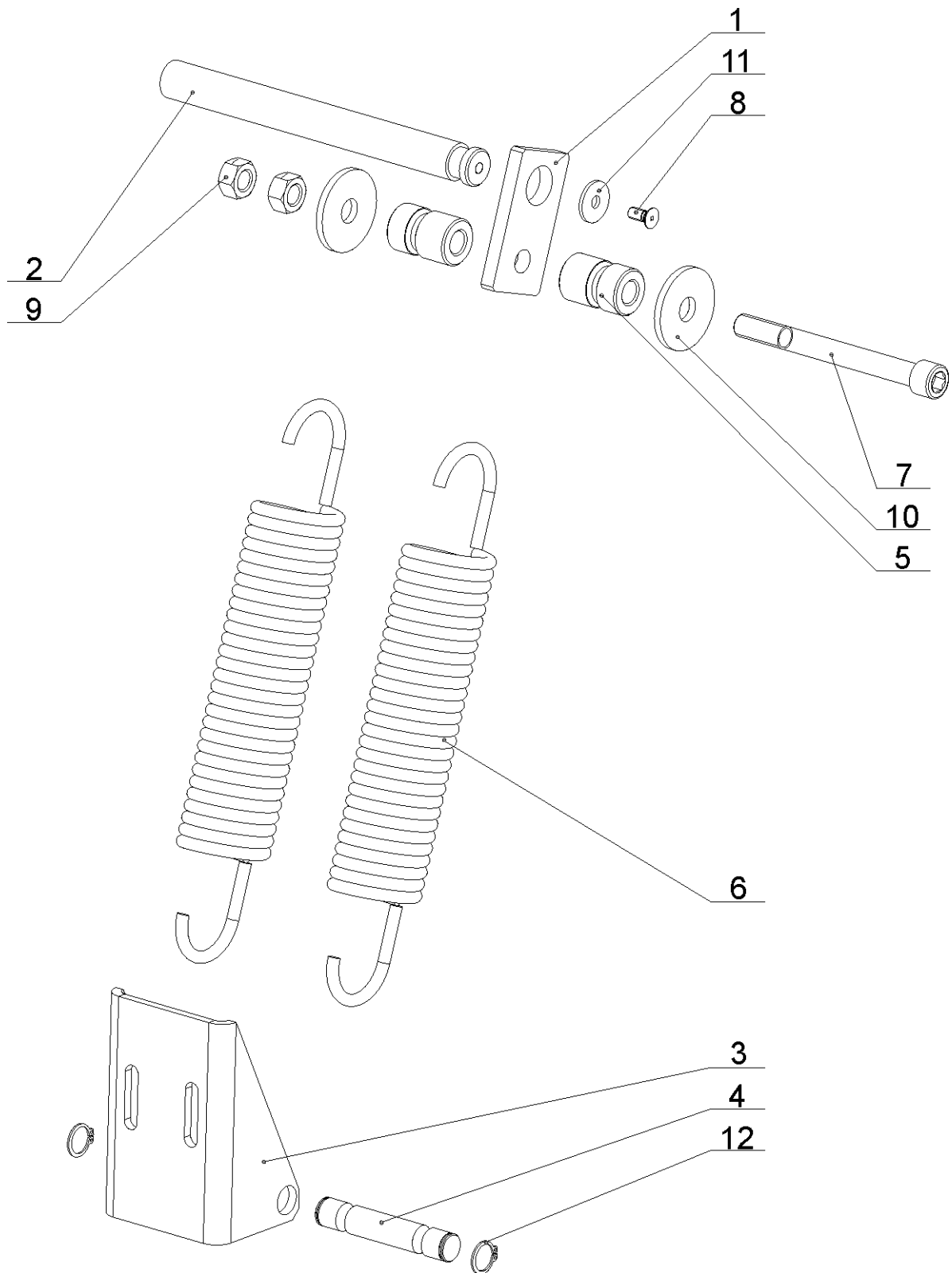


20.12. Chlazení / Kühlung / Cooling

| Poz. | Objednací číslo | Název položky | ks |
|-------------|------------------------|--|--------------|
| Pos. | Bestell - Nr. | Bezeichnung | Menge |
| Pos. | Reference No. | Item | Pcs. |
| 1 | 30.0506-001 | Víko nádrže / Deckel / Cover | 1 |
| 2 | 42.020.001 | Hadice / Schlauch / Hose 6x1.5 | 1 |
| 3 | 42.020.003 | Hadice / Schlauch / Hose 19x3 | 1 |
| 4 | 90.001.25.016 | Šroub / Schraube / Screw M6x12 DIN 912 | 4 |
| 5 | 90.100.55.004 | Maticе / Mutter / Nut M6 DIN 934 | 4 |
| 6 | 91.020.007 | Čerpadlo chlazení / Kühlmittelpumpe / Cooling pump 9C0A 2-22 | 1 |
| 7 | 94.202.005 | Redukce / Reduktion / Reduction 3/4"-6 | 1 |
| 8 | 94.403.001 | Nádrž / Behälter / Tank | 1 |
| 9 | 99.260.002 | Kulový ventil / Kugelventil / Spherical valve M10x1 | 1 |

**20.13. Kartáček / Spänbürste / Brush**

| Poz. | Objednací číslo | Název položky | ks | |
|------|-----------------|---|---------------|---|
| Pos. | Bestell - Nr. | Bezeichnung | Menge | |
| Pos. | Reference No. | Item | Pcs. | |
| 1 | 30.0104-022 | Držák kartáčku / Halter / Holder | 1 | |
| 2 | 30.0704-029 | Hřídel kartáčku / Welle / Shaft | 1 | |
| 3 | 31.0704-031 | Kartáček / Bürste / Brush | 1 | |
| 4 | 90.001.25.019 | Šroub / Schraube / Screw | M6x25 DIN 912 | 1 |
| 5 | 90.100.55.006 | Maticice / Mutter / Nut | M10 DIN 934 | 1 |
| 6 | 90.150.50.004 | Podložka / Scheibe / Washer | Ø6,4 DIN 125 | 1 |
| 7 | 90.150.50.006 | Podložka / Scheibe / Washer | Ø10,5 DIN 125 | 1 |
| 8 | 95.800.001 | Pojistný kroužek / Sicherungsring / Retaining ring | Ø6 DIN 471 | 1 |



20.14. Pružiny / Federn / Springs

| Poz. | Objednací číslo | Název položky | ks |
|------|-----------------|--|-------|
| Pos. | Bestell - Nr. | Bezeichnung | Menge |
| Pos. | Reference No. | Item | Pcs. |
| 1 | 30.0504-008 | Deska / Plate / Platte | 1 |
| 2 | 30.0504-009 | Držák pružiny / Federhalter / Spring holder | 1 |
| 3 | 30.8014-002 | Držák / Halter / Holder | 1 |
| 4 | 30.8014-003 | Čep / Bolzen / Pivot | 1 |
| 5 | 30.9002-006 | Podložka / Scheibe / Washer | 2 |
| 6 | 31.4204-002 | Pružina / Feder / Spring 6.30x49x260x29 | 2 |
| 7 | 90.001.25.066 | Šroub / Schraube / Screw M12x120 DIN 912 | 1 |
| 8 | 90.011.27.XXX | Šroub / Schraube / Screw M6x14 DIN 7991 | 1 |
| 9 | 90.100.55.007 | Matice / Mutter / Nut M12 DIN 934 | 2 |
| 10 | 90.151.50.002 | Podložka / Scheibe / Washer Ø13x44x4 DIN 440 | 2 |
| 11 | 90.151.50.004 | Podložka / Scheibe / Washer Ø6.6x22x2 DIN 440 | 1 |
| 12 | 95.800.006 | Pojistný kroužek / Sicherungsring / Retaining ring Ø15 DIN 471 | 2 |