

BOMAR[®]

Operating Instructions for Band Saw

ergonomic 290.250 GANC-FM



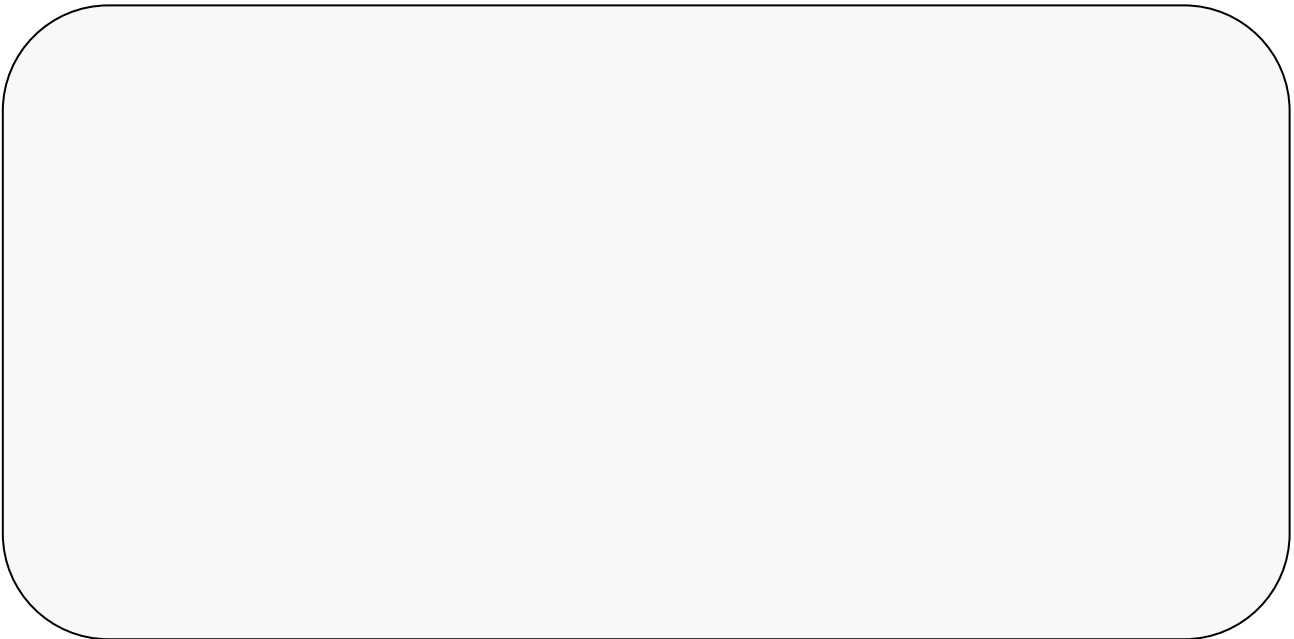
Before transporting and using the machine, please read the instructions thoroughly!

Serial number:



Service and Information

In case of technical difficulties or spare parts order, please contact your dealer:



Or contact Bomar, spol. s r.o. directly:

BOMAR, spol. s r.o.
Těžební 1236/1
62700 Brno
CZECH REPUBLIC

Telephone: +420 – 533 426 100
Fax: +420 – 533 426 109

e-mail: info@bomar.cz
WWW: <http://www.bomar.cz>

We are available Mondays to Fridays from 7⁰⁰ to 16⁰⁰.

Content

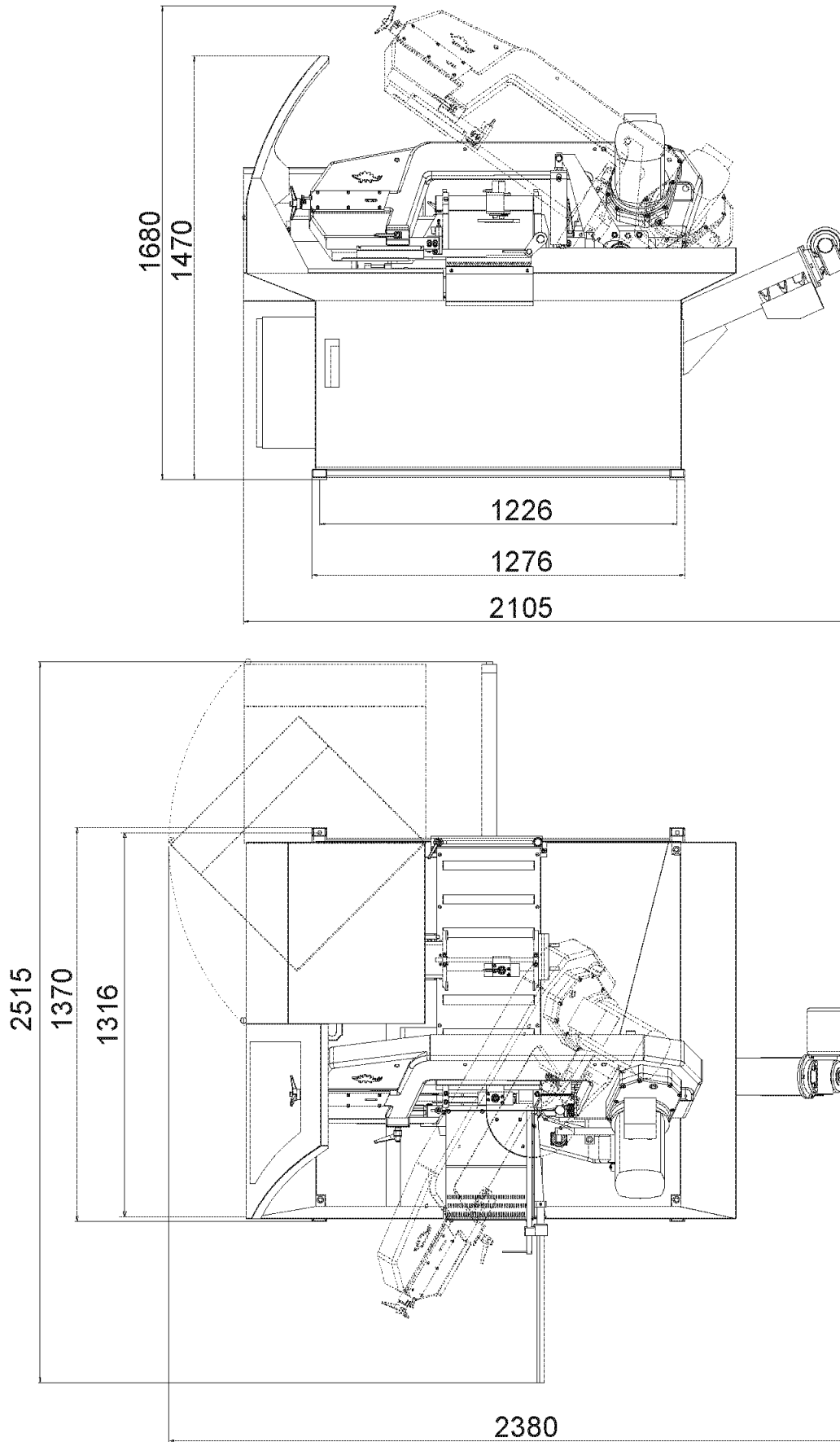
1. INTRODUCTION	7
2. BAND SAW USING	7
3. TECHNICAL DATA.....	8
4. SAFETY NOTES	9
4.1. GENERAL	9
4.2. PROTECTIVE SUIT AND PERSONAL SAFETY.....	9
4.3. SAFETY NOTES FOR MACHINE OPERATOR	10
4.4. SAFETY NOTES FOR THE SERVICING AND REPAIRS	11
4.5. SAFETY MACHINE ACCESSORIES	12
5. TRANSPORTATION AND STOCKING	14
5.1. CONDITIONS FOR TRANSPORTATION AND STOCKING	14
5.2. SAFETY NOTES	14
5.3. TRANSPORT AND STOCKING PREPARATIONS	15
5.4. TRANSPORT AND STOCKING.....	15
6. ACTIVATION	16
6.1. MACHINE WORKING CONDITIONS.....	16
6.2. BAND SAW UNPACKING AND ASSEMBLING	16
6.3. MACHINE INSTALLING AND LEVELLING	17
6.4. ELECTRICAL CONNECTION	18
6.5. FILLING OF THE COOLING SYSTEM.....	19
6.6. CHECK MACHINE FUNCTIONS	20
7. CONTROL PANEL - DESCRIPTION	22
8. STARTING THE BAND SAW.....	25
8.1. SWITCH ON THE BAND SAW	25
8.2. FEEDER REFERENCE POSITION.....	25
9. MATERIAL INSERTION.....	26
9.1. SAFETY NOTES	26
9.2. HANDLING AGENT SELECTION	26
9.3. MATERIAL INSERTION	26
9.4. BUNDLE MATERIAL CUTTING	27
10. BAND SAW ADJUSTING.....	28
10.1. SAFETY NOTES	28
10.2. ANGULAR CUT SETTING	28
10.3. SETTING OF THE BUNDLING SYSTEM.....	29
10.3.1. Setting of the bundling system on the main vice	29
10.3.2. Dismantling and assembling of the bundling system on the main vice	29
10.4. OPTIMAL ADJUSTING OF THE GUIDE CUBES SPAN	30
10.5. CUTTING SPEED SETTING	30
10.6. SWARF CONVEYOR OPERATION	30
10.7. CUTTING PRESSURE REGULATION	31
11. SEMI-AUTOMATIC CYCLE.....	32

11.1.	SAFETY NOTES	32
11.2.	SEMI-AUTOMATIC MODE	32
11.3.	CYCLE BREAKING	32
11.4.	SPEED ADJUSTING OF THE ARM LOWERING	33
12.	AUTOMATIC MODE	34
12.1.	SAFETY NOTES	34
12.2.	CYCLE PRESET	34
12.2.1.	<i>Preset</i>	34
12.2.2.	<i>Program storing</i>	35
12.2.3.	<i>Program selection</i>	35
12.2.4.	<i>Editing</i>	36
12.2.5.	<i>New Preselection inserting</i>	37
12.2.6.	<i>Clearing memory</i>	37
12.3.	AUTOMATIC CYCLE WITH MATERIAL CUTTING.....	39
12.4.	AUTOMATIC CYCLE WITHOUT MATERIAL CUTTING	39
12.5.	CYCLE BREAKING	40
12.6.	SETTING THE SPEED OF THE SAW ARM LOWERING.....	40
13.	BLANKS REMOVING FROM THE BAND SAW	41
13.1.	SAFETY NOTES	41
13.2.	HANDLING AGENT SELECTION	41
13.3.	BLANKS REMOVING	41
14.	SERVICE MENU	42
14.1.	ENTRANCE TO SERVICE MENU	42
14.2.	VICE PARAMETERS.....	42
14.3.	COOLING PARAMETERS.....	42
14.3.1.	<i>Cooling type</i>	42
14.3.2.	<i>Cooling mode</i>	43
14.4.	CUTTING PARAMETERS	43
14.5.	SWARF CONVEYOR OPERATION	44
14.6.	MACHINE PARAMETERS.....	44
14.7.	LANGUAGE	45
14.8.	LENGTH UNITS SELECTION.....	45
14.9.	REGULATOR	45
14.10.	LENGTH CORRECT	45
14.11.	SERVICE MENU CLOSING	46
15.	SELECTION AND REPLACEMENT OF THE SAW BAND	47
15.1.	SAFETY NOTES	47
15.2.	SAW BAND SIZE	47
15.3.	SELECTION OF THE SAW BAND TOOTH SYSTEM:	47
15.4.	SAW BAND RUNNING - IN	49
15.5.	SAW BAND DISMANTLING	50
15.6.	SAW BAND INSTALLATION	51
15.7.	SAW BAND STRETCHING AND INSPECTION.....	52
15.7.1.	<i>Saw band stretching</i>	52
15.7.2.	<i>Saw band inspection</i>	52
16.	COOLING AGENTS AND CHIPS DISPOSAL.....	53
16.1.	SAFETY NOTES	53
16.2.	COOLING LIQUID PREPARATION	53
16.3.	COOLANT DEVICE INSPECTION	54

16.4.	CHIPS DISPOSAL	55
17.	GREASES AND OILS	56
17.1.	GEARBOX OILS	56
17.2.	HYDRAULIC OILS	57
17.3.	LUBRICANT GREASES	57
18.	SERVICE	58
18.1.	MACHINE CLEANING	58
18.2.	LUBRICATION	58
18.3.	COOLING LIQUID INSPECTION	58
18.4.	HYDRAULIC OIL LEVEL CHECK	59
19.	ADJUSTMENT	60
19.1.	HARD METAL GUIDES ADJUSTMENT	60
19.2.	GUIDING CUBES ADJUSTMENT	60
19.3.	SAW BAND RUN ADJUSTMENT ON STRETCHING WHEEL	61
19.4.	BRUSH ADJUSTMENT	62
19.5.	ANGULAR STOPS SETTING	62
19.6.	ADJUSTING OF THE LIMIT SWITCH OF THE SAW BAND STRETCHING	63
19.7.	SAW FRAME LOWER POSITION STOP ADJUSTMENT	63
19.8.	LIMIT SWITCH ADJUSTMENT OF THE SAW FRAME LOWER POSITION	64
19.9.	PRESSURE SWITCHES ADJUSTMENT	65
19.10.	PRESSURE ADJUSTMENT IN HYDRAULIC SYSTEM	66
19.11.	ADJUSTMENT OF A THROTTLE VALVE	67
20.	WORN PIECES REPLACEMENT	68
20.1.	HARD METAL GUIDES REPLACEMENT	68
20.2.	ROUND BRUSH REPLACEMENT	68
20.3.	SAW BAND GUIDING PULLEYS REPLACEMENT	69
20.4.	STRETCHING WHEEL REPLACEMENT	70
20.5.	DRIVING WHEEL REPLACEMENT	72
20.6.	COOLING PUMP REPLACEMENT	74
21.	ROZMĚROVÉ SCHÉMA / AUFSTELLZEICHNUNG / INSTALLATION DIAGRAM	76
22.	ELEKTRICKÁ SCHÉMATA / ELEKTROSCHEMAS / WIRING DIAGRAMS	77
23.	HYDRAULICKÁ SCHÉMATA / HYDRAULIKSCHEMA / HYDRAULIC DIAGRAM	92
24.	VÝKRESY SESTAV PRO OBJEDNÁNÍ NÁHRADNÍCH DÍLŮ / ZEICHNUNGEN FÜR BESTELLUNG DER ERSATZTEILE / DRAWING ASSEMBLIES FOR SPARE PARTS ORDER	96
24.1.	HLAVNÍ SVĚRÁK / HAUPTSCHRAUBSTOCK / MAIN VICE	97
24.2.	UPÍNACÍ VÁLEC HLAVNÍHO SVĚRÁKU / SPANNZYLINDER DES HAUPTSCHRAUBSTOCKES / MAIN VICE CLAMPING CYLINDER	99
24.3.	HORNÍ UPÍNÁNÍ HLAVNÍHO SVĚRÁKU / BÜNDELSPANNEINRICHTUNG DES HAUPTSCHRAUBSTOCKES / MAIN VICE TOP CLAMPING	101
24.4.	VÁLEC HORNÍHO UPÍNÁNÍ / BÜNDELSPANNZYLINDER / TOP CLAMPING CYLINDER	103
24.5.	PODÁVACÍ SVĚRÁK / VORSCHUBSCHRAUBSTOCK / FEEDING VICE	105
24.6.	POSOUVACÍ VÁLEC PODAVAČE / VORSCHUBZYLINDER DES VORSCHUBES / SHIFTING CYLINDER OF THE FEEDER	108
24.7.	UPÍNACÍ VÁLEC PODAVAČE / SPANNZYLINDER DES VORSCHUBES / CLAMPING CYLINDER OF THE FEEDER	110

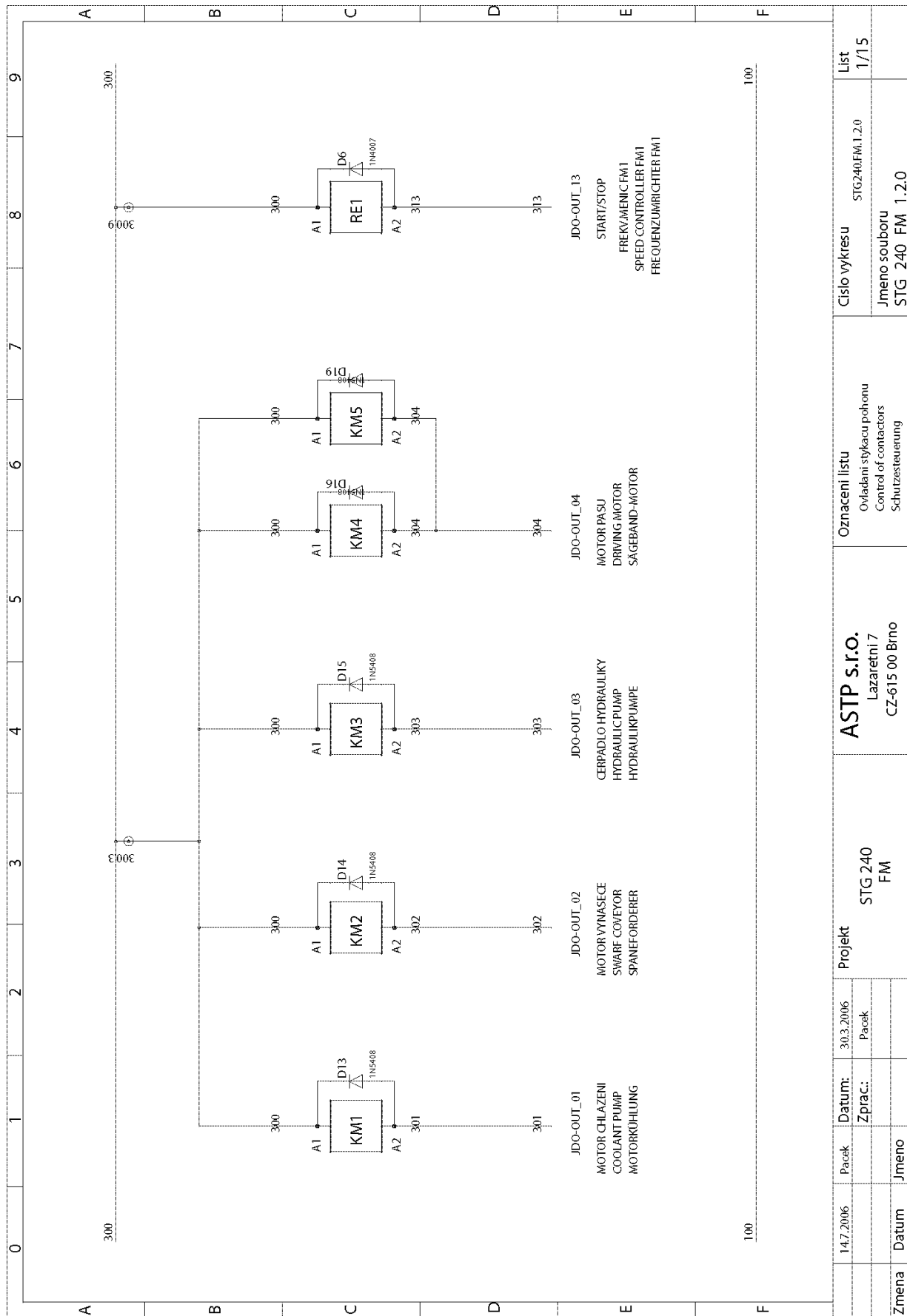
24.8.	HORNÍ UPÍNÁNÍ PODAVAČE / BÜNDELSPANNEINRICHTUNG DES VORSCHUBSCHRAUBSTOCKES / FEEDER TOP CLAMPING	112
24.9.	VÁLEČKOVÁ TRAŤ / ROLLENBAHN / ROLLER CONVEYOR	114
24.10.	VERTIKÁLNÍ VÁLEČKY / VERTIKALROLLEN / VERTICAL ROLLERS	116
24.11.	POHON A KRYTY PILOVÉHO PÁSU / ANTRIEB UND ABDECKUNGEN DES SÄGEBANDES / DRIVE AND SAW BAND COVERS	118
24.12.	NAPÍNÁNÍ PÁSU / SÄGEBANDSPANNUNG / SAW BAND STRETCHING	120
24.13.	OTOČNÁ KONZOLA / GEHRUNGSKONSOLE / TURNING CONSOLE	122
24.14.	ZVEDACÍ VÁLEC / HEBEZYLINDER / LIFTING CYLINDER - 251.034	124
24.15.	KARTÁČEK / SPÄNEBÜRSTE / BRUSH	126
24.16.	LEVÁ VODICÍ KOSTKA / LINKER FÜHRUNGSKLOTZ / LEFT GUIDING CUBE	128
24.17.	PRAVÁ VODICÍ KOSTKA / RECHTER FÜHRUNGSKLOTZ / RIGHT GUIDING CUBE	130
25.	TROUBLESHOOTING TABLE.....	133
25.1.	MECHANICAL PROBLEMS	133
25.2.	ELECTRIC AND HYDRAULIC PROBLEMS	135
26.	SPECIAL ACCESSORY	137
26.1.	BUNDLING SYSTEM	137
26.2.	VICE PRESSURE REGULATION	137
26.3.	FREQUENCY CONVERTER	137
26.4.	MICRONISER.....	137
26.5.	TENZOMAT	137
27.	ROLLER CONVEYORS AND ACCESSORIES	138
27.1.	ROLLER CONVEYORS OF M TYPE	138
27.1.1.	<i>Roller conveyors</i>	<i>138</i>
27.1.2.	<i>Length stops.....</i>	<i>138</i>
27.1.3.	<i>Feeding machines.....</i>	<i>139</i>
27.1.4.	<i>Connection sets.....</i>	<i>139</i>
27.1.5.	<i>Accessories of roller conveyors</i>	<i>140</i>
27.1.6.	<i>Connection schema of the roller conveyors to the band saw.....</i>	<i>141</i>
27.2.	ROLLER CONVEYORS OF D TYPE	144
27.2.1.	<i>Roller conveyors</i>	<i>144</i>
27.2.2.	<i>Length stops.....</i>	<i>144</i>
27.2.3.	<i>Feeding machines.....</i>	<i>145</i>
27.2.4.	<i>Connection sets.....</i>	<i>145</i>
27.2.5.	<i>Accessories of roller conveyors</i>	<i>146</i>
27.2.6.	<i>Connection schema of the roller conveyors to the band saw.....</i>	<i>147</i>
DECLARATION OF CONFORMITY.....		150

21. Rozměrové schéma / Aufstellzeichnung / Installation diagram

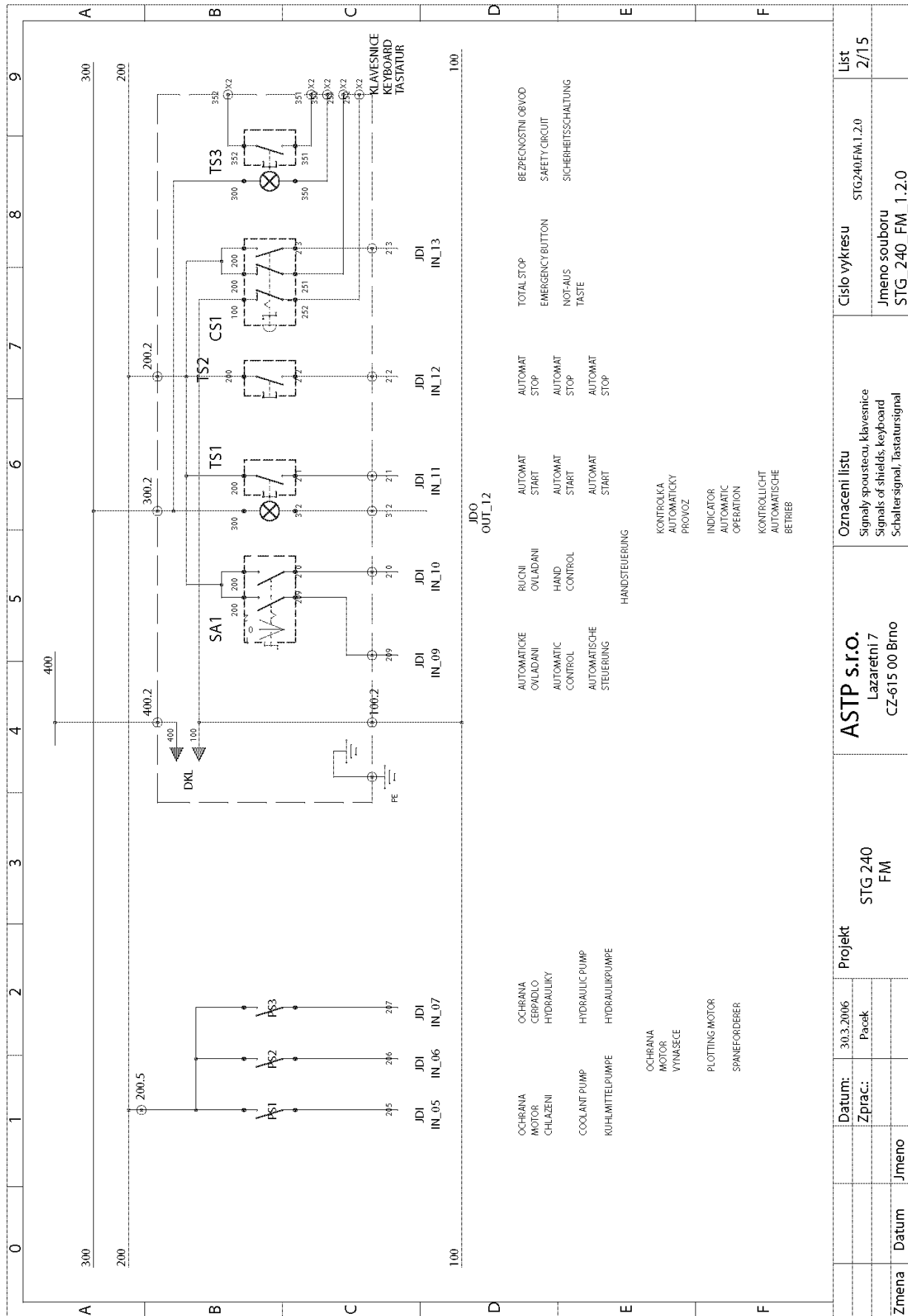


Rozměrové schéma / Aufstellzeichnung / Installation diagram

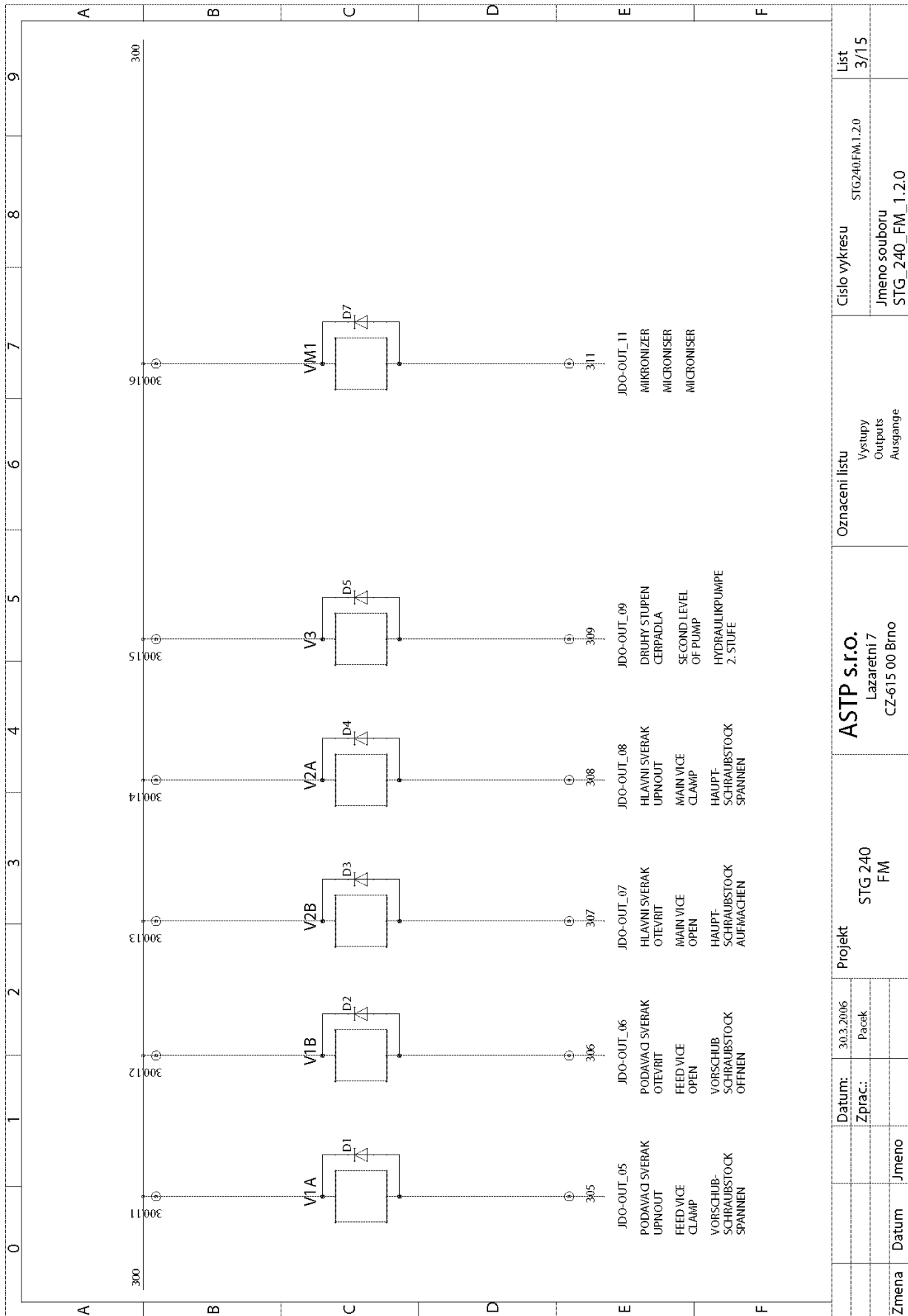
22. Elektrická schémata / Elektroschemas / Wiring diagrams



Elektrické schéma / Elektroschema / Wiring diagram 1

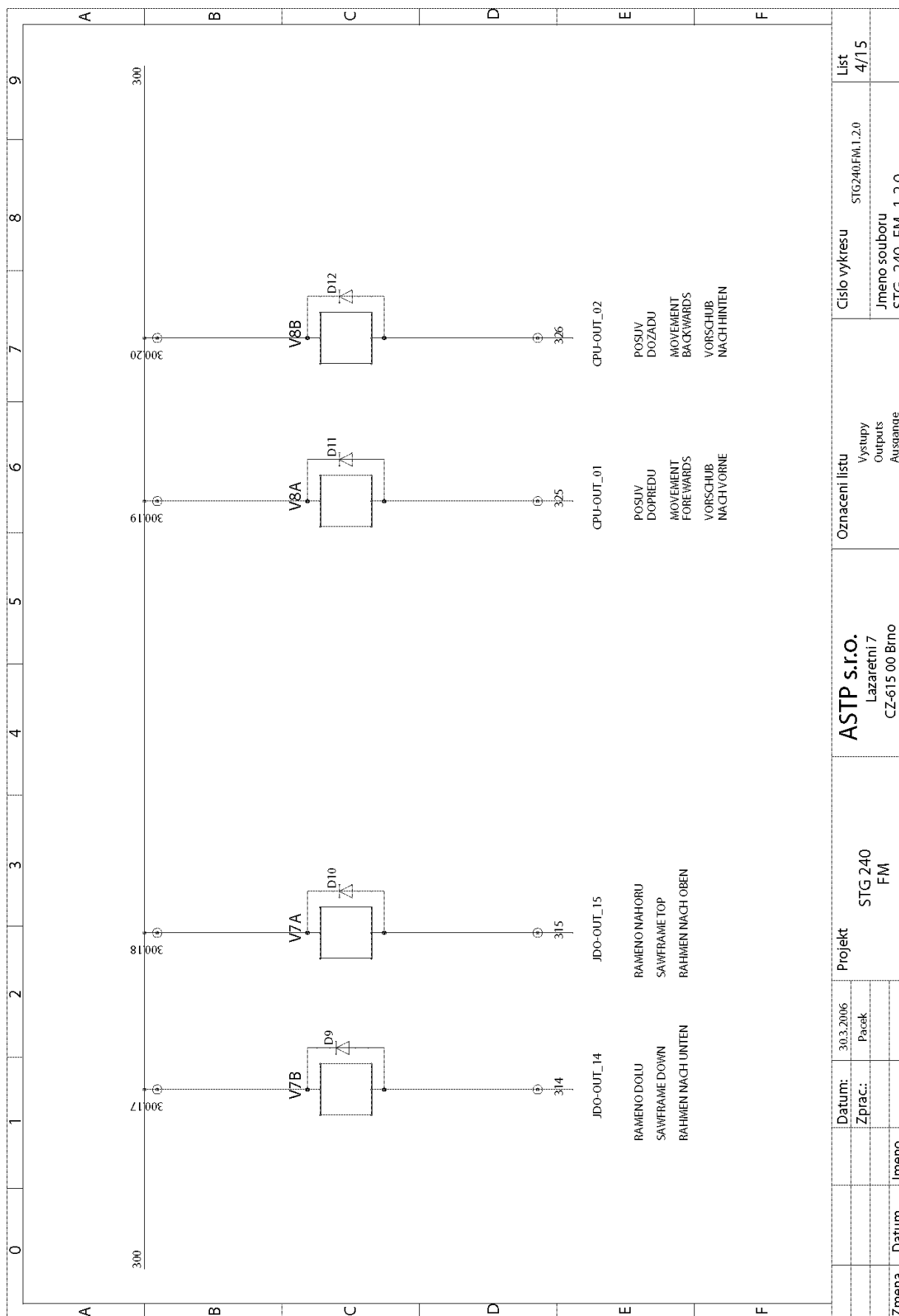


Elektrické schéma / Elektroschema / Wiring diagram 2

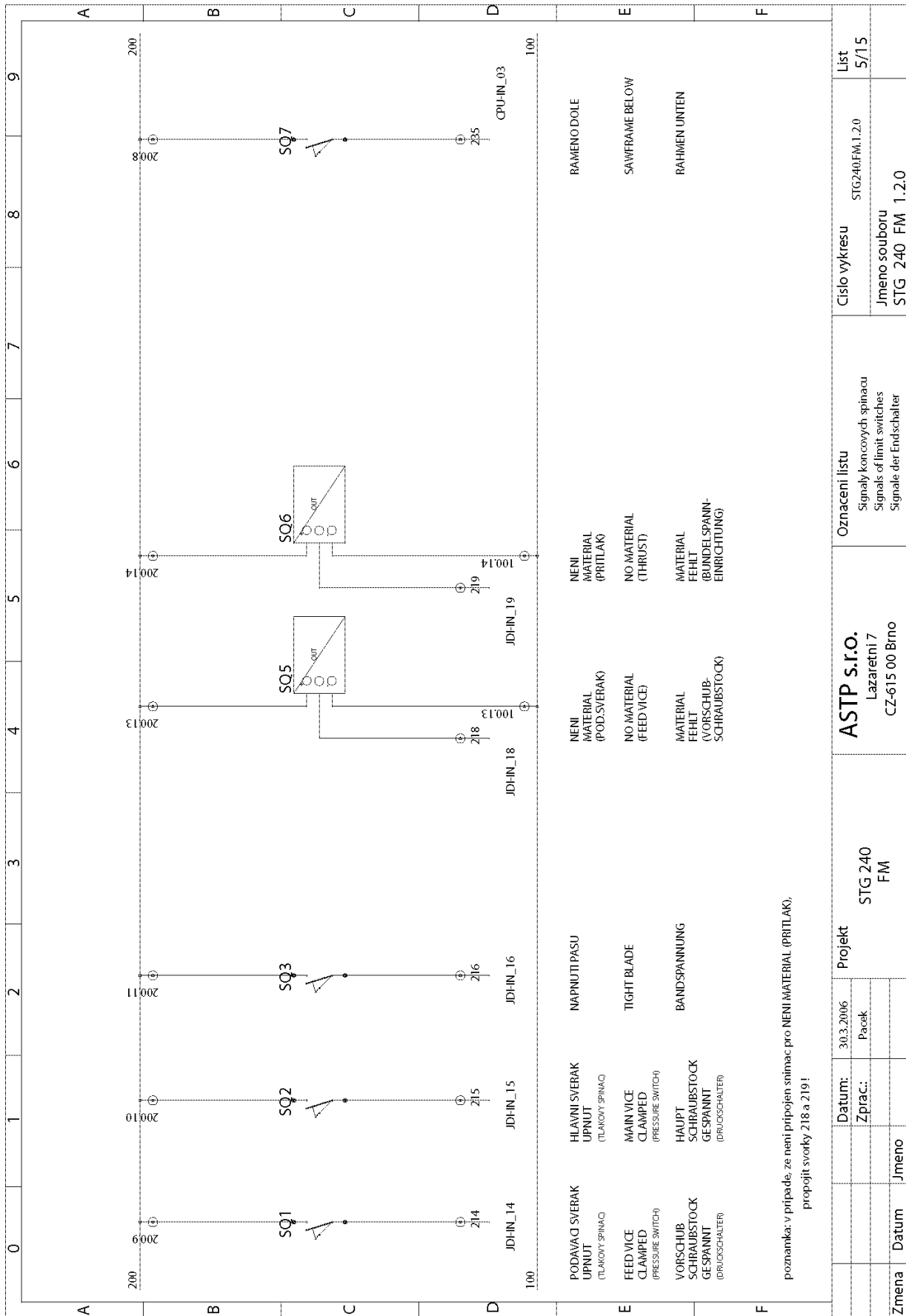


Změna	Datum	Jmeno
Datum:	30.3.2006	
Zprac:	Pacek	
Projekt		
STG 240 FM		
ASTP s.r.o.		
Lazaretní 7		
CZ-615 00 Brno		
Oznaceni listu		
Vystupy		
Outputs		
Ausgänge		
Císlo vykresu		
STG240.FM.1.2.0		
Jmeno souboru		
STG_240_FM_1.2.0		
List		
3/15		

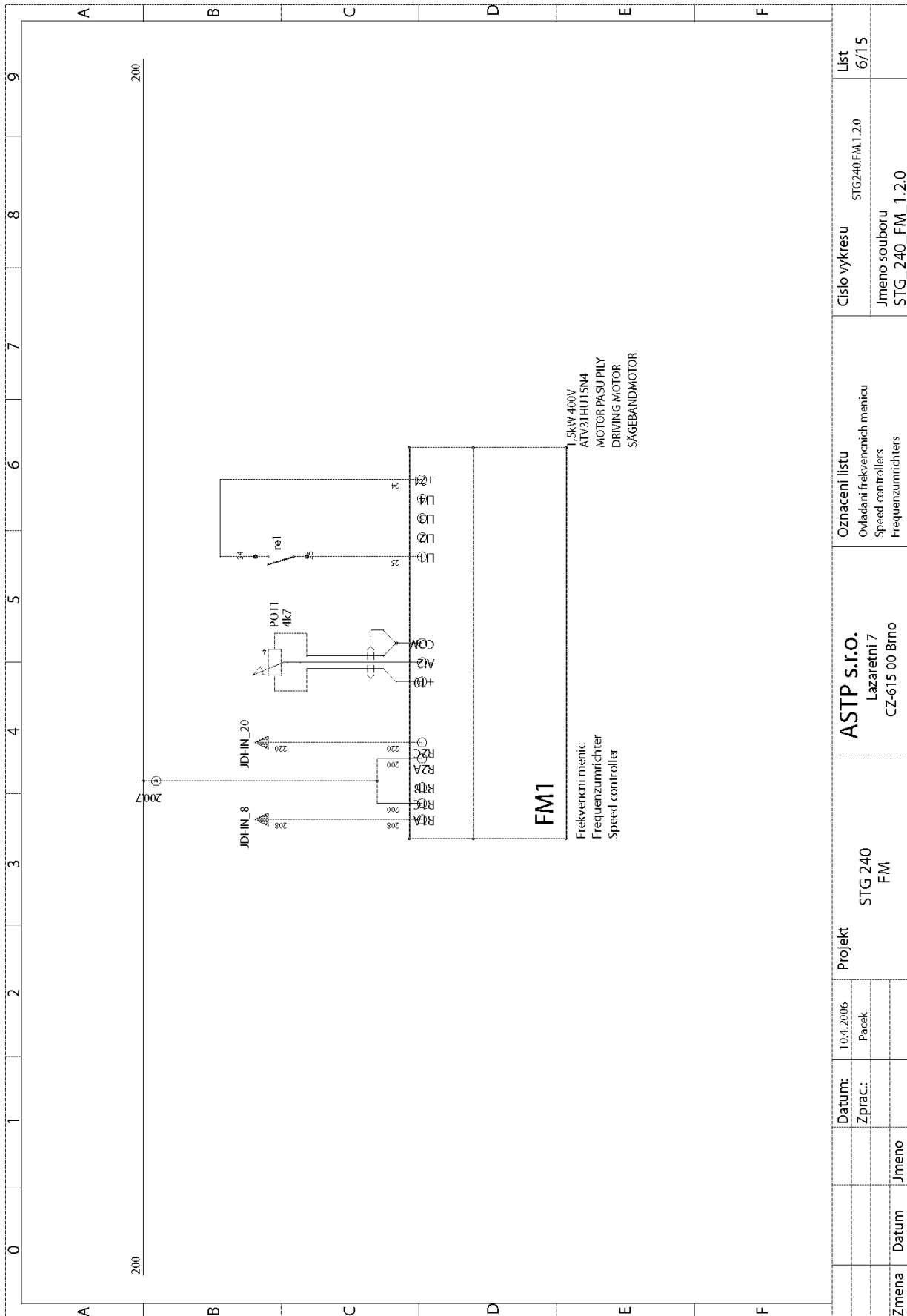
Elektrické schéma / Elektroschema / Wiring diagram 3



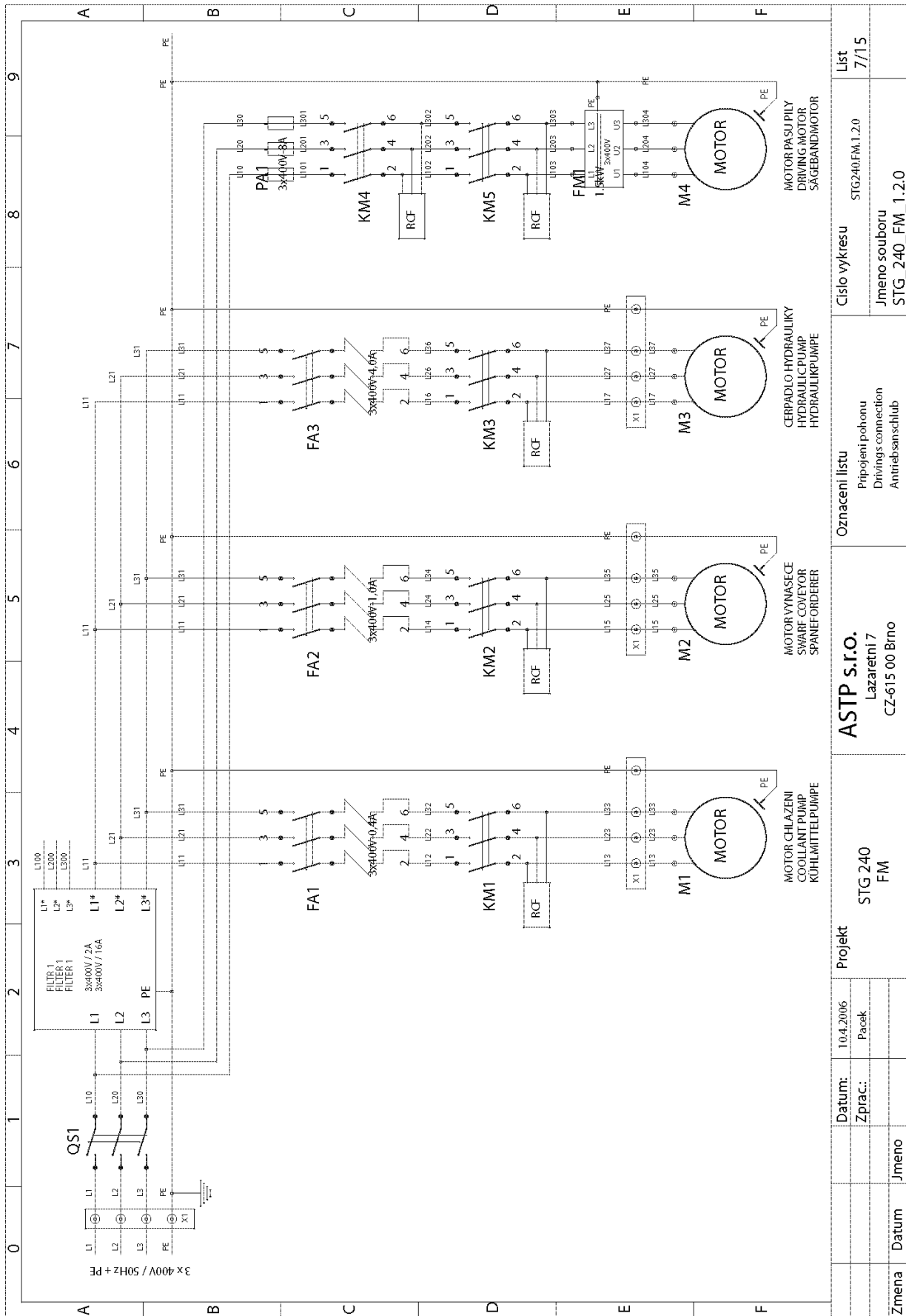
Elektrické schéma / Elektroschema / Wiring diagram 4



Elektrické schéma / Elektroschema / Wiring diagram 5

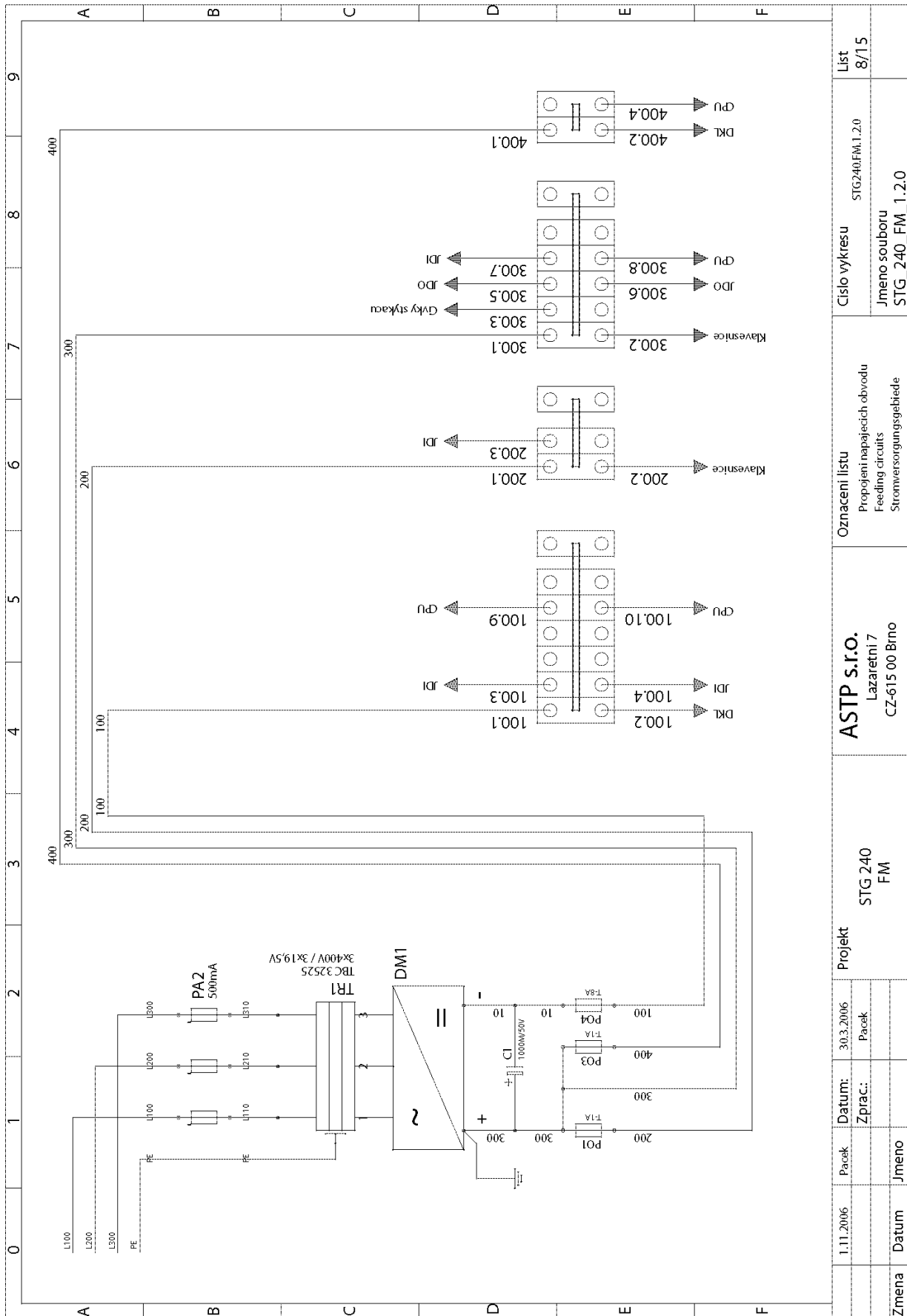


Elektrické schéma / Elektroschema / Wiring diagram 6

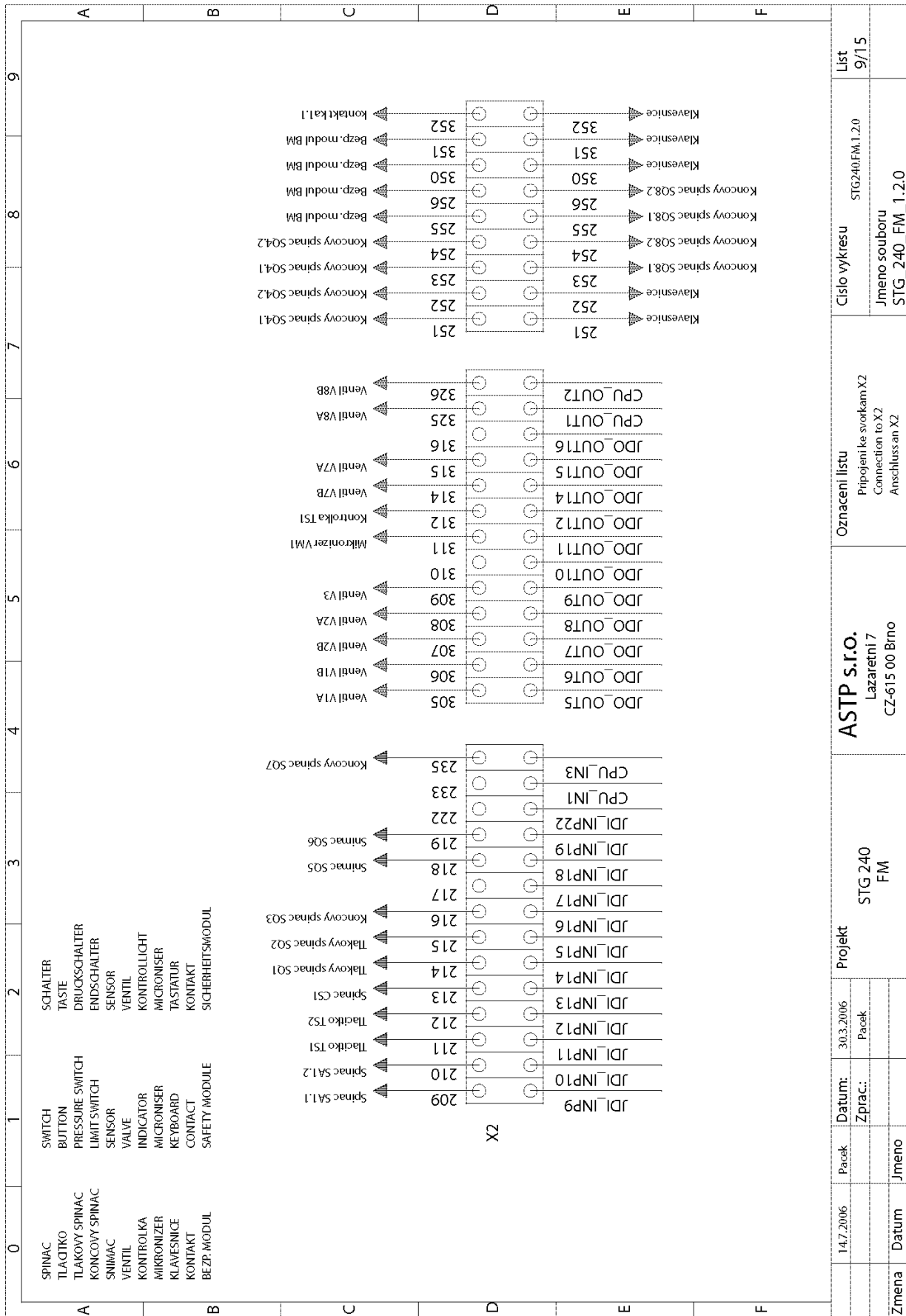


Elektrické schéma / Elektroschema / Wiring diagram 7

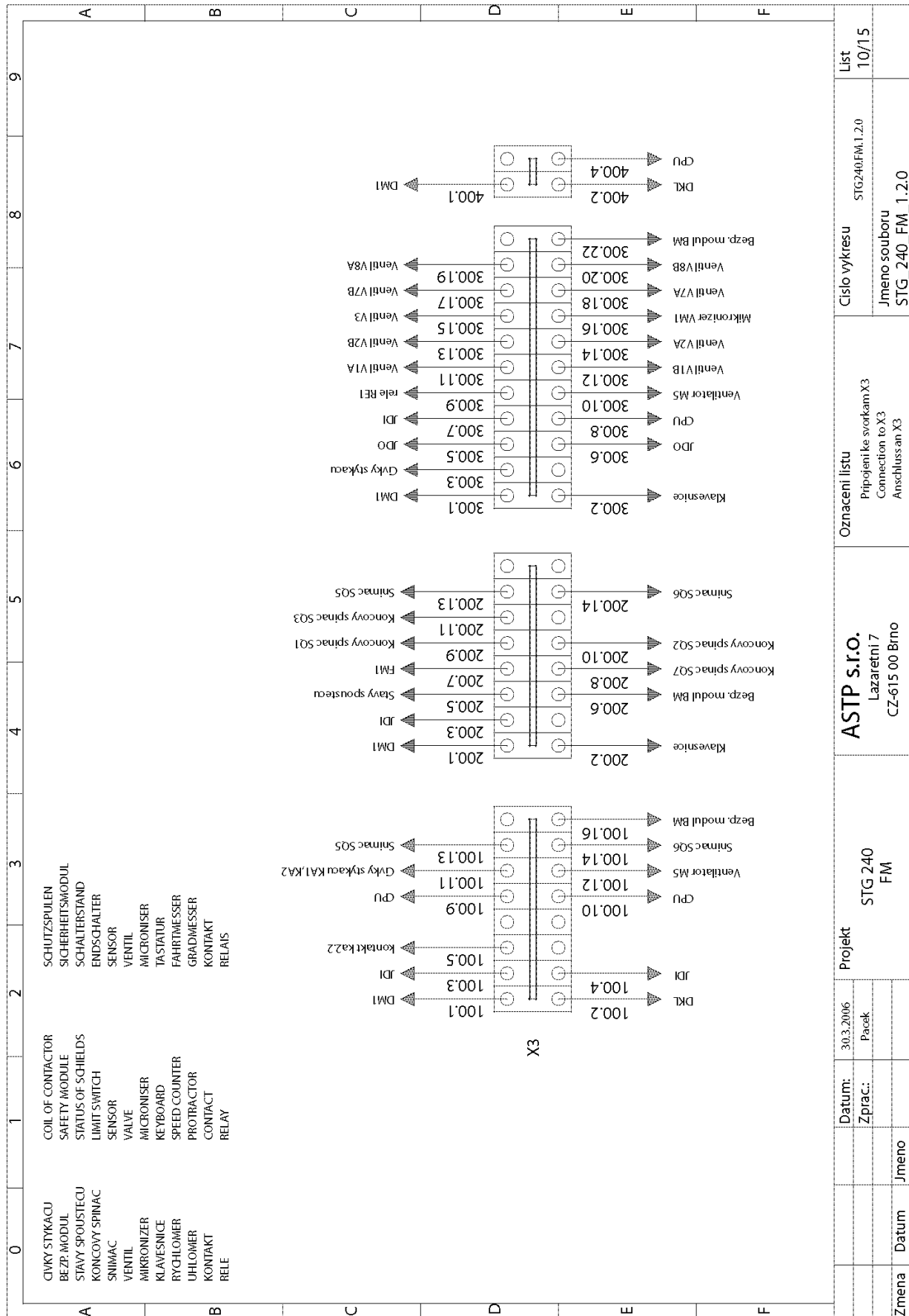
Zmena	Datum	Jmeno	Datum:	10.4.2006	Projekt	STG 240 FM	ASTP s.r.o. Lazaretni 7 CZ-615 00 Brno	Oznaceni listu	Pripojeni pohonu Drivings connection Antriebsanschluß	Cislo vykresu	STG240FM.1.2.0	List	7/15
			Zprac:	Pacek						Jmeno souboru	STG_240_FM_1.2.0		



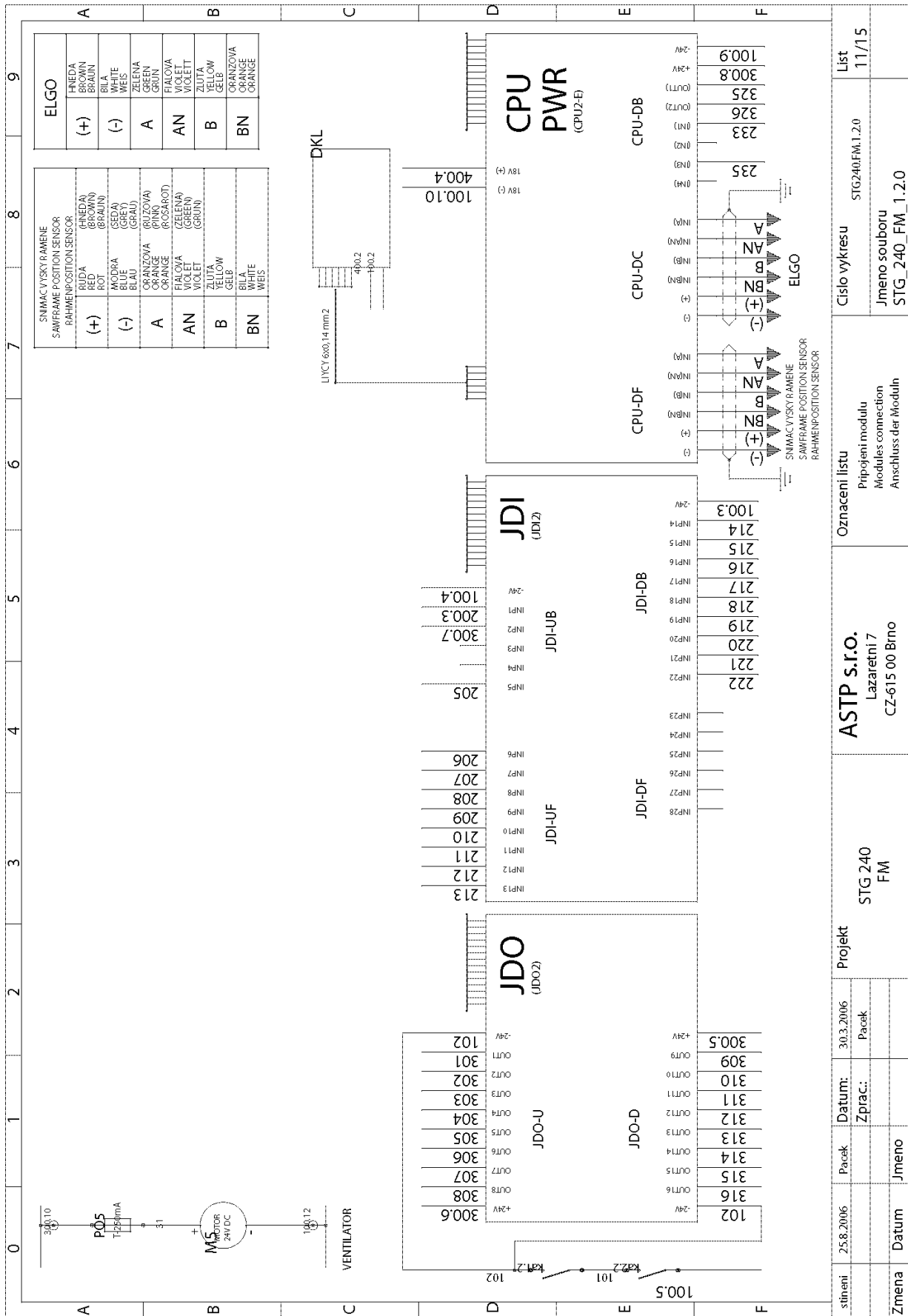
Elektrické schéma / Elektroschema / Wiring diagram 8



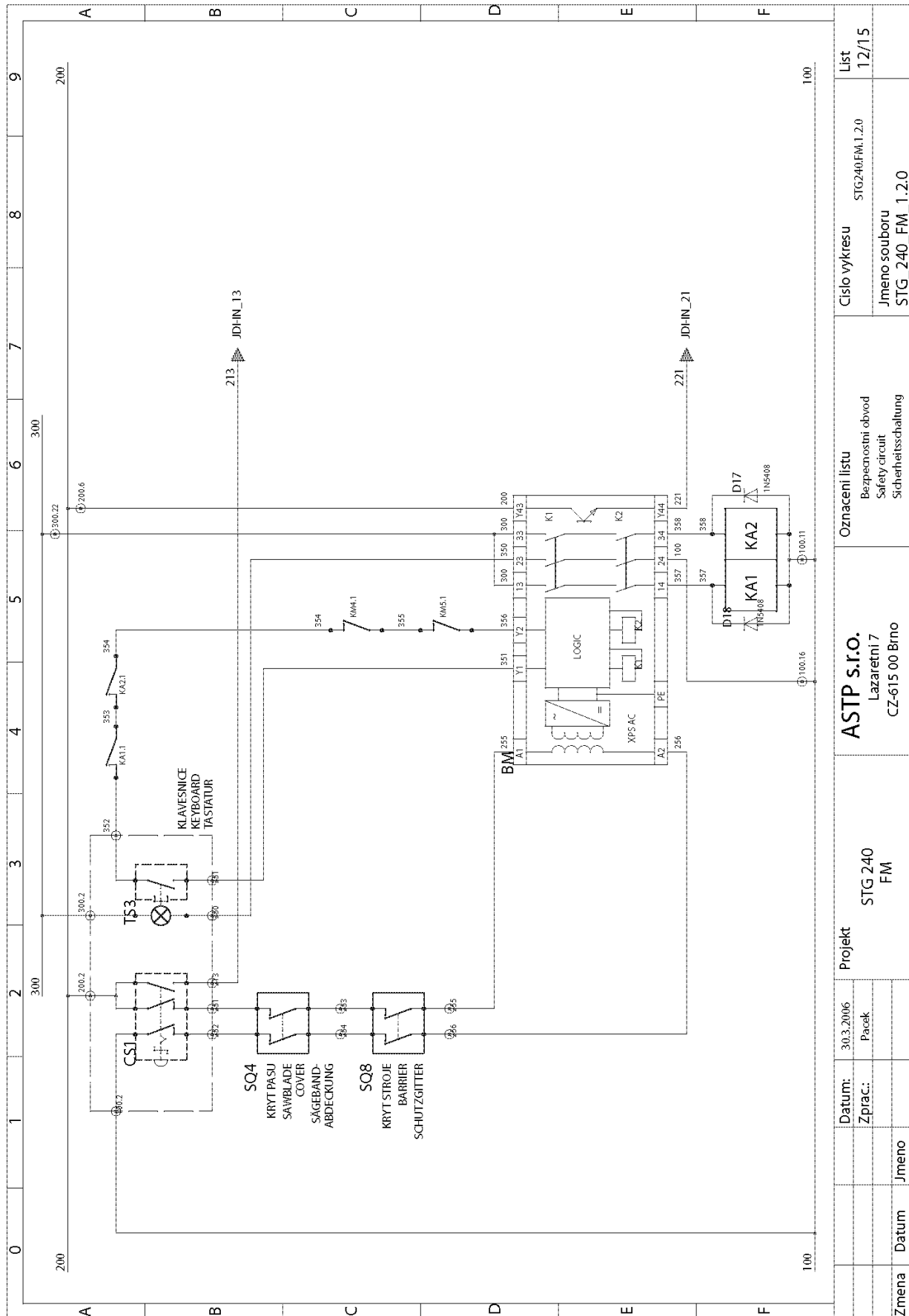
Elektrické schéma / Elektroschema / Wiring diagram 9



Elektrické schéma / Elektroschema / Wiring diagram 10

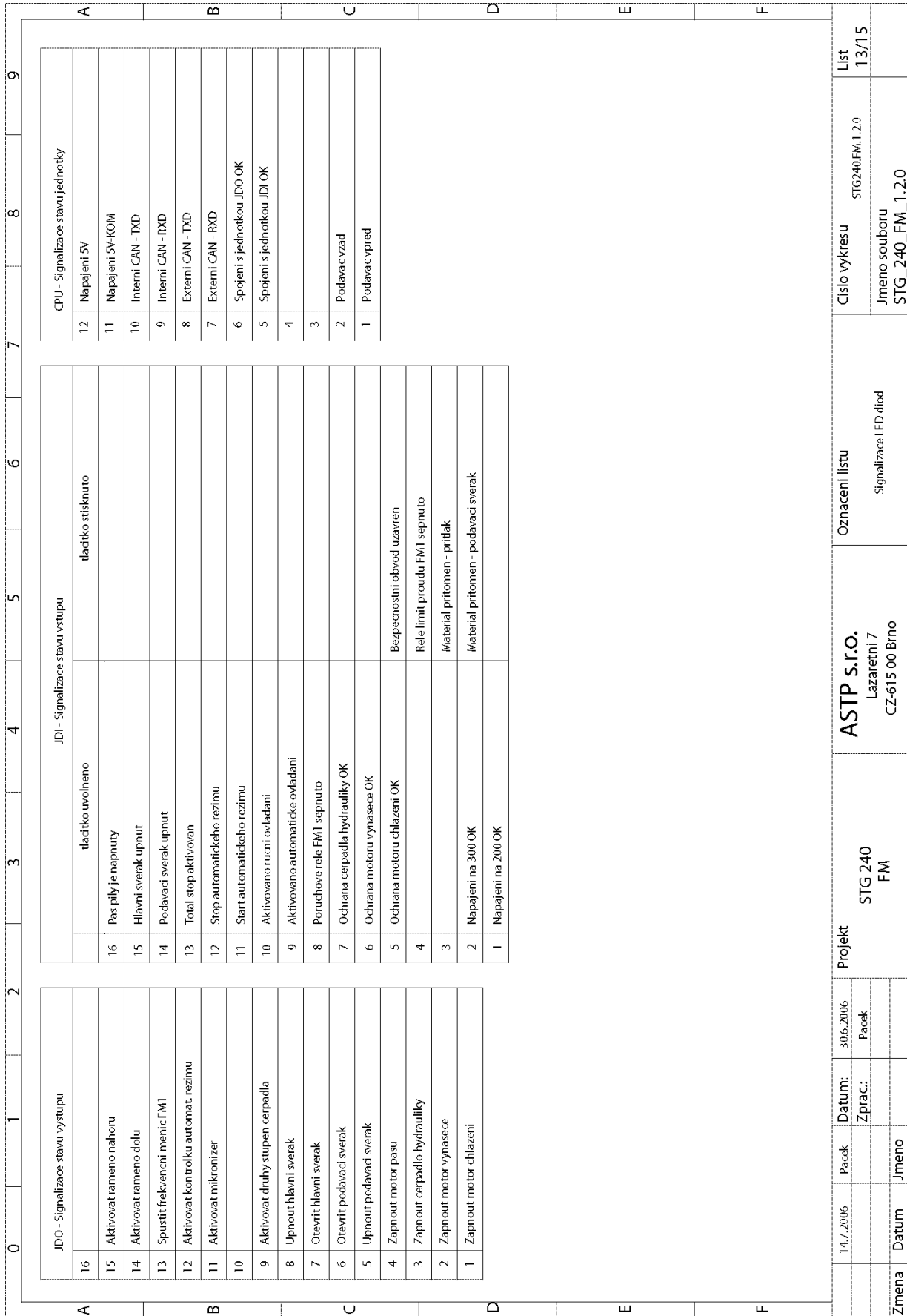


Elektrické schéma / Elektroschema / Wiring diagram 11



Zmena	Datum	Jmeno	Datum	Zprac:	Pacek	Projekt	STG 240 FM	ASTP s.r.o. Lazaretni 7 CZ-615 00 Brno	Oznaceni listu Bezpečnostní obvod Safety circuit Sicherheitsschaltung	Císlo vykresu STG240FM1.2.0 Jmeno souboru STG_240_FM_1.2.0	List 12/15
-------	-------	-------	-------	--------	-------	---------	------------	--	--	---	---------------

Elektrické schéma / Elektroschema / Wiring diagram 12



Elektrické schéma / Elektroschema / Wiring diagram 13

	0	1	2	3	4	5	6	7	8	9																																			
A	<table border="1"> <thead> <tr> <th colspan="2">JDO - Output State Signalization</th> </tr> </thead> <tbody> <tr><td>16</td><td>Put the arm up</td></tr> <tr><td>15</td><td>Put the arm down</td></tr> <tr><td>14</td><td>Start up speed controller FMI</td></tr> <tr><td>13</td><td>Switch on the automatic cycle indicator</td></tr> <tr><td>12</td><td>Activate the microniser</td></tr> <tr><td>11</td><td>Shift the pump into second stage</td></tr> <tr><td>10</td><td>Close the main gripper</td></tr> <tr><td>9</td><td>Open the main gripper</td></tr> <tr><td>8</td><td>Open the feeding gripper</td></tr> <tr><td>7</td><td>Close the feeding gripper</td></tr> <tr><td>6</td><td>Turn on the band motor</td></tr> <tr><td>5</td><td>Turn on the hydraulic pump</td></tr> <tr><td>4</td><td>Turn on the swarf-removal motor</td></tr> <tr><td>3</td><td>Turn on the cooling motor</td></tr> <tr><td>2</td><td></td></tr> <tr><td>1</td><td></td></tr> </tbody> </table>											JDO - Output State Signalization		16	Put the arm up	15	Put the arm down	14	Start up speed controller FMI	13	Switch on the automatic cycle indicator	12	Activate the microniser	11	Shift the pump into second stage	10	Close the main gripper	9	Open the main gripper	8	Open the feeding gripper	7	Close the feeding gripper	6	Turn on the band motor	5	Turn on the hydraulic pump	4	Turn on the swarf-removal motor	3	Turn on the cooling motor	2		1	
JDO - Output State Signalization																																													
16	Put the arm up																																												
15	Put the arm down																																												
14	Start up speed controller FMI																																												
13	Switch on the automatic cycle indicator																																												
12	Activate the microniser																																												
11	Shift the pump into second stage																																												
10	Close the main gripper																																												
9	Open the main gripper																																												
8	Open the feeding gripper																																												
7	Close the feeding gripper																																												
6	Turn on the band motor																																												
5	Turn on the hydraulic pump																																												
4	Turn on the swarf-removal motor																																												
3	Turn on the cooling motor																																												
2																																													
1																																													
B	<table border="1"> <thead> <tr> <th colspan="2">JDI - Input State Signalization</th> </tr> </thead> <tbody> <tr><td>16</td><td>button released</td></tr> <tr><td>15</td><td>The sawband is tight</td></tr> <tr><td>14</td><td>Main gripper is closed</td></tr> <tr><td>13</td><td>Feeding gripper is closed</td></tr> <tr><td>12</td><td>Total stop activated</td></tr> <tr><td>11</td><td>Automatic mode stopped</td></tr> <tr><td>10</td><td>Automatic mode started</td></tr> <tr><td>9</td><td>Manual control activated</td></tr> <tr><td>8</td><td>Automatic control activated</td></tr> <tr><td>7</td><td>Speed controller FMI failure relay on state</td></tr> <tr><td>6</td><td>Hydraulic pump protection is OK</td></tr> <tr><td>5</td><td>Swarf-removal motor protection is OK</td></tr> <tr><td>4</td><td>Cooling motor protection is OK</td></tr> <tr><td>3</td><td></td></tr> <tr><td>2</td><td></td></tr> <tr><td>1</td><td></td></tr> </tbody> </table>											JDI - Input State Signalization		16	button released	15	The sawband is tight	14	Main gripper is closed	13	Feeding gripper is closed	12	Total stop activated	11	Automatic mode stopped	10	Automatic mode started	9	Manual control activated	8	Automatic control activated	7	Speed controller FMI failure relay on state	6	Hydraulic pump protection is OK	5	Swarf-removal motor protection is OK	4	Cooling motor protection is OK	3		2		1	
JDI - Input State Signalization																																													
16	button released																																												
15	The sawband is tight																																												
14	Main gripper is closed																																												
13	Feeding gripper is closed																																												
12	Total stop activated																																												
11	Automatic mode stopped																																												
10	Automatic mode started																																												
9	Manual control activated																																												
8	Automatic control activated																																												
7	Speed controller FMI failure relay on state																																												
6	Hydraulic pump protection is OK																																												
5	Swarf-removal motor protection is OK																																												
4	Cooling motor protection is OK																																												
3																																													
2																																													
1																																													
C	<table border="1"> <thead> <tr> <th colspan="2">CPU - Unit State Signalization</th> </tr> </thead> <tbody> <tr><td>12</td><td>Voltage 5V</td></tr> <tr><td>11</td><td>Voltage 5V-KOM</td></tr> <tr><td>10</td><td>Internal CAN - TXD</td></tr> <tr><td>9</td><td>Internal CAN - RXD</td></tr> <tr><td>8</td><td>External CAN - TXD</td></tr> <tr><td>7</td><td>External CAN - RXD</td></tr> <tr><td>6</td><td>Connection with JDO unit OK</td></tr> <tr><td>5</td><td>Connection with JDI unit OK</td></tr> <tr><td>4</td><td></td></tr> <tr><td>3</td><td></td></tr> <tr><td>2</td><td>Feeder to the back</td></tr> <tr><td>1</td><td>Feeder to the front</td></tr> </tbody> </table>											CPU - Unit State Signalization		12	Voltage 5V	11	Voltage 5V-KOM	10	Internal CAN - TXD	9	Internal CAN - RXD	8	External CAN - TXD	7	External CAN - RXD	6	Connection with JDO unit OK	5	Connection with JDI unit OK	4		3		2	Feeder to the back	1	Feeder to the front								
CPU - Unit State Signalization																																													
12	Voltage 5V																																												
11	Voltage 5V-KOM																																												
10	Internal CAN - TXD																																												
9	Internal CAN - RXD																																												
8	External CAN - TXD																																												
7	External CAN - RXD																																												
6	Connection with JDO unit OK																																												
5	Connection with JDI unit OK																																												
4																																													
3																																													
2	Feeder to the back																																												
1	Feeder to the front																																												
D	<table border="1"> <thead> <tr> <th colspan="2">JDI - Input State Signalization</th> </tr> </thead> <tbody> <tr><td>16</td><td>button released</td></tr> <tr><td>15</td><td>The sawband is tight</td></tr> <tr><td>14</td><td>Main gripper is closed</td></tr> <tr><td>13</td><td>Feeding gripper is closed</td></tr> <tr><td>12</td><td>Total stop activated</td></tr> <tr><td>11</td><td>Automatic mode stopped</td></tr> <tr><td>10</td><td>Automatic mode started</td></tr> <tr><td>9</td><td>Manual control activated</td></tr> <tr><td>8</td><td>Automatic control activated</td></tr> <tr><td>7</td><td>Speed controller FMI failure relay on state</td></tr> <tr><td>6</td><td>Hydraulic pump protection is OK</td></tr> <tr><td>5</td><td>Swarf-removal motor protection is OK</td></tr> <tr><td>4</td><td>Cooling motor protection is OK</td></tr> <tr><td>3</td><td></td></tr> <tr><td>2</td><td></td></tr> <tr><td>1</td><td></td></tr> </tbody> </table>											JDI - Input State Signalization		16	button released	15	The sawband is tight	14	Main gripper is closed	13	Feeding gripper is closed	12	Total stop activated	11	Automatic mode stopped	10	Automatic mode started	9	Manual control activated	8	Automatic control activated	7	Speed controller FMI failure relay on state	6	Hydraulic pump protection is OK	5	Swarf-removal motor protection is OK	4	Cooling motor protection is OK	3		2		1	
JDI - Input State Signalization																																													
16	button released																																												
15	The sawband is tight																																												
14	Main gripper is closed																																												
13	Feeding gripper is closed																																												
12	Total stop activated																																												
11	Automatic mode stopped																																												
10	Automatic mode started																																												
9	Manual control activated																																												
8	Automatic control activated																																												
7	Speed controller FMI failure relay on state																																												
6	Hydraulic pump protection is OK																																												
5	Swarf-removal motor protection is OK																																												
4	Cooling motor protection is OK																																												
3																																													
2																																													
1																																													
E	<table border="1"> <thead> <tr> <th colspan="2">CPU - Unit State Signalization</th> </tr> </thead> <tbody> <tr><td>12</td><td>Voltage 5V</td></tr> <tr><td>11</td><td>Voltage 5V-KOM</td></tr> <tr><td>10</td><td>Internal CAN - TXD</td></tr> <tr><td>9</td><td>Internal CAN - RXD</td></tr> <tr><td>8</td><td>External CAN - TXD</td></tr> <tr><td>7</td><td>External CAN - RXD</td></tr> <tr><td>6</td><td>Connection with JDO unit OK</td></tr> <tr><td>5</td><td>Connection with JDI unit OK</td></tr> <tr><td>4</td><td></td></tr> <tr><td>3</td><td></td></tr> <tr><td>2</td><td>Feeder to the back</td></tr> <tr><td>1</td><td>Feeder to the front</td></tr> </tbody> </table>											CPU - Unit State Signalization		12	Voltage 5V	11	Voltage 5V-KOM	10	Internal CAN - TXD	9	Internal CAN - RXD	8	External CAN - TXD	7	External CAN - RXD	6	Connection with JDO unit OK	5	Connection with JDI unit OK	4		3		2	Feeder to the back	1	Feeder to the front								
CPU - Unit State Signalization																																													
12	Voltage 5V																																												
11	Voltage 5V-KOM																																												
10	Internal CAN - TXD																																												
9	Internal CAN - RXD																																												
8	External CAN - TXD																																												
7	External CAN - RXD																																												
6	Connection with JDO unit OK																																												
5	Connection with JDI unit OK																																												
4																																													
3																																													
2	Feeder to the back																																												
1	Feeder to the front																																												
F	<table border="1"> <thead> <tr> <th colspan="2">JDO - Output State Signalization</th> </tr> </thead> <tbody> <tr><td>16</td><td>Put the arm up</td></tr> <tr><td>15</td><td>Put the arm down</td></tr> <tr><td>14</td><td>Start up speed controller FMI</td></tr> <tr><td>13</td><td>Switch on the automatic cycle indicator</td></tr> <tr><td>12</td><td>Activate the microniser</td></tr> <tr><td>11</td><td>Shift the pump into second stage</td></tr> <tr><td>10</td><td>Close the main gripper</td></tr> <tr><td>9</td><td>Open the main gripper</td></tr> <tr><td>8</td><td>Open the feeding gripper</td></tr> <tr><td>7</td><td>Close the feeding gripper</td></tr> <tr><td>6</td><td>Turn on the band motor</td></tr> <tr><td>5</td><td>Turn on the hydraulic pump</td></tr> <tr><td>4</td><td>Turn on the swarf-removal motor</td></tr> <tr><td>3</td><td>Turn on the cooling motor</td></tr> <tr><td>2</td><td></td></tr> <tr><td>1</td><td></td></tr> </tbody> </table>											JDO - Output State Signalization		16	Put the arm up	15	Put the arm down	14	Start up speed controller FMI	13	Switch on the automatic cycle indicator	12	Activate the microniser	11	Shift the pump into second stage	10	Close the main gripper	9	Open the main gripper	8	Open the feeding gripper	7	Close the feeding gripper	6	Turn on the band motor	5	Turn on the hydraulic pump	4	Turn on the swarf-removal motor	3	Turn on the cooling motor	2		1	
JDO - Output State Signalization																																													
16	Put the arm up																																												
15	Put the arm down																																												
14	Start up speed controller FMI																																												
13	Switch on the automatic cycle indicator																																												
12	Activate the microniser																																												
11	Shift the pump into second stage																																												
10	Close the main gripper																																												
9	Open the main gripper																																												
8	Open the feeding gripper																																												
7	Close the feeding gripper																																												
6	Turn on the band motor																																												
5	Turn on the hydraulic pump																																												
4	Turn on the swarf-removal motor																																												
3	Turn on the cooling motor																																												
2																																													
1																																													

Zmena	Datum	Jmeno	Datum:	30.6.2006	Pacek	Projekt	STG 240 FM	Oznaceni listu	ASTP s.r.o. Lazaretni 7 CZ-615 00 Brno	Description of LED diodes signalization	Cislo vykresu	STG240.FM.1.2.0	List	14/15
			Zprac:	Pacek							Jmeno souboru	STG_240_FM_1.2.0		

Elektrické schéma / Elektroschema / Wiring diagram 14

	0	1	2	3	4	5	6	7	8	9																																																																																																																								
A	<table border="1"> <thead> <tr> <th colspan="2">JDO - Ausgabe - Standardanzeige</th> <th colspan="2">JDI - Eingabe - Standardanzeige</th> <th colspan="2">CPU - Ausgabe - Einheitsstand</th> </tr> </thead> <tbody> <tr> <td>16</td> <td>Sägerahmen heben</td> <td>laste gelöst</td> <td>laste gedrückt</td> <td>12</td> <td>Versorgung 5V</td> </tr> <tr> <td>15</td> <td>Sägerahmen senken</td> <td>Sägeband gespannt</td> <td></td> <td>11</td> <td>Versorgung 5V-KOM</td> </tr> <tr> <td>14</td> <td>Frequenzumrichter FM1 einschalten</td> <td>Hauptschraubstock gespannt</td> <td></td> <td>10</td> <td>Intern CAN - TXD</td> </tr> <tr> <td>13</td> <td>Kontrollleuchte (automat. Betrieb) aktivieren</td> <td>Vorschraubstock gespannt</td> <td></td> <td>9</td> <td>Extern CAN - RXD</td> </tr> <tr> <td>12</td> <td>Micromiser aktivieren</td> <td>NOT-AUS laste aktiviert</td> <td></td> <td>8</td> <td>Extern CAN - TXD</td> </tr> <tr> <td>11</td> <td>Zweite Stufe der Hydraulikp. aktivieren</td> <td>STOP des automatischen Zyklus</td> <td></td> <td>7</td> <td>Extern CAN - RXD</td> </tr> <tr> <td>10</td> <td>Hauptschraubstock spannen</td> <td>START des automatischen Zyklus</td> <td></td> <td>6</td> <td>Verbindung mit JDO-Einheit OK</td> </tr> <tr> <td>9</td> <td>Hauptschraubstock öffnen</td> <td>Manuelles Bedienen aktiviert</td> <td></td> <td>5</td> <td>Verbindung mit JDI-Einheit OK</td> </tr> <tr> <td>8</td> <td>Vorschraubstock öffnen</td> <td>Automatisches Bedienen aktiviert</td> <td></td> <td>4</td> <td></td> </tr> <tr> <td>7</td> <td>Vorschraubstock spannen</td> <td>Störungsrelais des FM1 eingeschaltet</td> <td></td> <td>3</td> <td></td> </tr> <tr> <td>6</td> <td>Sägebandantrieb einschalten</td> <td>Schutz der Hydraulikpumpe OK</td> <td></td> <td>2</td> <td>Vorschub nach hinten</td> </tr> <tr> <td>5</td> <td>Hydraulikpumpe einschalten</td> <td>Schutz des Spänförderers OK</td> <td></td> <td>1</td> <td>Vorschub nach vorne</td> </tr> <tr> <td>4</td> <td>Spänförderer einschalten</td> <td>Schutz der Kühlmittelpumpe OK</td> <td></td> <td></td> <td></td> </tr> <tr> <td>3</td> <td>Kühlmittelpumpe einschalten</td> <td>Sicherheitsschaltung verbunden</td> <td></td> <td></td> <td></td> </tr> <tr> <td>2</td> <td></td> <td>Grenzstromrelais des FM1 eingeschaltet</td> <td></td> <td></td> <td></td> </tr> <tr> <td>1</td> <td></td> <td>Material anwesend - Bündelspanneinrich.</td> <td></td> <td></td> <td></td> </tr> <tr> <td></td> <td></td> <td>Material anwesend - Vorschubschraub.</td> <td></td> <td></td> <td></td> </tr> <tr> <td></td> <td></td> <td>Versorgung an 300 OK</td> <td></td> <td></td> <td></td> </tr> <tr> <td></td> <td></td> <td>Versorgung an 200 OK</td> <td></td> <td></td> <td></td> </tr> </tbody> </table>										JDO - Ausgabe - Standardanzeige		JDI - Eingabe - Standardanzeige		CPU - Ausgabe - Einheitsstand		16	Sägerahmen heben	laste gelöst	laste gedrückt	12	Versorgung 5V	15	Sägerahmen senken	Sägeband gespannt		11	Versorgung 5V-KOM	14	Frequenzumrichter FM1 einschalten	Hauptschraubstock gespannt		10	Intern CAN - TXD	13	Kontrollleuchte (automat. Betrieb) aktivieren	Vorschraubstock gespannt		9	Extern CAN - RXD	12	Micromiser aktivieren	NOT-AUS laste aktiviert		8	Extern CAN - TXD	11	Zweite Stufe der Hydraulikp. aktivieren	STOP des automatischen Zyklus		7	Extern CAN - RXD	10	Hauptschraubstock spannen	START des automatischen Zyklus		6	Verbindung mit JDO-Einheit OK	9	Hauptschraubstock öffnen	Manuelles Bedienen aktiviert		5	Verbindung mit JDI-Einheit OK	8	Vorschraubstock öffnen	Automatisches Bedienen aktiviert		4		7	Vorschraubstock spannen	Störungsrelais des FM1 eingeschaltet		3		6	Sägebandantrieb einschalten	Schutz der Hydraulikpumpe OK		2	Vorschub nach hinten	5	Hydraulikpumpe einschalten	Schutz des Spänförderers OK		1	Vorschub nach vorne	4	Spänförderer einschalten	Schutz der Kühlmittelpumpe OK				3	Kühlmittelpumpe einschalten	Sicherheitsschaltung verbunden				2		Grenzstromrelais des FM1 eingeschaltet				1		Material anwesend - Bündelspanneinrich.						Material anwesend - Vorschubschraub.						Versorgung an 300 OK						Versorgung an 200 OK			
JDO - Ausgabe - Standardanzeige		JDI - Eingabe - Standardanzeige		CPU - Ausgabe - Einheitsstand																																																																																																																														
16	Sägerahmen heben	laste gelöst	laste gedrückt	12	Versorgung 5V																																																																																																																													
15	Sägerahmen senken	Sägeband gespannt		11	Versorgung 5V-KOM																																																																																																																													
14	Frequenzumrichter FM1 einschalten	Hauptschraubstock gespannt		10	Intern CAN - TXD																																																																																																																													
13	Kontrollleuchte (automat. Betrieb) aktivieren	Vorschraubstock gespannt		9	Extern CAN - RXD																																																																																																																													
12	Micromiser aktivieren	NOT-AUS laste aktiviert		8	Extern CAN - TXD																																																																																																																													
11	Zweite Stufe der Hydraulikp. aktivieren	STOP des automatischen Zyklus		7	Extern CAN - RXD																																																																																																																													
10	Hauptschraubstock spannen	START des automatischen Zyklus		6	Verbindung mit JDO-Einheit OK																																																																																																																													
9	Hauptschraubstock öffnen	Manuelles Bedienen aktiviert		5	Verbindung mit JDI-Einheit OK																																																																																																																													
8	Vorschraubstock öffnen	Automatisches Bedienen aktiviert		4																																																																																																																														
7	Vorschraubstock spannen	Störungsrelais des FM1 eingeschaltet		3																																																																																																																														
6	Sägebandantrieb einschalten	Schutz der Hydraulikpumpe OK		2	Vorschub nach hinten																																																																																																																													
5	Hydraulikpumpe einschalten	Schutz des Spänförderers OK		1	Vorschub nach vorne																																																																																																																													
4	Spänförderer einschalten	Schutz der Kühlmittelpumpe OK																																																																																																																																
3	Kühlmittelpumpe einschalten	Sicherheitsschaltung verbunden																																																																																																																																
2		Grenzstromrelais des FM1 eingeschaltet																																																																																																																																
1		Material anwesend - Bündelspanneinrich.																																																																																																																																
		Material anwesend - Vorschubschraub.																																																																																																																																
		Versorgung an 300 OK																																																																																																																																
		Versorgung an 200 OK																																																																																																																																
B																																																																																																																																		
C																																																																																																																																		
D																																																																																																																																		
E																																																																																																																																		
F																																																																																																																																		
	14.7.2006	Pacek	Datum: 30.6.2006	Projekt	STG 240 FM	ASTP s.r.o. Lazaretní 7 CZ-615 00 Brno	Oznaceni listu LED Standardanzeige	Cislo vykresu STG240.FM.1.2.0	List 15/15																																																																																																																									
Zmena	Datum	Jmeno	Zprac.:					Jmeno souboru STG_240_FM_1.2.0																																																																																																																										

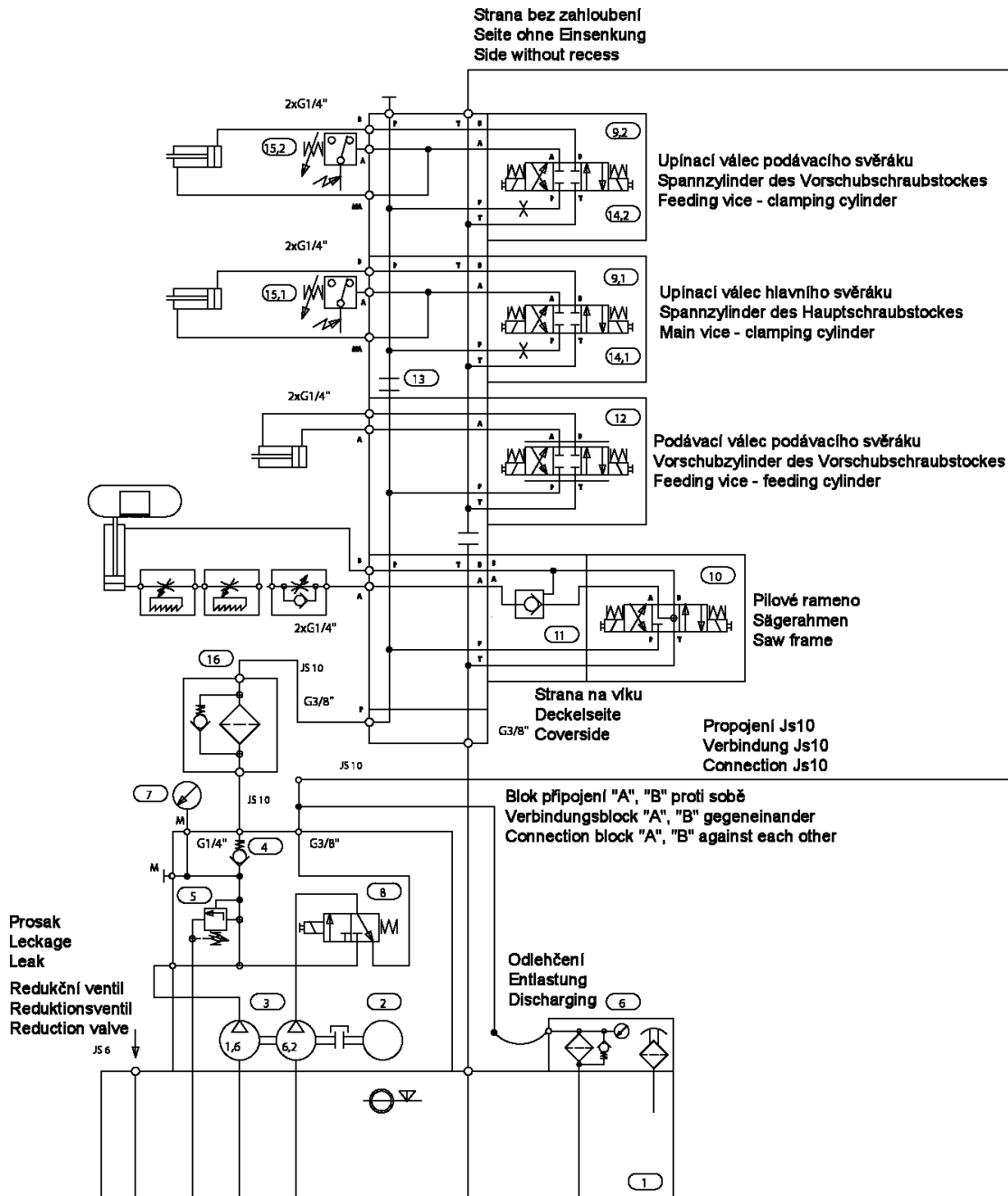
Elektrické schéma / Elektroschema / Wiring diagram 15

23. Kusovník elektrosoučástí / Stückliste der Elektroteilen / Piece list of electroparts

ATTENTION! Only qualified person can do the servicing and repairs. For parts changing, use only parts, which are identical with the originals

Bestell - Nr.	Bezeichnung		Menge	Sign.
Objednáací číslo	Název položky		ks	Ozn.
Reference No.	Item		Pcs.	Sign.
91.041.004	Filtr / Filter / Filter	FZ72460	5	RCF
91.040.004	Stykač / Schütz / Contactor	LP1K0901BD 24Vss	7	KM
91.045.003	Jistič / Schutzzegeerät / Circuit breaker	MS 116/0.4 A ABB	1	FA
91.045.005	Motorový spouštěč / Motor Starter / Motor Starter	MS116-1A(ABB)	1	FA
91.045.009	Motorový spouštěč / Motor Starter / Motor Starter	MS116-6,3A(ABB)	1	FA
91.045.008	Motorový spouštěč / Motor Starter / Motor Starter	MS116 -4,0A (ABB)	1	FA3
91.046.002	Motorový spouštěč / Motor Starter / Motor Starter	HK1-11(ABB)	5	FA1
91.170.005	Vypínač / Ausschalter / Switch		1	QS,Q
91.995.039	Modul / Modul / Modul	JDI-2/2	1	JDI
91.995.040	Modul / Modul / Modul	JDO-2	2	JDO
91.995.048	Modul / Modul / Module	DKL-F5	1	DKL
91.995.060	Modul / Modul / Modul	CPU2-E	1	CPU
91.020.004	Čerpadlo chlazení / Kühlmittelpumpe / Coolant pump	2COP1-14 (POM)	1	M2
91.001.007	Elektromotor / Elektromotor / Electromotor	(TM) 90 2/4 B5	1	M

24. Hydraulická schémata / Hydraulikschemata / Hydraulic diagram



Základní technické parametry:

Technische Spezifikation:

Technical specification:

Q	8+2,1	dm ³ .min ⁻¹	ot.	1410	min ⁻¹
P _{max}	4	MPa	P	1,1	kW

Hydraulické schéma: Hydraulikschemata: Hydraulic diagram:	870-1384	Schéma / Schema / Diagram: Datum / Datum / Date:	8701384B.DWG 29. 05. 2003
---	-----------------	---	------------------------------

Hydraulické schéma / Hydraulikschema / Hydraulic diagram

Poz.	Název položky		ks
Pos.	Bezeichnung		Menge
Pos.	Item		Pcs.
1	Nádrž / Behälter / Tank	N20C - Bomar	1
2	Elektromotor / Elektromotor / Electromotor	MA-AL90S-4	1
3	Hydrogenerátor / Hydraulikaggregat / Hydrogenerator	P2-6,2/1,6L.66313	1
4	Jednosměrný ventil / Einwegventil / One-way valve	VJO1-06/SG-1	1
5	Přepouštěcí ventil / Bypassventil / By pass valve	VPP2-04/S-6S	1
6	Zpětný filtr / Filter / Filter	FR 043-166/0 + DG200-06	1
	Vložka filtru / Filtereinsatz / Filter inset	V3.0510-56	1
7	Manometr / Manometer / Manometer		1
8	Rozváděč / Verteilungsventil / Distributor	ROX1-042D21/02400E1K5	1
9	Rozváděč / Verteilungsventil / Distributor	RPE3-043Z11/02400E1K5	2
10	Rozváděč / Verteilungsventil / Distributor	RPE3-043Y11/02400E1K5	1
11	Hydraulický zámek / Hydraulisches Schloß / Hydraulic lock	VJR1-04/MA	1
12	Proporcionální rozváděč / Wege-Propportionalventil / Proportional distributor	PRM2-043Z11/04-24 MIKRO	1
13	Zátka / Stopfen / Plug		1
14	Tryska / Düse / Nozzle	1,0 mm 406-9006	2
15	Tlakový spínač / Druckschalter / Pressure switch	SUCO 0166 411 031 043	2
16	Tlakový filtr / Druckfilter / Pressure filter	D 042-153	1
	Vložka filtru / Filtereinsatz / Filter inset	V3.0510-03	1

Označení hydraulických hadiček / Bezeichnung der hydraulischen Schlauche / Indication of hydraulic hose:

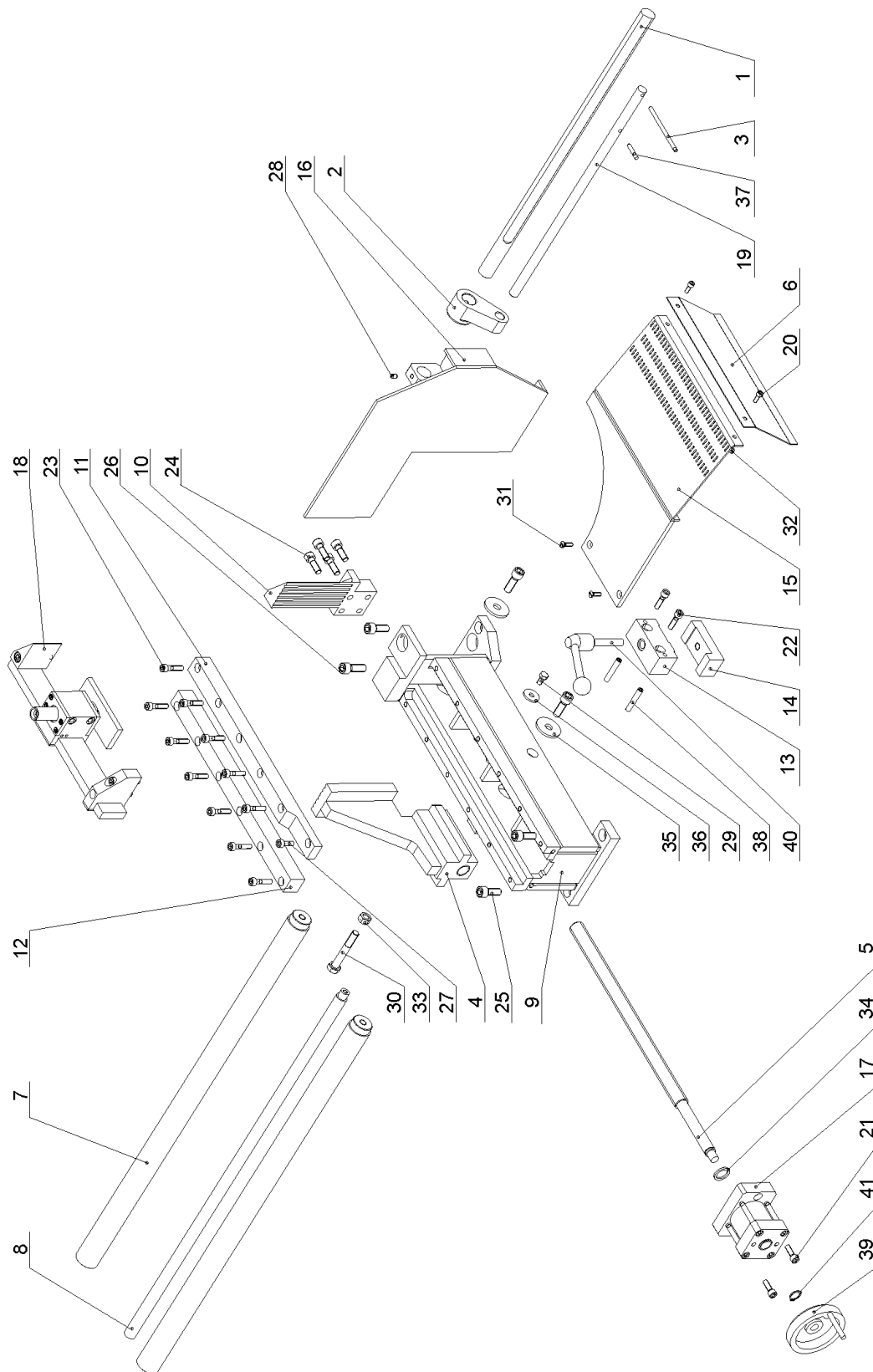
Hydr. hadice	Hadice	Kování	Konc. A	Konc. B	Konc. C	Konc. D	Konc. E	Konc. F	Konc. G	Ks
Hydr. Schlauche	Schlauche	Schmieden	Schlauchtüle A	B	C	D	E	F	G	Menge
Hydr. Hose	hose	forging	terminal A	B	C	D	E	F	G	piece
6BB1600	42.001.001	92.051.001	-	92.053.001	-	-	-	-	-	2
6BB1100	42.001.001	92.051.001	-	92.053.001	-	-	-	-	-	2
6BC1500	42.001.001	92.051.001	-	92.053.001	92.054.001	-	-	-	-	1
6BB1450	42.001.001	92.051.001	-	92.053.001	-	-	-	-	-	1
6BA450	42.001.001	92.051.001	92.052.001	92.053.001	-	-	-	-	-	1
6BA600	42.001.001	92.051.001	92.052.001	92.053.001	-	-	-	-	-	1
6BF400	42.001.001	92.051.001	-	92.053.001	-	-	-	93.012.006	-	1
6BA3250	42.001.001	92.051.001	92.052.001	92.053.001	-	-	-	-	-	1
6AE4700	42.001.001	92.051.001	92.052.001	-	-	-	93.012.004	-	-	1
6BB2550	42.001.001	92.051.001	-	92.053.001	-	-	-	-	-	1
10BB640	42.003.001	92.051.003	-	92.053.002	-	-	-	-	-	1
10BB500	42.003.001	92.051.003	-	92.053.002	-	-	-	-	-	1
Horní přítlak / Obere Andruck / Top pressure										
6AD1000	42.001.001	92.051.001	92.052.001	-	-	92.053.004	-	-	-	2
6AA3700	42.001.001	92.051.001	92.052.001	-	-	-	-	-	-	2
SRDA										
6BA600	42.001.001	92.051.001	92.052.001	92.053.001	-	-	-	-	-	1
6BA760	42.001.001	92.051.001	92.052.001	92.053.001	-	-	-	-	-	1
6BB600	42.001.001	92.051.001	-	92.053.001	-	-	-	-	-	1

25. Výkresy sestav pro objednání náhradních dílů / Zeichnungen für Bestellung der Ersatzteile / Drawing assemblies for spare parts order

Při objednávání náhradních dílů vždy uvádějte: typ stroje (např. STG 120), výrobní číslo (např. 125) a rok výroby (např. 1999).

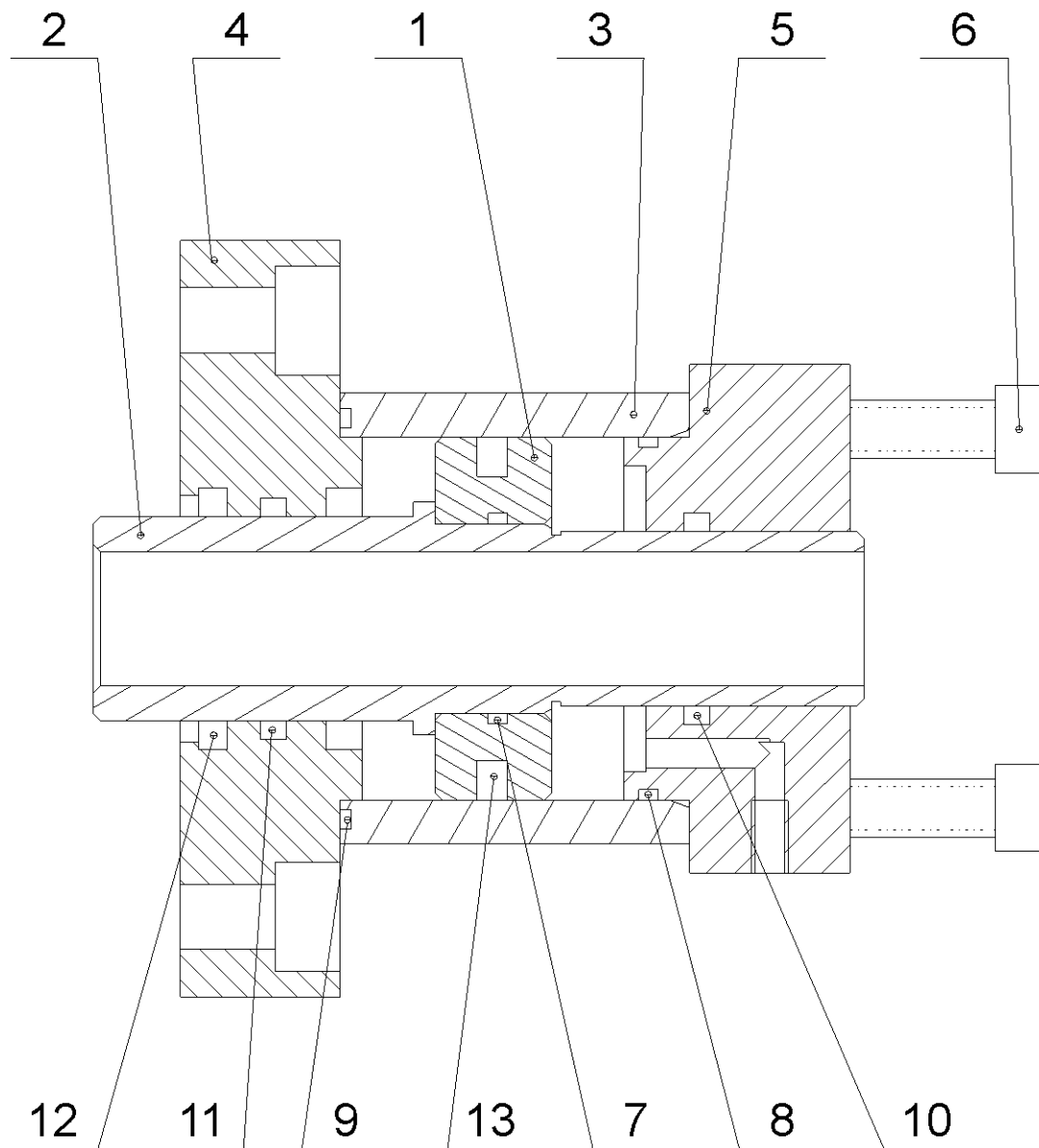
In die Bestellung der Ersatzteile führen Sie immer an:
Maschinentyp (z. B. STG 120), Serien Nr. (z. B. 125) und
Baujahr (z. B. 1999).

For spare parts order, you must always to allege: type of
machine (for example STG 120), serial number (for example 125)
and year of construction (for example 1999).



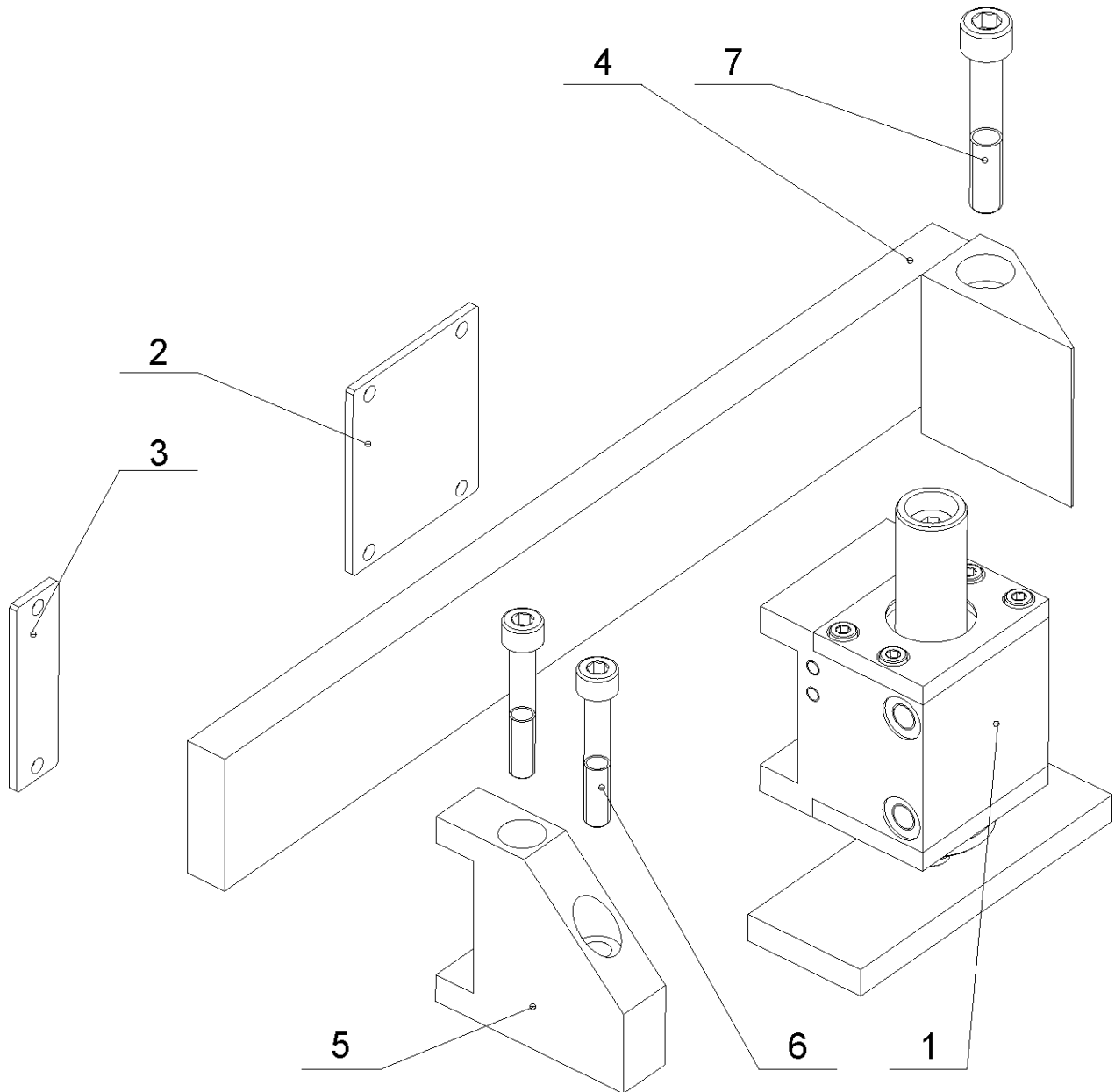
25.1. Hlavní svěrák / Hauptschraubstock / Main vice

Poz.	Objednací číslo	Název položky	ks
Pos.	Bestell - Nr.	Bezeichnung	Menge
Pos.	Reference No.	Item	Pcs.
1	30.0703-010.A	Tyč dorazu / Anschlagsstange / Length stop bar	1
2	30.0703-013	Těleso dorazu / Anschlagkörper / Length stop body	1
3	30.0703-016	Páka dorazu / Anschlaghebel / Length stop lever	1
4	30.2801-103	Čelist pohyblivá / Bewegliche Backe / Movable jaw	1
5	30.2803-018	Šroub trapéz / Schraube / Trapezial screw	1
6	30.2803-019	Skluz / Rutsch / Glide	1
7	30.2803-023	Tyč vodící / Führungsstange / Guiding bar	2
8	30.2803-022	Tyč odměřování / Abmessungsstange / Measuring bar	1
9	30.2803-101	Svěrák / Schraubstock / Vice	1
10	30.2803-102	Čelist pevná / Feste Backe / Fixed jaw	1
11	30.2803-104	Lišta / Leiste / Listel	1
12	30.2803-105	Lišta / Leiste / Listel	1
13	30.2803-106	Brzda / Bremse / Brake	1
14	30.2803-107	Deska / Platte / Plate	1
15	30.2803-108	Rošt / Gitter / Hake	1
16	30.2803-109	Čelist pomocná / Hilfsbacke / Auxiliary jaw	1
17	Viz výkres / Siehe Zeichnung / See drawing	Válec svěráku / Schraubstockzylinder / Vice cylinder	1
18	Viz výkres / Siehe Zeichnung / See drawing	Horní upínání - svěrák / Bündelspanneinrichtung des Hauptschraubstockes / Top clamping - vice	1
19	30.4114-102	Doraz / Anschlag / Length stop	1
20	90.001.25.017	Šroub / Schraube / Screw M6x16 DIN 912 8.8	2
21	90.001.25.033	Šroub / Schraube / Screw M8x25 DIN 912 8.8	2
22	90.001.25.034	Šroub / Schraube / Screw M8x30 DIN 912 8.8	2
23	90.001.25.035	Šroub / Schraube / Screw M8x35 DIN 912 8.8	11
24	90.001.25.047	Šroub / Schraube / Screw M10x25 DIN 912 8.8	4
25	90.001.25.058	Šroub / Schraube / Screw M12x30 DIN 912 8.8	3
26	90.001.25.059	Šroub / Schraube / Screw M12x35 DIN 912 8.8	3
27	90.001.25.104	Šroub / Schraube / Screw M8x22 DIN 912 8.8	1
28	90.002.2D.011	Šroub / Schraube / Screw M8x10 DIN 913 45H	1
29	90.005.55.014	Šroub / Schraube / Screw M8x16 DIN 933 8.8	1
30	90.005.55.028	Šroub / Schraube / Screw M10x50 DIN 933 8.8	1
31	90.011.27.005	Šroub / Schraube / Screw M6x12 DIN 7991 10.9	2
32	90.100.55.004	Matice / Mutter / Nut M6 DIN 934 8.8	2
33	90.100.55.007	Matice / Mutter / Nut M12 DIN 934 8.8	1
34	90.150.50.011	Podložka / Scheibe / Washer Ø21 DIN 125	1
35	90.151.50.002	Podložka / Scheibe / Washer Ø13x44x4 DIN 440	2
36	90.151.50.005	Podložka / Scheibe / Washer Ø9x28x3 DIN 440	1
37	90.301.OZ.XXX	Válcový kolík / Zylinderstift / Cylindrical pin Ø6x32 DIN 7	1
38	90.302.OZ.004	Kuželový kolík se závitem / Kegelbolzen+Gewinde / Taper pin+thread Ø8x50 DIN 7978	2
39	94.010.004	Ruční kolo / Handrad / Hand wheel	1
40	94.011.002	Ruční páka / Hebel / Hand lever M12x63	1
41	95.800.008	Pojistný kroužek / Sicherungsring / Retaining ring Ø18 DIN 471	1



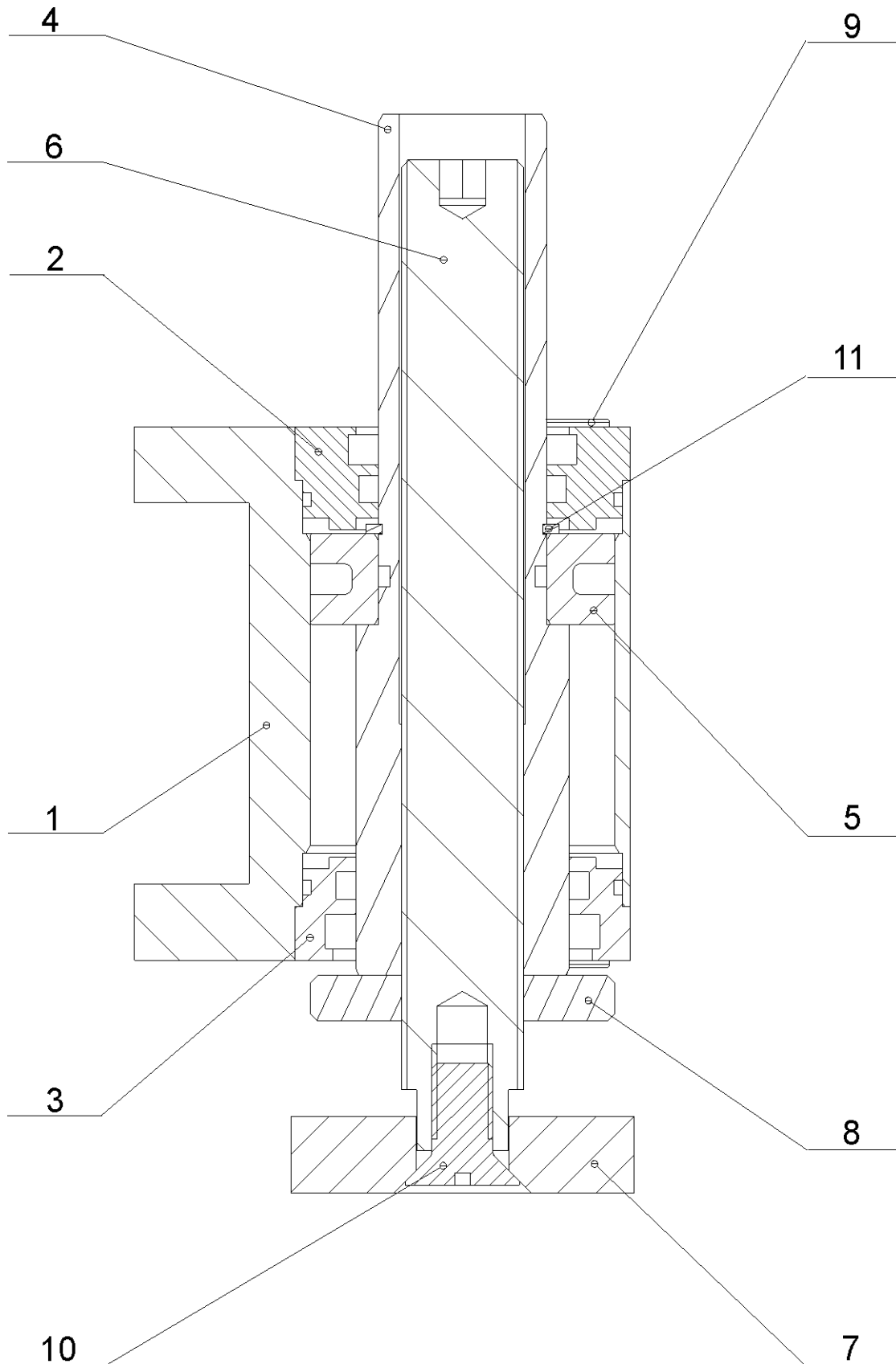
25.2. Upínací válec hlavního svěráku / Spannzyylinder des Hauptschraubstockes / Main vice clamping cylinder

Poz.	Objednací číslo	Název položky	ks
Pos.	Bestell - Nr.	Bezeichnung	Menge
Pos.	Reference No.	Item	Pcs.
1	30.2807-301	Píst / Kolben / Piston	1
2	30.2807-302	Pístnice / Kolbenstange / Piston rod	1
3	30.2807-303	Válec / Zylinder / Cylinder	1
4	30.2807-304	Víko / Deckel / Cover	1
5	30.3307-005	Víko / Deckel / Cover	1
6	90.001.25.067	Šroub / Schraube / Screw M8x80 DIN 912 8.8	4
7	96.001.007	O kroužek / O Ring / O Ring 25x2	1
8	96.001.013	O kroužek / O Ring / O Ring 45x2	1
9	96.001.014	O kroužek / O Ring / O Ring 55x2	1
10	96.002.012	O kroužek / O Ring / O Ring 24x3	1
11	96.002.014	O kroužek / O Ring / O Ring 28x3	1
12	96.060.003	Stírací kroužek / Abstreifring / Wiping ring 28x36	1
13	96.900.001	Těsnění / Dichtung / Sealing 50x39x4	1



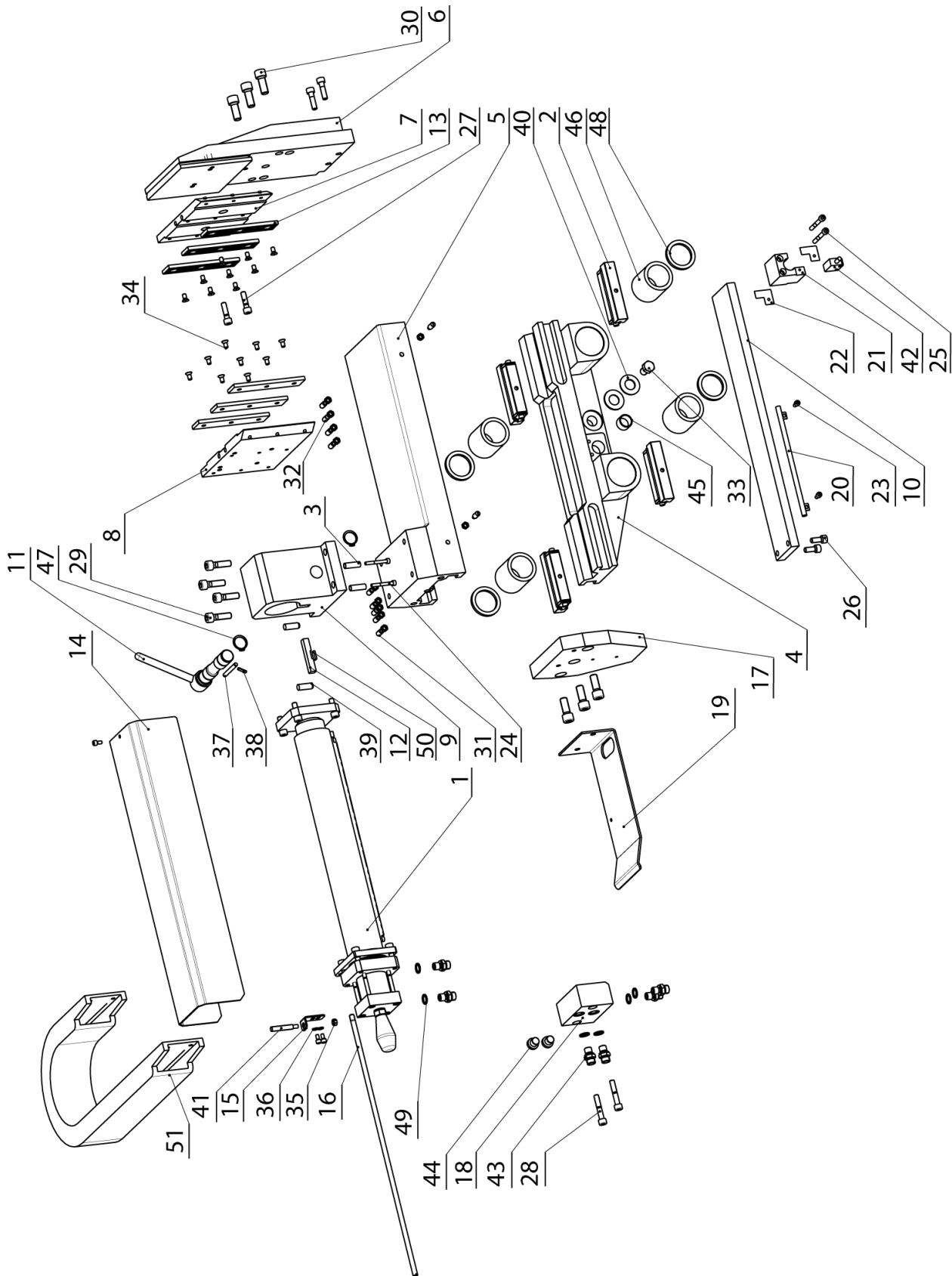
25.3. Horní upínání hlavního svěráku / Bündelspanneinrichtung des Hauptschraubstockes / Main vice top clamping

Poz.	Objednací číslo	Název položky	ks
Pos.	Bestell - Nr.	Bezeichnung	Menge
Pos.	Reference No.	Item	Pcs.
1	30.2807-500	Válec horního upínání / Bündelspannzylinder / Upper clamping cylinder	1
2	30.2812-002	Deska třecí / Bremsklotz / Frictional plate	1
3	30.2812-004	Příložka / Lasche / Splice plate	1
4	30.2812-101	Nosník / Träger / Support	1
5	30.2812-102	Vedení / Führung / Guide	1
6	90.001.25.038	Šroub / Schraube / Screw M8x50 DIN 912 8.8	2
7	90.001.25.054	Šroub / Schraube / Screw M10x60 DIN 912 8.8	1



25.4. Válec horního upínání / Bündelspannzylinder / Top clamping cylinder

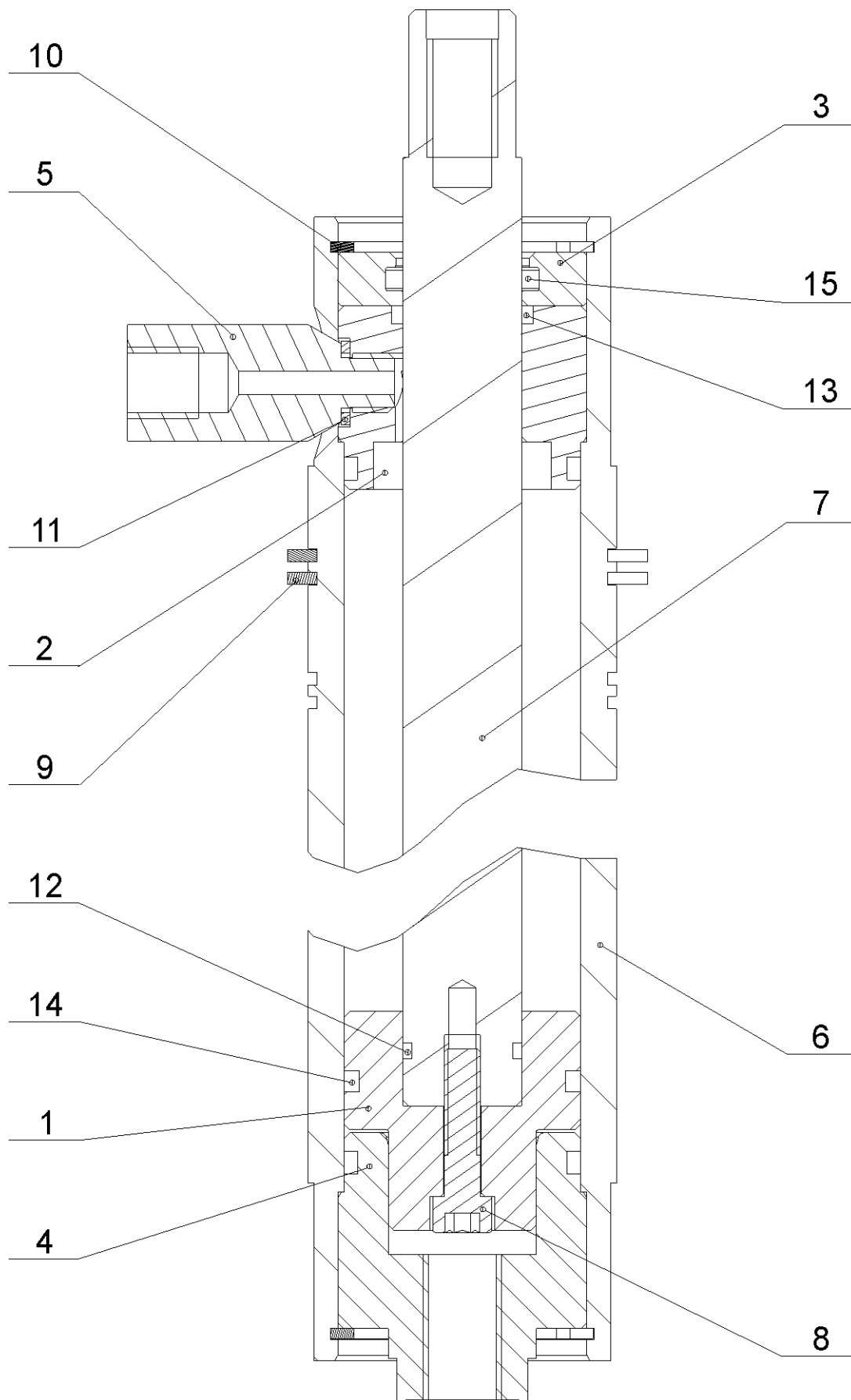
Poz.	Objednací číslo	Název položky	ks
Pos.	Bestell - Nr.	Bezeichnung	Menge
Pos.	Reference No.	Item	Pcs.
1	30.2807-501	Válec / Zylinder / Cylinder	1
2	30.2807-502	Víko / Deckel / Cover	1
3	30.2807-503	Víko / Deckel / Cover	1
4	30.2807-504	Pístnice / Kolbenstange / Piston rod	1
5	30.2807-505	Píst / Kolben / Piston	1
6	30.2807-506	Šroub / Schraube / Screw M16	1
7	30.2807-507	Vložka / Einlage / Inset 120x10	1
8	30.2807-508	Matice / Mutter / Nut M16	1
9	90.001.25.008	Šroub / Schraube / Screw M5x12 DIN 912	8
10	90.011.27.012	Šroub / Schraube / Screw M8x16 DIN 7991	1
11	95.800.010	Pojistný kroužek / Sicherungsring / Retaining ring Ø22 DIN 471	1



25.5. Podávací svěrák / Vorschubschraubstock / Feeding vice

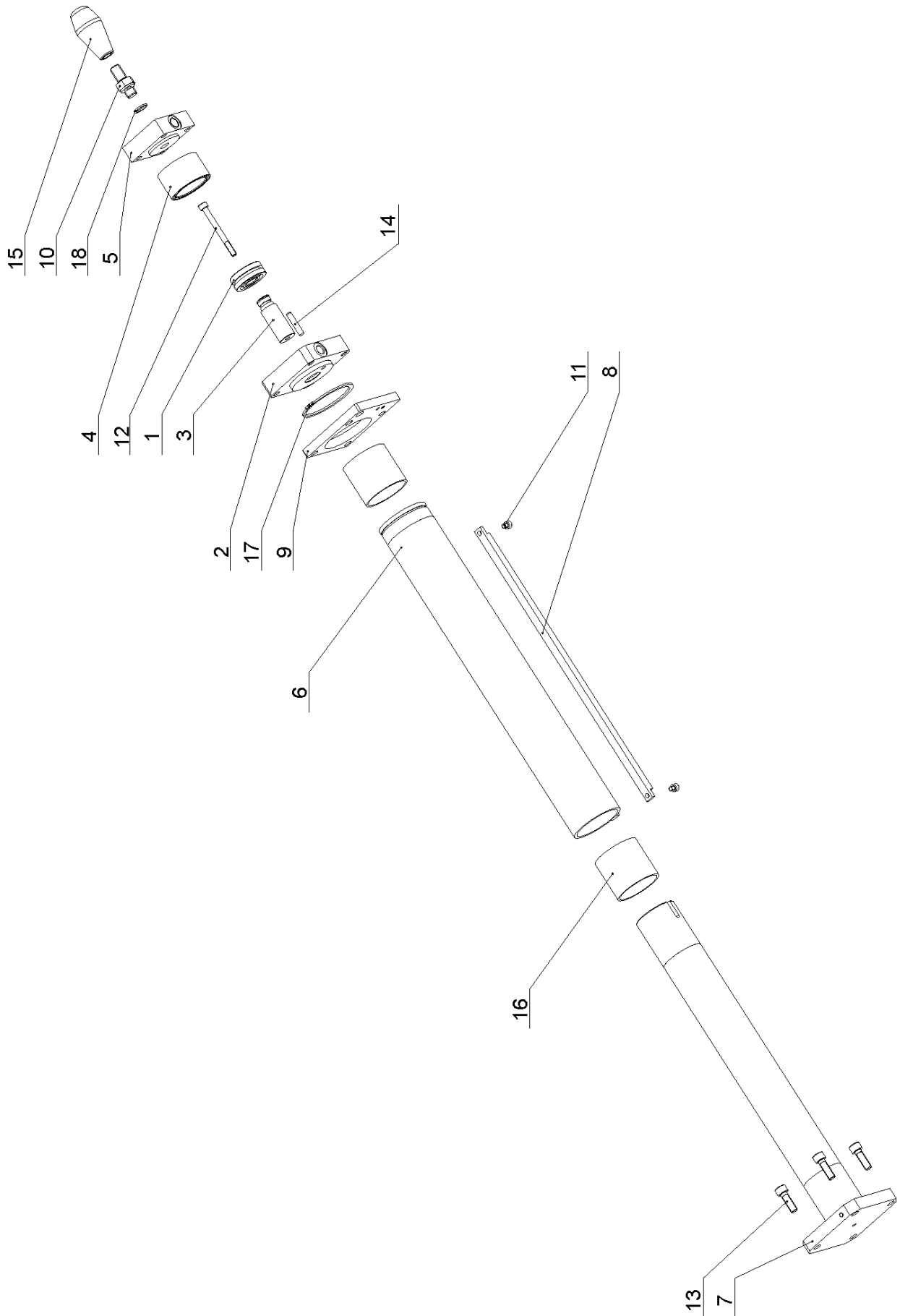
Pos.	Objednací č.	Název položky		ks
Poz.	Bestell - Nr.	Bezeichnung		Menge
Pos.	Ref. No.	Item		Pcs.
1	201.2807-100	Válec podávacího svěráku / Vorschubzylinder des Vorschubes / Feeder shifting cylinder		1
2	201.2911-200	Válcový element / Zylinderstift Element / Cylinder element		4
3	30.0907-106	Pružina / Feder / Spring		2
4	30.2811-001	Vozík / Wagen / Carriage		1
5	30.2811-002	Vozík / Wagen / Carriage		1
6	30.2811-003	Čelist / Backe / Jaw		1
7	30.2811-005	Čelist / Backe / Jaw		1
8	30.2811-006	Čelist / Backe / Jaw		1
9	30.2811-007	Kostka / Würfel / Cube		1
10	30.2811-008	Výztuha / Versteifung / Reinforcement		1
11	30.2811-009	Excentr / Exzenter / Excenter		1
12	30.2811-010	Tyč / Stange / Bar		1
13	30.2811-011	Lišta čelisti / Backenleiste / Jaw listel		6
14	30.2811-013	Kryt / Deckel / Cover		1
15	30.2811-014	Držák / Halter / Holder		1
16	30.2811-015	Tyč / Stange / Bar		1
17	30.2811-017	Výztuha / Versteifung / Reinforcement		1
18	30.2811-020	Kostka / Würfel / Cube		1
19	30.2811-021	Podpěra / Stütze / Support		1
20	30.2811-025	Vedení / Führung / Guide		1
21	30.2911-029	Držák snímače / Fühlerhalter / Sensor holder		1
22	30.2911-030	Stěrač / Abstreifer / Scraper		2
23	90.001.25.007	Šroub / Schraube / Screw	M5x10	5
24	90.001.25.014	Šroub / Schraube / Screw	M5x40	2
25	90.001.25.023	Šroub / Schraube / Screw	M6x50	2
26	90.001.25.032	Šroub / Schraube / Screw	M8x20	2
27	90.001.25.034	Šroub / Schraube / Screw	M8x30	4
28	90.001.25.037	Šroub / Schraube / Screw	M8x45	2
29	90.001.25.049	Šroub / Schraube / Screw	M10x35	4
30	90.001.25.058	Šroub / Schraube / Screw	M12x30	6
31	90.002.2D.012	Šroub stavěcí / Stellschraube / Setscrew	M8x16	8
32	90.004.2D.009	Šroub stavěcí / Stellschraube / Setscrew	M8x20	4
33	90.005.55.030	Šroub / Schraube / Screw	M12x20	1
34	90.011.27.005	Šroub zápusťný / Countersunk screw / Senkschraube	M6x12	18
35	90.101.55.001	Maticice / Mutter / Nut	M8	13
36	90.150.50.003	Podložka / Scheibe / Washer	d5,3 DIN 125	2
37	90.301.OZ.014	Válcový kolík / Zylinderstift / Cylindrical pin	6x55	1
38	90.303.OZ.003	Pružný kolík / Spannstift / Spring pin	4x16	1
39	90.305.OZ.001	Válcový kolík / Zylinderstift / Cylindrical pin	10x28 DIN 7979 D	2
40	90.350.OZ.002	Talířová pružina / Tellerfeder / Belleville spring	35, 5x18, 3x2, 0x2, 8	2

41	91.172.001	Induktivní spínač / Induktiver Sensor / Inductive switch		1
42	91.270.006	Magnetický sensor / Magnet. Meßgeber / Magnetic sensor SIKO		1
43	92.002.001	Šroubení / Schraubung / Screwing	G 1/4"	6
44	92.019.001	Zátka / Stopfen / Stopper	VS-R1/4-WD	2
45	95.700.003	Kuličkové pouzdro / Kugelbuchse / Bush ball	20x15	1
46	95.710.001	Kuličkové pouzdro / Kugelbuchse / Bush ball	40x60	4
47	95.800.010	Kroužek pojistný / Sicherungsring / Retaining ring	d 22	2
48	96.040.003	Stírací manžeta / Abstreifmanschette / Scraper cup	42x52x5	4
49	96.082.002	Těsnící kroužek / Dichtungsring / Sealing ring Cu	13/17	6
50	99.040.006	Tvrdokov / HM-Segment / Hardmetal	7x3	1
51	99.170.008	Řetěz energií / Kabelschlepper / Cable tug	EFK0455.030. 058.09	1



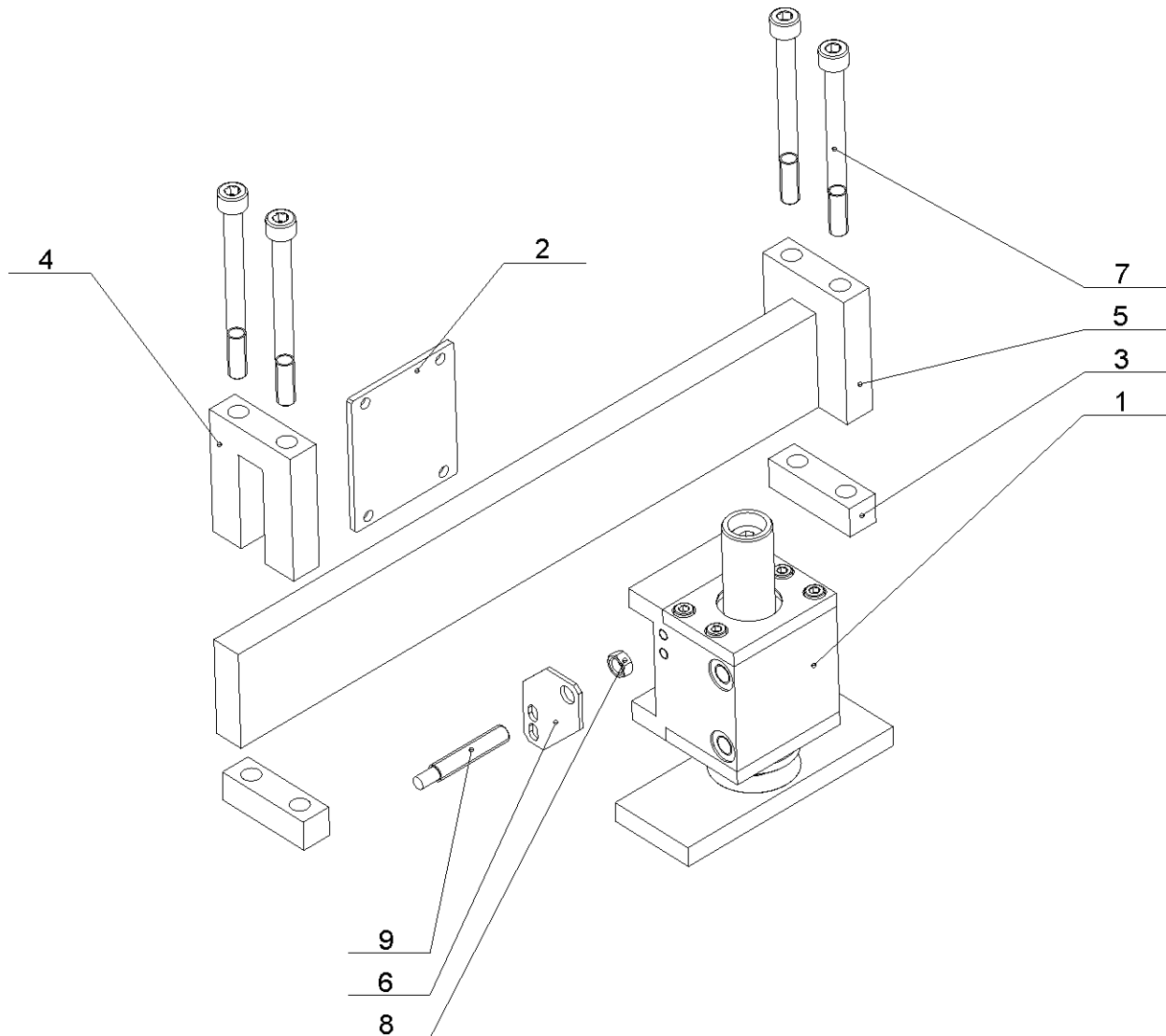
25.6. Posouvací válec podavače / Vorschubzylinder des Vorschubes / Shifting cylinder of the feeder

Poz.	Objednáací číslo	Název položky	ks
Pos.	Bestell - Nr.	Bezeichnung	Menge
Pos.	Reference No.	Item	Pcs.
1	30.2107-001	Píst / Kolben / Piston	1
2	30.2107-002	Přívod přední / Vordere Zuleitung / Front inflow	1
3	30.2107-003	Víko / Deckel / Cover	1
4	30.2107-004	Víko zadní / Hinterer Deckel / Cover	1
5	30.2111-011	Redukce / Reduktion / Reduction	1
6	30.2807-201	Válec / Zylinder / Cylinder	1
7	30.2807-202	Pístnice / Kolbenstange / Piston rod	1
8	90.001.25.019	Šroub / Schraube / Screw M6x25 DIN 912 8.8	1
9	95.800.019	Pojistný kroužek / Sicherungsring / Retaining ring Ø52 DIN 471	2
10	95.801.006	Pojistný kroužek / Sicherungsring / Retaining ring Ø42 DIN 472	2
11	96.082.001	Těsnící kroužek / Dichtungsring / Sealing ring Cu 10/14	1
12	96.002.007	O-kroužek / O Ring / O Ring 16x2	1
13	96.002.010	O-kroužek / O Ring / O Ring 20x3	1
14	96.002.017	O-kroužek / O Ring / O Ring 34x3	3
15	96.060.002	Kroužek stírací / Abstreifring / Wiping ring 20x28	1



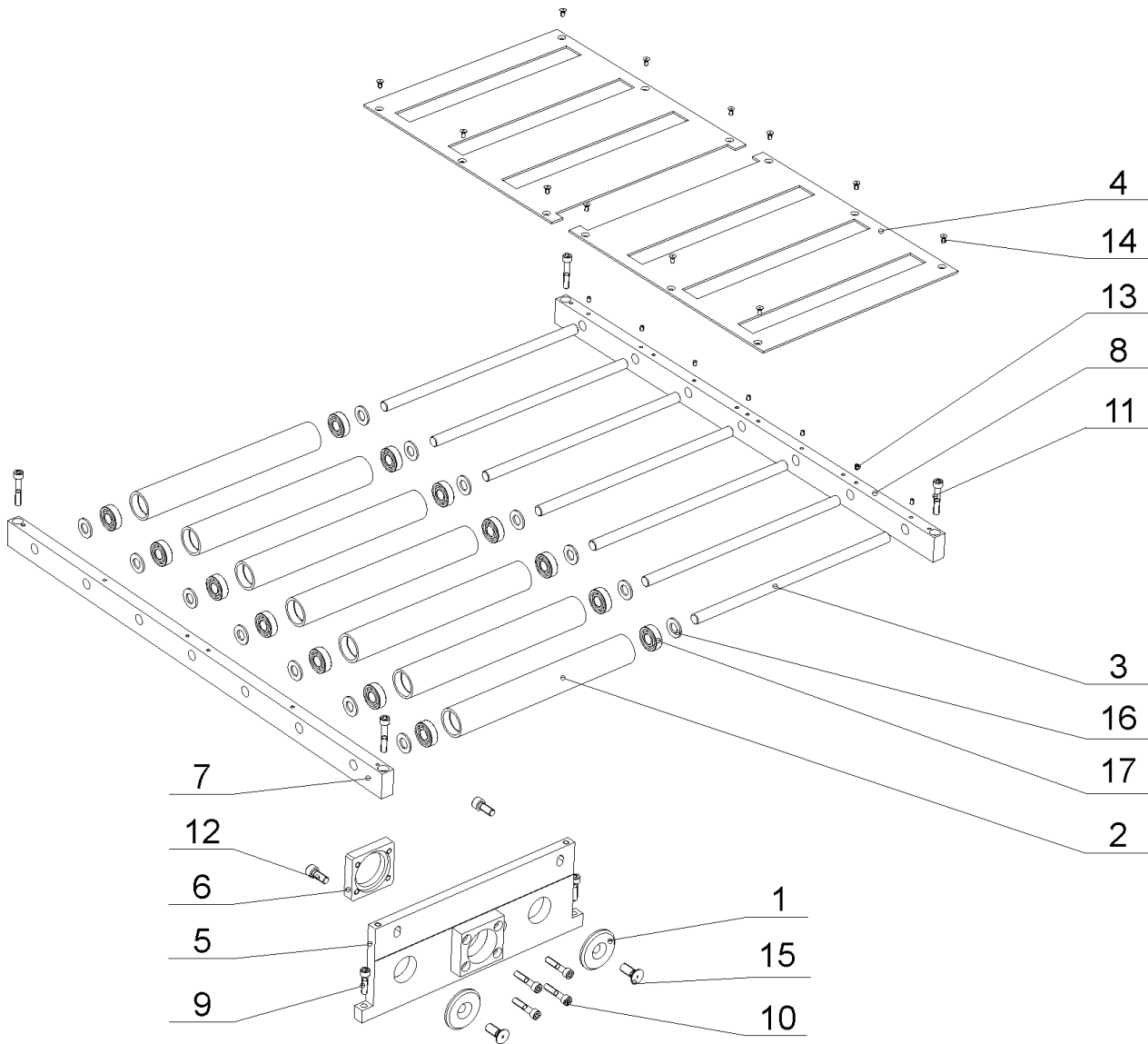
25.7. Upínací válec podavače / Spannzyylinder des Vorschubes / Clamping cylinder of the feeder

Poz.	Objednací číslo	Název položky	ks
Pos.	Bestell - Nr.	Bezeichnung	Menge
Pos.	Reference No.	Item	Pcs.
1	30.0305-202	Píst / Kolben / Piston	1
2	30.2807-101	Víko / Deckel / Cover	1
3	30.2807-102	Pístnice / Kolbenstange / Piston rod	1
4	30.2807-103	Válec / Zylinder / Cylinder	1
5	30.2807-104	Víko / Deckel / Cover	1
6	30.2807-105	Trubka / Rohr / Tube	1
7	30.2807-106	Víko / Deckel / Cover	1
8	30.2807-107	Ozubená tyč / Zahnstange / Toothed bar	1
9	30.2807-108	Příložka / Lasche / Splice plate	1
10	30.2811-018	Zátka / Stopfen / Stopper	1
11	90.001.25.006	Šroub / Schraube / Screw M5x6 DIN 912	2
12	90.001.25.026	Šroub / Schraube / Screw M6x65 DIN 912	1
13	90.001.25.033	Šroub / Schraube / Screw M8x25 DIN 912	4
14	90.301.OZ.013	Válcový kolík / Zylinderstift / Cylindrical pin Ø6x30 DIN 7	1
15	94.005.002	Rukojeť kuželová / Griffschalter / Conical handle M8	1
16	95.700.008	Pouzdro / Buchse / Bush KU 50x50	2
17	95.800.021	Pojistný kroužek / Sicherungsring / Retaining ring Ø62 DIN 471	1
18	96.082.002	Kroužek těsnící / Dichtungsring / Sealing ring Cu 13/17	1



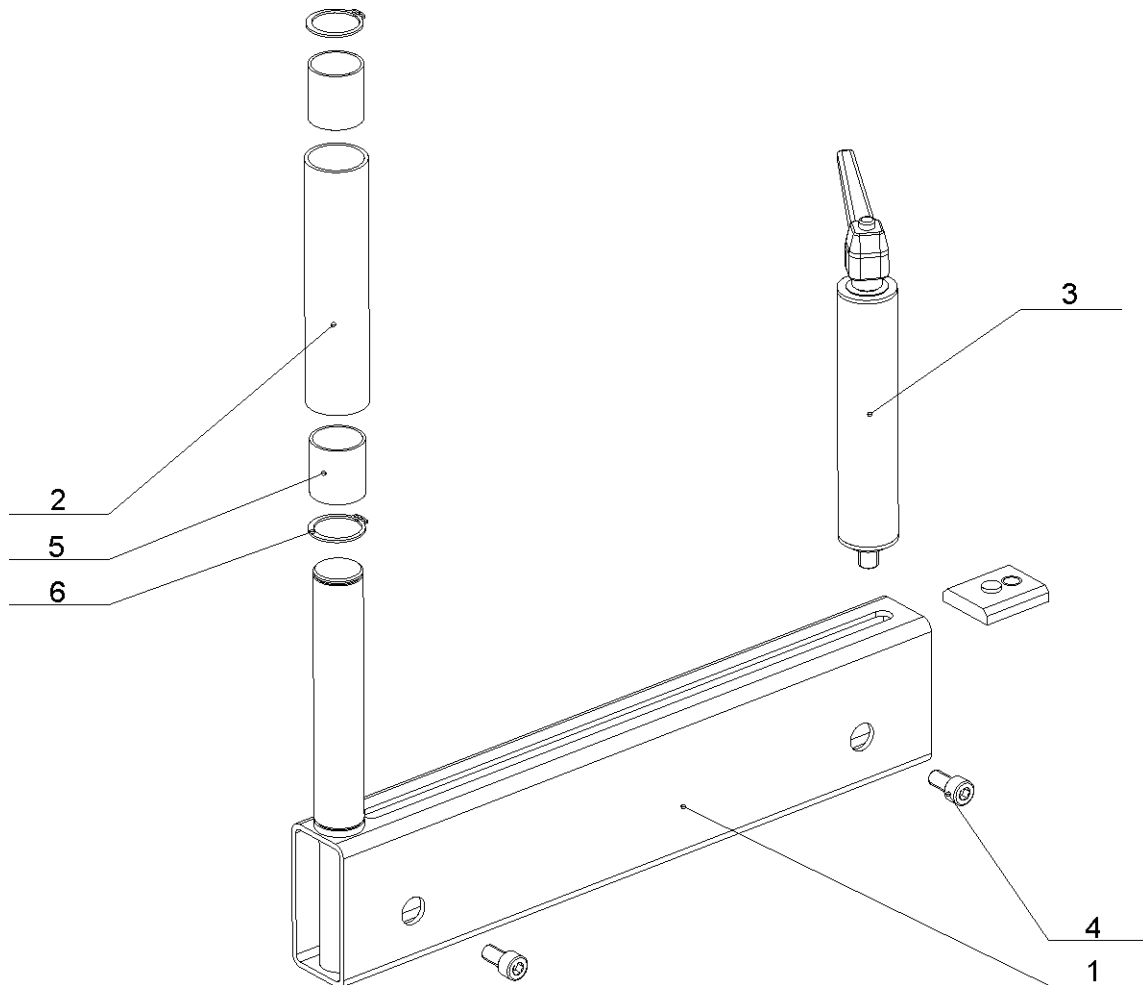
25.8. Horní upínání podavače / Bündelspanneinrichtung des Vorschubschraubstockes / Feeder top clamping

Poz.	Objednací číslo	Název položky	ks
Pos.	Bestell - Nr.	Bezeichnung	Menge
Pos.	Reference No.	Item	Pcs.
1	30.2807-500	Válec horního upínání / Bündelspannzylinder / Upper clamping cylinder	1
2	30.2812-002	Třecí deska / Bremsplatte / Frictional plate	1
3	30.2812-201	Kostka / Würfel / Cube	2
4	30.2812-202	Vodítko / Führung / Guide	1
5	30.2812-203	Nosník / Träger / Support	1
6	30.2812-204	Držák / Halter / Holder	1
7	90.001.25.078	Šroub / Schraube / Screw M8x90 DIN 912	4
8	90.101.55.001	Matice / Mutter / Nut M8 DIN 439	1
9	91.172.001	Induktivní spínač / Induktiver Sensor / Inductive switch	1



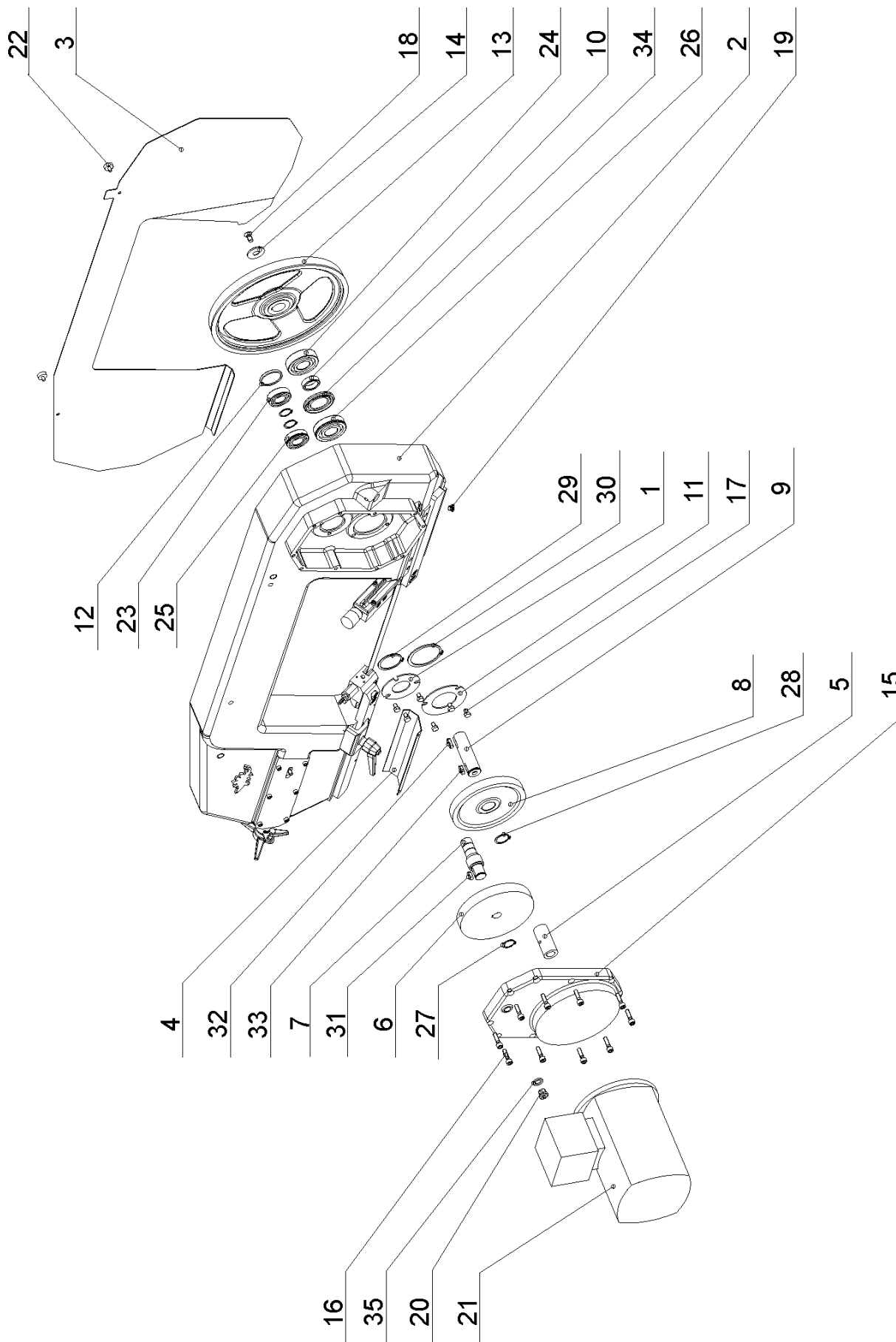
25.9. Válečková trať / Rollenbahn / Roller conveyor

Poz.	Objednací číslo	Název položky	ks
Pos.	Bestell - Nr.	Bezeichnung	Menge
Pos.	Reference No.	Item	Pcs.
1	30.0804-009	Zajištění kola / Scheibe / Wheel retaining	2
2	30.2811-203	Váleček / Rolle / Roller	7
3	30.2811-204	Tyč / Stange / Rod	7
4	30.2811-205	Kryt / Deckel / Cover	2
5	30.2811-208	Čelo zadní / Hinterseite / Forehead	1
6	30.2811-209	Příložka / Lasche / Splice plate	1
7	30.2811-301	Lišta / Leiste / Listel	1
8	30.2811-302	Lišta / Leiste / Listel	1
9	90.001.25.034	Šroub / Schraube / Screw M8x30 DIN 912 8.8	2
10	90.001.25.036	Šroub / Schraube / Screw M8x40 DIN 912 8.8	4
11	90.001.25.037	Šroub / Schraube / Screw M8x45 DIN 912 8.8	4
12	90.001.25.047	Šroub / Schraube / Screw M10x25 DIN 912 8.8	2
13	90.002.2D.004	Šroub / Schraube / Screw M5x8 DIN 913 45H	7
14	90.011.27.003	Šroub / Schraube / Screw M5x10 DIN 7991 10.9	12
15	90.011.27.014	Šroub / Schraube / Screw M12x30 DIN 7991 10.9	2
16	90.150.50.008	Podložka / Scheibe / Washer Ø15 DIN 125	14
17	95.001.015	Ložisko / Lager / Bearing 6202 2RS	14



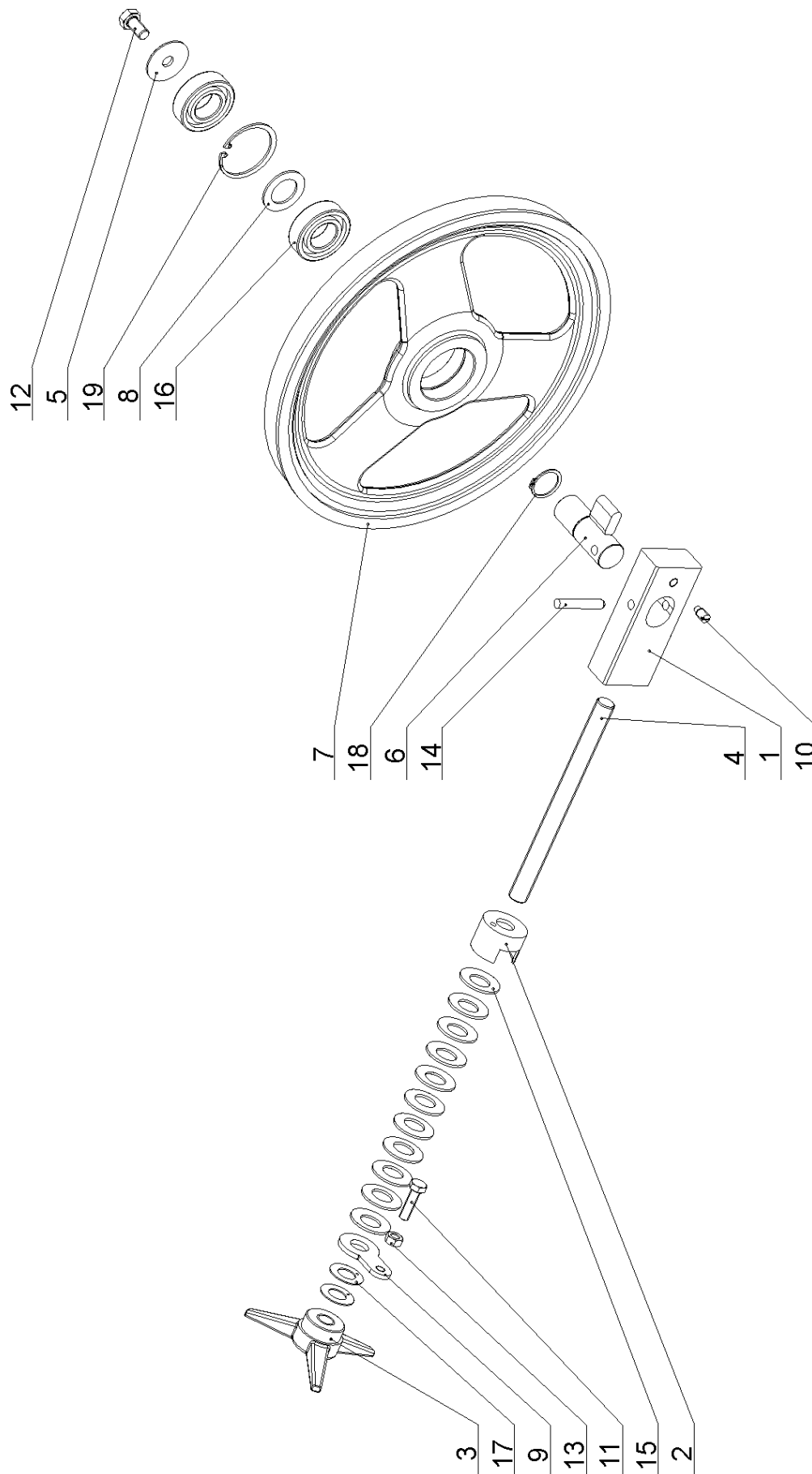
25.10. Vertikální válečky / Vertikalrollen / Vertical rollers

Poz.	Objednací číslo	Název položky	ks
Pos.	Bestell - Nr.	Bezeichnung	Menge
Pos.	Reference No.	Item	Pcs.
1	30.2814-001	Nosník / Träger / Support	1
2	30.2814-002	Trubka / Rohr / Tube	1
3	30.2814-010	Vertikální váleček posuvný / Stellbare Vertikalrolle / Movable vertical roller	1
4	90.001.25.031	Šroub / Schraube / Screw M8x16 DIN 912	2
5	95.700.010	Pouzdro / Buchse / Bush KU 25x30	2
6	95.800.012	Pojistný kroužek / Sicherungsring / Retaining ring Ø25 DIN 471	2



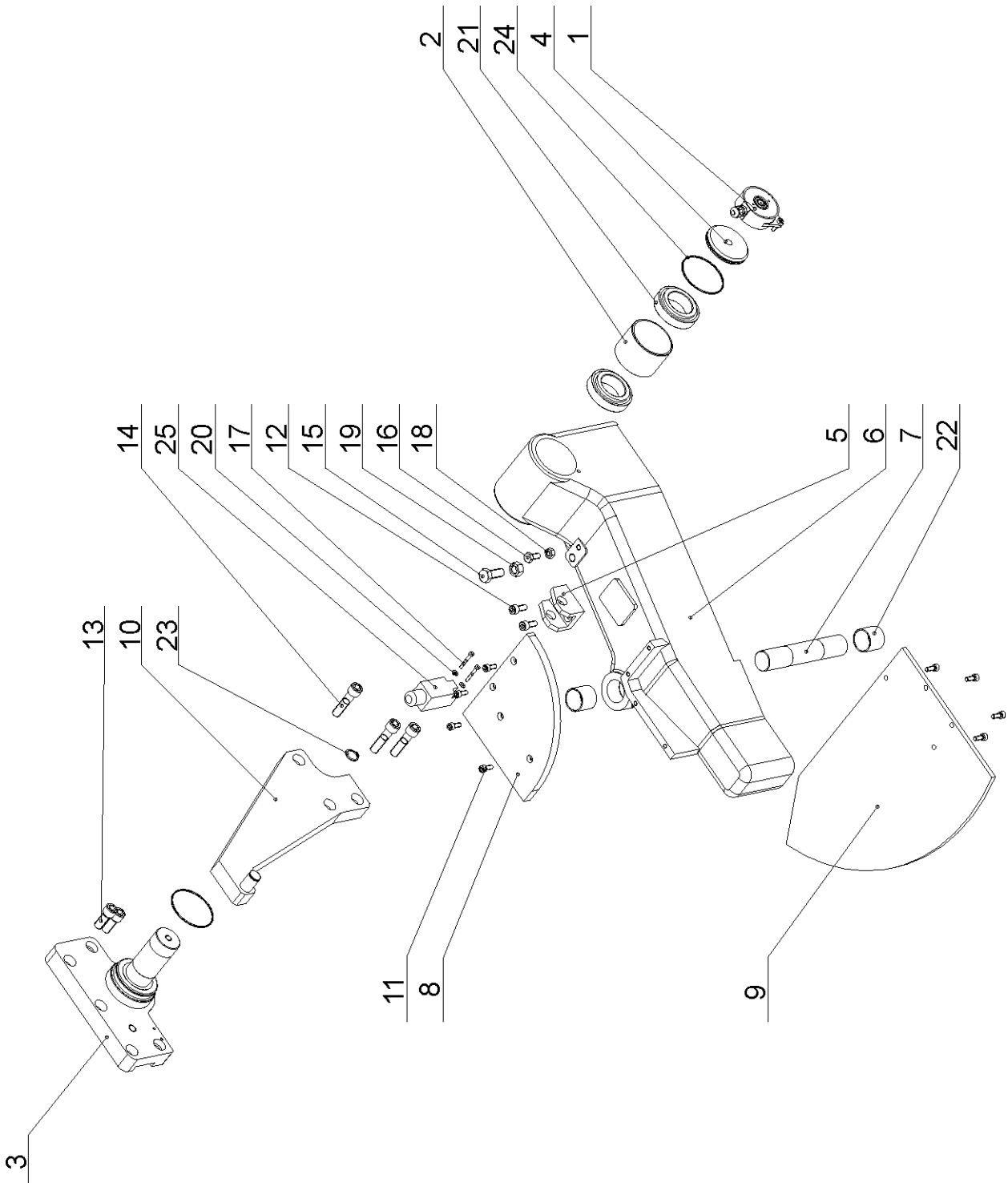
25.11. Pohon a kryty pilového pásu / Antrieb und Abdeckungen des Sägebandes / Drive and saw band covers

Poz.	Objednací číslo	Název položky	ks
Pos.	Bestell - Nr.	Bezeichnung	Menge
Pos.	Reference No.	Item	Pcs.
1	30.0105-007	Upínací kroužek / Spannring / Clamping ring	1
2	30.0504-701	Rameno / Sägerahmen / Arm	1
3	30.0504-702	Kryt ramene / Deckel / Arm cover	1
4	30.0504-704	Kryt / Deckel / Cover	1
5	30.0505-002	Pastorek / Ritzel / Pinion	1
6	30.0505-003	Ozubené kolo / Zahnrad / Gear wheel	1
7	30.0505-004	Předloha / Vorgelege / Countershaft	1
8	30.0505-005	Ozubené kolo / Zahnrad / Gear wheel	1
9	30.0505-007	Hřídel / Welle / Shaft	1
10	30.0505-009	Kroužek / Ring / Ring	1
11	30.0505-010	Příložka / Lasche / Splice plate	1
12	30.0505-013	Zátka převodovky / Getriebestopfen / Gearbox plug	1
13	30.0505-701	Kolo hnací / Antriebsrad / Driving wheel	1
14	30.0508-002	Podložka / Scheibe / Washer	1
15	30.0705-001	Víko převodovky / Deckel / Gearbox cover	1
16	90.001.25.034	Šroub / Schraube / Screw M8x30 DIN 912	10
17	90.005.55.013	Šroub / Schraube / Screw M8x12 DIN 933	6
18	90.011.27.008	Šroub / Schraube / Screw M10x20 DIN 7991	1
19	90.400.5Z.001	Napouštěcí zátka / Verschlußschraube / Fill stopper 10x1 DIN 908	1
20	90.400.5Z.002	Napouštěcí zátka / Verschlußschraube / Fill stopper 16x1,5 DIN 908	1
21	91.001.007	Elektromotor / Elektromotor / Electromotor (TM) 90 2/4 B5	1
22	94.007.002	Šroub / Schraube / Screw M6x10	2
23	95.001.018	Ložisko / Lager / Bearing 2RS 6205	1
24	95.001.025	Ložisko / Lager / Bearing 2RS 6306	1
25	95.003.001	Ložisko / Lager / Bearing 2ZNR 6204	1
26	95.003.003	Ložisko / Lager / Bearing 2ZNR 6306	1
27	95.800.012	Pojistný kroužek / Sicherungsring / Retaining ring Ø25 DIN 471	3
28	95.800.013	Pojistný kroužek / Sicherungsring / Retaining ring Ø30 DIN 471	1
29	95.800.019	Pojistný kroužek / Sicherungsring / Retaining ring Ø52 DIN 471	1
30	95.800.XXX	Pojistný kroužek / Sicherungsring / Retaining ring Ø72 DIN 471	1
31	95.810.006	Pero těsné / Feder / False key 8x7x20	1
32	95.810.007	Pero těsné / Feder / False key 8x7x25	1
33	95.810.023	Pero těsné / Feder / False key 8x7x22 RZ	1
34	95.830.005	Hřídelové těsnění / Wellendichtung / Shaft seal 40x72x7	1
35	96.081.001	Těsnící kroužek / Dichtungsring / Sealing ring 23x15x3	1



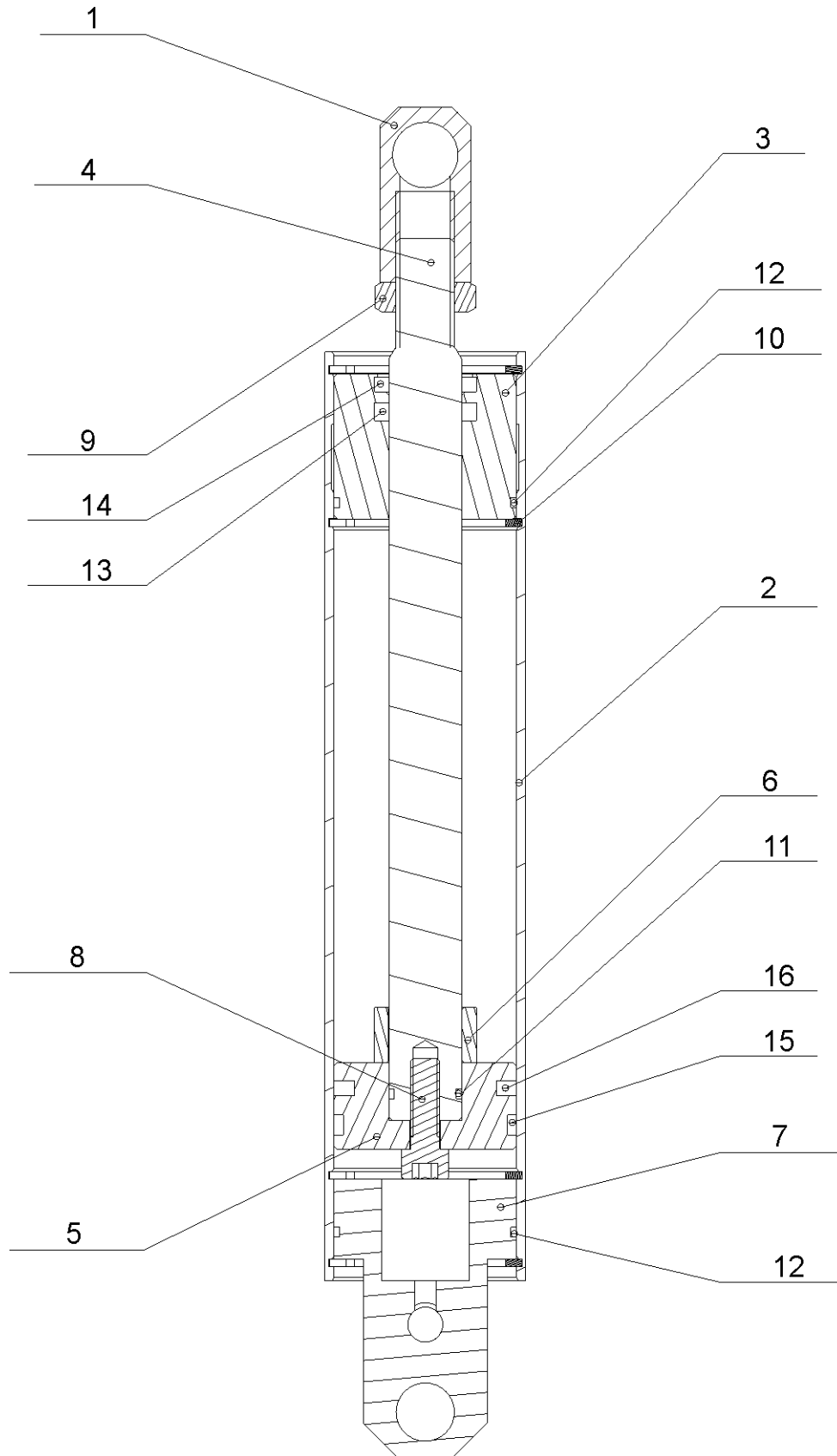
25.12. Napínání pásu / Sägebandspannung / Saw band stretching

Poz.	Objednací číslo	Název položky	ks
Pos.	Bestell - Nr.	Bezeichnung	Menge
Pos.	Reference No.	Item	Pcs.
1	30.0104-002	Hranol / Prisma / Prism	1
2	30.0104-004	Držák pružiny / Federhalter / Spring holder	1
3	30.0104-006	Hvězdice / Stern / Star	1
4	30.0303-005	Šroub / Schraube / Screw M16	1
5	30.0505-011	Podložka / Scheibe / Washer	1
6	30.0508-004	Čep napínání / Spannungsbolzen / Stretching pivot	1
7	30.0508-701	Kolo napínací / Umlenkrad / Stretching wheel	1
8	30.0702-023	Kroužek distanční / Distanzring / Distance ring	1
9	30.0704-025	Příložka / Lasche / Splice plate	1
10	90.004.2D.008	Šroub / Schraube / Screw M8x16 DIN 915	1
11	90.005.55.017	Šroub / Schraube / Screw M8x30 DIN 933	1
12	90.005.55.023	Šroub / Schraube / Screw M10x20 DIN 933	1
13	90.100.55.005	Matice / Mutter / Nut M8 DIN 934	1
14	90.300.0Z.012	Válcový kolík / Zylinderstift / Cylindrical pin 8x50 DIN 6325	1
15	90.350.0Z.002	Talířová pružina / Tellerfeder / Belleville spring 35.5x18.3x2.0x2.8	11
16	95.001.018	Ložisko / Lager / Bearing 2RS 6205	2
17	95.750.001	Kroužek / Ring / Ring KU 16x1	2
18	95.800.012	Pojistný kroužek / Sicherungsring / Retaining ring Ø25 DIN 471	1
19	95.801.009	Pojistný kroužek / Sicherungsring / Retaining ring Ø52 DIN 472	1



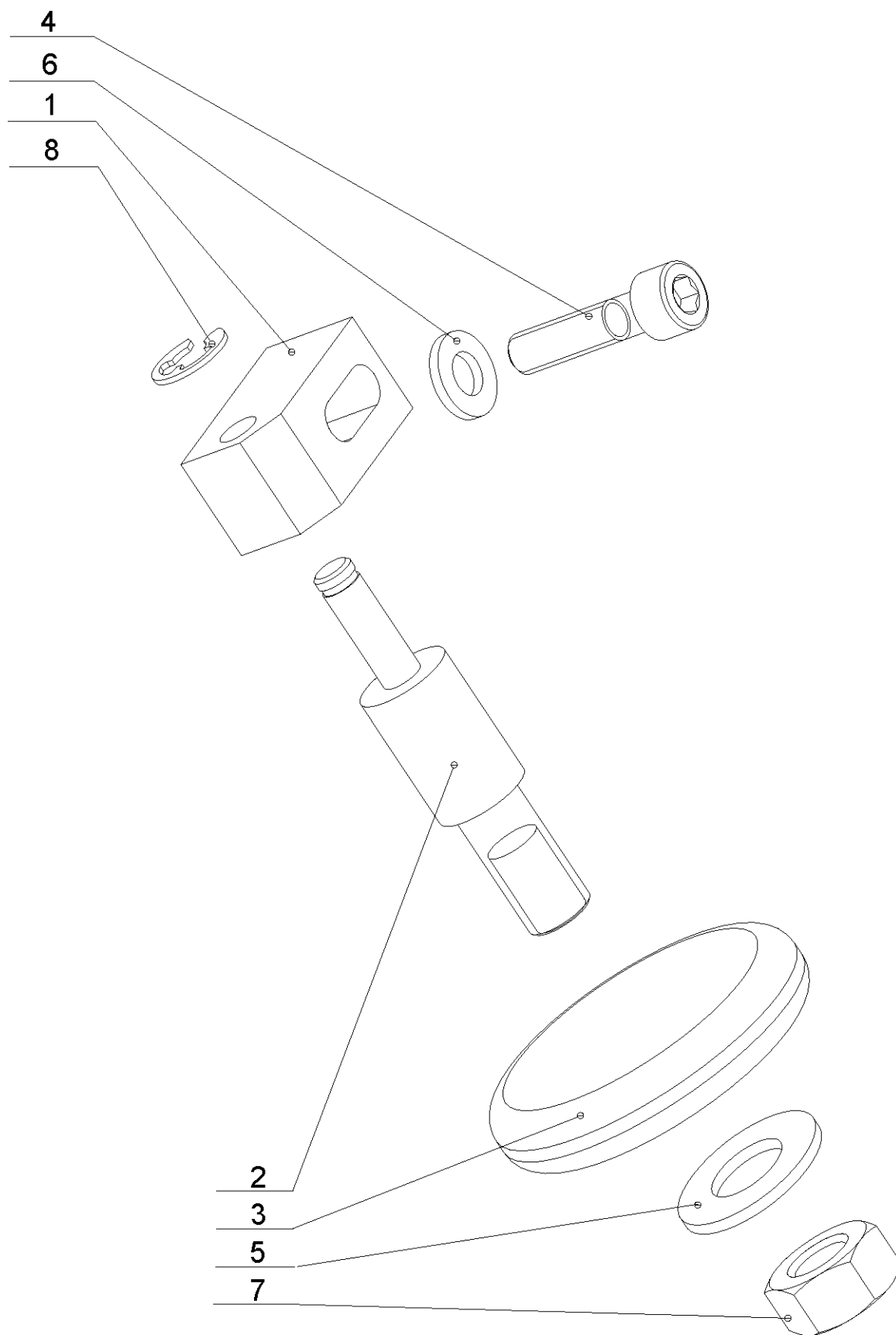
25.13. Otočná konzola / Gehrungskonsole / Turning console

Poz.	Objednací číslo	Název položky	ks
Pos.	Bestell - Nr.	Bezeichnung	Menge
Pos.	Reference No.	Item	Pcs.
1	30.0614-200	Odměrování úhlu / Winkelmessung / Admeasurement of angle	1
2	30.0702-008	Pouzdro ložiska / Lagerbuchse / Bearing bush	1
3	30.0702-010	Držák ramene / Armhalter / Arm holder	1
4	30.0702-012	Víko kloubu / Gelenkdeckel / Joint cover	1
5	30.0807-008	Držák spodní / Halter / Holder	1
6	30.2802-101	Konzola / Konsole / Console	1
7	30.2802-102	Čep / Bolzen / Pivot	1
8	30.2802-103	Deska / Platte / Plate	1
9	30.2802-104	Kotouč / Scheibe / Disk	1
10	30.2802-105	Držák válce / Zylinderhalter / Cylinder holder	1
11	90.001.25.017	Šroub / Schraube / Screw M6x16 DIN 912	8
12	90.001.25.032	Šroub / Schraube / Screw M8x20 DIN 912	2
13	90.001.25.058	Šroub / Schraube / Screw M12x30 DIN 912	2
14	90.001.25.062	Šroub / Schraube / Screw M12x50 DIN 912	3
15	90.005.55.032	Šroub / Schraube / Screw M12x30 DIN 933	1
16	90.005.55.XXX	Šroub / Schraube / Screw M8x18 DIN 933	1
17	90.012.50.007	Šroub / Schraube / Screw M4x30 DIN 84	2
18	90.100.55.005	Matice / Mutter / Nut M8 DIN 934	1
19	90.100.55.007	Matice / Mutter / Nut M12 DIN 934	1
20	90.150.50.002	Podložka / Scheibe / Washer Ø4,3 DIN 125	2
21	95.300.002	Ložisko / Lager / Bearing AX 32008	2
22	95.700.012	Pouzdro / Buchse / Bush KU 30x30	2
23	95.800.008	Pojistný kroužek / Sicherungsring / Retaining ring Ø18 DIN 471	1
24	96.001.018	O kroužek / O Ring / O Ring 63x2	2
25	91.173.007	Koncový spínač / Endschalter / Limit switch	1

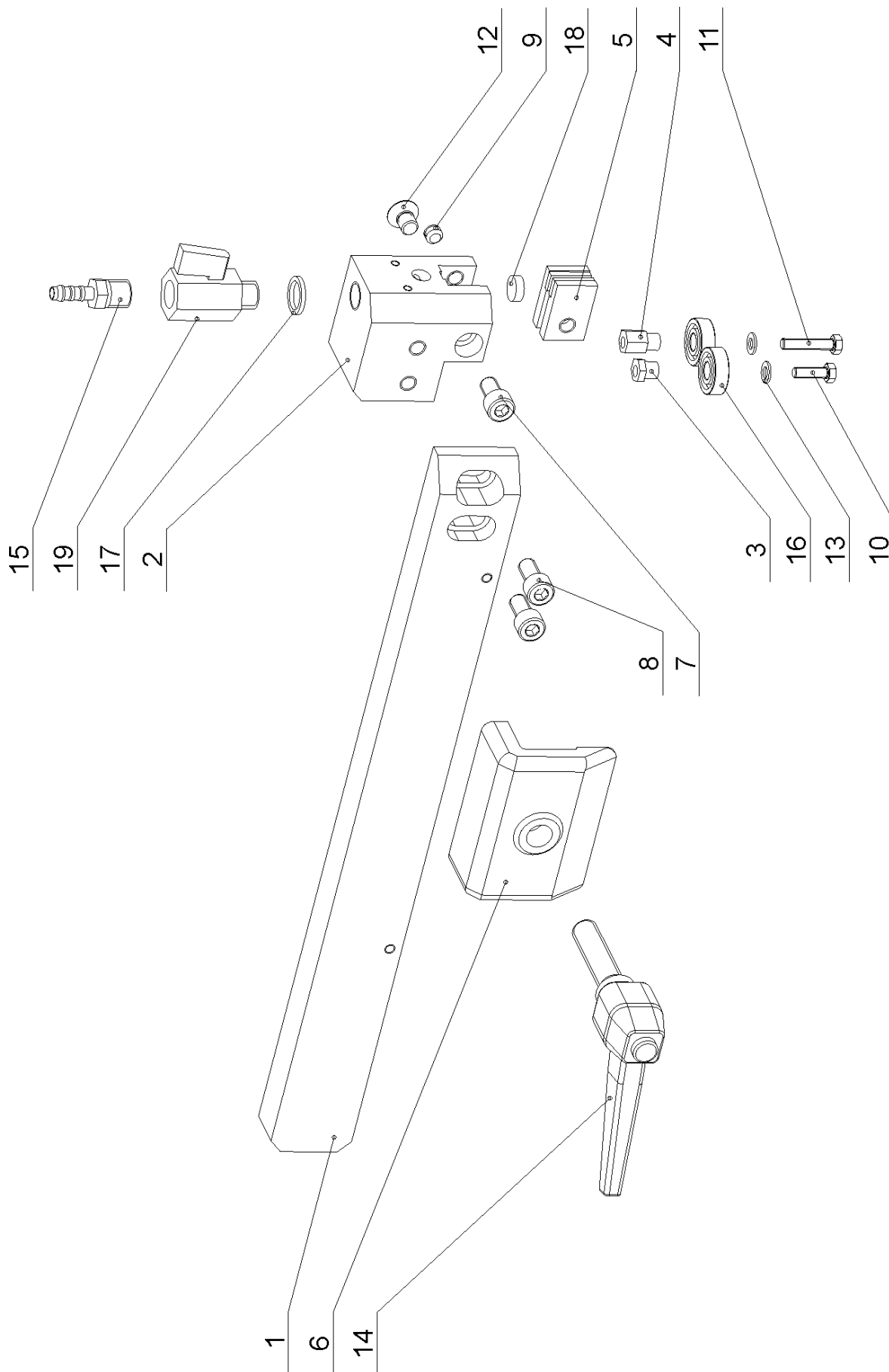


25.14. Zvedací válec / Hebezyylinder / Lifting cylinder - 251.034

Poz.	Objednací číslo	Název položky	ks
Pos.	Bestell - Nr.	Bezeichnung	Menge
Pos.	Reference No.	Item	Pcs.
1	30.0807-006	Držák pístnice / Halter Kolbenstange / Piston rod holder	1
2	30.2807-001	Válec / Zylinder / Cylinder	1
3	30.2807-002	Víko horní / Oberer Deckel / Upper cover	1
4	30.2807-003	Pístnice / Kolbenstange / Piston rod	1
5	30.2807-004	Píst / Kolben / Piston	1
6	30.2807-005	Distanc / Distanz / Distance	1
7	30.4107-003	Víko / Deckel / Cover	1
8	90.001.25.033	Šroub / Schraube / Screw M8x25 DIN 912	1
9	90.101.55.003	Matice / Mutter / Nut M16 DIN 439	1
10	95.801.018	Pojistný kroužek / Sicherungsring / Retaining ring Ø50 DIN 472	4
11	96.002.007	O-kroužek / O Ring / O Ring 16x2	1
12	96.002.019	O-kroužek / O Ring / O Ring 46x2	2
13	96.041.002	Manžeta těsnící / Dichtungsmanschette / Gasket 20x28	1
14	96.060.002	Kroužek stírací / Abstreifring / Wiping ring 20x28	1
15	96.084.001	Kroužek vodící / Führungsring / Guiding ring 50x5.5x2.5x146.9	1
16	96.900.001	Těsnění / Dichtung / Sealing 50x39x4	1

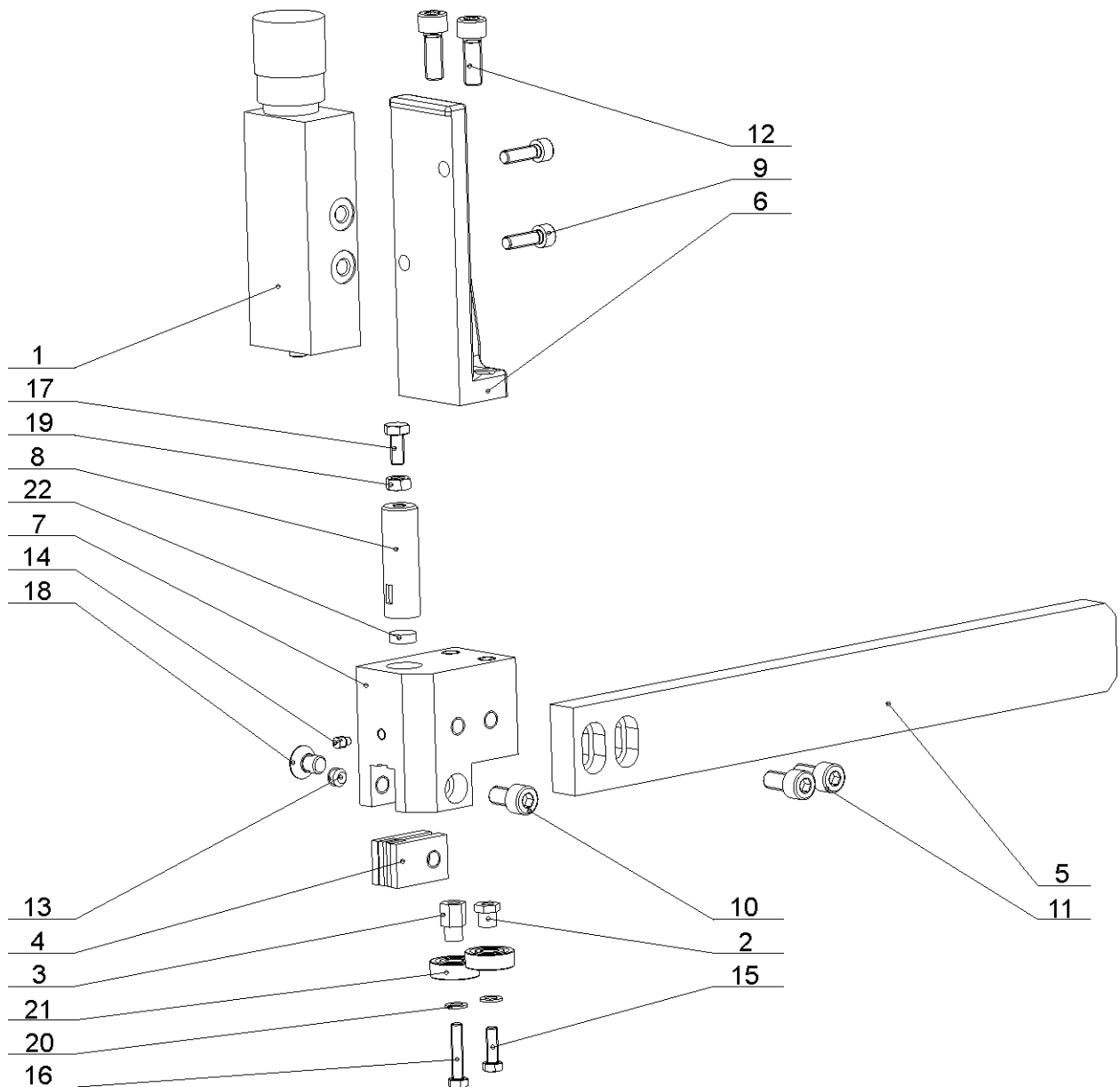
**25.15. Kartáček / Spänebürste / Brush**

Poz.	Objednací číslo	Název položky	ks
Pos.	Bestell - Nr.	Bezeichnung	Menge
Pos.	Reference No.	Item	Pcs.
1	30.0104-022	Držák kartáčku / Bürstenhalter / Brush holder	1
2	30.0704-029	Hřídel kartáčku / Bürstenwelle / Brush shaft	1
3	31.0704-031	Kartáček / Spänebürste / Brush	1
4	90.001.25.019	Šroub / Schraube / Screw M6x25 DIN 912	1
5	90.100.55.006	Maticе / Mutter / Nut M10 DIN 934	1
6	90.150.50.004	Podložka / Scheibe / Washer Ø6,4 DIN 125	1
7	90.150.50.006	Podložka / Scheibe / Washer Ø10,5 DIN 125	1
8	95.800.001	Pojistný kroužek / Sicherungsring / Retaining ring Ø6 DIN 471	1



25.16. Levá vodící kostka / Linker Führungsklotz / Left guiding cube

Poz.	Objednací číslo	Název položky	ks
Pos.	Bestell - Nr.	Bezeichnung	Menge
Pos.	Reference No.	Item	Pcs.
1	30.0104-015	Levá lišta / Linke Leiste / Left listel	1
2	30.0104-017	Levá vodící kostka / Linker Führungsklotz / Left guiding cube	1
3	30.0104-018	Excentr malý / Kleiner Exzenter / Small excenter	1
4	30.0104-019	Excentr velký / Großer Exzenter / Large excenter	1
5	30.0104-020	Držák tvrdokovu / HM-Halterung / HM holder	2
6	30.0704-010	Upínka / Spanneisen / Clamp	1
7	90.001.25.030	Šroub / Schraube / Screw M8x14 DIN 912	1
8	90.001.25.031	Šroub / Schraube / Screw M8x16 DIN 912	2
9	90.002.2D.009	Šroub / Schraube / Screw M8x6 DIN 913	1
10	90.005.55.003	Šroub / Schraube / Screw M5x16 DIN 933	1
11	90.005.55.005	Šroub / Schraube / Screw M5x25 DIN 933	1
12	90.011.27.007	Šroub / Schraube / Screw M8x12 DIN 7991	1
13	90.150.50.003	Podložka / Scheibe / Washer Ø5,3 DIN 125	2
14	94.008.009	Páka / Hebel / Lever M12x50	1
15	94.202.002	Redukce / Reduktion / Reduction 1/4"-6	1
16	95.001.001	Ložisko / Lager / Bearing 2RS 608	2
17	96.080.001	Těsnící kroužek / Dichtungsring / Sealing ring 17.8x13.5x2	1
18	99.040.002	Tvrdokov / HM-Segment / Hardmetal 12x4	1
19	99.260.001	Kulový ventil / Kugelventil / Spherical valve 1/4"	1



25.17. Pravá vodící kostka / Rechter Führungsklotz / Right guiding cube

Poz.	Objednací číslo	Název položky	ks
Pos.	Bestell - Nr.	Bezeichnung	Menge
Pos.	Reference No.	Item	Pcs.
1	251.218	Regulace přítlaku / Schnittdruckregulierung / Cutting pressure regulation	1
2	30.0104-018	Excentr malý / Kleiner Exzenter / Small excenter	2
3	30.0104-019	Excentr velký / Großer Exzenter / Large excenter	2
4	30.0104-020	Tvrdokov / HM-Segment / Hardmetal	4
5	30.0704-014	Lišta pravá / Rechte Leiste / Right listel	1
6	30.2804-001	Držák / Halter / Holder	1
7	30.2804-002	Pravá vodící kostka / Rechter Führungsklotz / Right guiding cube	1
8	30.3510-002	Držák tvrdokovu / HM-Halter / HM holder	1
9	90.001.25.018	Šroub / Schraube / Screw M6x20 DIN 912	2
10	90.001.25.030	Šroub / Schraube / Screw M8x14 DIN 912	1
11	90.001.25.031	Šroub / Schraube / Screw M8x16 DIN 912	2
12	90.001.25.104	Šroub / Schraube / Screw M8x22 DIN 912	2
13	90.002.2D.009	Šroub / Schraube / Screw M8x6 DIN 913	1
14	90.004.2D.0XX	Šroub / Schraube / Screw M? DIN 915	1
15	90.005.55.003	Šroub / Schraube / Screw M5x16 DIN 933	1
16	90.005.55.005	Šroub / Schraube / Screw M5x25 DIN 933	1
17	90.005.55.XXX	Šroub / Schraube / Screw M6x14 DIN 933	1
18	90.011.27.007	Šroub / Schraube / Screw M8x12 DIN 7991	1
19	90.100.55.004	Matice / Mutter / Nut M6 DIN 934	1
20	90.150.50.003	Podložka / Scheibe / Washer Ø5,3 DIN 125	2
21	95.001.001	Ložisko / Lager / Bearing 2RS 608	4
22	99.040.002	Tvrdokov / HM-Segment / Hardmetal	1

