

BOMAR[®]

Operating Instructions for Band Saw

ergonomic 290.250 GAC



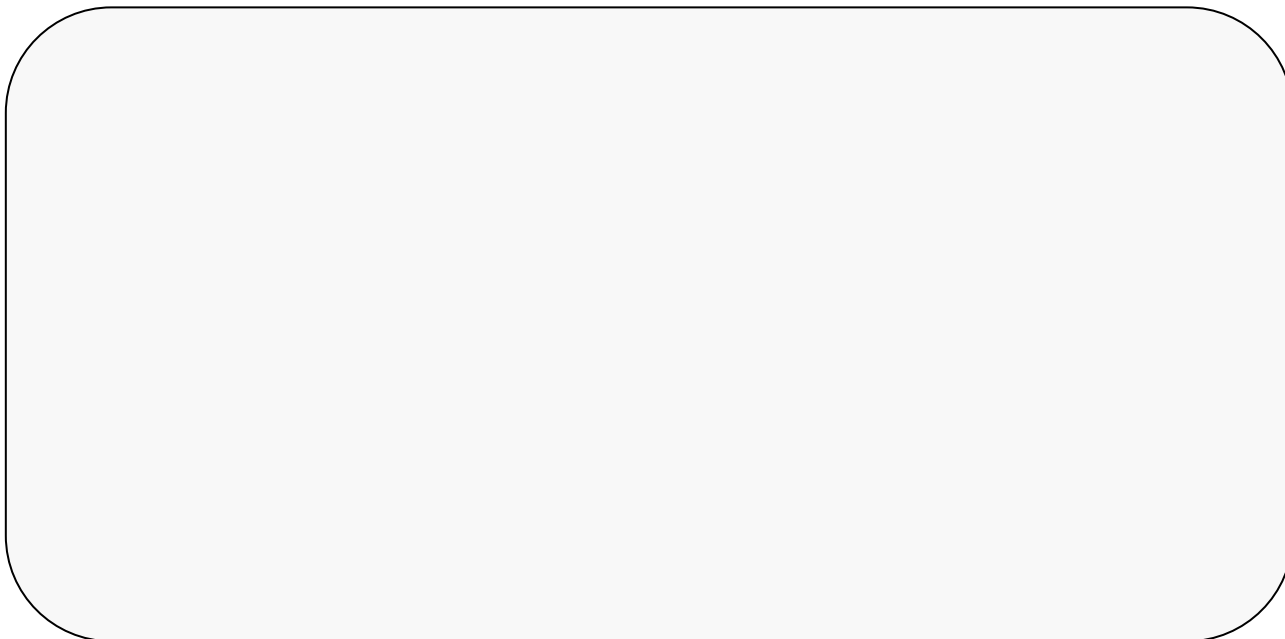
**Before transporting and using the machine, please read
the instructions thoroughly!**

Serial number:



Service and Information

In case of technical difficulties or spare parts order, please contact your dealer:



Or contact Bomar, spol. s r.o. directly:

BOMAR, spol. s r.o.

Těžební 1236/1

62700 Brno

CZECH REPUBLIC

Telephone: +420 – 533 426 100

Fax: +420 – 533 426 109

e-mail: info@bomar.cz

WWW: <http://www.bomar.cz>

We are available Mondays to Fridays from 7⁰⁰ to 16⁰⁰.

Version 1.01 / November 2006

BOMAR, spol. s r.o. © - Subject to modifications and amendments.

Content

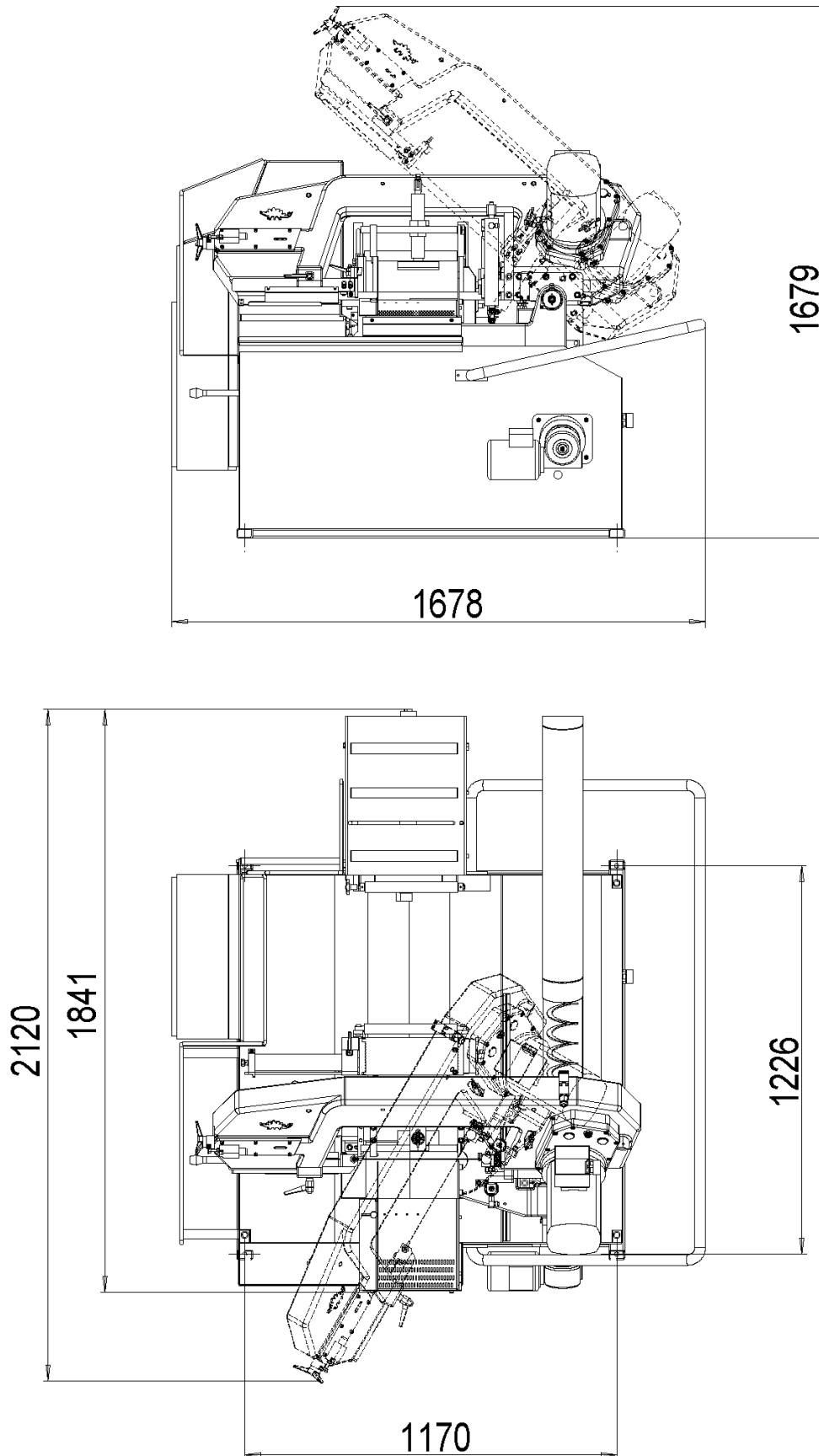
1. INTRODUCTION	7
2. BAND SAW USING	7
3. TECHNICAL DATA.....	8
4. SAFETY NOTES	9
4.1. GENERAL	9
4.2. PROTECTIVE SUIT AND PERSONAL SAFETY.....	9
4.3. SAFETY NOTES FOR MACHINE OPERATOR	10
4.4. SAFETY NOTES FOR THE SERVICING AND REPAIRS	11
4.5. SAFETY MACHINE ACCESSORIES.....	11
5. TRANSPORTATION AND STOCKING	13
5.1. CONDITIONS FOR TRANSPORTATION AND STOCKING	13
5.2. SAFETY NOTES	13
5.3. TRANSPORT AND STOCKING PREPARATIONS	14
5.4. TRANSPORT AND STOCKING.....	14
6. ACTIVATION	15
6.1. MACHINE WORKING CONDITIONS.....	15
6.2. BAND SAW UNPACKING AND ASSEMBLING	15
6.3. MACHINE INSTALLING AND LEVELLING	16
6.4. ELECTRICAL CONNECTION	17
6.5. FILLING OF THE COOLING SYSTEM.....	18
6.6. CHECK MACHINE FUNCTIONS	19
7. CONTROL PANEL – DESCRIPTION.....	20
8. STARTING THE BAND SAW.....	23
8.1. SWITCH ON THE BAND SAW	23
8.2. FEEDER REFERENCE POSITION.....	23
9. MATERIAL INSERTION.....	24
9.1. SAFETY NOTES	24
9.2. HANDLING AGENT SELECTION	24
9.3. MATERIAL INSERTION	24
9.4. BUNDLE MATERIAL CUTTING	25
10. BAND SAW ADJUSTING.....	26
10.1. SAFETY NOTES	26
10.2. ANGULAR CUT SETTING	26
10.3. CUTTING SPEED ADJUSTMENT	26
10.4. OPTIMAL ADJUSTING OF THE GUIDE CUBES SPAN	27
10.5. AUXILIARY ROLLER	27
10.6. SWARF CONVEYOR OPERATION	27
10.7. VICES SETTING	28
10.8. UPPER PRESSURE	28
10.9. ARM HEIGHT SETTING.....	29

10.10.	SPEED ADJUSTING OF THE ARM LOWERING	29
11.	SEMI-AUTOMATIC CYCLE.....	30
11.1.	SAFETY NOTES	30
11.2.	SEMI-AUTOMATIC MODE	30
11.3.	CYCLE BREAKING	31
12.	AUTOMATIC MODE	32
12.1.	SAFETY NOTES	32
12.2.	CYCLE PRESET	32
12.3.	PROGRAM STORING	33
12.4.	PROGRAM SELECTION	34
12.5.	PROGRAM EDITING.....	35
12.5.1.	<i>Adjusted pre-selection editing.....</i>	<i>35</i>
12.5.2.	<i>New pre-selection inserting.....</i>	<i>36</i>
12.5.3.	<i>Clearing.....</i>	<i>37</i>
12.6.	AUTOMATIC CYCLE WITH MATERIAL CUTTING.....	38
12.7.	AUTOMATIC CYCLE WITHOUT MATERIAL CUTTING	39
12.8.	CYCLE BREAKING	39
13.	BLANKS REMOVING FROM THE BAND SAW.....	40
13.1.	SAFETY NOTES	40
13.2.	HANDLING AGENT SELECTION	40
13.3.	BLANKS REMOVING	40
14.	SERVICE MENU	41
14.1.	ENTRANCE TO SERVICE MENU	41
14.2.	VICE PARAMETERS.....	41
14.3.	COOLING PARAMETERS.....	42
14.4.	CUTTING PARAMETERS	42
14.5.	LENGTH UNITS SELECTION.....	43
14.6.	SERVICE MENU CLOSING	43
15.	SELECTION AND REPLACEMENT OF THE SAW BAND	44
15.1.	SAFETY NOTES	44
15.2.	SAW BAND SIZES	44
15.3.	SELECTION OF THE SAW BAND TOOTH SYSTEM:	44
15.4.	SAW BAND RUNNING – IN	46
15.5.	SAW BAND DISMANTLING	47
15.6.	SAW BAND INSTALLATION	48
15.7.	SAW BAND STRETCHING AND INSPECTION.....	49
15.7.1.	<i>Saw band stretching.....</i>	<i>49</i>
15.7.2.	<i>Saw band inspection.....</i>	<i>49</i>
16.	COOLING AGENTS AND CHIPS DISPOSAL.....	50
16.1.	SAFETY NOTES	50
16.2.	COOLING LIQUID PREPARATION	50
16.3.	COOLANT DEVICE INSPECTION	52
16.4.	CHIPS DISPOSAL	52
17.	GREASES AND OILS.....	53
17.1.	GEARBOX OILS.....	53
17.2.	HYDRAULIC OILS	54
17.3.	LUBRICANT GREASES	54

18. SERVICE.....	55
18.1. MACHINE CLEANING	55
18.2. LUBRICATION.....	55
18.3. COOLING LIQUID INSPECTION.....	55
18.4. HYDRAULIC OIL LEVEL CHECK	56
19. ADJUSTMENT	57
19.1. HARD METAL GUIDES ADJUSTMENT	57
19.2. GUIDE CUBES ADJUSTMENT	57
19.3. SAW BAND RUN ADJUSTMENT ON STRETCHING WHEEL	58
19.4. BRUSH ADJUSTMENT	59
19.5. LIMIT SWITCH SETTING OF THE SAW BAND STRETCHING	59
19.6. SAW FRAME LOWER POSITION STOP ADJUSTMENT.....	60
19.7. LIMIT SWITCH OF THE SAW FRAME LOWER POSITION ADJUSTMENT.....	60
19.8. ADJUSTMENT OF THE INDUCTIVE SWITCH OF THE FEED REAR POSITION.....	60
19.9. ADJUSTMENT OF THE INDUCTIVE SWITCH OF THE FEED FRONT POSITION	61
19.10. ADJUSTMENT OF THE INDUCTIVE SWITCH OF THE SAW ARM LIFT-STOP	61
19.11. ADJUSTMENT OF THE SECURING CUBE OF THE TURNING LEVER	62
19.12. PRESSURE SWITCHES ADJUSTMENT	63
19.13. PRESSURE ADJUSTMENT IN HYDRAULIC SYSTEM.....	64
19.14. ADJUSTMENT OF A THROTTLE VALVE	65
20. WORN PIECES REPLACEMENT.....	66
20.1. HARD METAL GUIDES REPLACEMENT	66
20.2. BRUSH REPLACEMENT	66
20.3. SAW BAND GUIDING PULLEYS REPLACEMENT.....	67
20.4. STRETCHING WHEEL REPLACEMENT	68
20.5. DRIVING WHEEL REPLACEMENT	70
20.6. COOLING PUMP REPLACEMENT.....	71
21. ROZMĚROVÉ SCHÉMA / AUFSTELLZEICHNUNG / INSTALLATION DIAGRAM	72
22. ELEKTRICKÁ SCHÉMATA / ELEKTROSCHEMAS / WIRING DIAGRAMS.....	73
22.1. ELEKTRICKÉ SCHÉMA / ELEKTROSCHEMA / WIRING DIAGRAM	73
22.2. ELEKTRICKÉ SCHÉMA / ELEKTROSCHEMA / WIRING DIAGRAM	74
22.3. ELEKTRICKÉ SCHÉMA / ELEKTROSCHEMA / WIRING DIAGRAM	75
22.4. ELEKTRICKÉ SCHÉMA / ELEKTROSCHEMA / WIRING DIAGRAM	76
22.5. ELEKTRICKÉ SCHÉMA / ELEKTROSCHEMA / WIRING DIAGRAM	77
22.6. ELEKTRICKÉ SCHÉMA / ELEKTROSCHEMA / WIRING DIAGRAM	78
22.7. ELEKTRICKÉ SCHÉMA / ELEKTROSCHEMA / WIRING DIAGRAM	79
22.8. ELEKTRICKÉ SCHÉMA / ELEKTROSCHEMA / WIRING DIAGRAM	80
22.9. ELEKTRICKÉ SCHÉMA / ELEKTROSCHEMA / WIRING DIAGRAM	81
22.10. ELEKTRICKÉ SCHÉMA / ELEKTROSCHEMA / WIRING DIAGRAM	82
22.11. ELEKTRICKÉ SCHÉMA / ELEKTROSCHEMA / WIRING DIAGRAM	83
22.12. ELEKTRICKÉ SCHÉMA / ELEKTROSCHEMA / WIRING DIAGRAM	84
22.13. ELEKTRICKÉ SCHÉMA / ELEKTROSCHEMA / WIRING DIAGRAM	85
23. KUSOVNÍK ELEKTROSOUČÁSTÍ / STÜCKLISTE DER ELEKTROTEILEN / PIECE LIST OF ELEKTRONPARTS.....	86
24. HYDRAULICKÉ SCHÉMA / HYDRAULIKSCHEMA / HYDRAULIC DIAGRAM	87

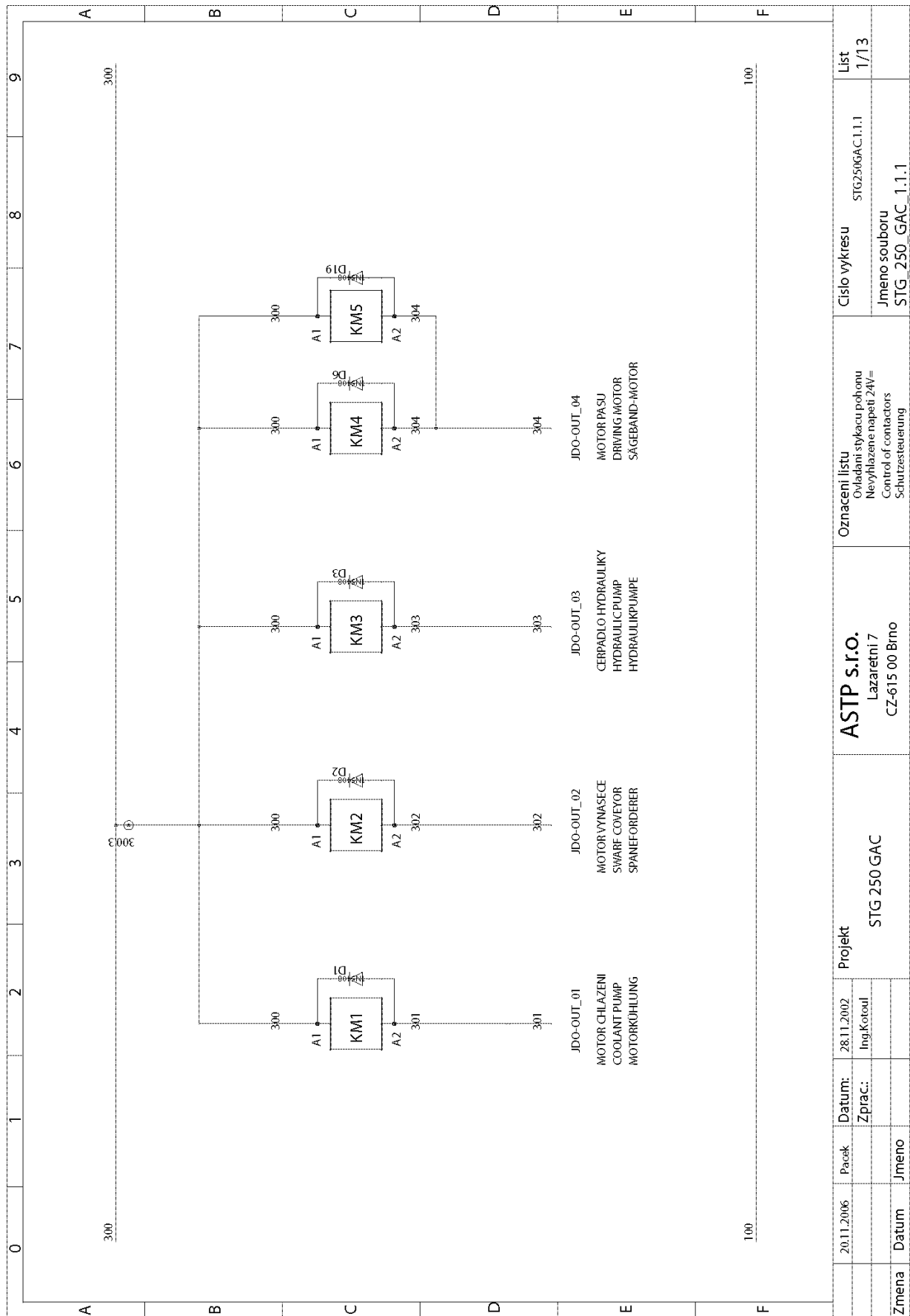
25. VÝKRESY SESTAV PRO OBJEDNÁNÍ NÁHRADNÍCH DÍLŮ / ZEICHNUNGEN FÜR BESTELLUNG DER ERSATZTEILE / DRAWING ASSEMBLIES FOR SPARE PARTS ORDER	90
25.1. HLAVNÍ SVĚRÁK / HAUPTSCHRAUBSTOCK / MAIN VICE	91
25.2. UPÍNACÍ VÁLEC HLAVNÍHO SVĚRÁKU / SPANNZYLINDER DES HAUPTSCHRAUBSTOCKES / MAIN VICE CLAMPING CYLINDER - 251.319	93
25.3. PODÁVACÍ SVĚRÁK / VORSCHUBSCHRAUBSTOCK / FEEDING VICE	95
25.4. UPÍNACÍ VÁLEC PODÁVACÍHO SVĚRÁKU/ SPANNZYLINDER DES VORSCHUBSCHRAUBSTOCKES / FEEDING VICE CLAMPING CYLINDER - 251.320	97
25.5. PODÁVACÍ VÁLEC PODÁVACÍHO SVĚRÁKU/ VORSCHUBZYLINDER DES VORSCHUBSCHRAUBSTOCKES / FEEDING VICE - FEEDING CYLINDER - 251.052	99
25.6. HORNÍ UPÍNÁNÍ / OBERE SPANNUNG / UPPER CLAMPING - 271.070	101
25.7. UPÍNACÍ VÁLEC HORNÍHO UPÍNÁNÍ / SPANNZYLINDER DER OBEREN SPANNUNG / UPPER CLAMPING CYLINDER	103
25.8. VÁLEČKOVÁ TRAŤ / ROLLENBAHN / CONVEYOR	105
25.9. OTOČNÁ KONZOLA / GEHRUNGSKONSOLE / TURNING CONSOLE	107
25.10. POHON A KRYTY / ANTRIEB UND ABDECKUNGEN / SAW BAND DRIVE AND COVERS	109
25.11. NAPÍNÁNÍ PILOVÉHO PÁSU / SÄGEBANDSPANNUNG / SAW BAND STRETCHING	111
25.12. LEVÁ VODÍCÍ KOSTKA / LINKER FÜHRUNGSKLOTZ / LEFT GUIDING CUBE	113
25.13. PRAVÁ VODÍCÍ KOSTKA / RECHTER FÜHRUNGSKLOTZ / RIGHT GUIDING CUBE	115
25.14. KARTÁČEK / SPÄNBÜRSTE / BRUSH	117
25.15. ZVEDACÍ VÁLEC / HUBZYLINDER / LIFTING CYLINDER – 251.231	119
26. TROUBLESHOOTING TABLE	121
27. ROLLER CONVEYORS AND ACCESSORIES	124
27.1. ROLLER CONVEYORS OF M TYPE	124
27.1.1. <i>Roller conveyors</i>	124
27.1.2. <i>Length stops</i>	125
27.1.3. <i>Feeding machines</i>	126
27.1.4. <i>Accessories of roller conveyors</i>	126
27.1.5. <i>Connection schema of the roller conveyors to the band saw</i>	127
27.2. ROLLER CONVEYORS OF D TYPE	130
27.2.1. <i>Roller conveyors</i>	130
27.2.2. <i>Length stops</i>	130
27.2.3. <i>Feeding machines</i>	131
27.2.4. <i>Connection sets</i>	131
27.2.5. <i>Accessories of roller conveyors</i>	132
27.2.6. <i>Connection schema of the roller conveyors to the band saw</i>	133
DECLARATION OF CONFORMITY	136

21. Rozměrové schéma / Aufstellzeichnung / Installation diagram

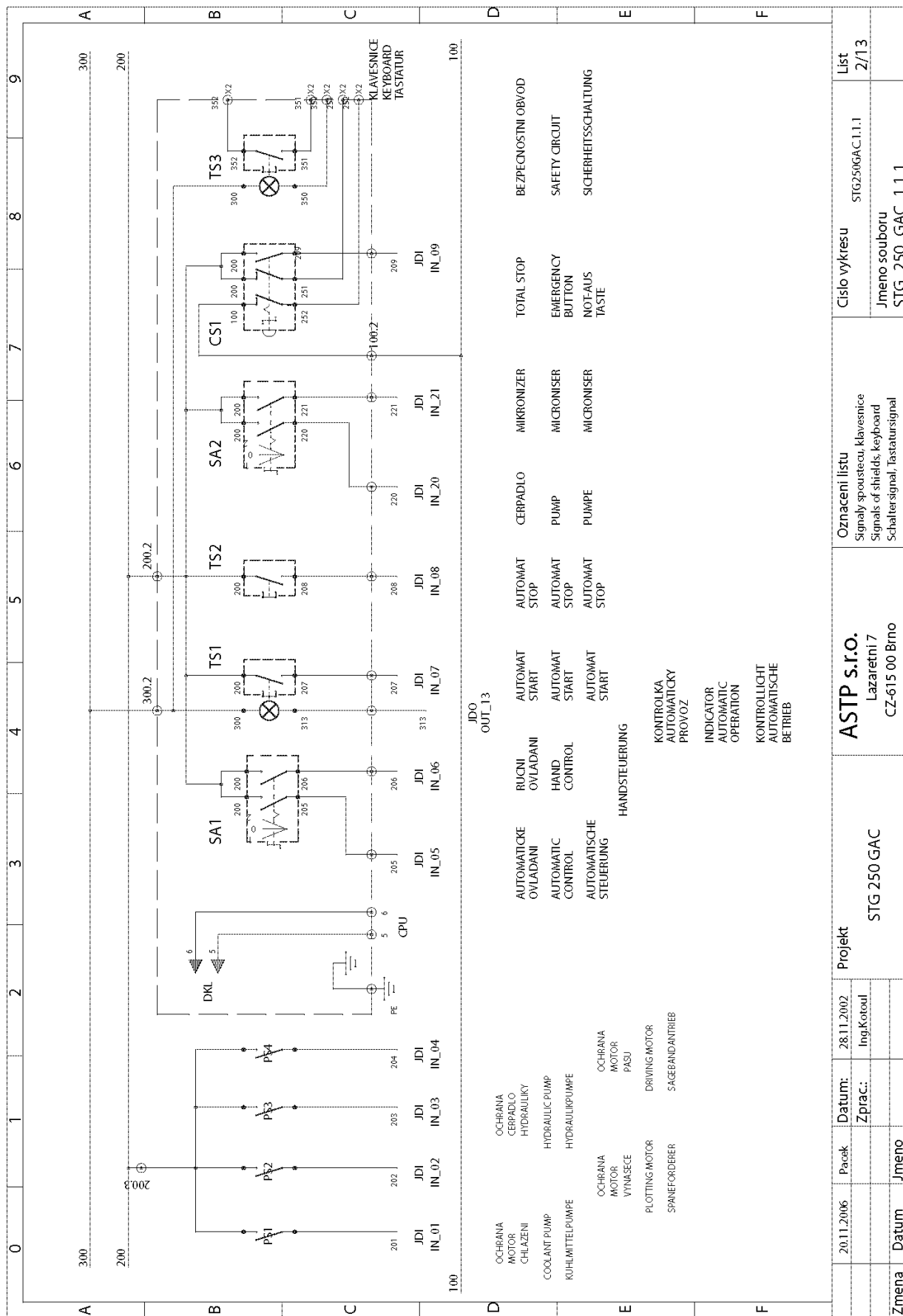


Rozměrové schéma / Aufstellzeichnung / Installation diagram

22. Elektrická schémata / Elektroschemas / Wiring diagrams

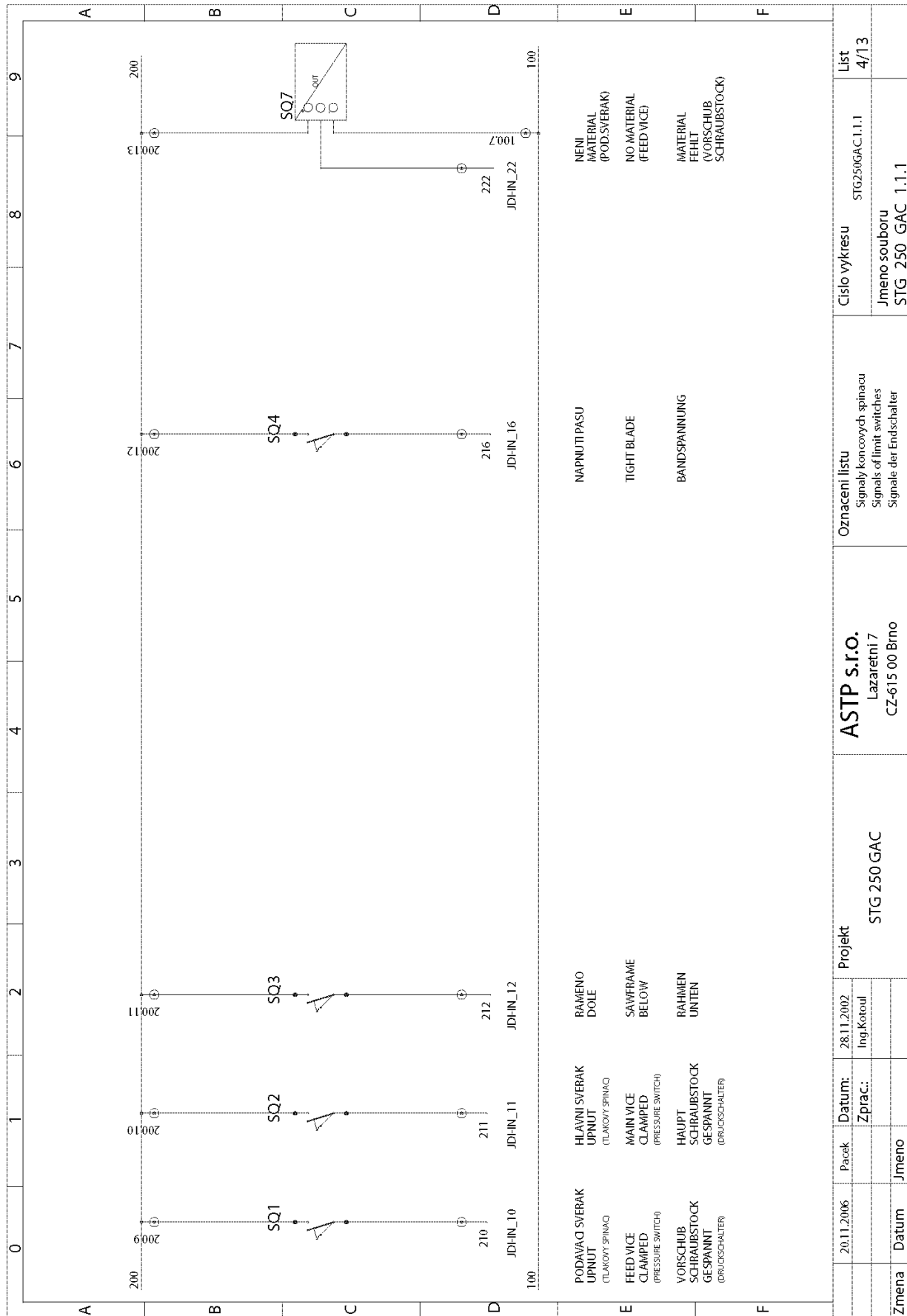


22.1. Elektrické schéma / Elektroschema / Wiring diagram

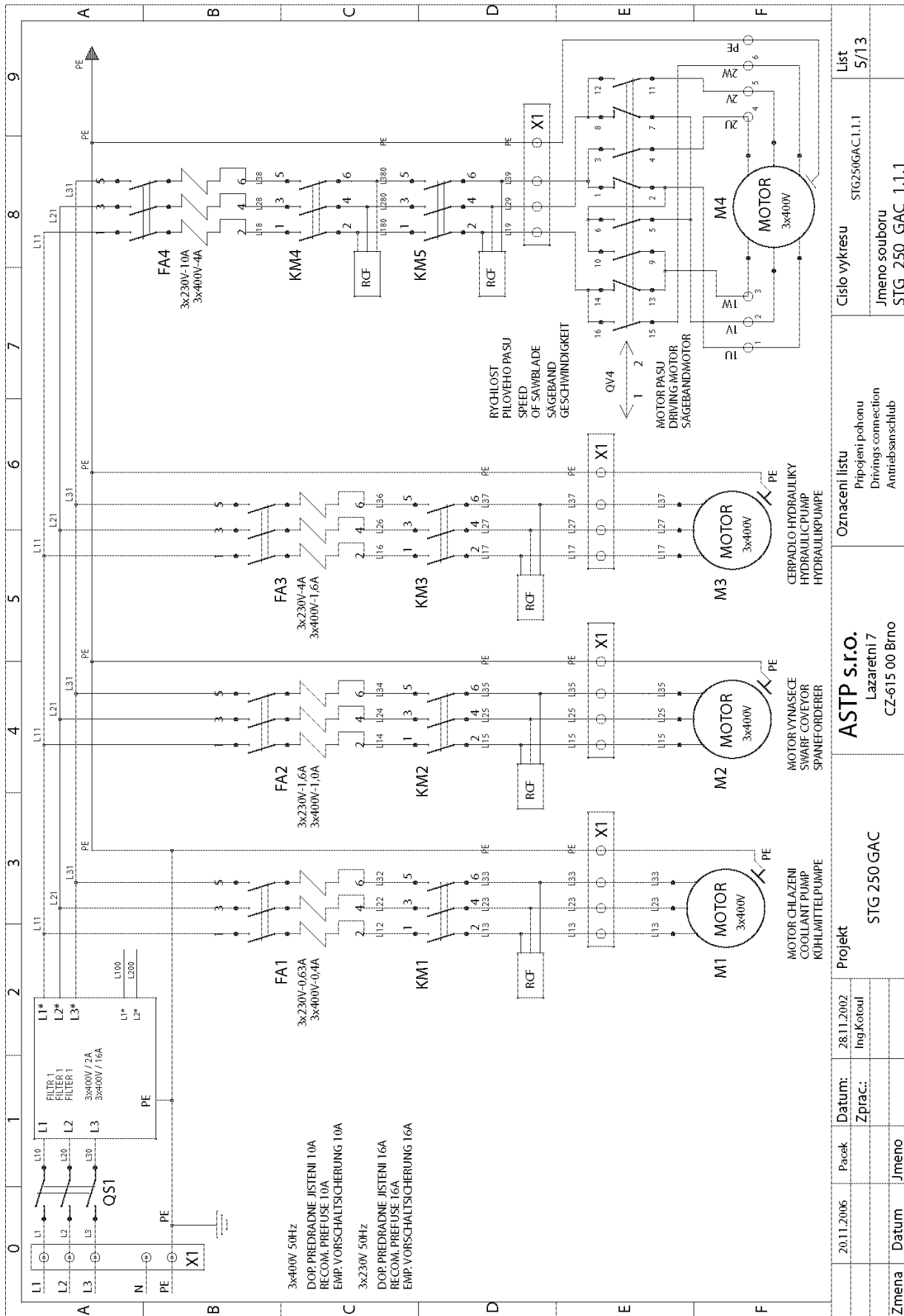


Zmena	Datum	Jmeno	Zprac:	Ing.Kotoul	Datum:	28.11.2002	Projekt	STG 250 GAC	ASTP s.r.o. Lazaretni 7 CZ-615 00 Brno	Oznaceni listu Signaly spousteou, klavesnice Signals of shields, keyboard Schalter signal, Tastatursignal	Cislo vykresu STG250GAC.1.1.1	List 2/13
											Jmeno souboru STG_250_GAC_1.1.1	

22.2. Elektrické schéma / Elektroschema / Wiring diagram

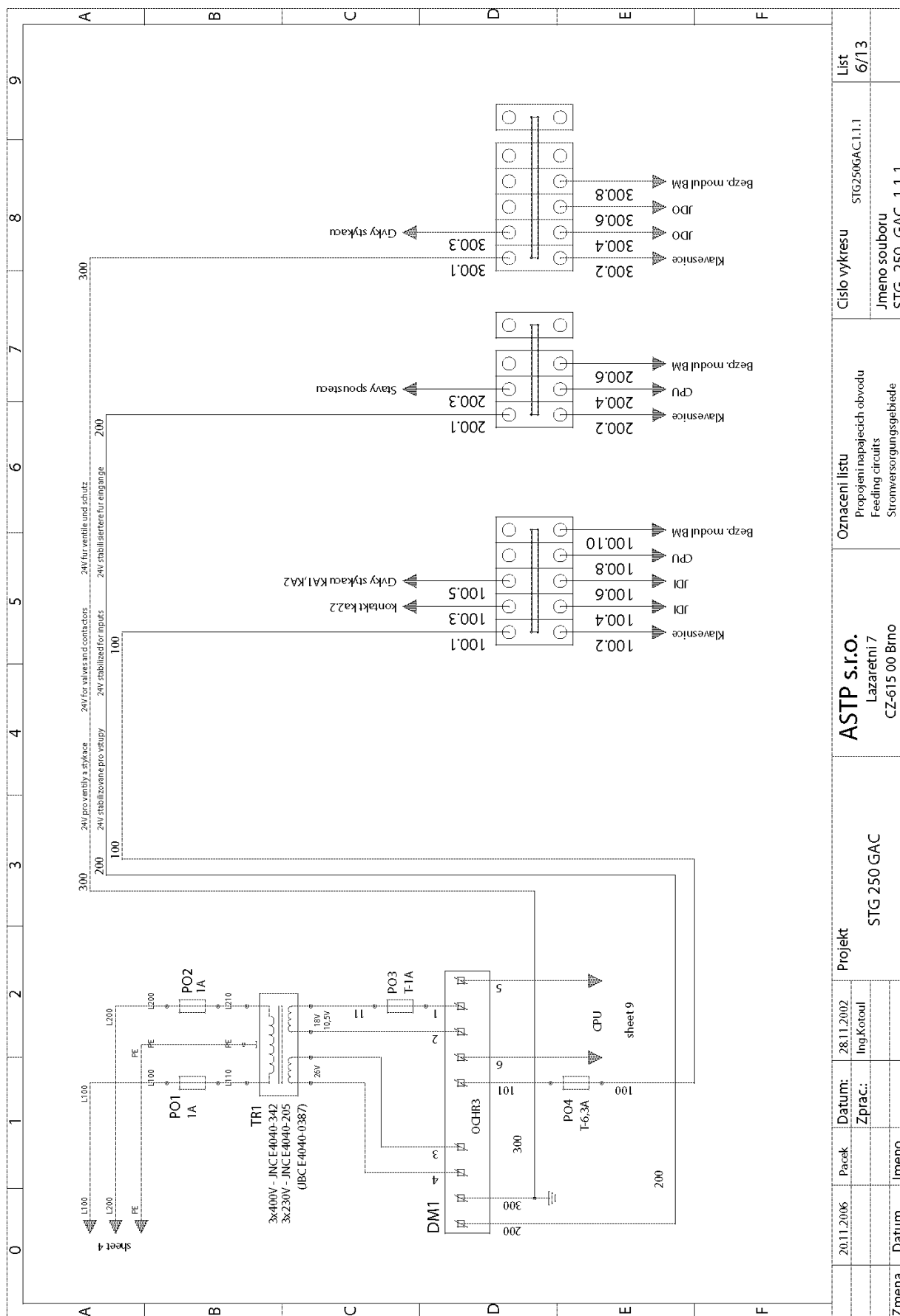


22.4. Elektrické schéma / Elektroschema / Wiring diagram



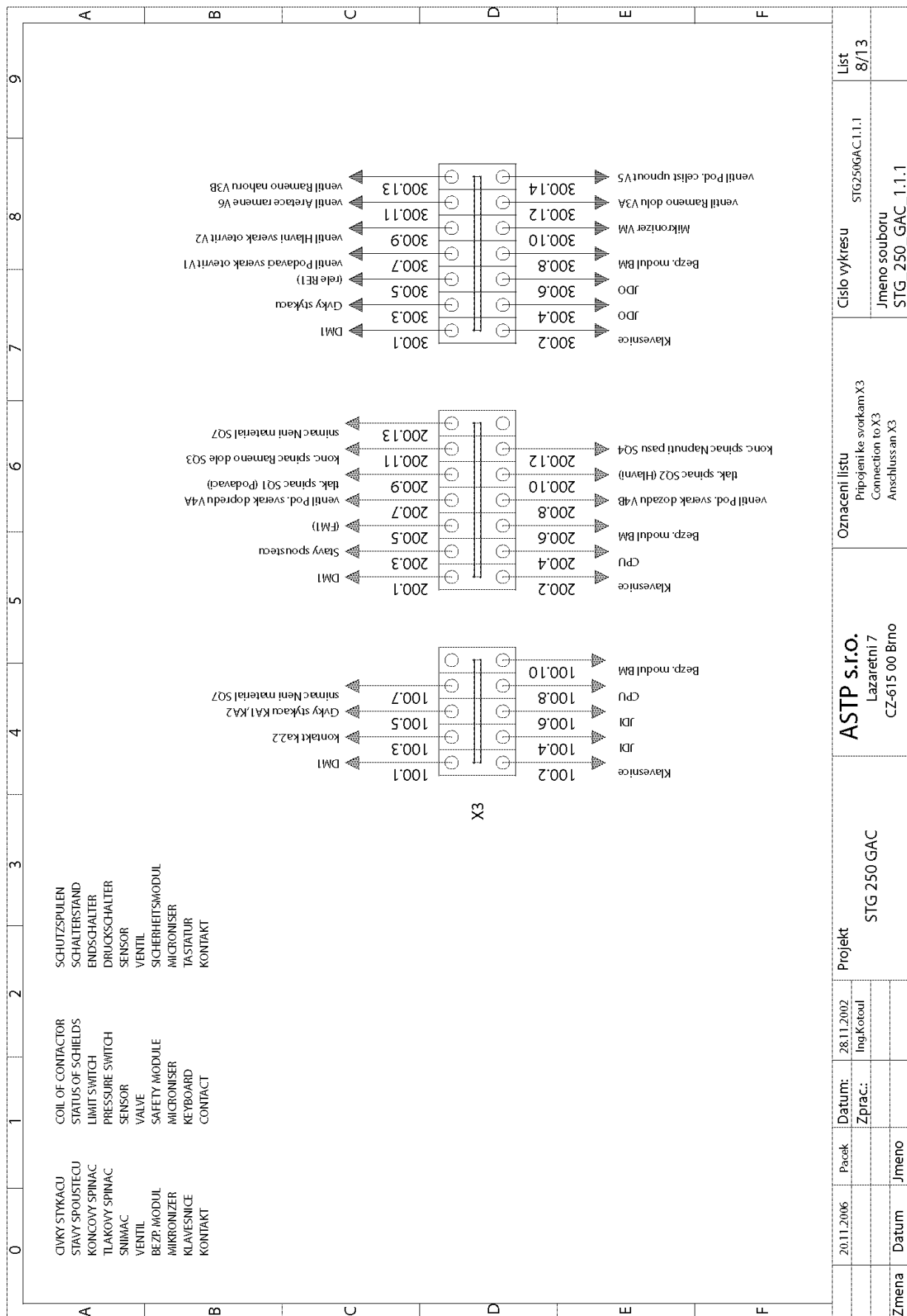
Zmena	Datum	Jmeno	Zprac:	Datum:	Pacek	Projekt	ASTP s.r.o. Lazaretni 7 CZ-615 00 Brno	Oznaceni listu Pripojeni pohonu Drivings connection Antriebsanschluß	Cislo vykresu STG250GAC.1.1.1	List 5/13
						STG 250 GAC			Jmeno souboru STG_250_GAC_1.1.1	

22.5. Elektrické schéma / Elektroschema / Wiring diagram

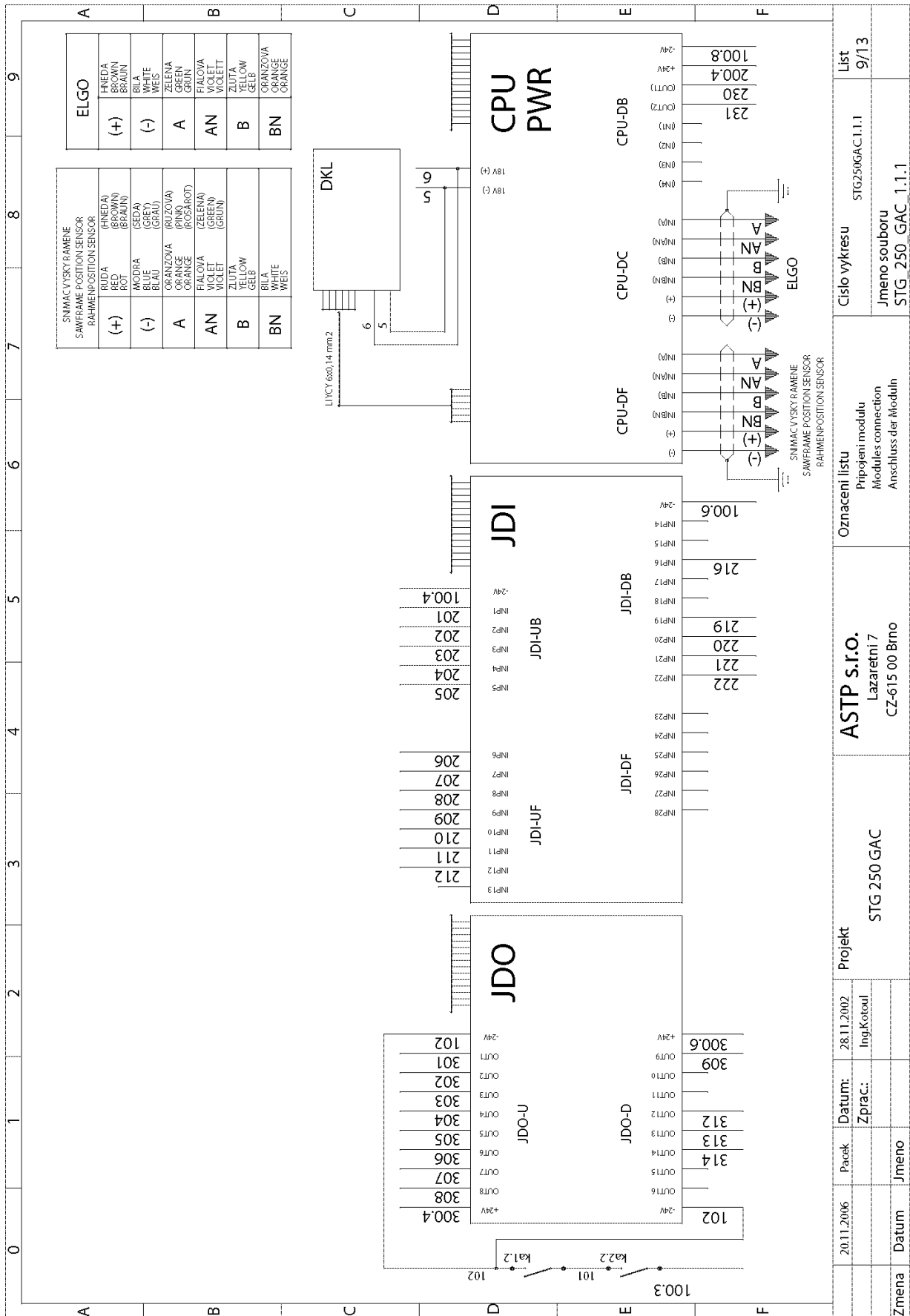


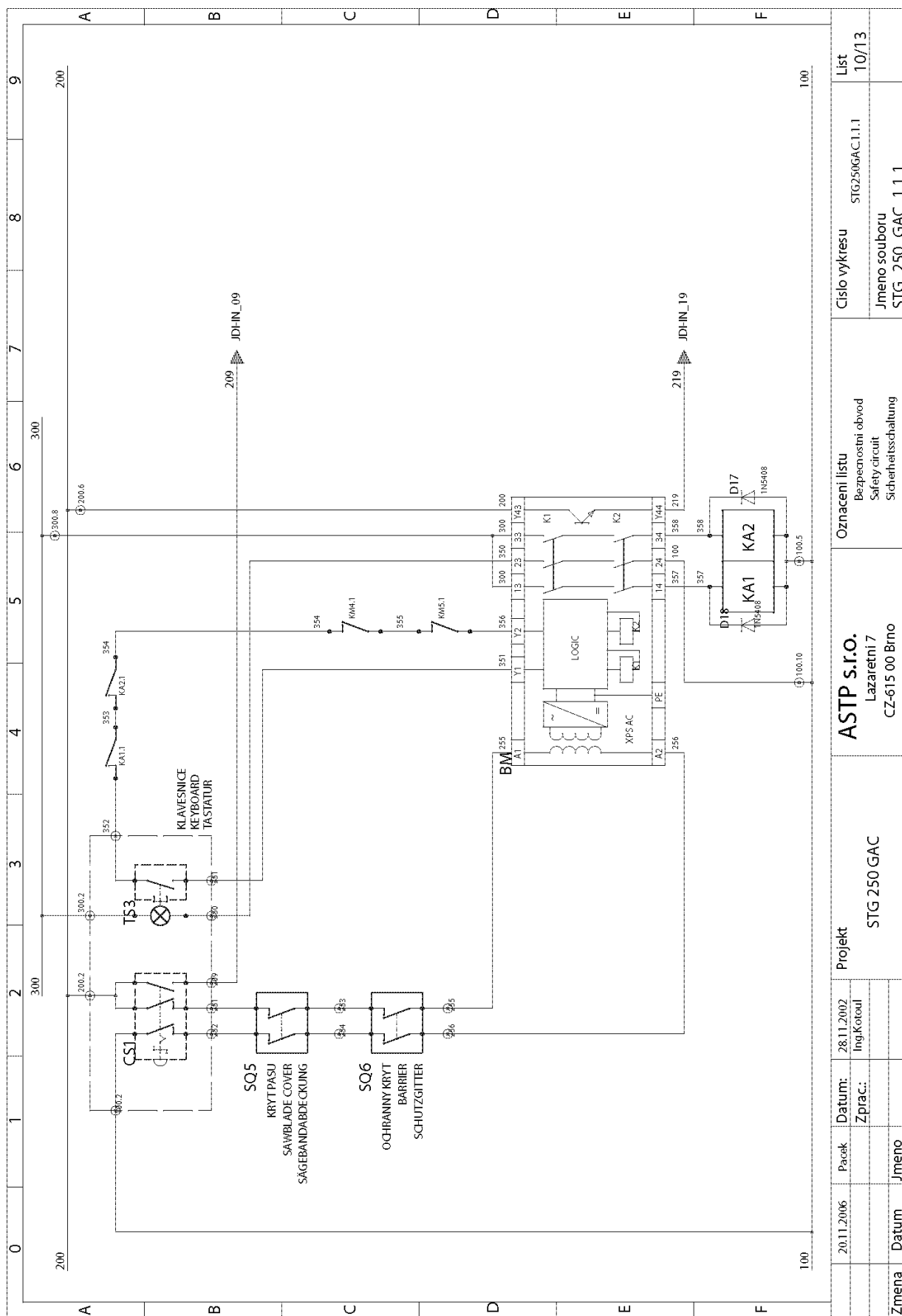
Zmena	Datum	Jmeno	
	20.11.2006	Pacek	
	Datum: 28.11.2002	Zprac.: Ing.Kotoul	
	Projekt		STG 250 GAC
	ASTP s.r.o.		Lazaretni 7 CZ-615 00 Brno
	Oznaceni listu		Projopieni napajecich obvodu Feeding circuits Stromversorgungsgebiete
	Cislo vykresu		STG250GAC.1.1.1
	List		6/13
	Jmeno souboru		STG_250_GAC_1.1.1

22.6. Elektrické schéma / Elektroschema / Wiring diagram



22.8. Elektrické schéma / Elektroschema / Wiring diagram





22.10. Elektrické schéma / Elektroschema / Wiring diagram

0		1		2		3		4		5		6		7		8		9													
A		B		C		D		E		F																					
JDO - Signalizace stavu vystupu 16 15 14 Aktivovat mikromizer 13 Aktivovat kontrolku aut. rezimu 12 Podavaci celist upnut 11 10 9 Rameno nahoru 8 Rameno dolu 7 Odaretovat rameno 6 Otevrit hlavni sverak 5 Otevrit podavaci sverak 4 Zapnout motor pasu 3 Zapnout cerpadlo hydrauliky 2 Zapnout motor vynasece 1 Zapnout motor chlazení		JDI - Signalizace stavu vstupu tlačítko uvolнено 16 Pas ply je napnutý 15 14 13 12 Rameno je dole 11 Hlavni sverak upnut 10 Podavaci sverak upnut 9 Total stop aktivovan 8 Stop automatickeho rezimu 7 Start automatickeho rezimu 6 Aktivovano rucni ovladani 5 Aktivovano automaticke ovladani 4 Ochrana motoru pasu OK 3 Ochrana cerpadla hydrauliky OK 2 Ochrana motoru vynasece OK 1 Ochrana motoru chlazení OK		CPU - Signalizace stavu jednotky 12 Napajeni 5V 11 Napajeni 5V-KOMI 10 Interni CAN - TXD 9 Interni CAN - RXD 8 Externi CAN - TXD 7 Externi CAN - RXD 6 5 4 Zadana poloha dosazena 3 Regulace podavace-aktivni 2 Podavac dozadu 1 Podavac dopredu																											
Zmena		Datum		Jmeno		Pacek		Datum:		28.11.2002		Ing. Kocoul		Projekt		STG 250 GAC		ASTP s.r.o.		Oznaceni listu		Signalizace LED diod		Cislo vykresu		STG250GAC.1.1.1		List		11/13	
								Zprac.:						STG 250 GAC		Lazaretni 7		CZ-615 00 Brno						Jmeno souboru		STG_250_GAC_1.1.1					

22.11. Elektrické schéma / Elektroschema / Wiring diagram

	0	1	2	3	4	5	6	7	8	9																																																																																																																																																																																																													
A	<table border="1"> <thead> <tr> <th colspan="12">JDO - Output State Signalization</th> </tr> </thead> <tbody> <tr><td>16</td><td></td><td></td><td></td><td></td><td></td><td></td><td></td><td></td><td></td><td></td><td></td></tr> <tr><td>15</td><td></td><td></td><td></td><td></td><td></td><td></td><td></td><td></td><td></td><td></td><td></td></tr> <tr><td>14</td><td></td><td></td><td></td><td></td><td></td><td></td><td></td><td></td><td></td><td></td><td></td></tr> <tr><td>13</td><td></td><td></td><td></td><td></td><td></td><td></td><td></td><td></td><td></td><td></td><td></td></tr> <tr><td>12</td><td></td><td></td><td></td><td></td><td></td><td></td><td></td><td></td><td></td><td></td><td></td></tr> <tr><td>11</td><td></td><td></td><td></td><td></td><td></td><td></td><td></td><td></td><td></td><td></td><td></td></tr> <tr><td>10</td><td></td><td></td><td></td><td></td><td></td><td></td><td></td><td></td><td></td><td></td><td></td></tr> <tr><td>9</td><td></td><td></td><td></td><td></td><td></td><td></td><td></td><td></td><td></td><td></td><td></td></tr> <tr><td>8</td><td></td><td></td><td></td><td></td><td></td><td></td><td></td><td></td><td></td><td></td><td></td></tr> <tr><td>7</td><td></td><td></td><td></td><td></td><td></td><td></td><td></td><td></td><td></td><td></td><td></td></tr> <tr><td>6</td><td></td><td></td><td></td><td></td><td></td><td></td><td></td><td></td><td></td><td></td><td></td></tr> <tr><td>5</td><td></td><td></td><td></td><td></td><td></td><td></td><td></td><td></td><td></td><td></td><td></td></tr> <tr><td>4</td><td></td><td></td><td></td><td></td><td></td><td></td><td></td><td></td><td></td><td></td><td></td></tr> <tr><td>3</td><td></td><td></td><td></td><td></td><td></td><td></td><td></td><td></td><td></td><td></td><td></td></tr> <tr><td>2</td><td></td><td></td><td></td><td></td><td></td><td></td><td></td><td></td><td></td><td></td><td></td></tr> <tr><td>1</td><td></td><td></td><td></td><td></td><td></td><td></td><td></td><td></td><td></td><td></td><td></td></tr> </tbody> </table>											JDO - Output State Signalization												16												15												14												13												12												11												10												9												8												7												6												5												4												3												2												1											
JDO - Output State Signalization																																																																																																																																																																																																																							
16																																																																																																																																																																																																																							
15																																																																																																																																																																																																																							
14																																																																																																																																																																																																																							
13																																																																																																																																																																																																																							
12																																																																																																																																																																																																																							
11																																																																																																																																																																																																																							
10																																																																																																																																																																																																																							
9																																																																																																																																																																																																																							
8																																																																																																																																																																																																																							
7																																																																																																																																																																																																																							
6																																																																																																																																																																																																																							
5																																																																																																																																																																																																																							
4																																																																																																																																																																																																																							
3																																																																																																																																																																																																																							
2																																																																																																																																																																																																																							
1																																																																																																																																																																																																																							
B	<table border="1"> <thead> <tr> <th colspan="12">JDI - Input State Signalization</th> </tr> </thead> <tbody> <tr><td>16</td><td></td><td></td><td></td><td></td><td></td><td></td><td></td><td></td><td></td><td></td><td></td></tr> <tr><td>15</td><td></td><td></td><td></td><td></td><td></td><td></td><td></td><td></td><td></td><td></td><td></td></tr> <tr><td>14</td><td></td><td></td><td></td><td></td><td></td><td></td><td></td><td></td><td></td><td></td><td></td></tr> <tr><td>13</td><td></td><td></td><td></td><td></td><td></td><td></td><td></td><td></td><td></td><td></td><td></td></tr> <tr><td>12</td><td></td><td></td><td></td><td></td><td></td><td></td><td></td><td></td><td></td><td></td><td></td></tr> <tr><td>11</td><td></td><td></td><td></td><td></td><td></td><td></td><td></td><td></td><td></td><td></td><td></td></tr> <tr><td>10</td><td></td><td></td><td></td><td></td><td></td><td></td><td></td><td></td><td></td><td></td><td></td></tr> <tr><td>9</td><td></td><td></td><td></td><td></td><td></td><td></td><td></td><td></td><td></td><td></td><td></td></tr> <tr><td>8</td><td></td><td></td><td></td><td></td><td></td><td></td><td></td><td></td><td></td><td></td><td></td></tr> <tr><td>7</td><td></td><td></td><td></td><td></td><td></td><td></td><td></td><td></td><td></td><td></td><td></td></tr> <tr><td>6</td><td></td><td></td><td></td><td></td><td></td><td></td><td></td><td></td><td></td><td></td><td></td></tr> <tr><td>5</td><td></td><td></td><td></td><td></td><td></td><td></td><td></td><td></td><td></td><td></td><td></td></tr> <tr><td>4</td><td></td><td></td><td></td><td></td><td></td><td></td><td></td><td></td><td></td><td></td><td></td></tr> <tr><td>3</td><td></td><td></td><td></td><td></td><td></td><td></td><td></td><td></td><td></td><td></td><td></td></tr> <tr><td>2</td><td></td><td></td><td></td><td></td><td></td><td></td><td></td><td></td><td></td><td></td><td></td></tr> <tr><td>1</td><td></td><td></td><td></td><td></td><td></td><td></td><td></td><td></td><td></td><td></td><td></td></tr> </tbody> </table>											JDI - Input State Signalization												16												15												14												13												12												11												10												9												8												7												6												5												4												3												2												1											
JDI - Input State Signalization																																																																																																																																																																																																																							
16																																																																																																																																																																																																																							
15																																																																																																																																																																																																																							
14																																																																																																																																																																																																																							
13																																																																																																																																																																																																																							
12																																																																																																																																																																																																																							
11																																																																																																																																																																																																																							
10																																																																																																																																																																																																																							
9																																																																																																																																																																																																																							
8																																																																																																																																																																																																																							
7																																																																																																																																																																																																																							
6																																																																																																																																																																																																																							
5																																																																																																																																																																																																																							
4																																																																																																																																																																																																																							
3																																																																																																																																																																																																																							
2																																																																																																																																																																																																																							
1																																																																																																																																																																																																																							
C	<table border="1"> <thead> <tr> <th colspan="12">CPU - Unit State Signalization</th> </tr> </thead> <tbody> <tr><td>12</td><td></td><td></td><td></td><td></td><td></td><td></td><td></td><td></td><td></td><td></td><td></td></tr> <tr><td>11</td><td></td><td></td><td></td><td></td><td></td><td></td><td></td><td></td><td></td><td></td><td></td></tr> <tr><td>10</td><td></td><td></td><td></td><td></td><td></td><td></td><td></td><td></td><td></td><td></td><td></td></tr> <tr><td>9</td><td></td><td></td><td></td><td></td><td></td><td></td><td></td><td></td><td></td><td></td><td></td></tr> <tr><td>8</td><td></td><td></td><td></td><td></td><td></td><td></td><td></td><td></td><td></td><td></td><td></td></tr> <tr><td>7</td><td></td><td></td><td></td><td></td><td></td><td></td><td></td><td></td><td></td><td></td><td></td></tr> <tr><td>6</td><td></td><td></td><td></td><td></td><td></td><td></td><td></td><td></td><td></td><td></td><td></td></tr> <tr><td>5</td><td></td><td></td><td></td><td></td><td></td><td></td><td></td><td></td><td></td><td></td><td></td></tr> <tr><td>4</td><td></td><td></td><td></td><td></td><td></td><td></td><td></td><td></td><td></td><td></td><td></td></tr> <tr><td>3</td><td></td><td></td><td></td><td></td><td></td><td></td><td></td><td></td><td></td><td></td><td></td></tr> <tr><td>2</td><td></td><td></td><td></td><td></td><td></td><td></td><td></td><td></td><td></td><td></td><td></td></tr> <tr><td>1</td><td></td><td></td><td></td><td></td><td></td><td></td><td></td><td></td><td></td><td></td><td></td></tr> </tbody> </table>											CPU - Unit State Signalization												12												11												10												9												8												7												6												5												4												3												2												1																																																											
CPU - Unit State Signalization																																																																																																																																																																																																																							
12																																																																																																																																																																																																																							
11																																																																																																																																																																																																																							
10																																																																																																																																																																																																																							
9																																																																																																																																																																																																																							
8																																																																																																																																																																																																																							
7																																																																																																																																																																																																																							
6																																																																																																																																																																																																																							
5																																																																																																																																																																																																																							
4																																																																																																																																																																																																																							
3																																																																																																																																																																																																																							
2																																																																																																																																																																																																																							
1																																																																																																																																																																																																																							
D																																																																																																																																																																																																																							
E																																																																																																																																																																																																																							
F																																																																																																																																																																																																																							
	20.11.2006	Pacek	Datum: 28.11.2002 Zprac.: Ing. Kotoul	Projekt STG 250 GAC	ASTP s.r.o. Lazaretní 7 CZ-615 00 Brno	Oznaceni listu Description of the LED diodes signalization	Cislo vykresu STG250GAC.1.1.1	Imeno souboru STG_250_GAC_1.1.1	List 12/13																																																																																																																																																																																																														
Zmena	Datum	Jmeno																																																																																																																																																																																																																					

22.12. Elektrické schéma / Elektroschema / Wiring diagram

JDO - Ausgabe - Standanzeige		JDI - Eingabe - Standanzeige		CPU - Ausgabe - Einheitsstand	
16	Taste gelöst	16	Taste gedrückt	12	Versorgung 5V
15	Sägeband gespannt	15	Sägeband gespannt	11	Versorgung 5V-KOMI
14	Microniser aktivieren	14		10	Intern CAN - TXD
13	Kontrollleuchte (aut.Betrieb) aktivieren	13		9	Intern CAN - RXD
12	Vorschubbacke spannen	12	Sägerahmen unten	8	Extern CAN - TXD
11		11	Hauptschraubstock gespannt	7	Extern CAN - RXD
10	Sägerahmen nach oben	10	Vorschubschraubstock gespannt	6	
9	Sägerahmen nach unten	9	NOT-AUS Taste aktiviert	5	
8	Sägerahmen nicht arretieren	8	STOP des automatischen Zyklus	4	Vorschub in der gewünschten Position
7	Hauptschraubstock öffnen	7	START des automatischen Zyklus	3	Vorschubregulierung aktiv
6	Vorschubschraubstock öffnen	6	Manuelles Bedienen aktiviert	2	Vorschub nach hinten
5	Sägebandantrieb einschalten	5	Automatisches Bedienen aktiviert	1	Vorschub nach vorne
4	Hydraulikpumpe einschalten	4	Schutz des Sägebandantriebes OK		
3	Spannförderer einschalten	3	Schutz der Hydraulikpumpe OK		
2	Kühlmittelpumpe einschalten	2	Schutz des Spannförderers OK		
1		1	Schutz der Kühlmittelpumpe OK		

Projekt		ASTP s.r.o.		Oznaceni listu	
20.11.2006	Pacek	11.3.2003	Lazaretní 7	Cislo vykresu	STG250GAC.1.1.1
	Zprac.: Sestak	CZ-615 00 Brno		Jmeno souboru	STG_250_GAC_1.1.1
Zmena	Datum	Jmeno			List
					13/13

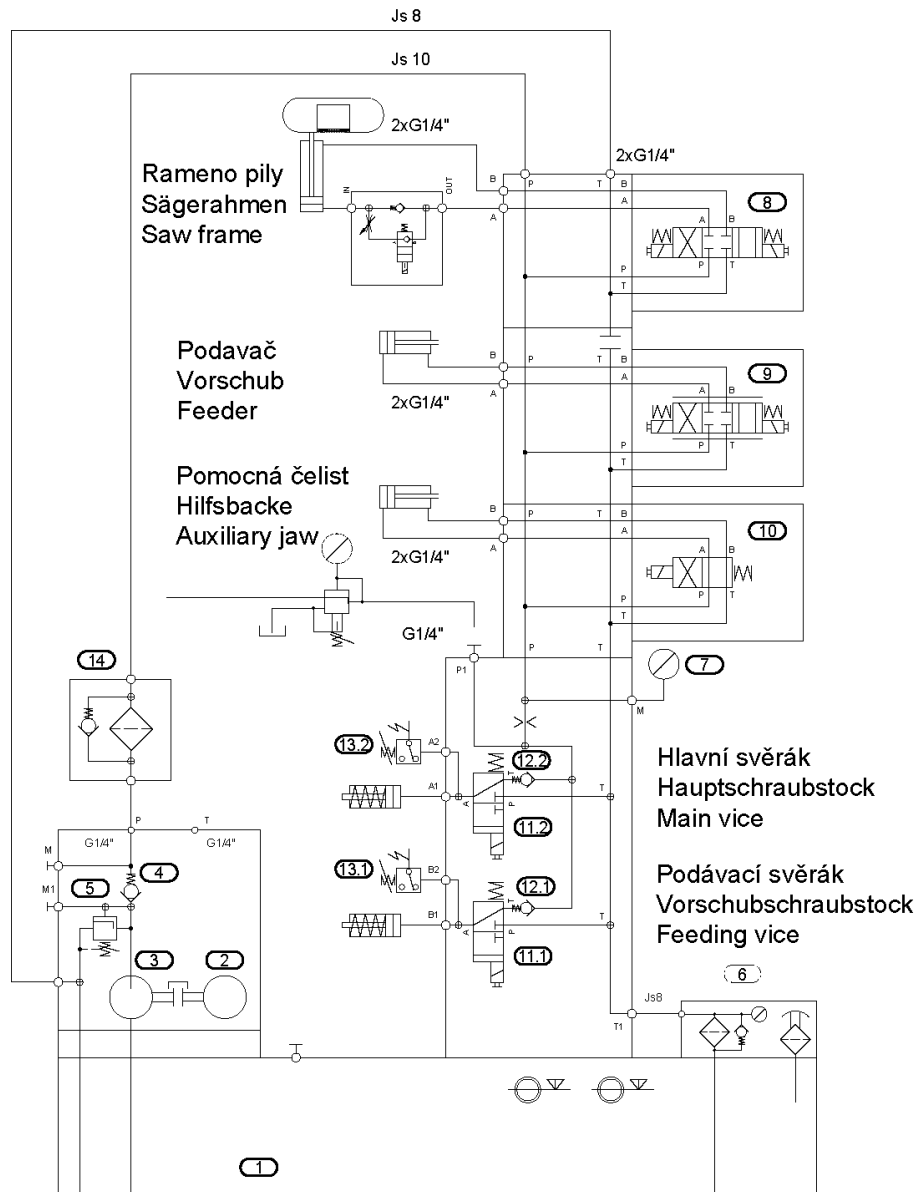
22.13. Elektrické schéma / Elektroschema / Wiring diagram

23. Kusovník elektrosoučástí / Stückliste der Elektroteilen / Piece list of electroparts

ATTENTION! Only qualified person can do the servicing and repairs. For parts changing, use only parts, which are identical with the originals

Bestell - Nr.	Bezeichnung		Menge	Sign.
Objednáací číslo	Název položky		ks	Ozn.
Reference No.	Item		Pcs.	Sign.
91.041.004	Filtr / Filter / Filter	FZ72460	5	RCF
91.040.004	Stykač / Schütz / Contactor	LP1K0901BD 24Vss	7	KM
91.045.003	Jistič / Schutzzegeř / Circuit breaker	MS 116/0.4 A ABB	1	FA
91.045.005	Motorový spouštěč / Motor Starter / Motor Starter	MS116-1A(ABB)	1	FA
91.045.009	Motorový spouštěč / Motor Starter / Motor Starter	MS116-6,3A(ABB)	1	FA
91.045.008	Motorový spouštěč / Motor Starter / Motor Starter	MS116 -4,0A (ABB)	1	FA3
91.046.002	Motorový spouštěč / Motor Starter / Motor Starter	HK1-11(ABB)	5	FA1
91.170.005	Vypínač / Ausschalter / Switch		1	QS,Q
91.995.039	Modul / Modul / Modul	JDI-2/2	1	JDI
91.995.040	Modul / Modul / Modul	JDO-2	2	JDO
91.995.048	Modul / Modul / Module	DKL-F5	1	DKL
91.995.060	Modul / Modul / Modul	CPU2-E	1	CPU
91.020.004	Čerpadlo chlazení / Kühlmittelpumpe / Coolant pump	2COP1-14 (POM)	1	M2
91.001.007	Elektromotor / Elektromotor / Electromotor	(TM) 90 2/4 B5	1	M

24. Hydraulické schéma / Hydraulikschema / Hydraulic diagram



Základní technické parametry:
 Technische Spezifikation:
 Technical specification:

Q	8,2	dm ³ .min ⁻¹	ot.	1390	min ⁻¹
p _{max}	3	MPa	P	0,55	kW

Hydraulické schéma:
 Hydraulikschema:
 Hydraulic diagram:

870-1606

Schéma / Schema / Diagram: 8701606B.DWG
 Datum / Datum / Date: 17. 02. 2004

Hydraulické schéma / Hydraulikschema / Hydraulic diagram

Poz.	Název položky	ks
Pos.	Bezeichnung	Menge
Pos.	Item	Pcs.
1	Nádrž / Behälter / Tank	1
2	Elektromotor / Elektromotor / Electromotor MA-AL 80-4	1
3	Hydrogenerátor / Hydraulikgenerator / Hydrogenerator P2-6,2L.66017	1
4	Jednosměrný ventil / Einwegventil / One-way valve VJO1-06/SG-1	1
5	Přepouštěcí ventil / Bypašventil / By-pass valve VPP2-04/S-6S	1
6	Filtr / Filter / Filter FR 043-166	1
	Vložka filtru / Filtereinsatz / Filter inset V3.0510-56	1
7	Manometr / Manometer / Manometer 0-6 MPa	1
8	Rozváděč / Verteilung / Distributor RPE3-043Z11/02400E1K1	1
9	Proporcionální ventil / Proportionalventil / Proportional valve PRM2-043Z11/04-24 MIKRO	1
10	Rozváděč / Verteilung / Distributor RPE3-042R11/02400E1K1	1
11	Rozváděč / Verteilung / Distributor ROX-042D21/02400E1K1	2
12	Jednosměrný ventil / Einwegventil / One-way valve VJO1-06/SG	2
13	Tlakový spínač / Druckschalter / Pressure switch SUCO 0166 411 031 043	2
14	Tlakový filtr / Druckfilter / Pressure filter D 042-153	1
	Vložka filtru / Filtereinsatz / Filter inset V3.0510-56	1

Označení hydraulických hadiček / Bezeichnung der hydraulischen Schlauche / Indication of hydraulic hose:

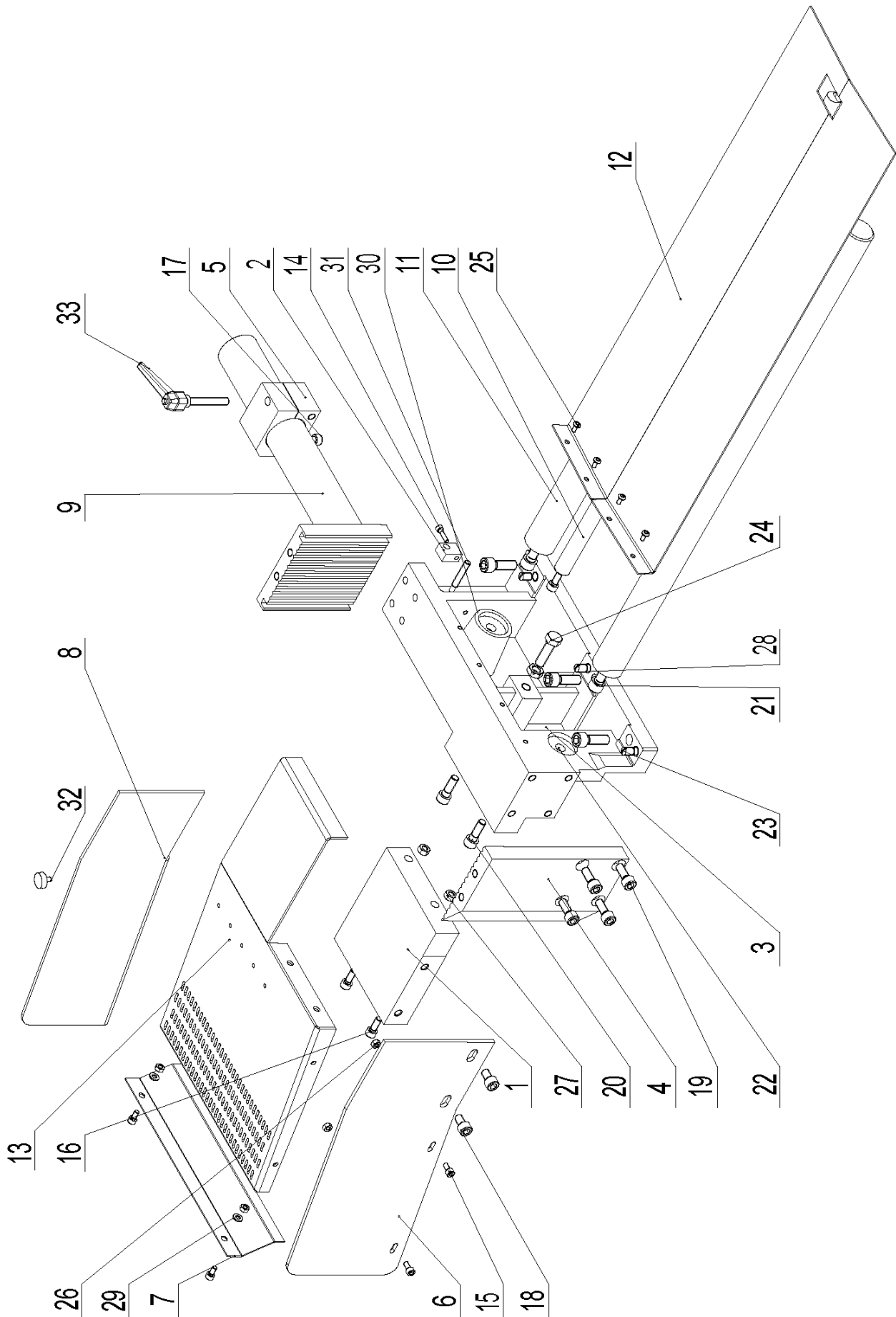
Hydr. hadice	Hadice	Kování	Konc. A	Konc. B	Konc. C	Konc. D	Konc. E	Konc. F	Konc. G	Ks
Hydr. Schlauche	Schlauche	Schmieden	Schlauchtüle A	B	C	D	E	F	G	Menge
Hydr. Hose	hose	forging	terminal A	B	C	D	E	F	G	piece
6AC1400	42.001.001	92.051.001	92.052.001	-	92.054.001	-	-	-	-	1
6BC1500	42.001.001	92.051.001	-	92.053.001	92.054.001	-	-	-	-	1
6BA1420	42.001.001	92.051.001	92.052.001	92.053.001	-	-	-	-	-	-
6BC1500	42.001.001	92.051.001	-	92.053.001	92.054.001	-	-	-	-	1
6BC1000	42.001.001	92.051.001	-	92.053.001	92.054.001	-	-	-	-	1
6BF400	42.001.001	92.051.001	-	92.053.001	-	-	-	93.012.006	-	1
6AA1300	42.001.001	92.051.001	92.052.001	-	-	-	-	-	-	1
6BA2920	42.001.001	92.051.001	92.052.001	92.053.001	-	-	-	-	-	1
6AE3800	42.001.001	92.051.001	92.052.001	-	-	-	93.012.004	-	-	1
SDRA										
6BA760	42.001.001	92.051.001	92.052.001	92.053.001	-	-	-	-	-	1
6BA970	42.001.001	92.051.001	92.052.001	92.053.001	-	-	-	-	-	1
6BA1100	42.001.001	92.051.001	92.052.001	92.053.001	-	-	-	-	-	1
10BB350	42.003.001	92.051.003	-	92.053.002	-	-	-	-	-	1
PZA										
6DA3300	42.001.001	92.051.001	92.052.001	-	-	92.053.004	-	-	-	1

25. Výkresy sestav pro objednání náhradních dílů / Zeichnungen für Bestellung der Ersatzteile / Drawing assemblies for spare parts order

Při objednávání náhradních dílů vždy uvádějte: typ stroje (např. STG 120), výrobní číslo (např. 125) a rok výroby (např. 1999).

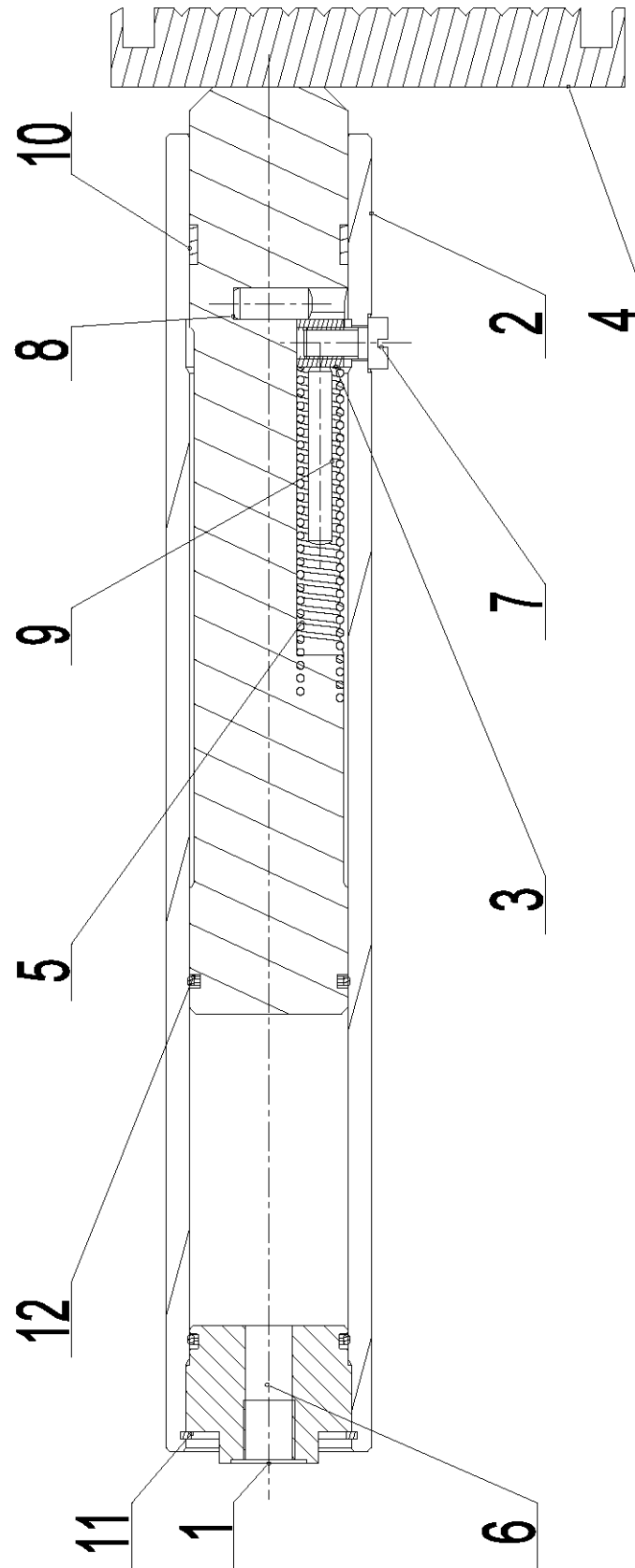
In die Bestellung der Ersatzteile führen Sie immer an:
Maschinentyp (z. B. STG 120), Serien Nr. (z. B. 125) und
Baujahr (z. B. 1999).

For spare parts order, you must always to allege: type of
machine (for example STG 120), serial number (for example 125)
and year of construction (for example 1999).



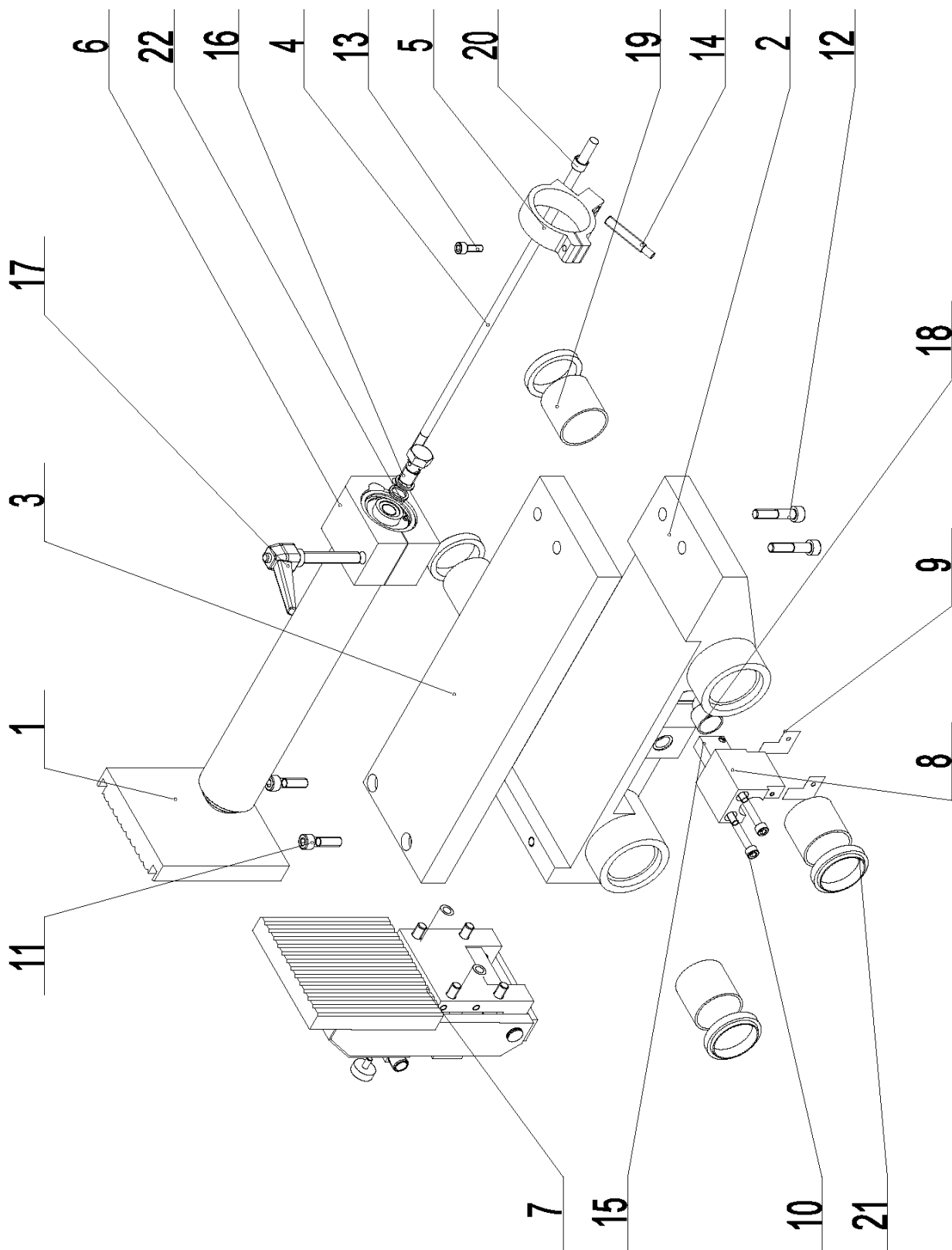
25.1. Hlavní svěrák / Hauptschraubstock / Main vice

Poz.	Objednací číslo	Název položky	ks
Pos.	Bestell - Nr.	Bezeichnung	Menge
Pos.	Reference No.	Item	Pcs.
1	30.2111-006	Podložka / Scheibe / Washer	1
2	30.2114-001	Držák / Halter / Holder	1
3	30.2303-001	Podstavec / Untergestell / Pedestal	1
4	30.2303-002	Čelist / Backe / Jaw	1
5	30.2303-003	Držák / Halter / Holder	1
6	30.2303-202	Čelist / Backe / Jaw	1
7	30.2303-204	Skluz / Rutsch / Slide	1
8	30.2303-205	Boční plech / Blech / Side panel	1
9		Válec / Zylinder / Cylinder	1
10	30.2311-204	Tyč odměřování / Abmessungsstange / Measuring rod	1
11	30.2311-205	Vodící tyč / Führungsstange / Guiding rod	2
12	30.2311-206	Plech / Blech / Panel	1
13	30.2311-207	Rošt / Gitter / Grid	1
14	90.001.25.010	Šroub / Schraube / Screw M5x20 DIN 912 8.8	1
15	90.001.25.016	Šroub / Schraube / Screw M6x12 DIN 912 8.8	4
16	90.001.25.032	Šroub / Schraube / Screw M8x20 DIN 912 8.8	3
17	90.001.25.036	Šroub / Schraube / Screw M8x40 DIN 912 8.8	1
18	90.001.25.045	Šroub / Schraube / Screw M10x16 DIN 912 8.8	2
19	90.001.25.047	Šroub / Schraube / Screw M10x25 DIN 912 8.8	4
20	90.001.25.048	Šroub / Schraube / Screw M10x30 DIN 912 8.8	2
21	90.001.25.057	Šroub / Schraube / Screw M12x25 DIN 912 8.8	1
22	90.001.25.059	Šroub / Schraube / Screw M12x35 DIN 912 8.8	6
23	90.002.2D.014	Šroub / Schraube / Screw M10x16 DIN 913 45H	5
24	90.005.55.034	Šroub / Schraube / Screw M12x40 DIN 933	1
25	90.013.27.003	Šroub / Schraube / Screw M5x10 ISO 7380	4
26	90.100.55.004	Matice / Mutter / Nut M6 DIN 934	4
27	90.100.55.005	Matice / Mutter / Nut M8 DIN 934	2
28	90.101.55.006	Matice / Mutter / Nut M12 DIN 439	1
29	90.150.50.004	Podložka / Scheibe / Washer Ø6,4 DIN 125	2
30	91.070.001	Vývodka / Ausführung / Bushing PG 7	1
31	91.172.001	Induktivní spínač / Induktiv. Schalter / Inductive switch BES M08MI	1
32	94.007.002	Šroub / Schraube / Screw M6x10	1
33	94.008.006	Montážní páka / Hebel / Assembly lever M10x60	1



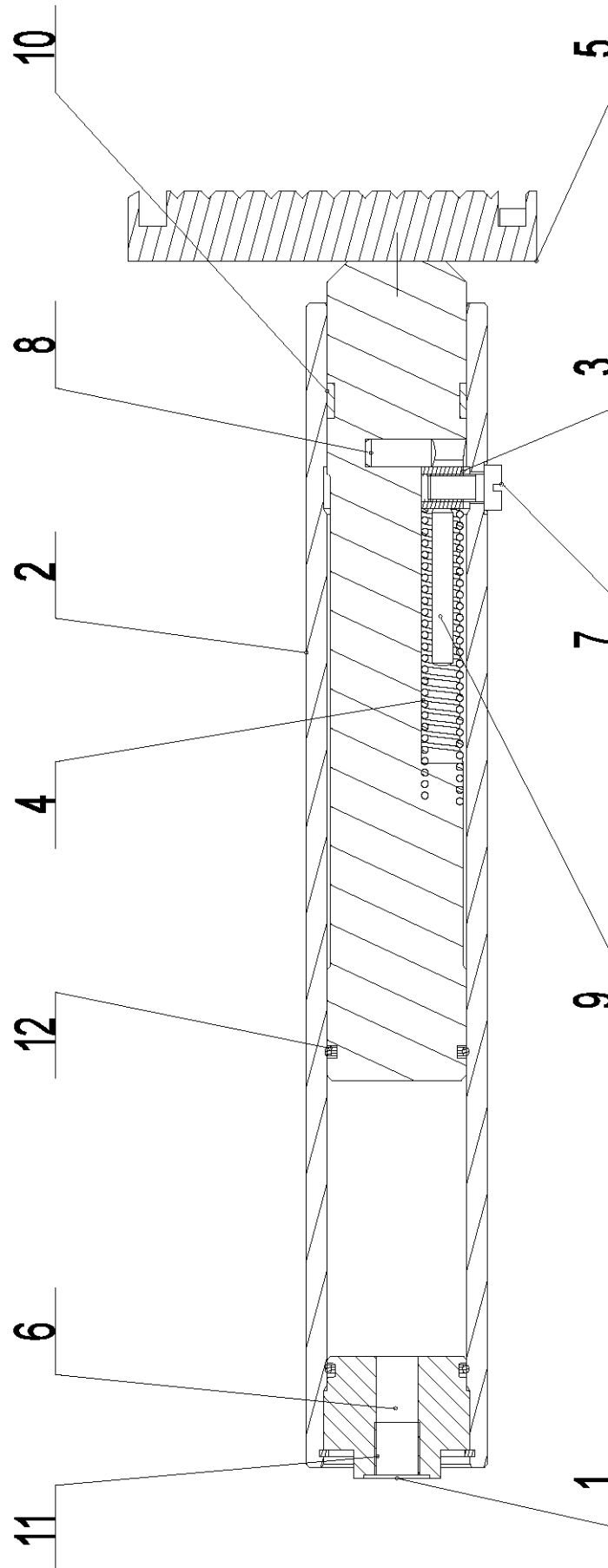
**25.2. Upínací válec hlavního svěráku / Spannzylinder des Hauptschraubstockes /
Main vice clamping cylinder - 251.319**

Poz.	Objednací číslo	Název položky	ks
Pos.	Bestell - Nr.	Bezeichnung	Menge
Pos.	Reference No.	Item	Pcs.
1	30.2107-203	Víko / Deckel / Cover	1
2	30.2107-204	Válec / Zylinder / Cylinder	1
3	30.2107-205	Narážka / Anschlag / Stop	1
4	30.2307-221	Čelist / Backe / Jaw	1
5	31.2107-206	Pružina / Feder / Spring	1
6	90.003.2D.001	Šroub / Schraube / Screw M5x6 DIN 914 45H	1
7	90.012.50.012	Šroub / Schraube / Screw M8x16 DIN 84	1
8	90.301.0Z.008	Válcový kolík / Zylinderstift / Parallel pin 8x20 DIN 7	1
9	90.301.0Z.017	Válcový kolík / Zylinderstift / Parallel pin 6x45 DIN 7	1
10	95.780.001	Vodící pásek / Führungsband / Guide band	1
11	95.801.006	Pojistný kroužek / Sicherungsring / Retaining ring Ø42 DIN 472	1
12	96.002.017	O-kroužek / O-Ring / O-ring 34x3	2



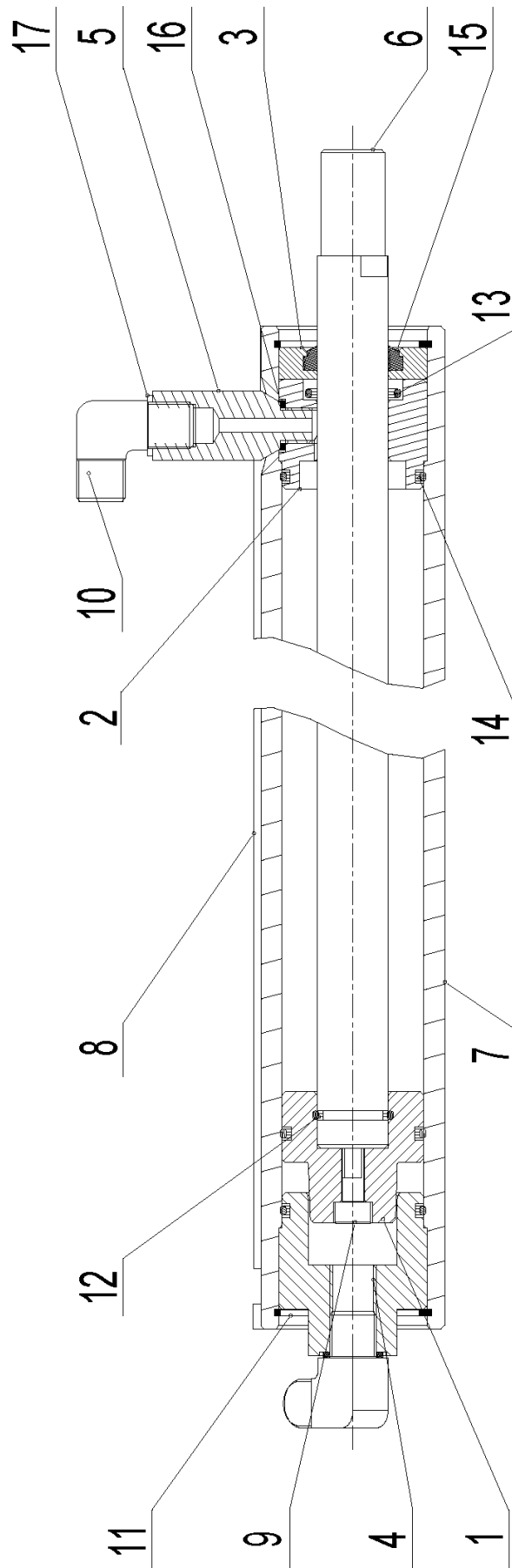
25.3. Podávací svěrák / Vorschubschraubstock / Feeding vice

Poz.	Objednáací číslo	Název položky	ks
Pos.	Bestell - Nr.	Bezeichnung	Menge
Pos.	Reference No.	Item	Pcs.
1		Upínací válec / Spannzyylinder / Clamping cylinder	1
2	30.2311-102	Vozík / Wagen / Carriage	1
3	30.2311-103	Deska vozíku / Platte / Plate	1
4	30.2311-105	Tyč / Stange / Rod	1
5	30.2311-111	Držák snímače / Halter / Holder	1
6	30.2311-112	Držák svěráku / Halter / Holder	1
7	201.2311-400	Čelist / Backe / Jaw	1
8	30.2911-029	Držák snímače / Halter / Holder	1
9	30.2911-030	Stěrač / Abstreifer / Scraper	2
10	90.001.25.023	Šroub / Schraube / Screw M6x50 DIN 912	2
11	90.001.25.034	Šroub / Schraube / Screw M8x30 DIN 912	2
12	90.001.25.036	Šroub / Schraube / Screw M8x40 DIN 912	2
13	90.001.25.076	Šroub / Schraube / Screw M6x18 DIN 912	1
14	91.172.001	Induktivní spínač / Induktiv. Schalter / Inductive switch BES M08MI	1
15	91.270.006	Senzor / Sensor / Sensor LMIX2-000-08.0-1-01	1
16	93.010.002	Šroub / Schraube / Screw G1/4"	1
17	94.008.006	Montážní páka / Hebel / Assembly lever M10x60	1
18	95.700.003	Pouzdro / Buchse / Bush 20x15	1
19	95.700.006	Pouzdro / Buchse / Bush KU 40x40	4
20	95.700.011	Pouzdro / Buchse / Bush KU 10x8	1
21	96.040.001	Stírací manžeta / Manschette / Sleeve 40x50	4
22	96.082.002	Těsnící kroužek / Dichtungsring / Sealing ring 13/17	2



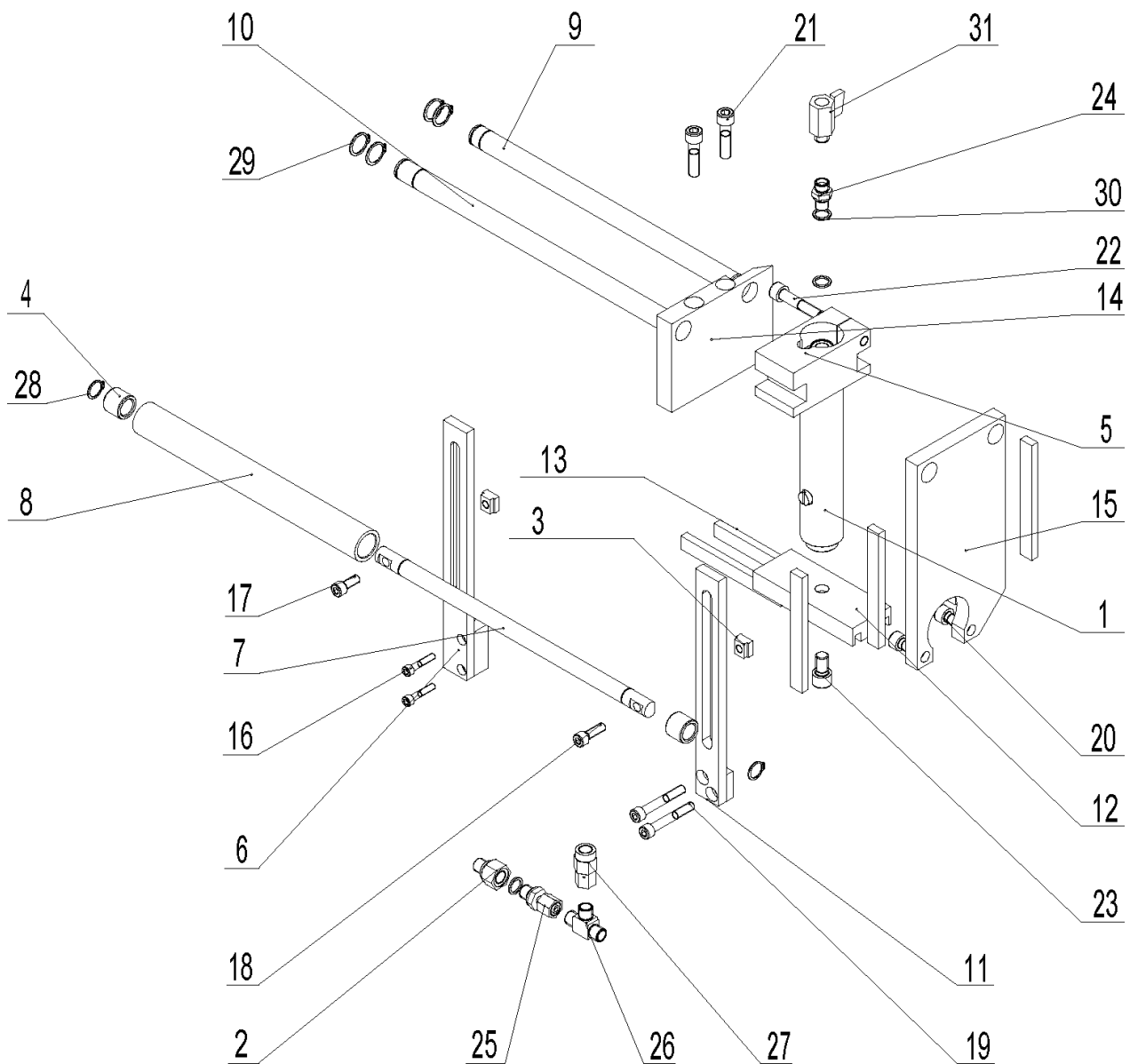
25.4. Upínací válec podávacího svěráku/ Spannzyylinder des Vorschubschraubstockes / Feeding vice clamping cylinder - 251.320

Poz.	Objednací číslo	Název položky	ks
Pos.	Bestell - Nr.	Bezeichnung	Menge
Pos.	Reference No.	Item	Pcs.
1	30.2107-203	Víko / Deckel / Cover	1
2	30.2107-204	Válec / Zylinder / Cylinder	1
3	30.2107-205	Narážka / Anschlag / Stop	1
4		Pružina / Feder / Spring	1
5		Čelist / Backe / Jaw	1
6	90.003.2D.001	Šroub / Schraube / Screw M5x6 DIN 914 45H	1
7	90.012.50.012	Šroub / Schraube / Screw M8x16 DIN 84	1
8	90.301.0Z.008	Válcový kolík / Zylinderstift / Parallel pin 8x20 DIN 7	1
9	90.301.0Z.017	Válcový kolík / Zylinderstift / Parallel pin 6x45 DIN 7	1
10	95.780.001	Vodící pásek / Führungsband / Guide band	1
11	95.801.006	Pojistný kroužek / Sicherungsring / Retaining ring Ø42 DIN 472	1
12	96.002.017	O-kroužek / O-Ring / O-ring 34x3	2



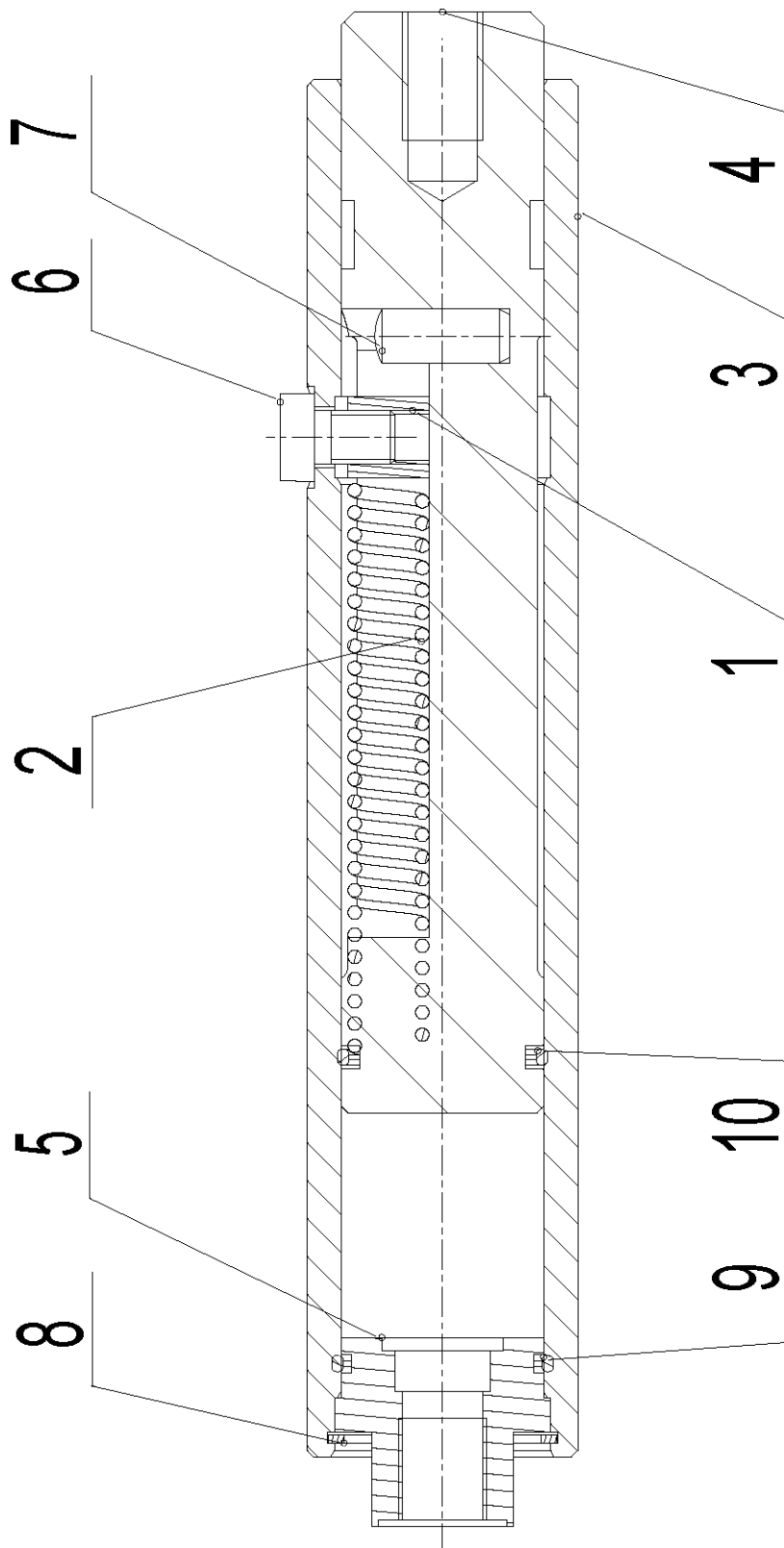
25.5. Podávací válec podávacího svěráku/ Vorschubzylinder des Vorschubschraubstockes / Feeding vice - feeding cylinder - 251.052

Poz.	Objednací číslo	Název položky	ks
Pos.	Bestell - Nr.	Bezeichnung	Menge
Pos.	Reference No.	Item	Pcs.
1	30.2107-001	Píst / Kolben / Piston	1
2	30.2107-002	Přívod / Zufuhr / Inlet	1
3	30.2107-003	Víko / Deckel / Cover	1
4	30.2107-004	Víko / Deckel / Cover	1
5	30.2111-011	Redukce / Reduktion / Reduction	1
6	30.2112-202	Pístnice / Kolbenstange / Piston rod	1
7	30.2112-504	Válec / Zylinder / Cylinder	1
8	30.2112-505	Hřeben / Kamm / Rack	1
9	90.001.25.019	Šroub / Schraube / Screw M6x25 DIN 912 8.8	1
10	92.004.001	Šroubení / Schraubung / Screwing	2
11	95.801.006	Pojistný kroužek / Sicherungsring / Retaining ring Ø42 DIN 472	2
12	96.002.007	O-kroužek / O-Ring / O-ring 16x2	1
13	96.002.010	O-kroužek / O-Ring / O-ring 20x3	1
14	96.002.017	O-kroužek / O-Ring / O-ring 34x3	3
15	96.060.002	Stírací kroužek / Abstreifring / Wiping ring 20x28	1
16	96.082.001	Těsnící kroužek / Dichtungsring / Sealing ring 10/14	1
17	96.082.002	Těsnící kroužek / Dichtungsring / Sealing ring 13/17	2



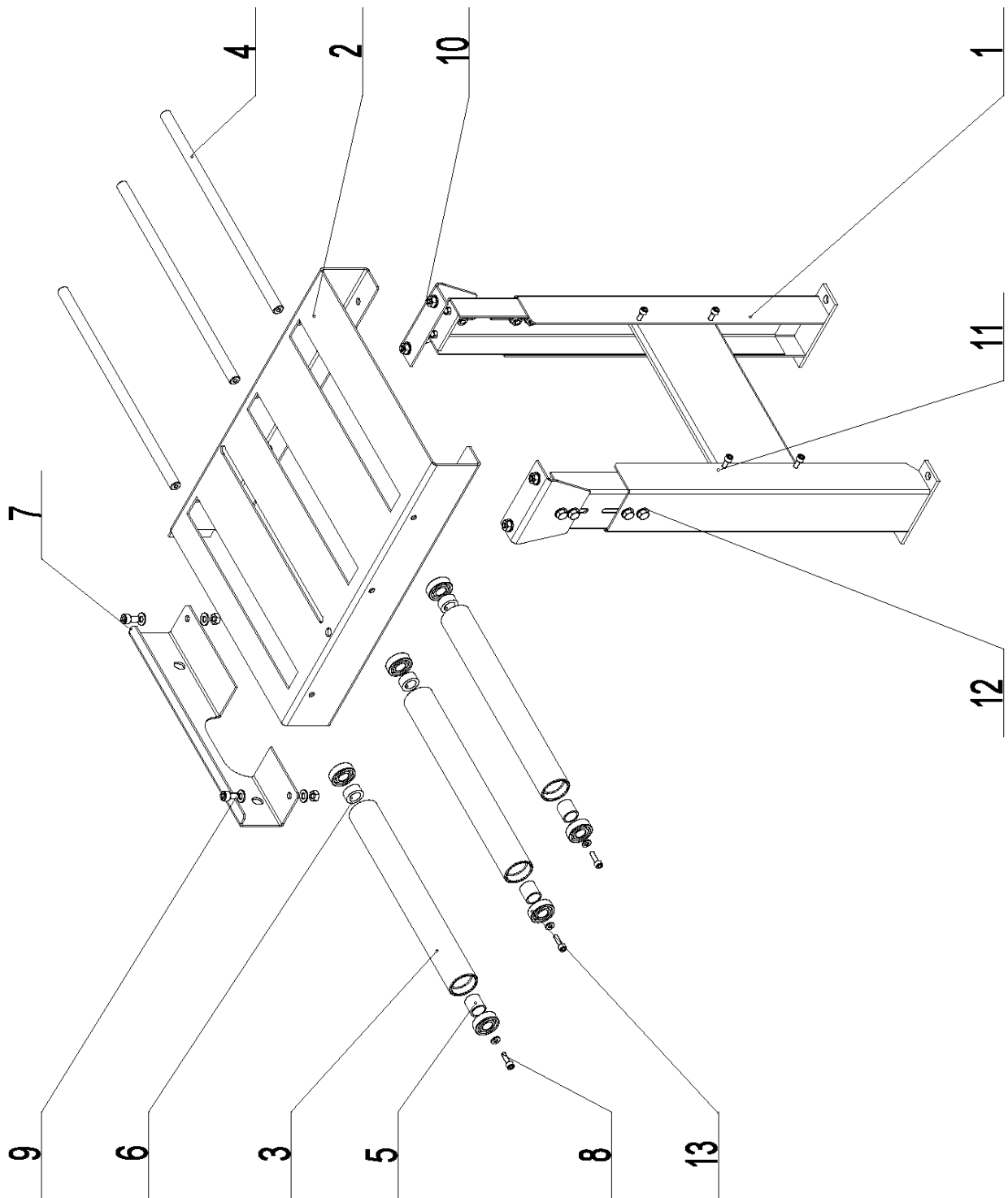
25.6. Horní upínání / Obere Spannung / Upper clamping - 271.070

Poz.	Objednací číslo	Název položky	ks
Pos.	Bestell - Nr.	Bezeichnung	Menge
Pos.	Reference No.	Item	Pcs.
1		Válec horního upínání / Bündelspannzylinder / Top clamping cylinder	1
2	30.1807-005	Šroubení / Schraubung / Screwing	1
3	30.2114-308	Matice / Mutter / Nut	2
4	30.2114-311	Pouzdro / Buchse / Bush	2
5	30.2114-315	Vedení / Führung / Guiding	1
6	30.2114-319	Vedení / Führung / Guiding	1
7	30.2314-001	Tyč / Stange / Rod	1
8	30.2314-002	Váleček / Rolle / Roller	1
9	30.2314-003	Tyč / Stange / Rod	1
10	30.2314-004	Tyč / Stange / Rod	1
11	30.2314-005	Vedení / Führung / Guiding	1
12	30.2314-006	Čelist upínače / Backe / Jaw	1
13	30.2314-007	Guma / Gummi / Rubber	6
14	30.2314-008	Nástavec čelisti / Backenaufsatz / Jaw extension	1
15	30.2314-009	Vodící deska / Führungsplatte / Guiding plate	1
16	90.001.25.020	Šroub / Schraube / Screw M6x30 DIN 912	2
17	90.001.25.032	Šroub / Schraube / Screw M8x20 DIN 912	1
18	90.001.25.033	Šroub / Schraube / Screw M8x25 DIN 912	1
19	90.001.25.039	Šroub / Schraube / Screw M8x55 DIN 912	2
20	90.001.25.047	Šroub / Schraube / Screw M10x25 DIN 912	2
21	90.001.25.050	Šroub / Schraube / Screw M10x40 DIN 912	2
22	90.001.25.052	Šroub / Schraube / Screw M10x50 DIN 912	1
23	90.001.25.056	Šroub / Schraube / Screw M12x20 DIN 912	1
24	92.002.001	Šroubení přímé / Gerade Verschraubung / Straight screwing GES 08LR	1
25	92.005.001	Šroubení přímé / Gerade Verschraubung / Straight screwing P-EGES 08LR-WD-SV	1
26	92.006.001	Propojka / Verbindungsstück / Jumper T TS 8L	1
27	92.015.001	Připojení manometru / Manometeranschluss / Manometer connection EMASD 8LR	1
28	95.800.007	Pojistný kroužek / Sicherungsring / Retaining ring Ø16 DIN 471	2
29	95.800.009	Pojistný kroužek / Sicherungsring / Retaining ring Ø20 DIN 471	4
30	96.082.002	Těsnicí kroužek / Dichtungsring / Sealing ring 13/17	3
31	99.260.001	Kulový ventil / Kugelventil / Spherical valve 1/4"	1



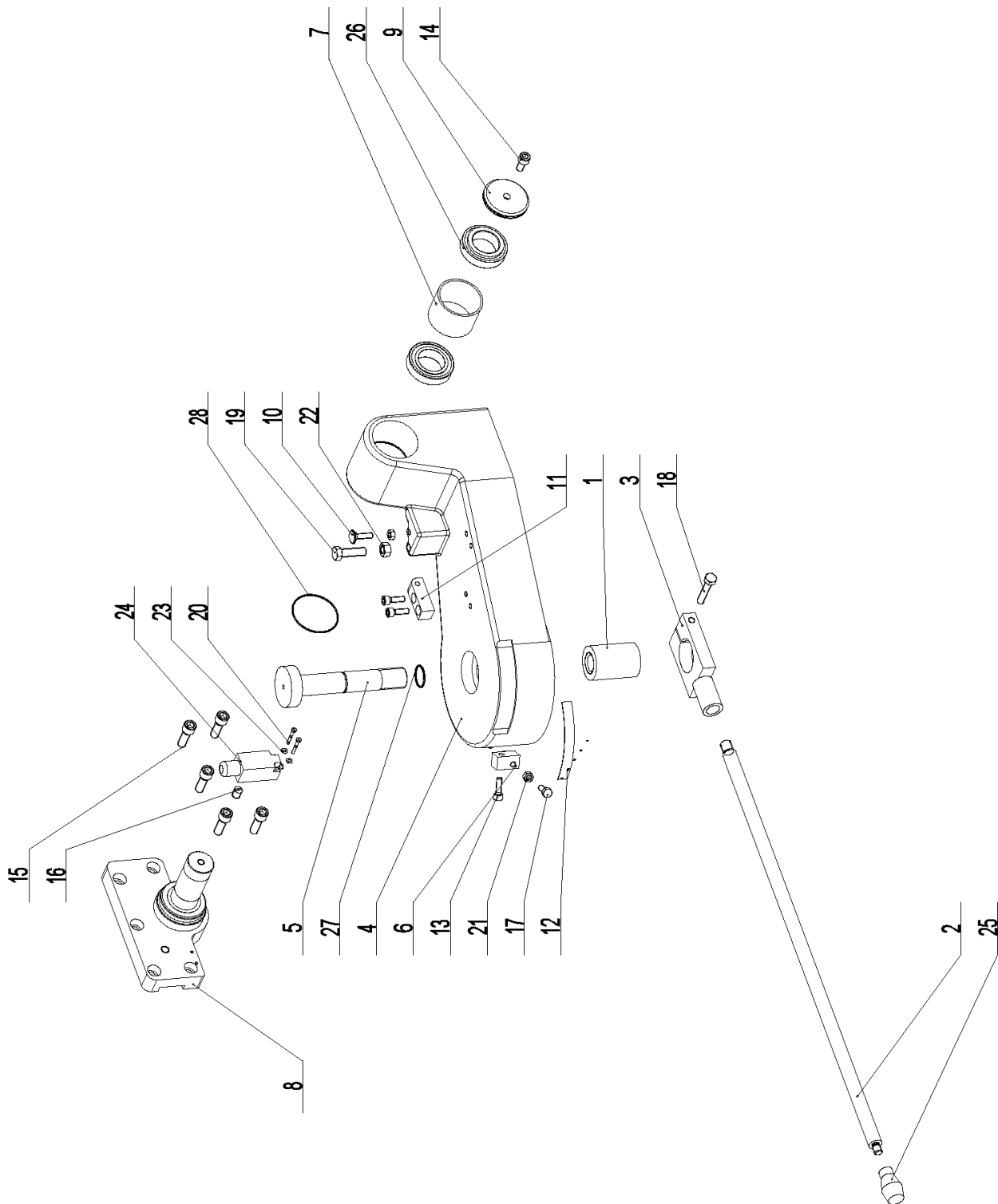
25.7. Upínací válec horního upínání / Spannzylinder der oberen Spannung / Upper clamping cylinder

Poz.	Objednací číslo	Název položky	ks
Pos.	Bestell - Nr.	Bezeichnung	Menge
Pos.	Reference No.	Item	Pcs.
1	30.2107-205	Narážka / Puffer / Stop	1
2	30.2107-206	Pružina / Feder / Spring	1
3	30.2114-316	Válec / Zylinder / Cylinder	1
4	30.2114-317	Pístnice / Kolbenstange / Piston rod	1
5	30.2114-318	Víko / Deckel / Cover	1
6	90.012.50.011	Šroub / Schraube / Screw M8x12 DIN 84 4.8	1
7	90.301.0Z.008	Válcový kolík / Zylinderstift / Parallel pin 8x20 DIN 7	1
8	95.801.003	Pojistný kroužek / Sicherungsring / Retaining ring Ø32 DIN 472	1
9	96.001.008	O-kroužek / O-Ring / O-ring 26x2	1
10	96.002.012	O-kroužek / O-Ring / O-ring 24x3	1



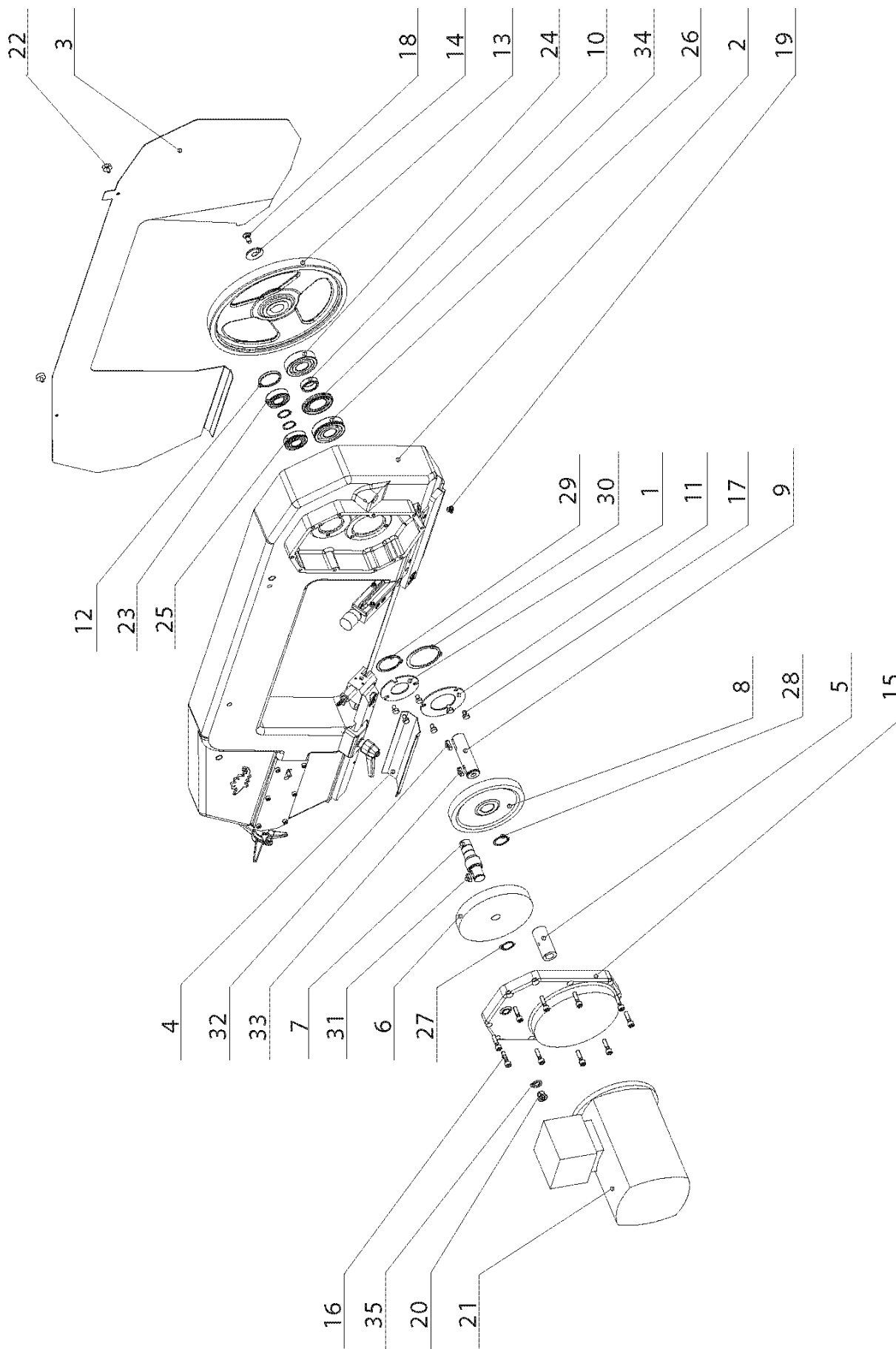
25.8. Válečková trať / Rollenbahn / Conveyor

Poz.	Objednací číslo	Název položky	ks
Pos.	Bestell - Nr.	Bezeichnung	Menge
Pos.	Reference No.	Item	Pcs.
1		Noha / Fuß / Leg	1
2	30.2312-211	Rám / Rahmen / Frame	1
3	30.2312-212	Váleček / Rolle / Roller	3
4	30.2312-213	Tyč / Stange / Rod	3
5	30.2312-214	Distanční kroužek / Distanzring / Distance ring	3
6	30.2312-215	Distanční kroužek / Distanzring / Distance ring	3
7	30.2312-216	Propojení / Verbindung / Connection	1
8	90.001.25.018	Šroub / Schraube / Screw M6x20 DIN 912	3
9	90.001.25.031	Šroub / Schraube / Screw M8x16 DIN 912	2
10	90.100.55.005	Matice / Mutter / Nut M8 DIN 934	2
11	90.150.50.004	Podložka / Scheibe / Washer Ø6,4 DIN 125	3
12	90.150.50.005	Podložka / Scheibe / Washer Ø8,4 DIN 125	4
13	95.001.015	Ložisko / Lager / Bearing 6202 2RS	6



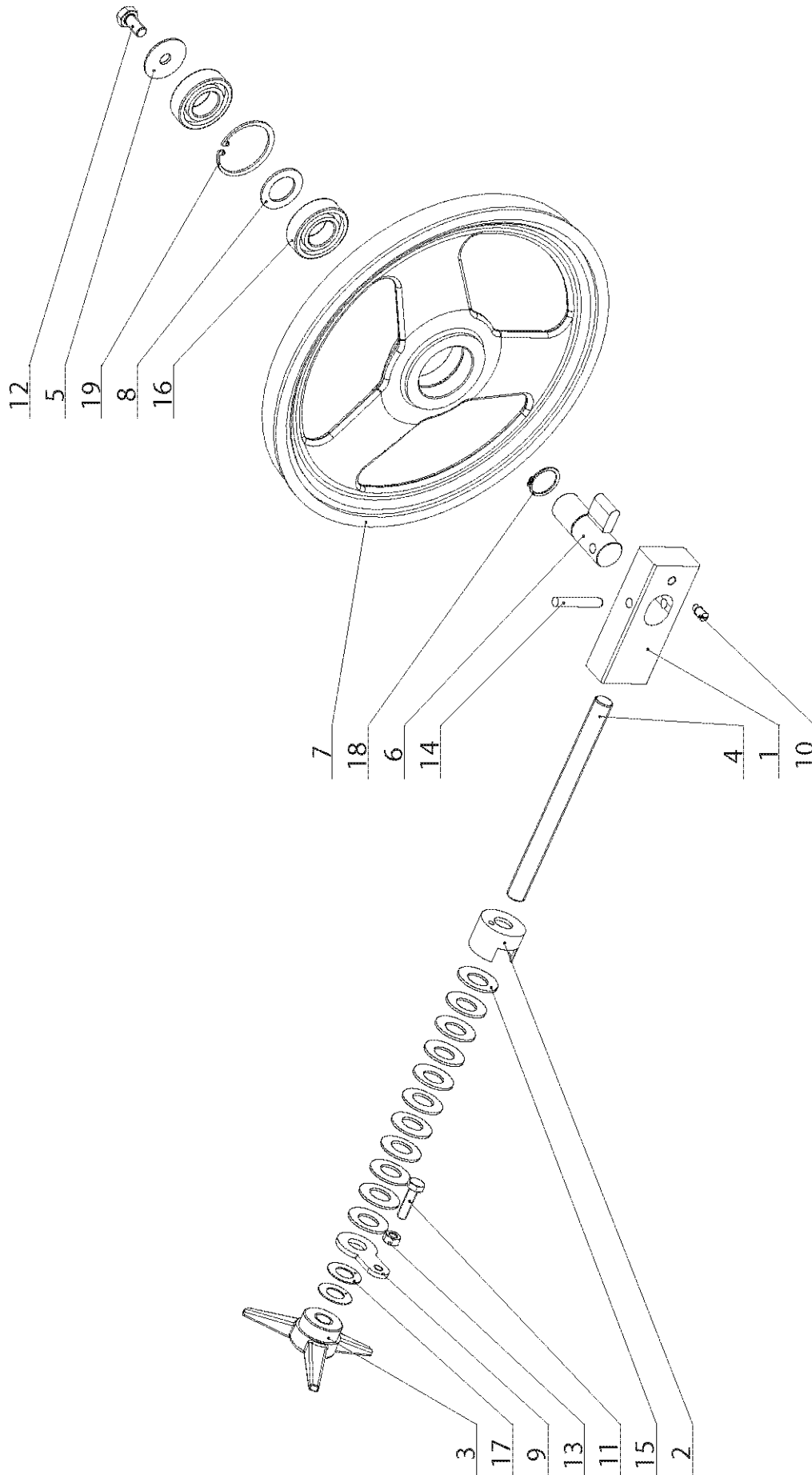
25.9. Otočná konzola / Gehrungskonsole / Turning console

Poz.	Objednací číslo	Název položky	ks
Pos.	Bestell - Nr.	Bezeichnung	Menge
Pos.	Reference No.	Item	Pcs.
1	30.0301-012	Matice / Mutter / Nut	1
2	30.0502-001	Tyč zpevnění / Stange / Hardening bar	1
3	30.0502-002	Držák páky / Hebelhalter / Lever holder	1
4	30.0702-001	Otočná konzola / Drehkonsole / Turning console	1
5	30.0702-002	Čep / Bolzen / Pivot	1
6	30.0702-006	Doraz / Anschlag / Length stop	2
7	30.0702-008	Pouzdro ložiska / Lagerbuchse / Bearing bush	1
8	30.0702-010	Držák ramene / Rahmenhalter / Arm holder	1
9	30.0702-012	Víko kloubu / Gelenkdeckel / Joint cover	1
10	30.0702-013	Šroub / Schraube / Screw	1
11	30.0707-011	Držák / Halterung / Holder	1
12	30.0702-011	Měřítko úhlu / Gehrungsskala / Angle scale	1
13	90.001.25.033	Šroub / Schraube / Screw M8x25 DIN 912	4
14	90.001.25.046	Šroub / Schraube / Screw M10x20 DIN 912	1
15	90.001.25.059	Šroub / Schraube / Screw M12x35 DIN 912	5
16	90.002.2D.017	Šroub / Schraube / Screw M12x16 DIN 913	1
17	90.005.55.015	Šroub / Schraube / Screw M8x20 DIN 933	3
18	90.005.55.028	Šroub / Schraube / Screw M10x50 DIN 933	1
19	90.005.55.034	Šroub / Schraube / Screw M12x40 DIN 933	1
20	90.012.50.007	Šroub / Schraube / Screw M4x30 DIN 84	2
21	90.100.55.005	Matice / Mutter / Nut M8 DIN 934	4
22	90.100.55.007	Matice / Mutter / Nut M12 DIN 934	1
23	90.150.50.002	Podložka / Scheibe / Washer Ø4,3 DIN 125	2
24	91.173.007	Koncový spínač / Endschalter / Limit switch	1
25	94.002.001	Rukojeť / Griff / Handle M12	1
26	95.300.002	Ložisko / Lager / Bearing 32008 AX	2
27	96.001.008	O kroužek / O Ring / O Ring 26x2	1
28	96.001.018	O kroužek / O Ring / O Ring 63x2	2



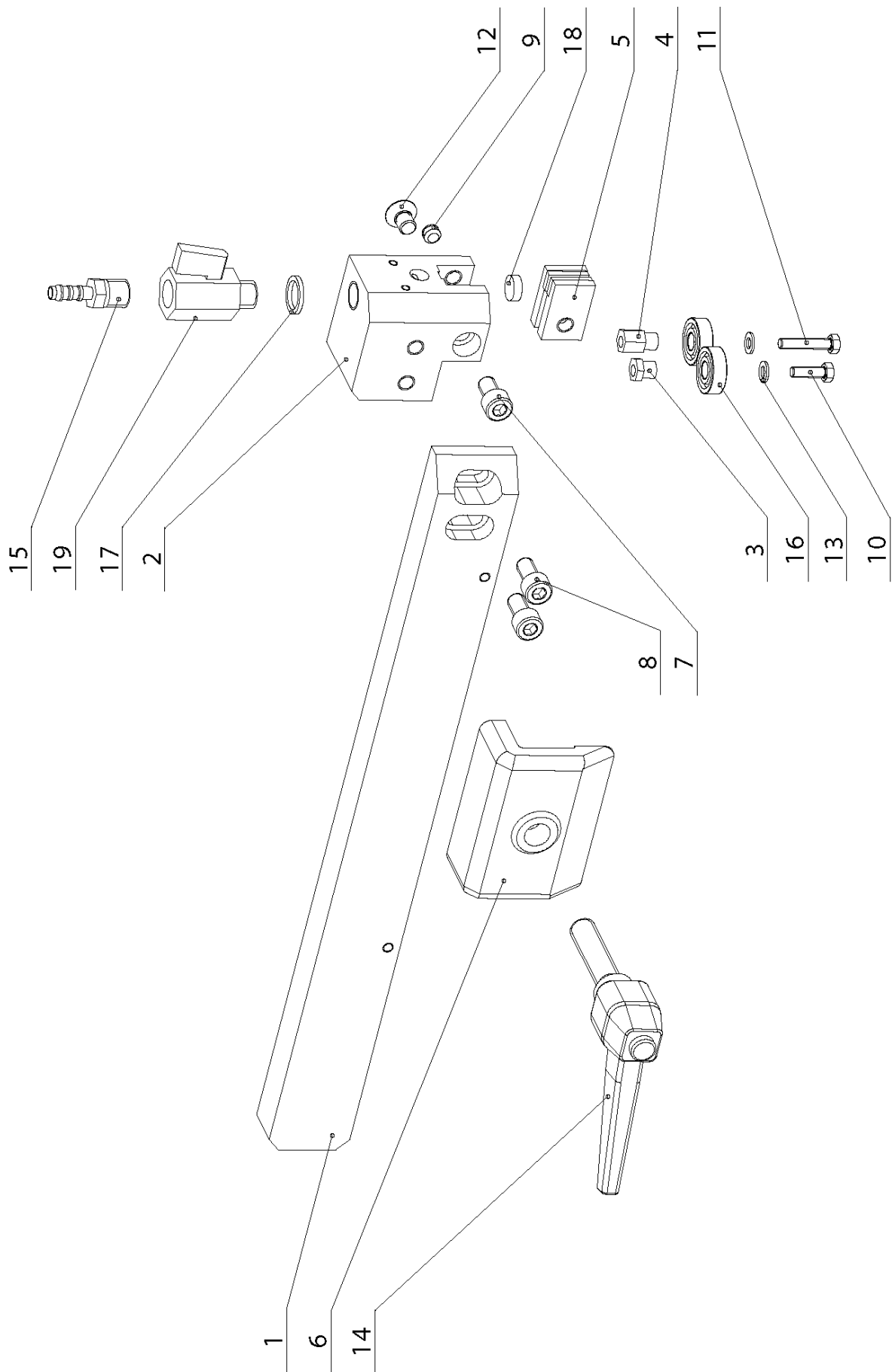
25.10. Pohon a kryty / Antrieb und Abdeckungen / Saw band drive and covers

Poz.	Objednací číslo	Název položky	ks
Pos.	Bestell - Nr.	Bezeichnung	Menge
Pos.	Reference No.	Item	Pcs.
1	30.0105-007	Upínací kroužek / Spannring / Clamping ring	1
2	30.0504-701	Rameno / Sägerahmen / Arm	1
3	30.0504-702	Kryt ramene / Deckel / Arm cover	1
4	30.0504-704	Kryt / Deckel / Cover	1
5	30.0505-002	Pastorek / Ritzel / Pinion	1
6	30.0505-003	Ozubené kolo / Zahnrad / Gear wheel	1
7	30.0505-004	Předloha / Vorgelege / Countershaft	1
8	30.0505-005	Ozubené kolo / Zahnrad / Gear wheel	1
9	30.0505-007	Hřídel / Welle / Shaft	1
10	30.0505-009	Kroužek / Ring / Ring	1
11	30.0505-010	Příložka / Lasche / Splice plate	1
12	30.0505-013	Zátka převodovky / Getriebestopfen / Gearbox plug	1
13	30.0505-701	Kolo hnací / Antriebsrad / Driving wheel	1
14	30.0508-002	Podložka / Scheibe / Washer	1
15	30.0705-001	Víko převodovky / Deckel / Gearbox cover	1
16	90.001.25.034	Šroub / Schraube / Screw M8x30 DIN 912	10
17	90.005.55.013	Šroub / Schraube / Screw M8x12 DIN 933	6
18	90.011.27.008	Šroub / Schraube / Screw M10x20 DIN 7991	1
19	90.400.5Z.001	Napouštěcí zátka / Verschlußschraube / Fill stopper 10x1 DIN 908	1
20	90.400.5Z.002	Napouštěcí zátka / Verschlußschraube / Fill stopper 16x1,5 DIN 908	1
21	91.001.007	Elektromotor / Elektromotor / Electromotor (TM) 90 2/4 B5	1
22	94.007.002	Šroub / Schraube / Screw M6x10	2
23	95.001.018	Ložisko / Lager / Bearing 2RS 6205	1
24	95.001.025	Ložisko / Lager / Bearing 2RS 6306	1
25	95.003.001	Ložisko / Lager / Bearing 2ZNR 6204	1
26	95.003.003	Ložisko / Lager / Bearing 2ZNR 6306	1
27	95.800.012	Pojistný kroužek / Sicherungsring / Retaining ring Ø25 DIN 471	3
28	95.800.013	Pojistný kroužek / Sicherungsring / Retaining ring Ø30 DIN 471	1
29	95.800.019	Pojistný kroužek / Sicherungsring / Retaining ring Ø52 DIN 471	1
30	95.800.XXX	Pojistný kroužek / Sicherungsring / Retaining ring Ø72 DIN 471	1
31	95.810.006	Pero těsné / Feder / False key 8x7x20	1
32	95.810.007	Pero těsné / Feder / False key 8x7x25	1
33	95.810.023	Pero těsné / Feder / False key 8x7x22 RZ	1
34	95.830.005	Hřídelové těsnění / Wellendichtung / Shaft seal 40x72x7	1
35	96.081.001	Těsnící kroužek / Dichtungsring / Sealing ring 23x15x3	1



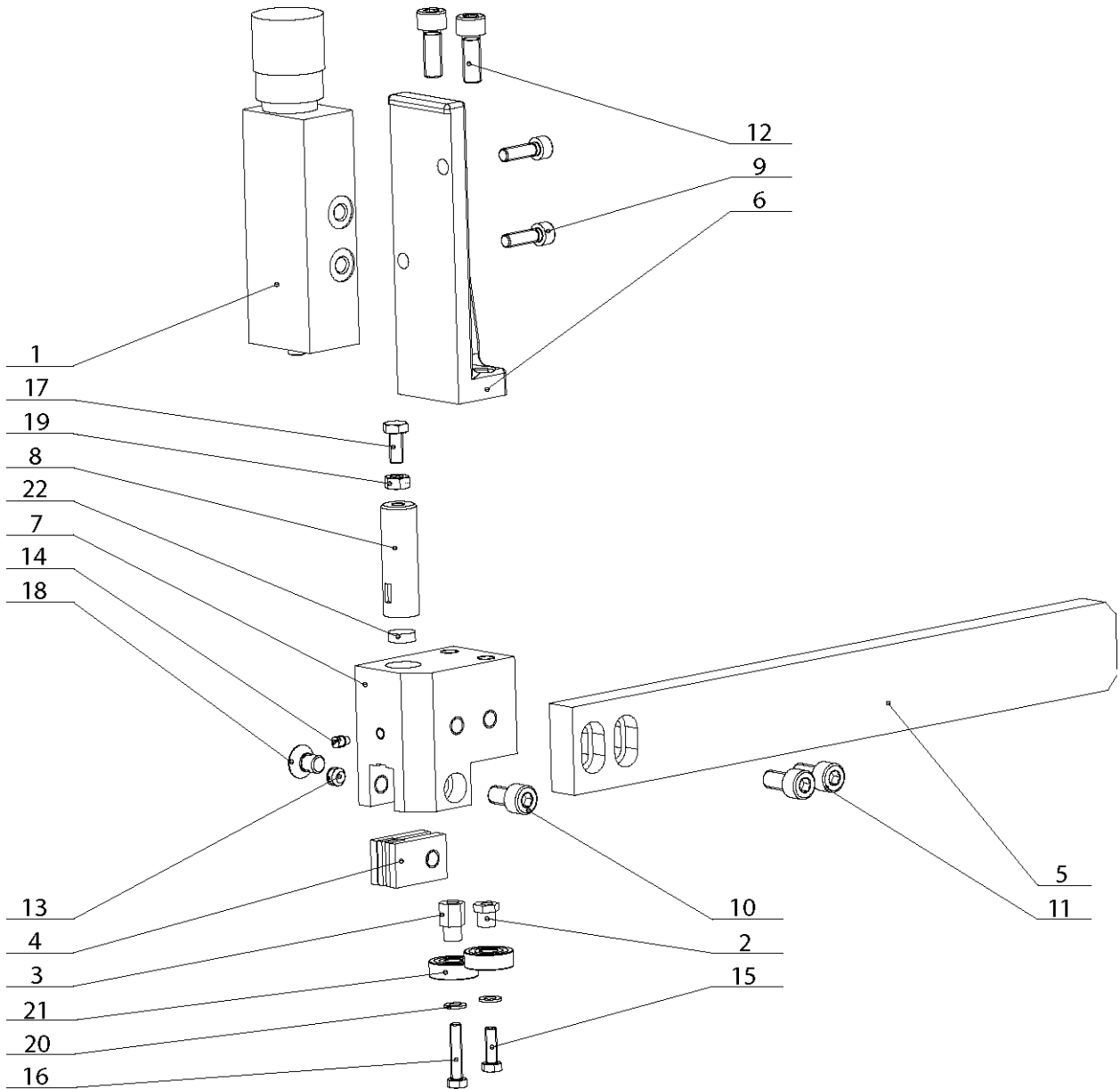
25.11. Napínání pilového pásu / Sägebandspannung / Saw band stretching

Poz.	Objednací číslo	Název položky	ks
Pos.	Bestell - Nr.	Bezeichnung	Menge
Pos.	Reference No.	Item	Pcs.
1	30.0104-002	Hranol / Prisma / Prism	1
2	30.0104-004	Držák pružiny / Federhalter / Spring holder	1
3	30.0104-006	Hvězdice / Stern / Star	1
4	30.0303-005	Šroub / Schraube / Screw	1
5	30.0505-011	Podložka / Scheibe / Washer	1
6	30.0508-004	Čep napínání / Spannungsbolzen / Stretching pivot	1
7	30.0508-701	Kolo napínací / Umlenkrad / Stretching wheel	1
8	30.0702-023	Kroužek distanční / Distanzring / Distance ring	1
9	30.0704-025	Příložka / Lasche / Splice plate	1
10	90.004.2D.008	Šroub / Schraube / Screw M8x16 DIN 915	1
11	90.005.55.017	Šroub / Schraube / Screw M8x30 DIN 933	1
12	90.005.55.023	Šroub / Schraube / Screw M10x20 DIN 933	1
13	90.100.55.005	Matice / Mutter / Nut M8 DIN 934	1
14	90.300.0Z.012	Válcový kolík / Zylinderstift / Cylindrical pin 8x50 DIN 6325	1
15	90.350.0Z.002	Talířová pružina / Tellerfeder / Belleville spring 35.5x18.3x2.0x2.8	11
16	95.001.018	Ložisko / Lager / Bearing 2RS 6205	2
17	95.750.001	Kroužek / Ring / Ring KU 16x1	2
18	95.800.012	Pojistný kroužek / Sicherungsring / Retaining ring Ø25 DIN 471	1
19	95.801.009	Pojistný kroužek / Sicherungsring / Retaining ring Ø52 DIN 472	1



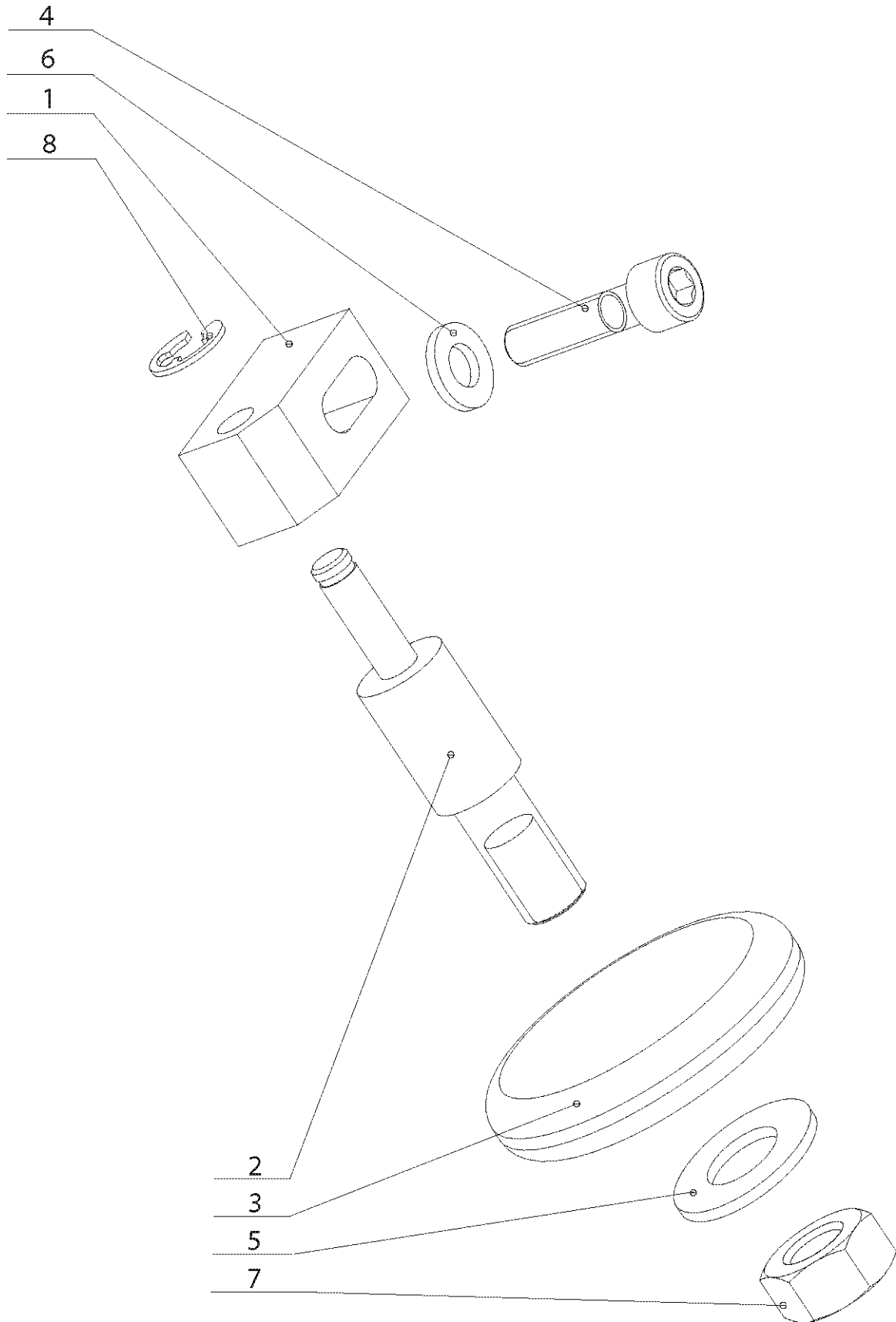
25.12. Levá vodící kostka / Linker Führungsklotz / Left guiding cube

Poz.	Objednací číslo	Název položky	ks
Pos.	Bestell - Nr.	Bezeichnung	Menge
Pos.	Reference No.	Item	Pcs.
1	30.0104-015	Levá lišta / Linke Leiste / Left listel	1
2	30.0104-017	Levá vodící kostka / Linker Führungsklotz / Left guiding cube	1
3	30.0104-018	Excentr malý / Kleiner Exzenter / Small excenter	1
4	30.0104-019	Excentr velký / Großer Exzenter / Large excenter	1
5	30.0104-020	Držák tvrdokovu / HM-Halterung / HM holder	2
6	30.0704-010	Upínka / Spanneisen / Clamp	1
7	90.001.25.030	Šroub / Schraube / Screw M8x14 DIN 912	1
8	90.001.25.031	Šroub / Schraube / Screw M8x16 DIN 912	2
9	90.002.2D.009	Šroub / Schraube / Screw M8x6 DIN 913	1
10	90.005.55.003	Šroub / Schraube / Screw M5x16 DIN 933	1
11	90.005.55.005	Šroub / Schraube / Screw M5x25 DIN 933	1
12	90.011.27.007	Šroub / Schraube / Screw M8x12 DIN 7991	1
13	90.150.50.003	Podložka / Scheibe / Washer Ø5,3 DIN 125	2
14	94.008.009	Páka / Hebel / Lever M12x50	1
15	94.202.002	Redukce / Reduktion / Reduction 1/4"-6	1
16	95.001.001	Ložisko / Lager / Bearing 2RS 608	2
17	96.080.001	Těsnící kroužek / Dichtungsring / Sealing ring 17.8x13.5x2	1
18	99.040.002	Tvrdokov / HM-Segment / Hardmetal 12x4	1
19	99.260.001	Kulový ventil / Kugelventil / Spherical valve 1/4"	1



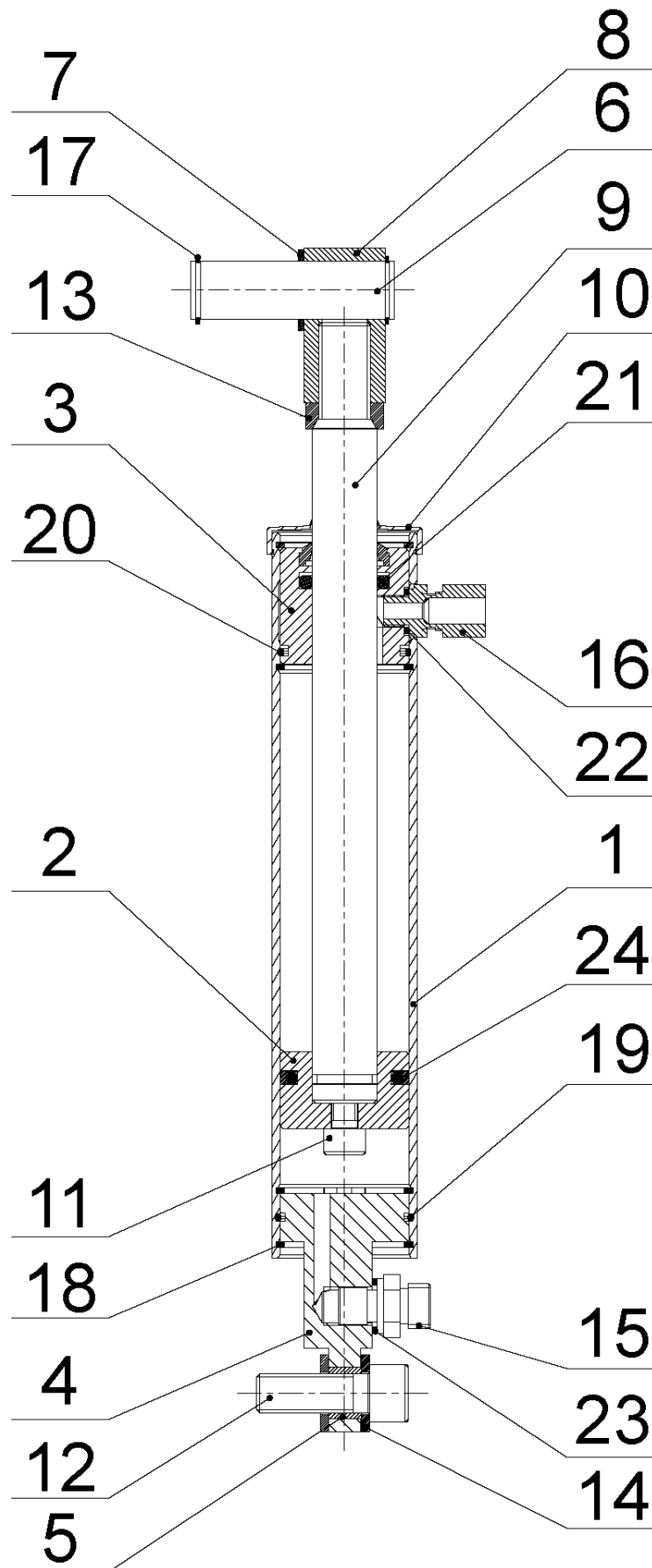
25.13. Pravá vodící kostka / Rechter Führungsklotz / Right guiding cube

Poz.	Objednací číslo	Název položky	ks
Pos.	Bestell - Nr.	Bezeichnung	Menge
Pos.	Reference No.	Item	Pcs.
1	251.218	Regulace přítlaku / Schnittdruckregulierung / Cutting pressure regulation	1
2	30.0104-018	Excentr malý / Kleiner Exzenter / Small excenter	2
3	30.0104-019	Excentr velký / Großer Exzenter / Large excenter	2
4	30.0104-020	Tvrdokov / HM-Segment / Hardmetal	4
5	30.0704-014	Lišta pravá / Rechte Leiste / Right listel	1
6	30.2804-001	Držák / Halter / Holder	1
7	30.2804-002	Pravá vodící kostka / Rechter Führungsklotz / Right guiding cube	1
8	30.3510-002	Držák tvrdokovu / HM-Halter / HM holder	1
9	90.001.25.018	Šroub / Schraube / Screw M6x20 DIN 912	2
10	90.001.25.030	Šroub / Schraube / Screw M8x14 DIN 912	1
11	90.001.25.031	Šroub / Schraube / Screw M8x16 DIN 912	2
12	90.001.25.104	Šroub / Schraube / Screw M8x22 DIN 912	2
13	90.002.2D.009	Šroub / Schraube / Screw M8x6 DIN 913	1
14	90.004.2D.0XX	Šroub / Schraube / Screw M? DIN 915	1
15	90.005.55.003	Šroub / Schraube / Screw M5x16 DIN 933	1
16	90.005.55.005	Šroub / Schraube / Screw M5x25 DIN 933	1
17	90.005.55.XXX	Šroub / Schraube / Screw M6x14 DIN 933	1
18	90.011.27.007	Šroub / Schraube / Screw M8x12 DIN 7991	1
19	90.100.55.004	Matice / Mutter / Nut M6 DIN 934	1
20	90.150.50.003	Podložka / Scheibe / Washer Ø5,3 DIN 125	2
21	95.001.001	Ložisko / Lager / Bearing 2RS 608	4
22	99.040.002	Tvrdokov / HM-Segment / Hardmetal	1



25.14. Kartáček / Spänbürste / Brush

Poz.	Objednací číslo	Název položky	ks
Pos.	Bestell - Nr.	Bezeichnung	Menge
Pos.	Reference No.	Item	Pcs.
1	30.0104-022	Držák kartáčku / Bürstenhalter / Brush holder	1
2	30.0704-029	Hřídel kartáčku / Bürstenwelle / Brush shaft	1
3	31.0704-031	Kartáček / Spänebürste / Brush	1
4	90.001.25.019	Šroub / Schraube / Screw M6x25 DIN 912	1
5	90.100.55.006	Matice / Mutter / Nut M10 DIN 934	1
6	90.150.50.004	Podložka / Scheibe / Washer Ø6,4 DIN 125	1
7	90.150.50.006	Podložka / Scheibe / Washer Ø10,5 DIN 125	1
8	95.800.001	Pojistný kroužek / Sicherungsring / Retaining ring Ø6 DIN 471	1



25.15. Zvedací válec / Hubzylinder / Lifting cylinder – 251.231

Poz.	Objednací číslo	Název položky	ks
Pos.	Bestell - Nr.	Bezeichnung	Menge
Pos.	Reference No.	Item	Pcs.
1	30.0507-901	Válec / Zylinder / Cylinder	1
2	30.0507-902	Píst / Kolben / Piston	1
3	30.0507-903	Horní víko / Deckel / Upper cover	1
4	30.0507-911	Držák / Halterung / Holder	1
5	30.0507-913	Pouzdro / Buchse / Bush	1
6	30.0514-904	Čep / Bolzen / Pivot	1
7	30.0514-905	Distanční kroužek / Distanzring / Distance ring	1
8	30.0807-006	Držák pístnice / Halter / Piston rod holder	1
9	30.2807-003	Pístnice / Kolbenstange / Piston rod	1
10	31.0507-905	Víko / Deckel / Cover	1
11	90.001.25.032	Šroub / Schraube / Screw 8x20 DIN 912 8.8	1
12	90.001.25.059	Šroub / Schraube / Screw 12x35 DIN 912 8.8	1
13	90.101.55.003	Matice / Mutter / Nut M16 DIN 439 8.8	1
14	90.150.50.007	Podložka / Scheibe / Washer d13 DIN 125	2
15	92.002.001	Šroubení přímé / Gerade Verschraubung / Straight screwing	1
16	92.002.102	Šroubení přímé / Gerade Verschraubung / Straight screwing	1
17	95.800.008	Pojistný kroužek / Sicherungsring / Retaining ring d18 DIN 471	2
18	95.801.005	Pojistný kroužek / Sicherungsring / Retaining ring d40 DIN 472	4
19	96.001.010	O kroužek / O Ring / O Ring 36x2	1
20	96.002.017	O kroužek / O Ring / O Ring 34x3	1
21	96.041.002	Těsnící manžeta / Dichtungsmanschette / Gasket 20x28x5 UN	1
22	96.082.001	Těsnící kroužek / Dichtungsring / Gasket ring 10/14	1
23	96.082.002	Těsnící kroužek / Dichtungsring / Gasket ring 13/17	1
24	96.900.002	Těsnění / Dichtung / Seal 40x29x4	1