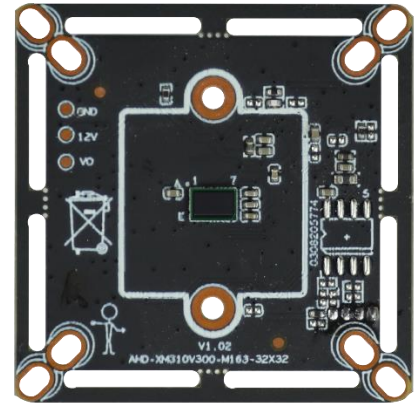


**XAG-53XA20PTA-HR**

1080P Analog Video Camera Module

**Key features:**

- 1080P high resolution, 3D noise reduction, the image is more clear and delicate;
- Zero-latency data transmission, full real-time, high fidelity;
- Long transmission distance, coaxial transmission up to 500 meters;
- Support UTC, enable OSD by the back-end;
- Support coaxial upgrade, version upgrade convenient and efficient;
- Compatible with AHD/TVI/CVI backend;
- Support XVI, image quality is better;
- NTSC&PAL 2 in 1, easy to switch through back-end;
- High-definition quality products with competitive price;
- infrared/white light dual-light intelligent switching

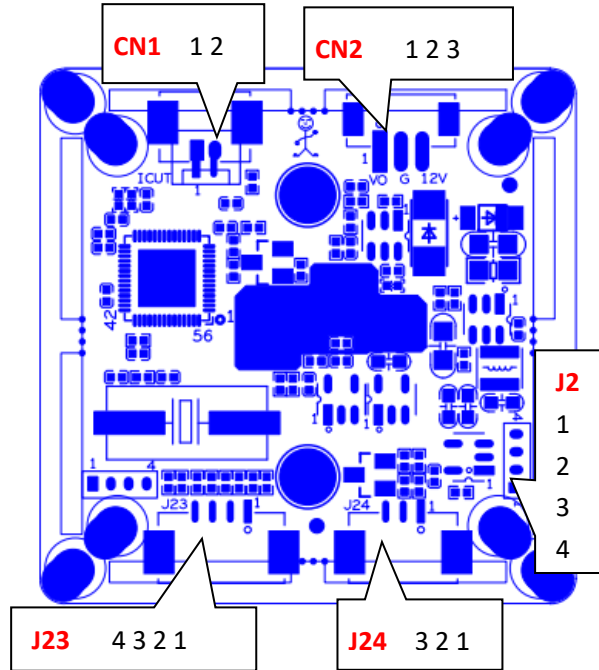


**Model:**

XAG-53XA20PTA-HR

**Parameters:**

Specifications	XAG-53XA20PTA-HR
ISP	XM330V300
Sensor	1/3 inch F37P sensor
Signal format	XVI/AHD/TVI/CVI
Video Resolution	PAL/NTSC :1920*1080
Minimum Illumination	color: 0.01Lux@ (F1.2, AGC ON) , 0Lux with IR
	Black & White: 0.001Lux@ (F1.2, AGC ON) , 0Lux with IR
Photosensitive Resistance	1 photosensitive resistance interface, support the photosensitive resistor input
Shutter	1/50(1/60) seconds to 1/10,000 seconds
Day and Night Function	Support IR-CUT
Lens Parameters	C/CS interface, M12 lens optional
Video output	1080P@25fps
Power	DC12V±10%
Temperature and Humidity	- 10 °C ~ 60 °C, humidity is less than 90% (no condensation)
Consumption	<5W
Size	Standard 32*32 positioning hole, compatible with 38*38 hole
Remarks	Support UTC, coaxial upgrade



Socket	Specific No.	Interface Description	Function
CN2	1	CVBS	Video out
	2	GND	GND
	3	+ 12V	12V DC input
CN1	1	ICUT_A	IRCUT
	2	ICUT_B	
J23	1	GND	GND
	2	CVI	CVI
	3	WL_N_P	White light CTRL
	4	TVI	TVI
J24	1	ADC1VIN	Control light panel
	2	GND	
	3	NC	
J2	1	IR_PIR	PIR signal input
	2	GND	Ground
	3	3.3V	3.3V input
	4	GND	Ground