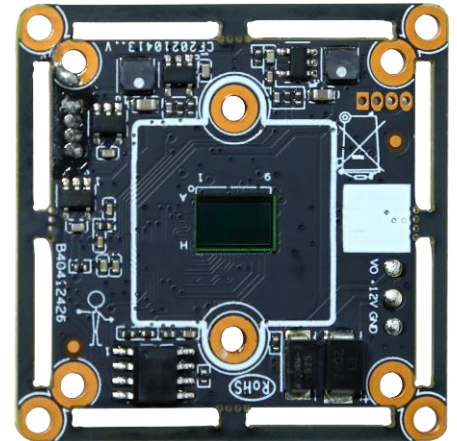


XAG-53X80PTA-Y

8MP Low Illumination Analog Video Camera Module

Key features:

- 8MP FHD resolution, the image is more clear and delicate;
- Zero-latency data transmission, full real-time, high fidelity;
- Long transmission distance, coaxial transmission up to 500 meters;
- Support UTC, enable OSD by the back-end;
- Support coaxial upgrade, version upgrade convenient and efficient;
- Support XVI/AHD DVR;
- NTSC&PAL 2 in 1, easy to switch through back-end;
- High-definition quality products with competitive price.

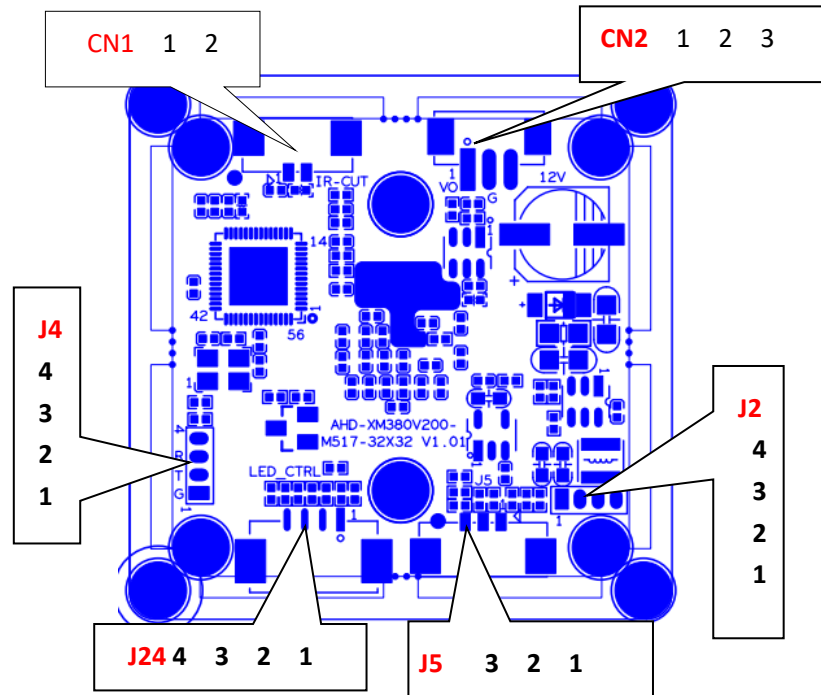

Model:

XAG-53X80PTA-Y

Parameters:

Specifications	XAG-53X80PTA-Y
ISP	XM380V200
Sensor	1/2.5 inch K17 CMOS sensor
Signal format	XVI/AHD/TVI
Video Resolution	PAL/NTSC : 3840*2160
Minimum Illumination	color: 0.01Lux@ (F1.2, AGC ON) , 0Lux with IR
	Black & White: 0.001Lux@ (F1.2, AGC ON) , 0Lux with IR
Photosensitive Resistance	1 photosensitive resistance interface, support the photosensitive resistor input signal and image, IR-CUT, infrared lamp linkage
Shutter	1/50(1/60) seconds to 1/10,000 seconds
Day and Night Function	Support IR-CUT
Lens Parameters	C/CS interface, M12 lens optional
Video output	XVI/AHD/TVI@8MP
Power	DC12V±10%
Temperature and Humidity	- 10 °C ~ 60 °C, humidity is less than 90% (no condensation)
Consumption	<5W
Size	Standard 32*32 positioning hole, compatible with 38*38 hole
Remarks	Support UTC,coaxial upgrade

AHD-XM380V200-M517-32X32-V1_01



Detailed Definition:

Socket	Specific No.	Interface Description	Function
J24	1	GND	Ground
	2	ADC2VIN	System Switch
	3	MODE_N/P	N/P Switch
	4	ADC2VIN	System Switch
CN1	1	DRIOUT1	IRCUT
	2	DRIOUT2	
J5	1	ADC1VIN	White light signal
	2	GND	Ground
	3	LED1	Infrared drive signal
CN2	1	CVBS	Video out
	2	GND	Ground
	3	+12V	12V input
J4	1	GND	
	2	UART0_TXD	
	3	UART0_RXD	
	4	SWITCH_PROG	
J2	1	ALARM_IN1	Alarm input/Infrared signal
	2	GND	Ground
	3	3.3V	3.3V
	4	GND	Ground