

SD-MN5113M-X18R
1.3 M CMOS IR Dome Camera



Features:

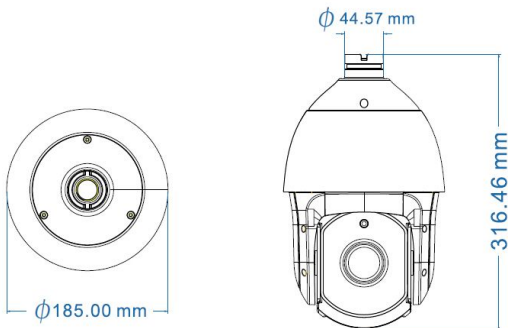
- HD 960P resolution; image clarity and detail;
- Support IR-CUT, to achieve day and night surveillance;
- support three-dimensional intelligent positioning function, enable tracking and enlarge by clicking;
- Advanced video compression technology, ultra-low bit-rate high-definition picture quality;
- Support several kinds of phone remote monitoring (iOS, Android);
- Supports multiple browser access (IE、Chrome、Firefox、Safari);
- Automatic electronic shutter function, adapt to Scenarios different environmental monitoring;
- Support ONVIF standard;
- Supporting web, CMS, center platform management software MYEYE, provide SDK development;

For occasions:

Need to be applied to a wide range of monitoring indoor places such as corridors aisle, large venues, conference rooms, waiting rooms and other indoor places.

Model: SD-MN5113M-X18R

Dimensions:



Parameters:

Model	SD-MN5113M-X18R
Camera	
Image Sensor	1/3" low illumination AR0130 CMOS
Video Format	PAL/NTSC
Image Resolution	Main stream:1280*960,1280*720;Sub-stream (D1)
Lowest Illumination	Color 0.2Lux @(F1.6,AGC ON),0 LUX with IR ON B&W 0.1 Lux @(F1.2,AGC ON),0 LUX with IR ON
Wide Dynamic	Digital Wide Dynamic
DNR	2D/3D Noise Reduction
Electronic Shutter	1/25 - 1/10,000s
Day and Night Mode	Support IR-CUT
Lens	
Focal length	4.7mm~ 84.64mm (F1.6~F3.6)
Optical magnification	18X
Functions	
IR distance	120m
Rotation range	Horizontal: 0 °~ 360 °continuous rotation; Vertical: -15 °~ 90 °continuous monitoring after auto flip 180 °
Preset point	255
Automatic mode	Preset point/preset point cruise/horizontal scan/auto scan/path/random scan
PTZ function	Support the turn-on movement, support power memory function
Network protocol	TCP/IP, HTTP, DDNS, DHCP, NTP, PPPoE, FTP,SMTP,RTSP,RTP
Storage function	Network storage, support for microSD card storage(optional)
Input / Output	
Network Interface	1* RJ45 10M/100M adaptive Ethernet port
Power	DC 12V±10% / 4A; power consumption≤35W
General Specifications	
Work Environment	Temperature -30~65℃; Humidity <90% RH
Protection class	IP66 full dustproof,waterproof,4000V anti-lightning protection, and anti-surge protection,
Dimension	Φ185mm*316.5mm
Weight	About 2.6Kg