

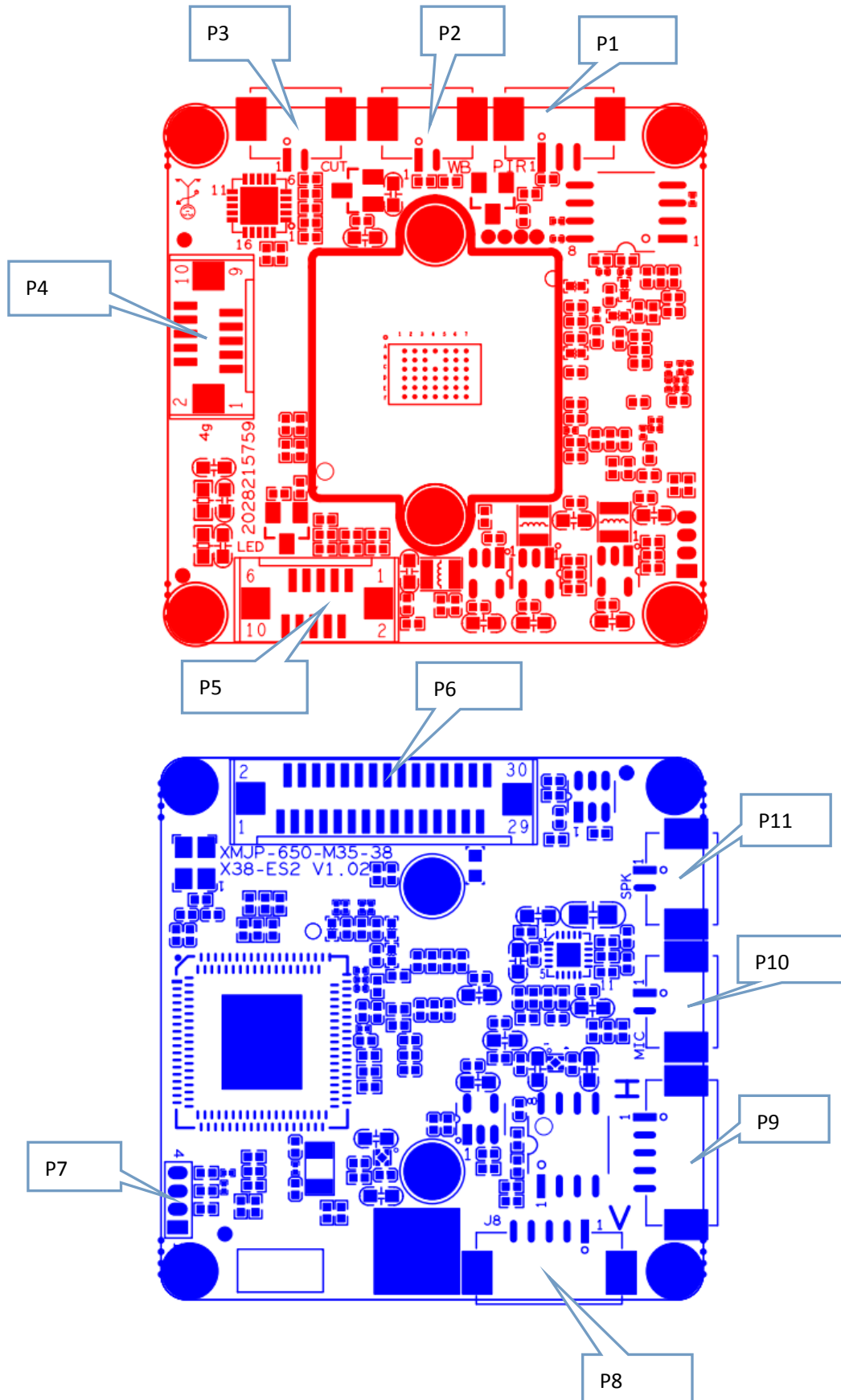
LPG-X3-4GQEU
3MP 4G Solar Dome Camera module
Features:

- 3MP resolution, clear and delicate image
- Support PIR human infrared sensing and microwave dual detection
- Support app remote wake-up
- DC5V power supply ; Support solar power supply duration (need external solar power panel)
- Support European 4G network connection
- Support 2D/3D noise reduction,digital wide dynamic;
- Advanced H.265X video compression,Super low rate,high definition quality of image;
- Professional anti-lightning,conform to GB/T17626.5 and IEC61000-4-5。
- Support mobile phone monitoring(iOS, Android);
- Support cloud technology,easy to achieve network penetration,fro in-line and alarm information pushed


Parameters:

Model	LPG-X3-4GQEU
System structure	dual-core 32-bit DSP (XM650) ,pure hard compression ,watch dog
Sensor	3MP 1/2.8" SC3335 CMOS sensor
Video compression	H.265X coding,support dual stream,AVI;0.1M~8Mbps variable
Min.Illumination	Color: 0.01Lux @(F1.2,AGC ON); 0 Lux with IR Black/White: 0.001 Lux @ (F1.2,AGC ON),0 Lux with IR
Image output	Main stream: 2288*1288@12fps; sub-stream: 640*360@12fps
Shutter	1/50(1/60)s to 1/10,000s
Lens	N/A
Day and night	Support IR-CUT
Noise reduction	Support 2D/3D
Wide dynamic	Support
Auto iris	N/A
Audio compression	G.711 standard compression,support two-way Bidirectional Talk,support for audio and video synchronization
Audio interface	1ch input,level:2Vp-p,impedance:1kΩ,support sound pick-up input;1ch output,impedance:16Ω,30mw,support microphone;
Network interface	N/A
Extension interface	N/A
Singal interface	one IR-CUT interface
PTZ interface	One horizontal motor interface, one vertical electrical interface
Alarm I/O	N/A
Network interface	Support European 4G network connection
Reset interface	Support
Storage mode	Local TF card storage, up to 128G; cloud storage
Reliability	Comprehensive lightning protection, 7 * 24 hours 65 °C high temperature stable and reliable testing
Intelligence analysis	Support PIR human infrared sensing and microwave dual detection and customizing other intelligent functions
Other function	Support cloud technology,easy to achieve network penetration,fro in-line and alarm information pushed
ONVIF	N/A
Mobile monitoring	Support multiple mobile monitoring (iOS, Android)
Power	DC5V±10%
Dimension	38mm*38mm+47mm*39mm

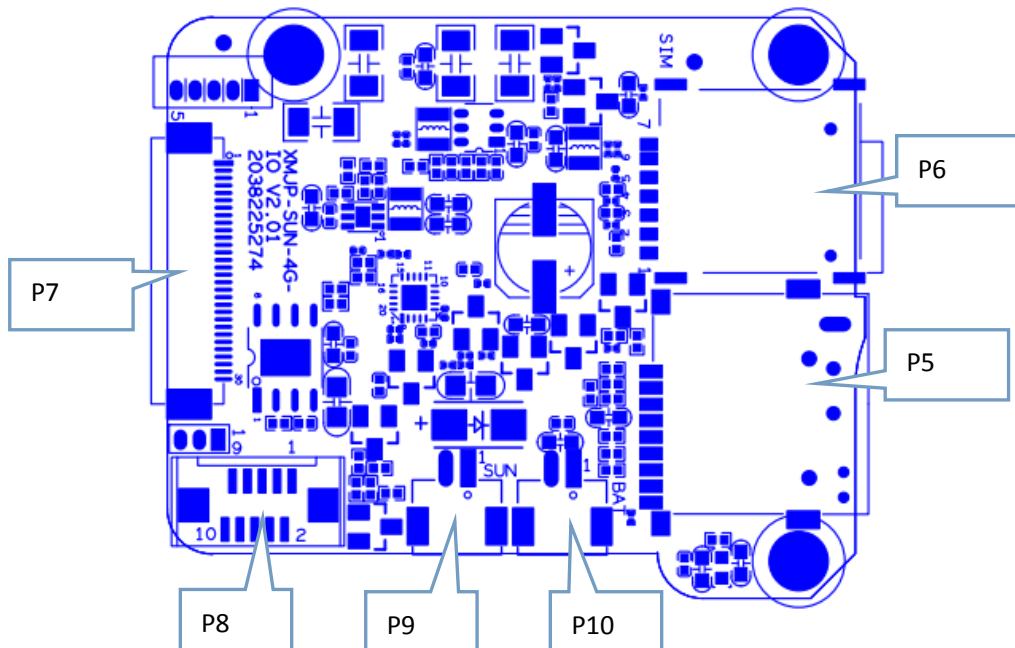
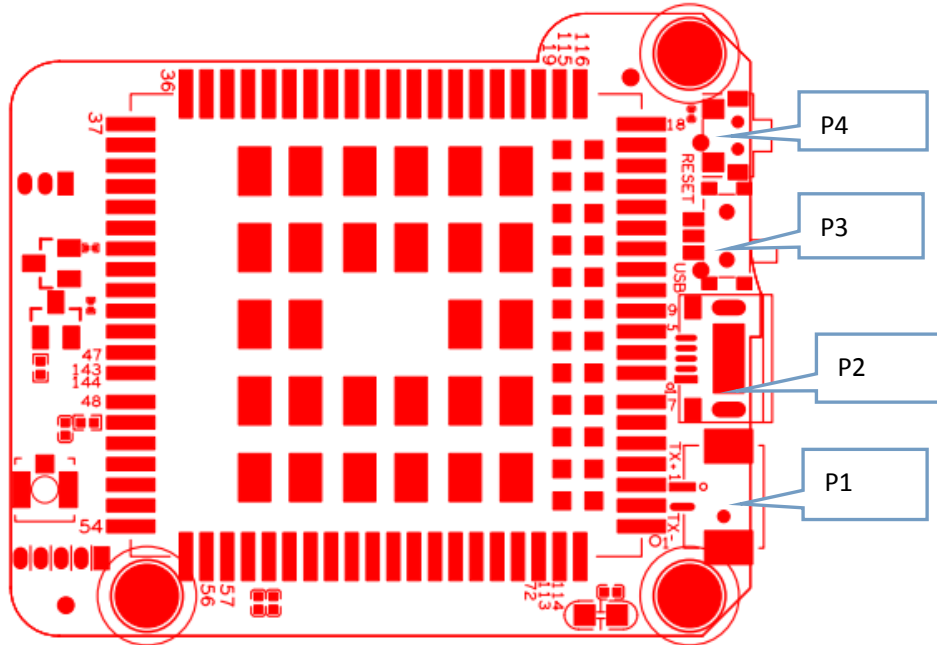
LPG-X3-4GQEU Interface description



sign	Socket	Specific No	Interface Description	Function
P1	J1	1	+3.3V_PIR	3.3V pir power supply
		2	GND	GND
		3	PIR_IN	PIR signal
P2	J10	1	WB_IN	microwave signal
		2	+5V_BQ	4.2v power supply
P3	J9	1	OUT1	ICR signal
		2	OUT2	ICR signal
P4	J11	1	USB_DP	USB signal
		2	USB_DM	USB signal
		3	GND	GND
		4	UART1_RXD	Main control serial port signal
		5	UART1_TXD	Main control serial port signal
		6	GND	GND
		7	TPRX-	Network port signal
		8	TPRX+	Network port signal
		9	TPTX-	Network port signal
		10	TPTX+	Network port signal
P5	J3	1	GND	GND
		2	+5V_BQ	4.2V power supply
		3	3V3	3.3V power supply
		4	3V3	3.3V power supply
		5	GND	GND
		6	GPI006	White light signal is highly effective
		7	LED_EN	Infrared lamp switch signal high effective
		8	ADC_IN	Photosensitive signal
		9	MCU_LED1	Blue LED indicator
		10	MCU_LED2	Red LED indicator
P6	J4	1	WIFI_CLK	WiFi clock
		2	GND	GND
		3	WIFI_CMD	WiFi command
		4	WIFI_DATA0	WiFi signal
		5	GND	GND
		6	PWR_HOLD	Power enable
		7	PIR_IN	PIR signal
		8	GND	GND

		9	CARD_DETECT	SD card detection
		10	/	/
		11	SD0_DATA3	SD card data
		12	SD0_DATA0	SD card data
		13	SD0_DATA1	SD card data
		14	SD0_DATA2	SD card data
		15	SD0_CMD	SD card command
		16	SD0_CLK	SD card clock output signal
		17	GND	GND
		18	SD1_HOST_INT0	WiFi interrupt signal
		19	MCU_LED1	Blue LED
		20	MCU_LED2	Red LED
		21	SW_ON/OFF	Master control reset signal
		22	GND	GND
		23	WB_IN	microwave signal
		24	GND	GND
		25	3V3	3.3V power supply
		26	+5V_LI	Battery power supply 3.3V-4.2V
		27	GND	GND
		28	GND	GND
		29	+5V_BQ	4.2V power supply
		30	+5V_BQ	4.2V power supply
P7	J5	1	GND	GND
		2	UART0_TXD	Serial port
		3	UART0_RXD	Serial port
		4	BOOTSEL0	Configuration signal
P8	J8	1	+5V_M2	Vertical motor supply 4.2v
		2	V_MOT08	Vertical motor signal
		3	V_MOT07	Vertical motor signal
		4	V_MOT06	Vertical motor signal
		5	V_MOT05	Vertical motor signal
P9	J2	1	+5V_M1	Horizontal motor supply 4.2v
		2	4C	Horizontal motor signal
		3	3C	Horizontal motor signal
		4	2C	Horizontal motor signal

		5	1C	Horizontal motor signal
P10	J7	1	MICN	Mic negative
		2	MICP	Mic positive
P11	J6	1	VOP	Horn signal positive
		2	VON	Horn signal negative



sign	Socket	Specific No	Interface Description	Function
P1	J17	1	TPTX+	Network port signal
		2	TPTX-	Network port signal
P2	J7	1		Micro USB interface
P3	J2	1	Toggle switch	On off function
P4	K1	1	switch	Switch wake-up and reset key low level is effective
P5	J9	1	SDO_DATA2	SD card data
		2	SDO_DATA3	SD card data
		3	SDO_CMD	control command
		4	+3.3VSD	3.3V power supply
		5	SDO_CLK	Clock signal output
		6	GND	GND
		7	SDO_DATA0	SD card data
		8	SDO_DATA1	SD card data
		9	CARD_DECT	SD card detection
P6	J14	1	USIM_CLK	Clock signal output
		2	USIM_DATA	SIM card data
		3	USIM_RST	SIM card reset
		4	/	/
		5	USIM_VDD	SIM card power supply
		6	GND	GND
		7	USIM_DETE	SIM card detection
P7	J4	1	/	/
		2	GND	GND
		3	/	/
		4	/	/
		5	GND	GND
		6	PWR_HOLD	Power enable
		7	PIR_IN	PIR signal
		8	GND	GND
		9	CARD_DETECT	SD card detection
		10	/	/
		11	SDO_DATA3	SD card data
		12	SDO_DATA0	SD card data
		13	SDO_DATA1	SD card data
		14	SDO_DATA2	SD card data
		15	SDO_CMD	SD card command
		16	SDO_CLK	SD card clock output signal
		17	GND	GND

		18	/	/
		19	MCU_LED1	Blue LED indicator
		20	MCU_LED2	Red LED indicator
		21	SW_ON/OFF	Master control reset signal
		22	GND	GND
		23	EXT_RSTN	microwave signal
		24	GND	GND
		25	3V3	3.3V power supply
		26	+5V_LI	Battery power supply 3.3V-4.2V
		27	GND	GND
		28	GND	GND
		29	+5V_BQ	4.2V power supply
		30	+5V_BQ	4.2V power supply
P8	J15	1	TPTX+	Network port signal
		2	TPTX-	Network port signal
		3	TPRX+	Network port signal
		4	TPRX-	Network port signal
P8	J15	5	GND	GND
		6	UART1_TXD	Serial port
		7	UART1_RXD	Serial port
		8	GND	GND
		9	USB_DN	USB signal
		10	USB_DP	USB signal
P9	J10	1	5V_SY	5V voltage stabilizing input
		2	+5V	Solar energy input
P10	J6	1	GND	GND
		2	+5V_LI	Battery power supply 3.3V-4.2V