

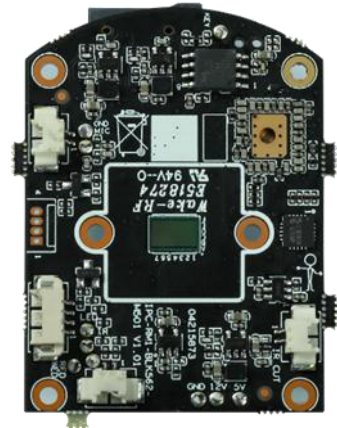
## IVG-N8-LQ

### 8.0M Black Light illumination H.265 Dome Camera Module

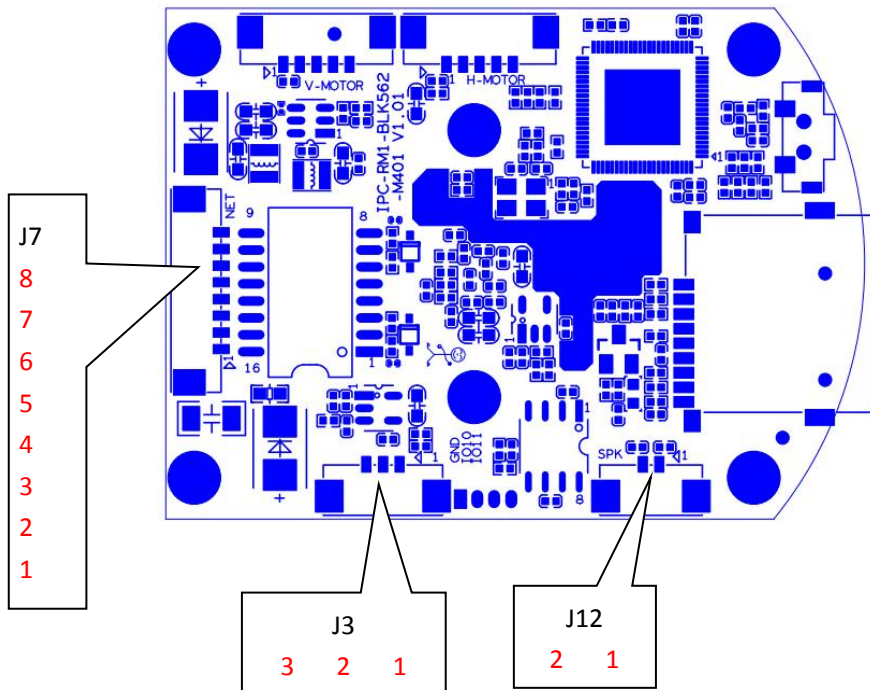
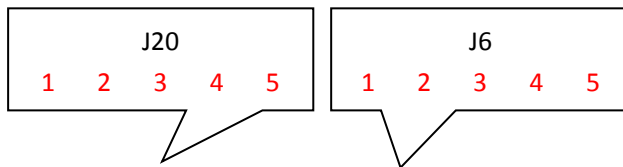
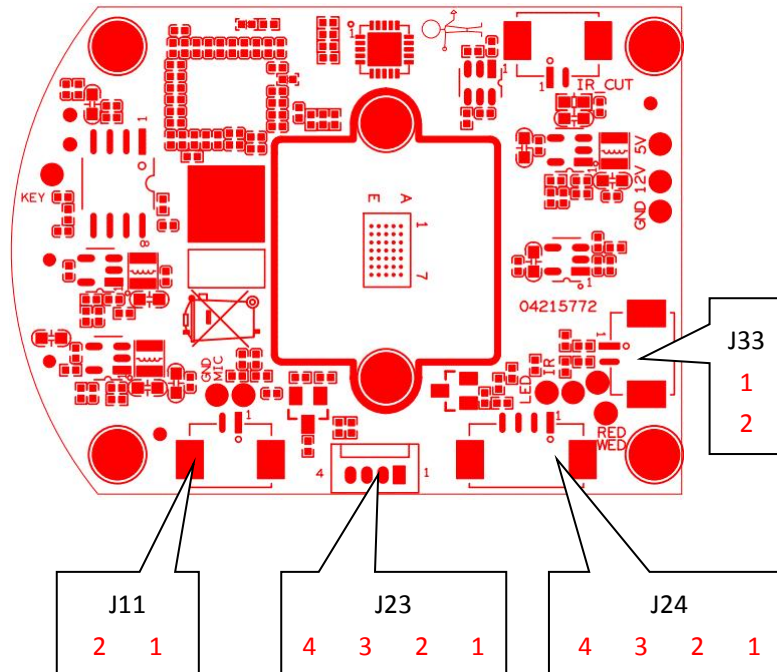
#### Features:

- Supporting Face detection, Humanoid detection, and supports customization of other smart functions;
- 8.0MP HD Black Light illumination resolution, clear and fine images;
- Support 2D/3D noise reduction, digital wide dynamic;
- Advanced H.265AI (Compatible with H.265/H.264) video compression, Super low rate, high definition quality of image;
- Professional anti-lightning, conform to GB/T17626.5 and IEC61000-4-5.
- Support ONVIF; access third party, Support various mobile monitoring (iPhone, Android);
- Provide web、CMS、center platform management software MYEYE, provide SDK development
- Support cloud technology, easy to achieve network penetration, fro in-line and alarm information pushed

#### Parameters:



Model	IVG-N8-LQ
System structure	Embedded RTOS, dual-core 32bit DSP (NT98566), pure hard compression, watch dog
Sensor	8.0M 1/2.7" SC8239 Black Light illumination CMOS sensor, color 0.0001Lux@F1.2, black/white 0.0001Lux@F1.2
Video compression	H.265AI (Compatible with H.265/H.264), support dual stream, AVI; 0.1M~8Mbps variable; 1~30f/s variable
Image output	Main stream: 8MP 3840*2160@15fps; 5MP 2880*1616@25fps; 4MP 2560*1440@25fps; 2MP 1920*1080@25fps; sub-stream: 800*448@25fps;
Shutter	1/50(1/60)s to 1/10,000s
Lens	N/A
Day and night	Support IR-CUT, IR-CUT coil has an internal resistance of 20 ohms, the power-on time is less than 200ma, and the voltage is 3.5V-6V
Noise reduction	Support 2D/3D
Wide dynamic	Support digital
Auto iris	N/A
Audio compression	G.711, support bidirectional talk, audio&video synchronization
Audio interface	1ch input, level: 2Vp-p, impedance: 1kΩ, support sound pick-up input; 1ch output, impedance: 16Ω, 30mw, support microphone
Network interface	1*RJ45 10/100M adaptive Ethernet port; support RTSP/FTP/DHCP/NTP/UPnP etc
Extension interface	N/A
Singal interface	One photo resistance interface, one IR-CUT interface, support photo resistance signal and IR-CUT links to IR
PTZ	One horizontal motor interface, one vertical electrical interface
Motor interface	N/A
Alarm I/O	N/A
WIFI interface	N/A
Reset interface	Support
SD Card	Local TF card, up to 128G;
Reliability	Comprehensive lightning protection, 7 * 24 hours -10℃~65℃ high temperature stable and reliable testing
Intelligence analysis	Supporting Face detection, Humanoid detection, and supports customization of other smart functions etc.
Other function	Support WEB, OSD, live video transmission, motion detect and IO alarm, front-end storage/playback/download, and center reminder and image linkage, support FTP capture; united remote client monitoring software、MYEYE; perfect SDK;
ONVIF	Support
Mobile monitoring	Support multiple mobile monitoring (iOS, Android)
Power	DC12V/2A input, power consumption: ≤3W,
Dimension	38mm*53mm
Other	Support POE power supply, not support any custom, The drive voltage of the light board is at 3.3V



Socket	Specific No	Interface Description	Function	
J7	1	KEY_SET	Key reset	Connect the tail wire
	2	LED1/PHYAD1_CTRL	Network indicator	
	3	ETHTX+	Network	
	4	ETHTX-		
	5	ETHRX+		
	6	ETHRX-		
	7	GND	GND	
	8	12V	12V	
CN1	1	IRCUTB	IRCUT	Connect IRCUT
	2	IRCUTA		
J3	1	GPIO_11	IO reserved	Reserved Socket
	2	GPIO_10	IO reserved	
	3	GND	GND	
J23	1	GND	GND	Serial debugging port
	2	TX	UART	
	3	RX	UART	
	4	NC	NC	
J33	1	WLED	White light control	Dual light control
	2	RLED	Infrared light control	

Socket	Specific No	Interface Description	Function	
J24	1	5V	5V	Light sensitivity and indicator light
	2	GND	GND	
	3	ADC_IN	Optical-sensitive signal acquisition port	
	4	LED	LED	
J11	1	MIC_IN	MIC_IN	Connect MIC
	2	MIC_G	MIC_G	
J12	1	SPKN	Horn signal	Connect Horn
	2	SPKP		
J20	1	+5V_M1	Vertical motor power signal	Connect vertical
	2	OUT1	Vertical motor signal	
	3	OUT2	Vertical motor signal	
	4	OUT3	Vertical motor signal	

	5	OUT4	Vertical motor signal	motor
J6	1	+5V_M2	Horizontal motor power signal	Connect horizontal motor
	2	OUT1	Horizontal motor signal	
	3	OUT2	Horizontal motor signal	
	4	OUT3	Horizontal motor signal	
	5	OUT4	Horizontal motor signal	