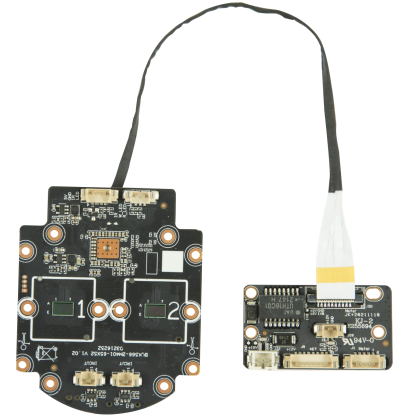


IVG-N2-2LQ
4MP Binocular Wired Dome Camera module
Features:

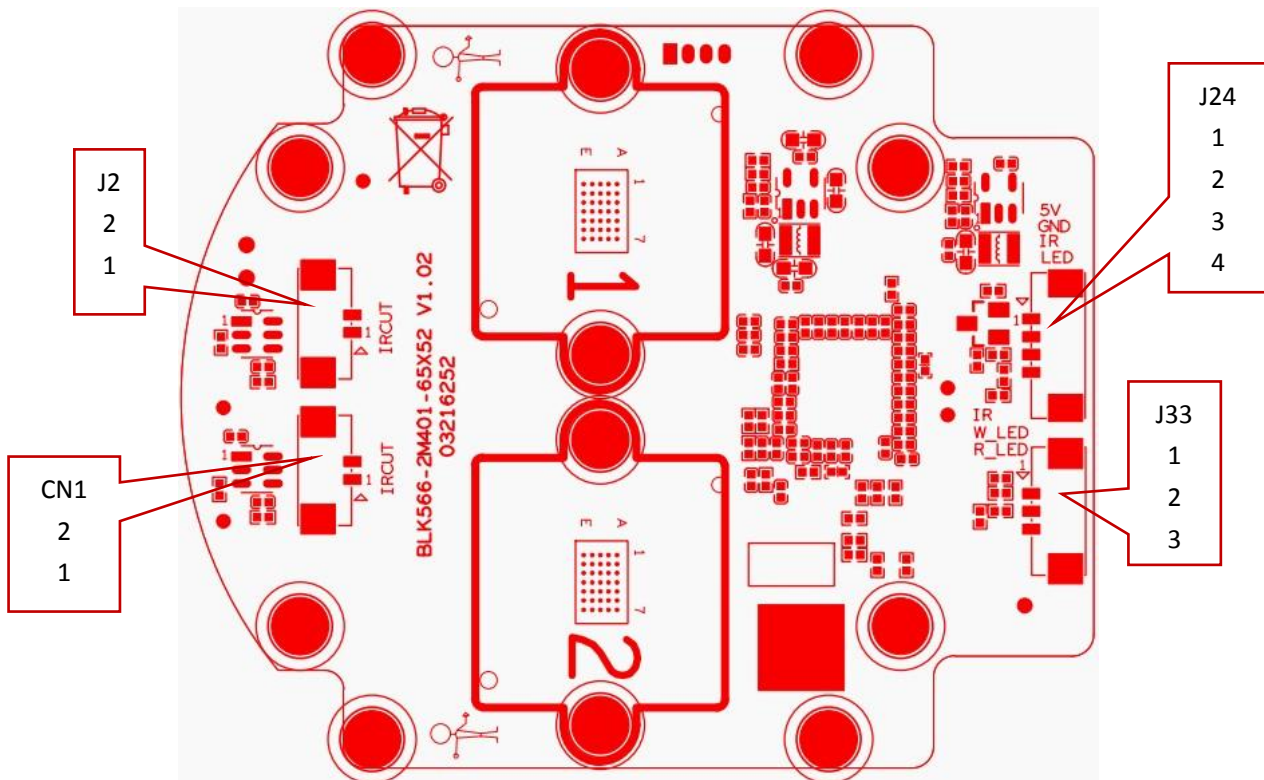
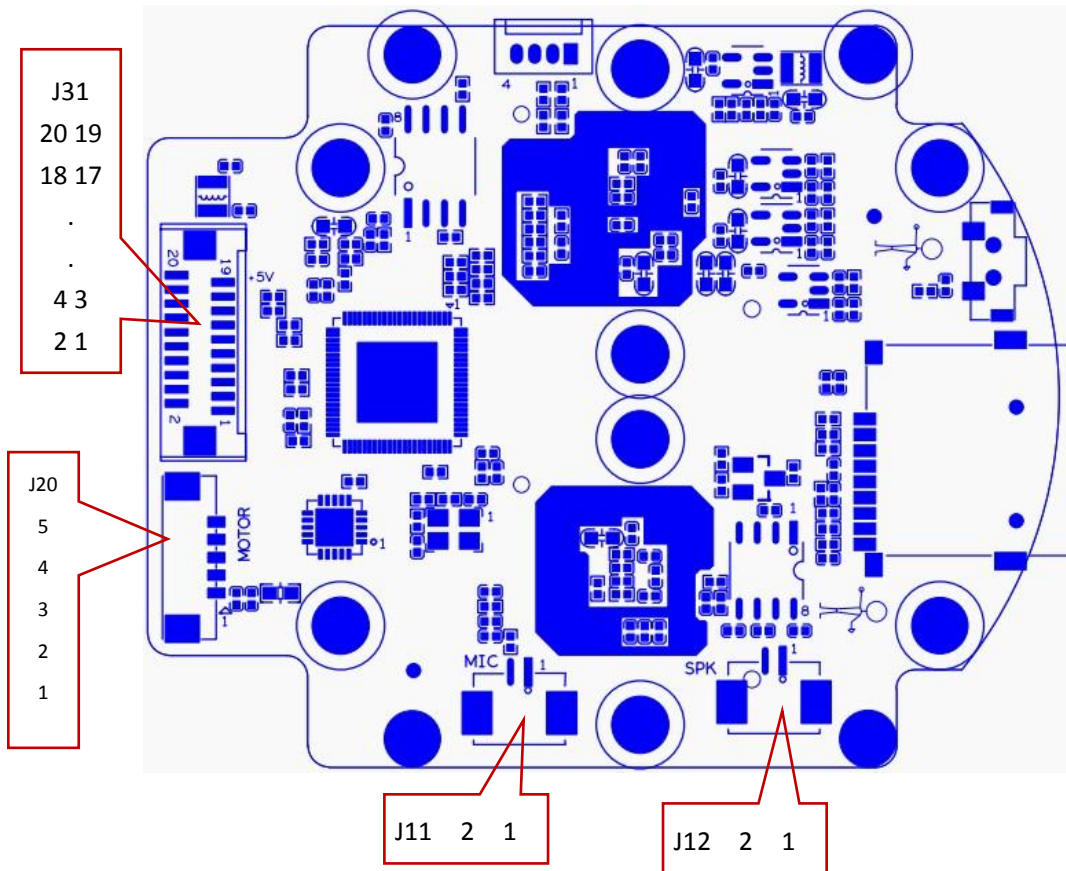
- Supporting Face detection, Humanoid detection, and supports customization of other smart functions;
- 4MP resolution, clear and fine images;
- Support binocular 8x hybrid zoom;
- Support picture in picture display;
- Support dual light, human shape and intelligence (line mixing, area care, etc.);
- Support 2D/3D noise reduction, digital wide dynamic;
- Advanced H.265AI (Compatible with H.265/H.264) video compression, Super low rate, high definition quality of image;
- Professional anti-lightning, conform to GB/T17626.5 and IEC61000-4-5;
- Support ONVIF; access third party;
- Support various mobile monitoring (iPhone, Android);
- Support cloud technology, easy to achieve network penetration, from in-line and alarm information pushed;


Parameters:

Model	IVG-N2-2LQ
System structure	dual-core 32-bit DSP (NT98566), pure hard compression, watch dog
Sensor	2 pcs 2MP 1/3" SC2236 CMOS sensor
Video compression	H.265AI (Compatible with H.265/H.264) coding, support dual stream, AVI; 0.1M~10Mbps variable
Min. Illumination	Color: 0.01Lux @(F1.2, AGC ON); 0 Lux with IR Black/White: 0.001 Lux @(F1.2, AGC ON), 0 Lux with IR
Image output	Main stream: 1920*1080@25fps; sub-stream: 800*448@25fps;
Shutter	1/50(1/60)s to 1/10,000s
Lens	N/A
Day and night	Support IR-CUT
Noise reduction	Support 2D/3D
Wide dynamic	Support
Auto iris	N/A
Audio compression	G.711 standard compression, support two-way Bidirectional Talk, support for audio and video synchronization
Audio interface	1ch input, level: 2Vp-p, impedance: 1kΩ, support sound pick-up input; 1ch output, impedance: 16Ω, 30mw, support microphone;
Network interface	1 RJ45 Ethernet interface, 10/100M adaptive
Extension interface	N/A
Singal interface	one IR-CUT interface
PTZ interface	One horizontal motor interface, one vertical electrical interface
Alarm I/O	N/A
Network interface	N/A
Reset interface	Support
Storage mode	Local TF card, up to 128G
Reliability	Comprehensive lightning protection, 7 * 24 hours 65 °C high temperature stable and reliable testing
Intelligence analysis	Supporting Face detection, Humanoid detection, and supports customization of other smart functions etc.
Other function	It supports remote monitoring of mobile client, push message after alarm of human figure detection, and supports FTP capture;
ONVIF	support
Mobile monitoring	Support multiple mobile monitoring (iOS, Android)
Power	DC12V/2A input, power consumption: ≤3W,
Dimension	52mm*64mm+41mm*20mm

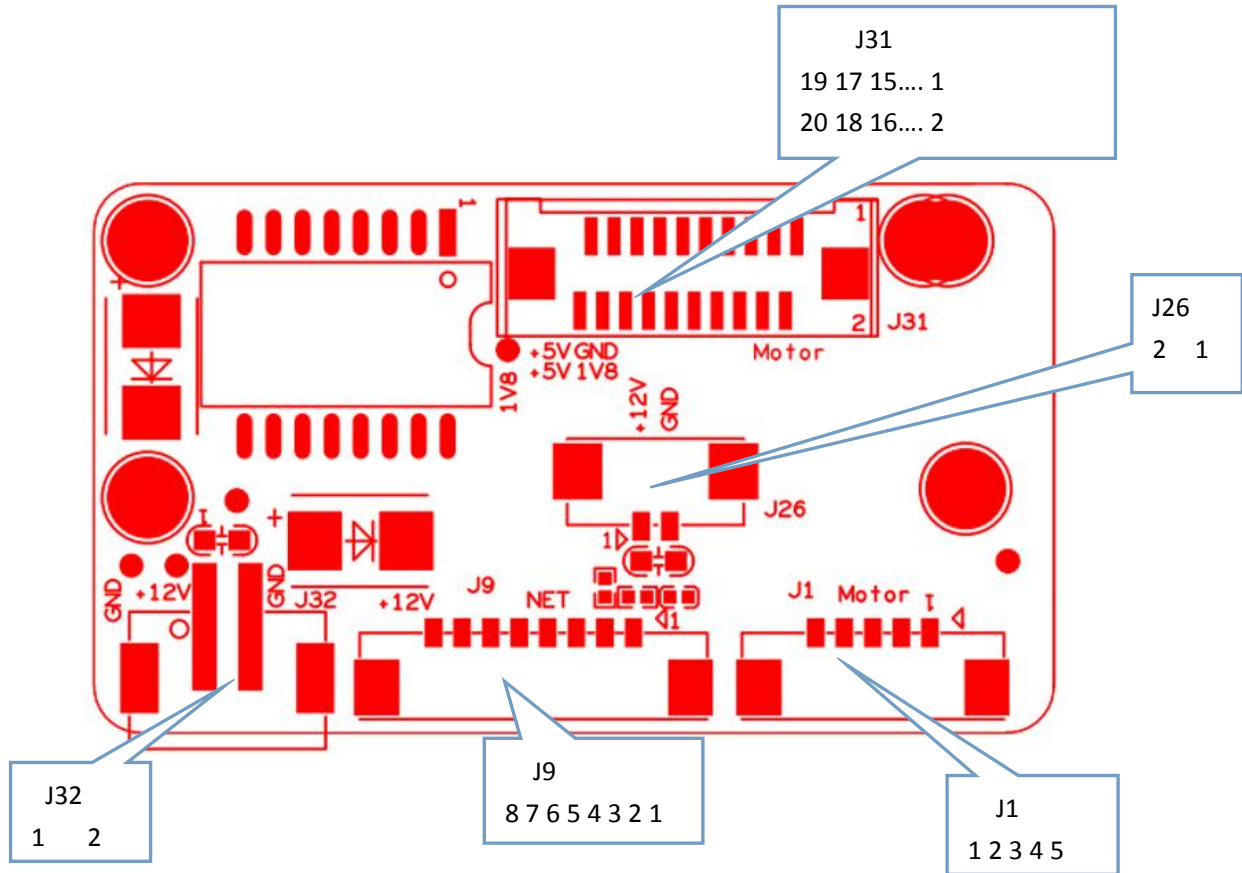
IVG-N2-2LQ

Interface description



Socket	Specific No	Interface Description	Function
J31	1	OUT1	Horizontal motor
	2	OUT2	
	3	OUT3	
	4	OUT4	
	5	GND	GND
	6	KEY_SET	RESET
	7	GND	GND
	8	WIFI_PDN	WiFi
	9	WIFI_DN	
	10	WIFI_DP	
	11	GND	GND
	12	TPTX-	wired
	13	TPTX+	
	14	GND	GND
	15	TPRX+	wired
	16	TPRX-	
	17	GND	GND
	18	/	
	19	5V	Power Supply
	20	5V	
2	OUT4		
3	OUT3		
4	OUT2		
5	OUT1		
J20	1	+5V_M1	Vertical motor interface
	2	OUT8	
	3	OUT7	
	4	OUT6	
	5	OUT5	
J12	1	SPKN	SPK
	2	SPKP	
J11	1	GND	MIC
	2	MIC_INP	
J2	1	OUT1	ICUT
	2	OUT2	
CN1	1	OUT1	ICUT
	2	OUT2	
J24	1	5V	Power Supply
	2	GND	GND
	3	IR	Infrared signal input
	4	LED	LED control

J33	1	IR	Infrared signal input
	2	WLED	White light enable
	3	RLED	Infrared enable



Socket	Specific No	Interface Description	Function
J31	1	OUT1	Motor signal
	2	OUT2	Motor signal
	3	OUT3	Motor signal
	4	OUT4	Motor signal
	5	GND	GND
	6	KEY_SET	Reset button
	7	GND	GND
	8	/	/
	9	/	/
	10	/	/
	11	GND	GND
	12	TPTX-	Network port transmission
	13	TPTX+	Network port transmission
	14	GND	GND

	15	TPRX+	Network port receiving signal
	16	TPRX-	Network port receiving signal
	17	GND	GND
	18	1V8	1V8 Power Supply
	19	+5V	5V Power Supply
	20	+5V	5V Power Supply
J1	1	+5V	5V Power Supply
	2	OUT1	Horizontal motor signal
	3	OUT2	Horizontal motor signal
	4	OUT3	Horizontal motor signal
	5	OUT4	Horizontal motor signal
J9	1	KEY_SET	Reset button
	2	Led	Network port light signal
	3	ETHTX+	Network transformer transmission signal line
	4	ETHTX-	Network transformer transmission signal line
	5	ETHRX+	Network transformer receiving signal line
	6	ETHRX-	Network transformer receiving signal line
	7	GND	GND
	8	12V	12V Power Supply
J32	1	12V	12V Power Supply
	2	GND	GND
J26	1	12V	12V Power Supply
	2	GND	GND