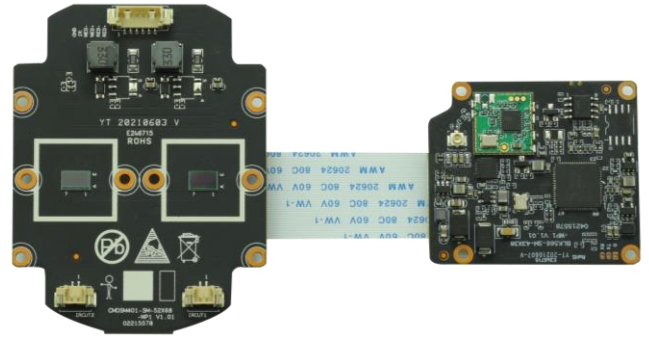
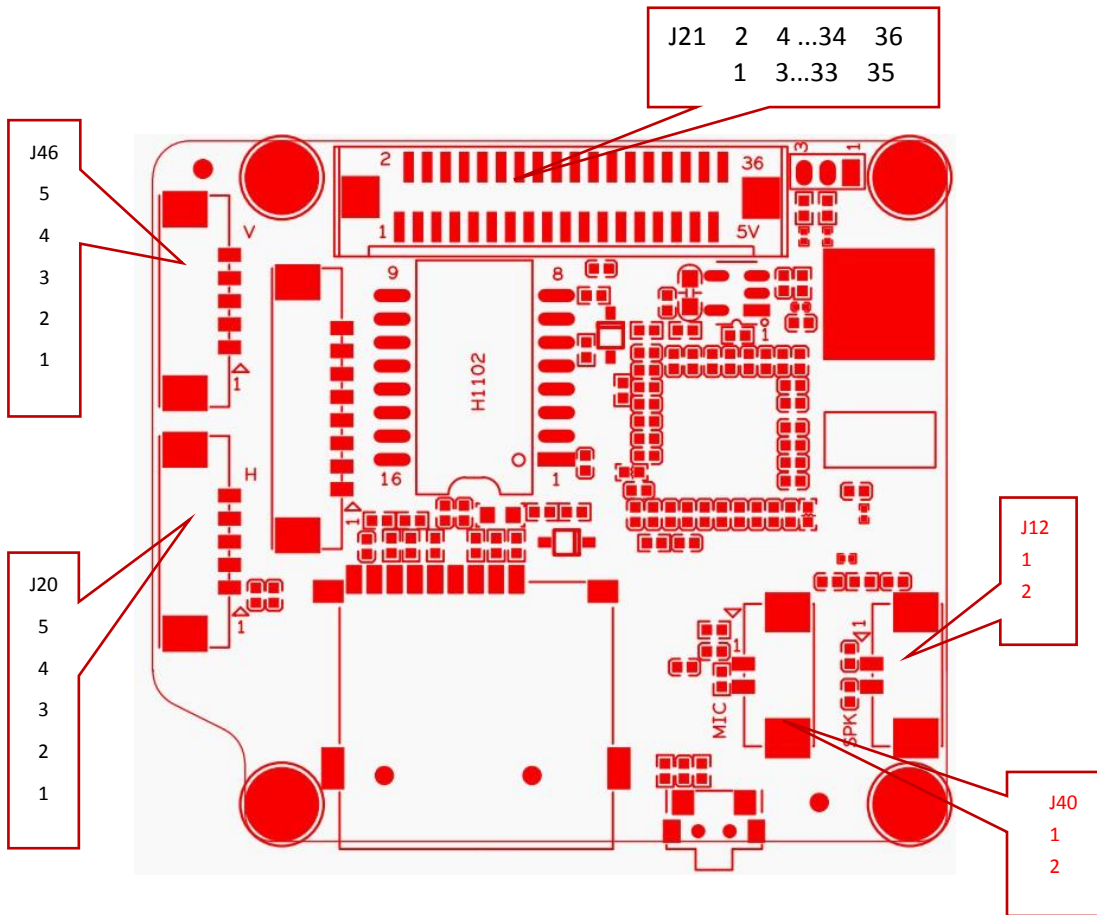


IPG-N2-WQ2
1080P Binocular WiFi Dome Camera module
Features:

- 1080P resolution,clear and fine images;
- Support binocular 8x hybrid zoom;
- Support picture in picture display;
- Support dual light, human shape and intelligence (line mixing, area care, etc.);
- Support for wired and wireless connections
- Support 2D/3D noise reduction,digital wide dynamic;
- Advanced H.265AI video compression,Super low rate,high definition quality of image;
- Professional anti-lightning,conform to GB/T17626.5 and IEC61000-4-5;
- Support ONVIF;access third party;
- Support various mobile monitoring(iPhone,Android);
- Support cloud technology,easy to achieve network penetration,fro in-line and alarm information pushed;

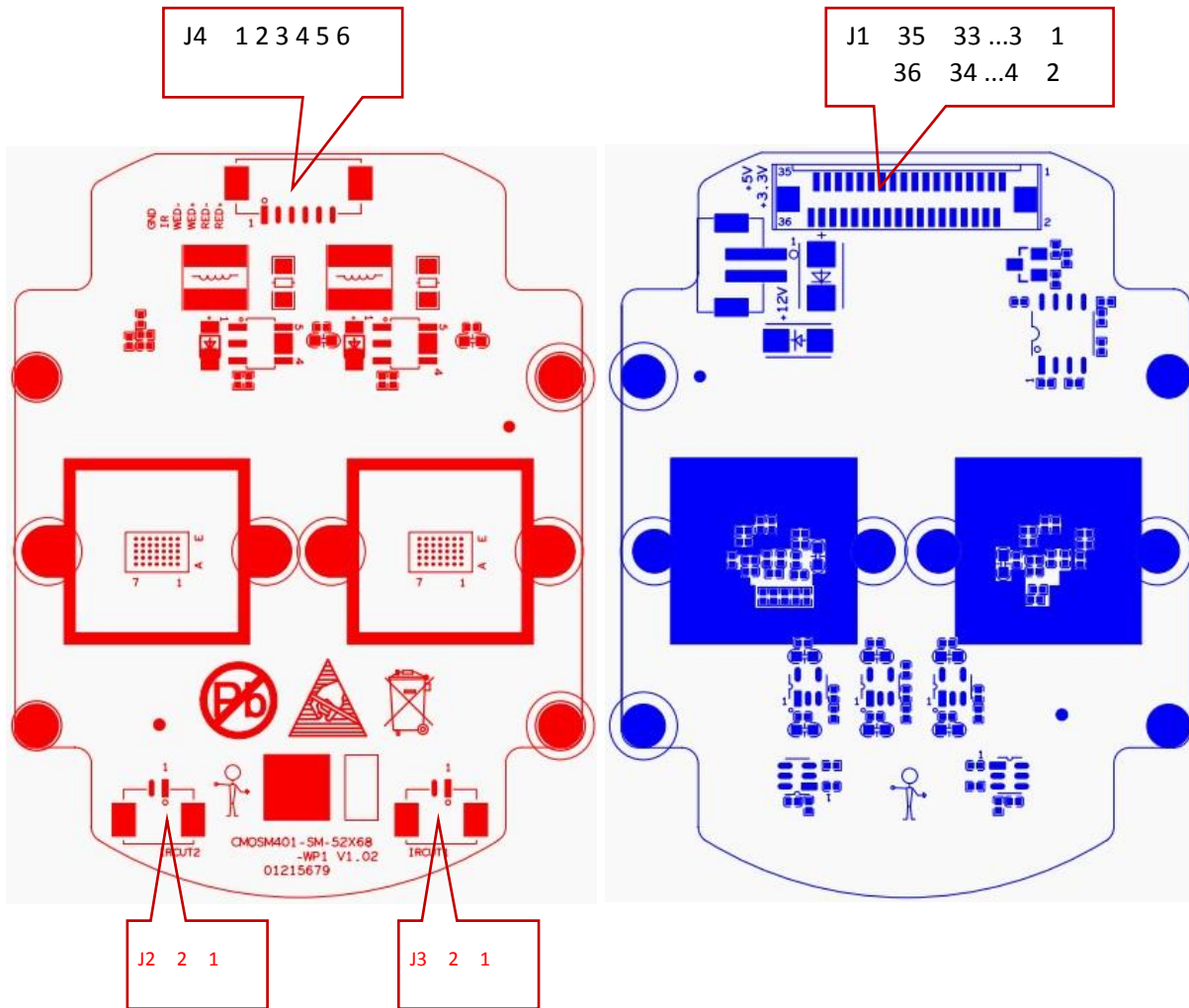

Parameters:

Model	IPG-N2-WQ2
System structure	dual-core 32-bit DSP (NT98566) ,pure hard compression ,watch dog
Sensor	2 pcs 1080P 1/3" SC2336 CMOS sensor
Video compression	H.265AI coding,support dual stream,AVI;0.1M~10Mbps variable
Min.Illumination	Color: 0.01Lux @(F1.2,AGC ON); 0 Lux with IR Black/White: 0.001 Lux @ (F1.2,AGC ON),0 Lux with IR
Image output	Main stream: 1920*1080@12fps; sub-stream: 800*448@12fps
Shutter	1/50(1/60)s to 1/10,000s
Lens	N/A
Day and night	Support IR-CUT
Noise reduction	Support 2D/3D
Wide dynamic	Support
Auto iris	N/A
Audio compression	G.711 standard compression,support two-way Bidirectional Talk,support for audio and video synchronization
Audio interface	1ch input,level:2Vp-p,impedance:1kΩ,support sound pick-up input;1ch output,impedance:16Ω,30mw,support microphone;
Network interface	1 RJ45 Ethernet interface, 10/100M adaptive
Extension interface	N/A
Singal interface	one IR-CUT interface
PTZ interface	One horizontal motor interface, one vertical electrical interface
Alarm I/O	N/A
Network interface	supporting wireless network connection
Reset interface	Support
Storage mode	Local TF card, up to 128G; cloud storage
Reliability	Comprehensive lightning protection, 7 * 24 hours 65 °C high temperature stable and reliable testing
Intelligence analysis	Supporting human detection ,support to customizing other intelligent functions
Other function	It supports remote monitoring of mobile client, push message after alarm of human figure detection, and supports MJPEG capture;
ONVIF	support
Mobile monitoring	support
Power	DC12V
Dimension	43mm*38mm+52mm*68mm
Other	N/A

IPG-N2-WQ2
Interface description


Socket	Specific No	Interface Description	Function
J21	1	GND	GND
	2	SEN_CLK1P	clock signal
	3	SEN_CLK1N	
	4	GND	
	5	SEN_D2P	data signal
	6	SEN_D2N	
	7	GND	GND
	8	SEN_D3P	data signal
	9	SEN_D3N	
	10	GND	GND
	11	SEN1_MCLK	Master clock
	12	GND	GND
	13	SCL	IIC
	14	SDA	

	15	GND	GND
	16	SEN_CLK0P	clock signal
	17	SEN_CLK0N	
	18	GND	GND
	19	SEN_D0P	data signal
	20	SEN_D0N	
	21	GND	GND
	22	SEN_D1P	data signal
	23	SEN_D1N	
	24	GND	GND
	25	SEN0_MCLK	Master clock
	26	GND	GND
	27	IRCUT_A	ICUT control signal
	28	W_LED	White light enable
	29	R_LED	Infrared lamp enable
	30	LED	Reserved IO
	31	ADC1_IN	Infrared signal
	32	GND	GND
	33	3V3	3.3V Power Supply
	34	3V3	
	35	5V	5V Power Supply
	36	5V	
J46	1	+5V_M2	Vertical motor interface
	2	OUT4	
	3	OUT3	
	4	OUT2	
	5	OUT1	
J20	1	+5V_M1	Horizontal motor interface
	2	OUT8	
	3	OUT7	
	4	OUT6	
	5	OUT5	
J12	1	SPKN	SPK
	2	SPKP	
J40	1	GND	MIC
	2	MIC_INP	



Socket	Specific No	Interface Description	Function
J1	1	GND	GND
	2	SEN_CLK1P	clock signal
	3	SEN_CLK1N	
	4	GND	GND
	5	SEN_D2P	data signal
	6	SEN_D2N	
	7	GND	GND
	8	SEN_D3P	data signal
	9	SEN_D3N	
	10	GND	GND
	11	SEN1_MCLK	Master clock
	12	GND	GND
	13	SCL	IIC
	14	SDA	

	15	GND	GND
	16	SEN_CLK0P	clock signal
	17	SEN_CLK0N	
	18	GND	GND
	19	SEN_D0P	data signal
	20	SEN_D0N	
	21	GND	GND
	22	SEN_D1P	data signal
	23	SEN_D1N	
	24	GND	GND
	25	SEN0_MCLK	Master clock
	26	GND	GND
	27	IRCUT_A	ICUT control signal
	28	W_LED	White light enable
	29	R_LED	Infrared lamp enable
	30	LED	Reserved IO
	31	ADC1_IN	Infrared signal
	32	GND	GND
	33	3V3	3.3V Power Supply
	34	3V3	
	35	5V	5V Power Supply
	36	5V	
	2	OUT8	
	3	OUT7	
	4	OUT6	
	5	OUT5	
J2	1	OUT1	ICUT Interface
	2	OUT2	
J3	1	OUT1	ICUT Interface
	2	OUT2	
J4	1	GND	GND
	2	IR-	Photosensitive signal
	3	WED_-	White light negative
	4	WED_+	White light positive
	5	RED_-	Infrared lamp negative
	6	RED_+	Infrared lamp positive