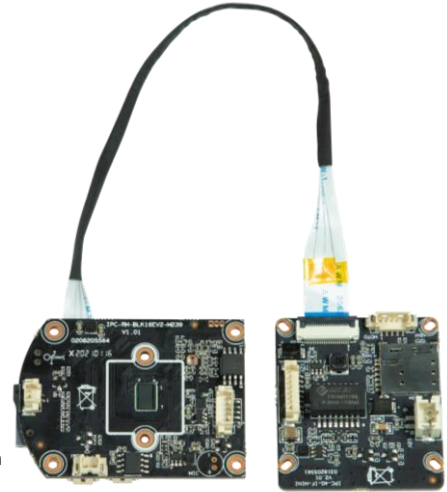


IPG-G3-4GQEU
3MP 4G Dome Camera module (European version)
Features:

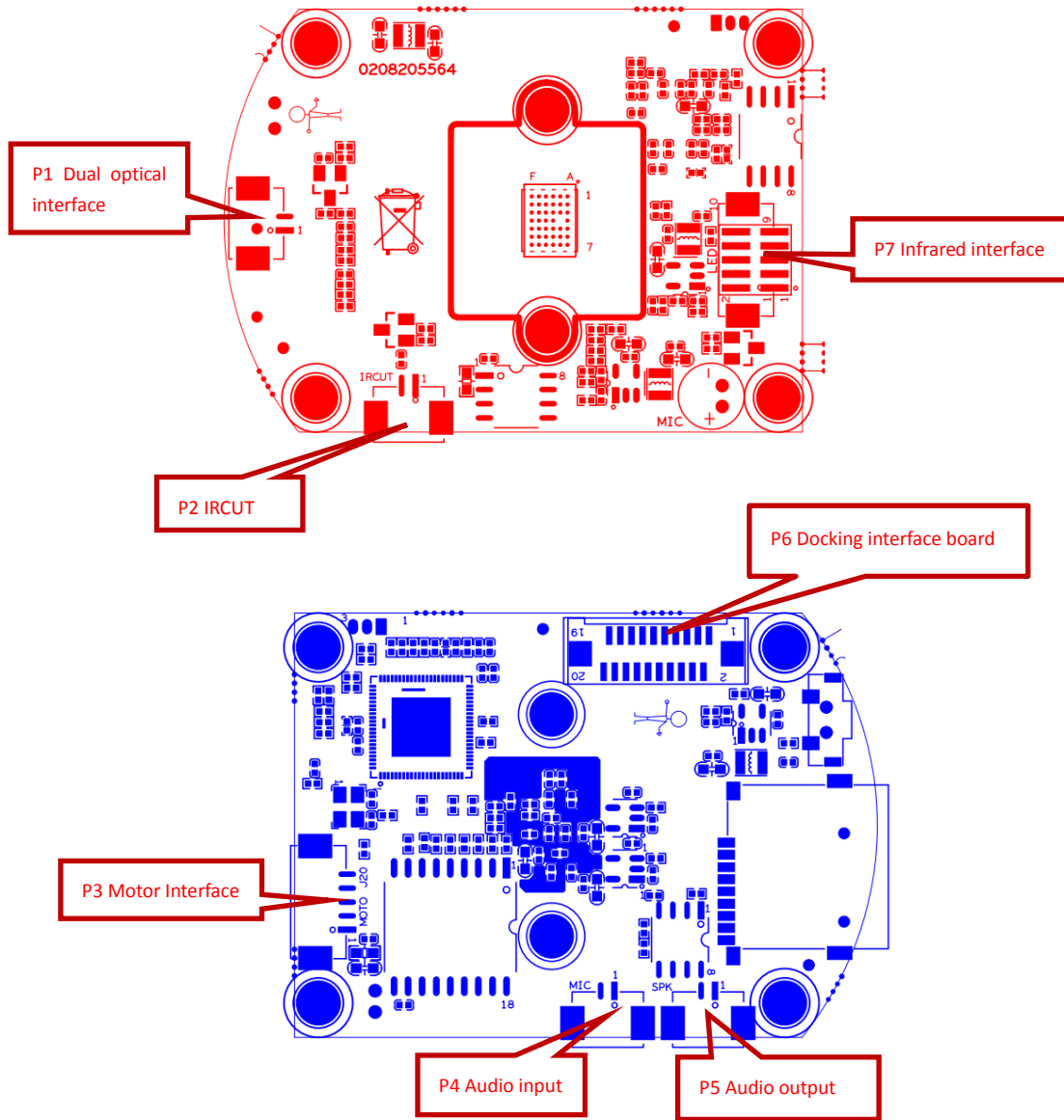
- 3.0MP resolution,clear and fine images;
- Support 4G(CAT4) network connection;
- Support 2D/3D noise reduction,digital wide dynamic;
- Advanced H.265AI video compression,Super low rate,high definition quality of image;
- Professional anti-lightning,conform to GB/T17626.5 and IEC61000-4-5;
- Support various mobile monitoring(iOS , Android);
- Support cloud technology,easy to achieve network penetration,fro in-line and alarm information pushed;


Parameters:

Model	IPG-G3-4GQEU
System structure	dual-core 32-bit DSP (GK7205V200) ,pure hard compression ,watch dog
Sensor	3MP 1/2.8"SC4239H CMOS sensor
Video compression	H.265AI coding,support dual stream,AVI;0.1M~10Mbps variable
Min.Illumination	Color: 0.01Lux @(F1.2,AGC ON); 0 Lux with IR Black/White: 0.001 Lux @ (F1.2,AGC ON),0 Lux with IR
Image output	Main stream: 2304*1296@12fps; sub-stream: 800*448@12fps
Shutter	1/50(1/60)s to 1/10,000s
Lens	N/A
Day and night	Support IR-CUT
Noise reduction	Support 2D/3D
Wide dynamic	Support
Auto iris	N/A
Audio compression	G.711 standard compression,support two-way Bidirectional Talk,support for audio and video synchronization
Audio interface	1ch input,level:2Vp-p,impedance:1kΩ,support sound pick-up input;1ch output,impedance:16Ω,30mw,support microphone;
Extension interface	N/A
Singal interface	one IR-CUT interface
PTZ interface	One horizontal motor interface, one vertical electrical interface
Alarm I/O	N/A
Network interface	1 * binding 4G card
Reset interface	Support
Storage mode	Local TF card, up to 128G; cloud storage
Reliability	Comprehensive lightning protection, 7 * 24 hours 65 °C high temperature stable and reliable testing
Intelligence analysis	Supporting human detection ,support to customizing other intelligent functions
Other function	It supports remote monitoring of mobile client, push message after alarm of human figure detection, and supports MJPEG capture;
ONVIF	support
Mobile monitoring	support
Power	DC12V
Dimension	38mm*54mm+38mm*42mm

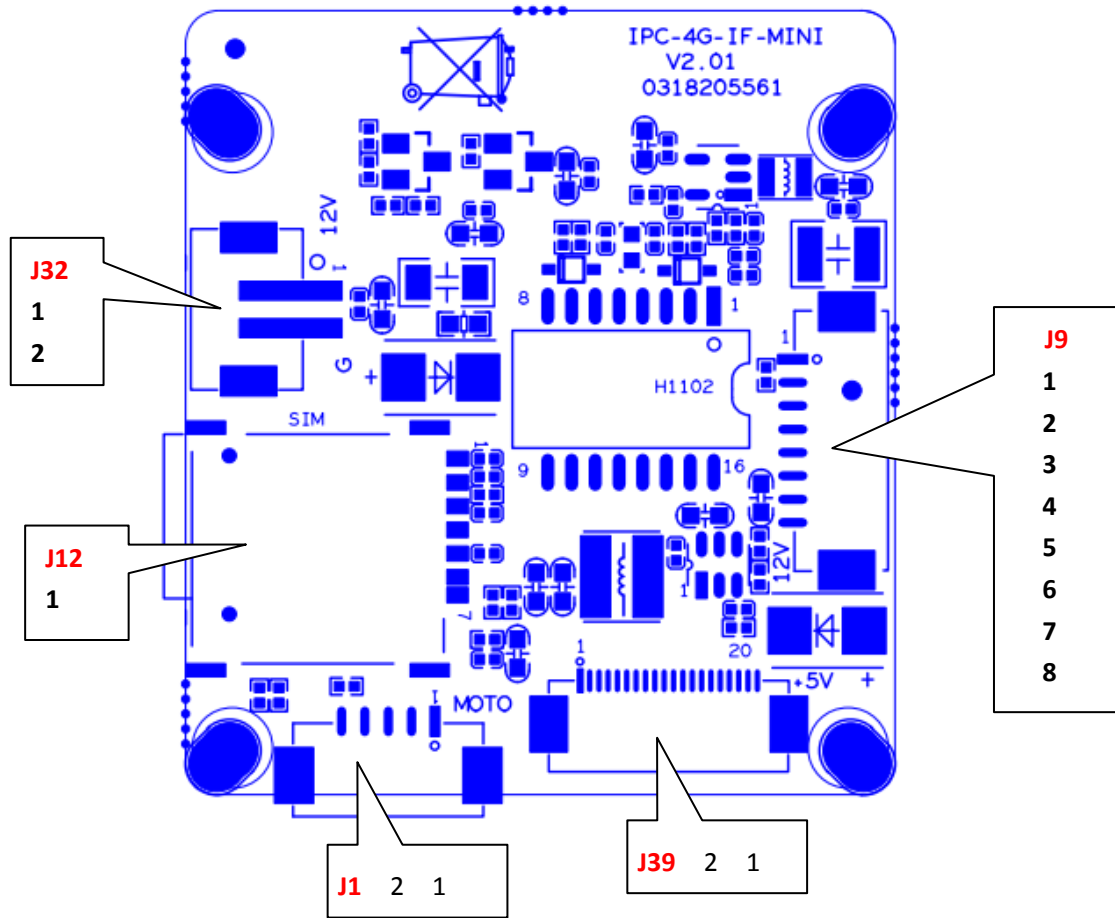
IPG-G3-4GQEU

Interface description



sign	Socket	Specific No	Interface Description	Function
P2	CN1	1	IRCUT-CONTROL2	IC-CUT driver
		2	IRCUT-CONTROL1	
P3	J20	1	+5V_M1	power
		2	OUT5	Vertical motor control
		3	OUT6	
		4	OUT7	
		5	OUT8	
P1	J32	1	WLED	White light control

		2	RLED	Infrared lamp control
P5	J12	1	AC_OUTL	loudspeaker
		2	AC_OUTR	loudspeaker
P7	J24	1	5V	5V power
		2	RED	Infrared input
		3	STATE_GPIO6_7	GPIO
		4	GND	GND
		5	LED_GPIO1_6+	GPIO
P4	J11	1	GND	GND
		2	AC_IN	Audio input
P6	J31	1	OUT1	Motor output 1
		2	OUT2	Motor output 2
		3	OUT3	Motor output 3
		4	OUT4	Motor output 4
		5	GND	GND
		6	KED_SET	Reset key
		7	GND	GND
		8	WIFI_PDN	WIFI enabled
		9	WIFI_DN	WIFI data
		10	WIFI_DP	WIFIdata
		11	GND	GND
		12	MDI_AN	Network signal
		13	MDI_AP	Network signal
		14	GND	GND
		15	MDI_BP	Network signal
		16	MDI_BN	Network signal
		17	GND	GND
		18	NC	NC
		19	5V	5V power
		20	5V	5V power



Socket	Specific No	Interface Description	Function
J32	1	12V	Lamp board interface
	2	GND	
J12	1	SIM	SIM card slot
J1	1	+5V	motor drive
	2	OUT1	
	3	OUT2	
	4	OUT3	
	5	OUT4	
	1	KEY_SET	Reset

J9	2	LED	Network port indicator light (false) always on
	3	ETHTX+	Network port signal
	4	ETHTX-	
	5	ETHRX+	
	6	ETHRX-	
	7	GND	GND
	8	+12V	12V
J39	1..4	OUT1-OUT4	Horizontal motor control
	5,7,11,14,17	GND	GND
	6	KEY_SET	Reset
	8,9,10	Wifi	Wif data line
	12,13,15,16	ETH	ETH signal line
	18	1V8	1.8V
	19,20	+5V	5V