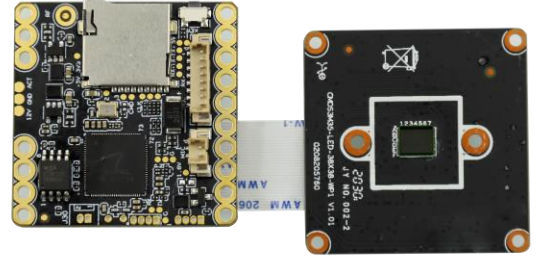


**IPG-80X30PSB-WPN**

3.0M dual-line network camera module

**Features:**

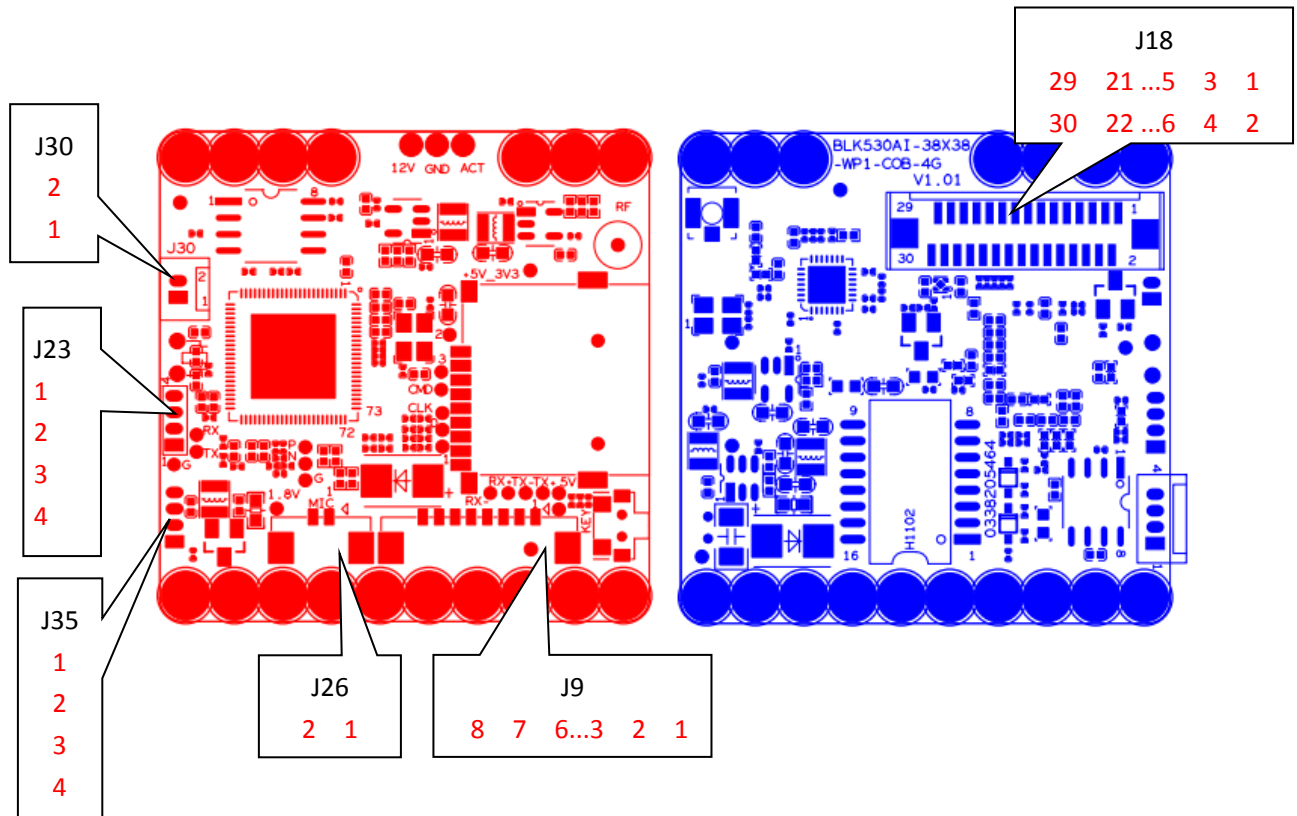
- 3.0M resolution, low illumination clear and fine images;
- Support for wired and wireless connections;
- Supporting human detection;
- Support 2D/3D noise reduction,digital wide dynamic;
- AdvancedH.265X video compression,Super low rate,high definition quality of image;
- Professional anti-lightning,conform to GB/T17626.5 and IEC61000-4-5;
- Support mobile phone monitoring(iOS, Android);
- Provide web、CMS、 provide SDK development;
- Support cloud technology,easy to achieve network penetration,fro in-line and alarm information pushed;


**Parameters:**

Model	IPG-80X30PSB-WPN
System structure	Embedded RTOS, dual-core 32-bit DSP (XM535),pure hard compression ,watch dog
Sensor	3.0M 1/2.8"SC3335 High performance CMOS sensor ,color 0.001Lux@F1.2,black/white 0.0001Lux@F1.2
Video compression	H.265X coding,support dual stream,AVI;0.1M~10Mbps variable
Image output	Main stream:2288*1288 @12fps; sub-stream: 640*360@12fps
Shutter	1/50(1/60)s to 1/10,000s
Lens	N/A
Day and night	Support IR-CUT
Noise reduction	Support 2D/3D
Wide dynamic	Support
Auto iris	N/A
Audio compression	G.711 standard compression,support two-way Bidirectional Talk,support for audio and video synchronization
Audio interface	1ch input,level:2Vp-p,impedance:1kΩ,support sound pick-up input;1ch output,impedance:16Ω,30mw,support microphone;
Network interface	1 RJ45 Ethernet interface, 10/100M adaptive(Merge with power interface)
Extension interface	N/A
Singal interface	one IR-CUT interface
PTZ	N/A
Motor interface	N/A
Alarm I/O	N/A
WIFI interface	Supports wireless connections
Reset interface	Support
Storage mode	Local TF card, up to 128G; cloud storage
Reliability	Comprehensive lightning protection, 7 * 24 hours 65 °C high temperature stable and reliable testing
Intelligence analysis	Supporting human detection and customizing other intelligent functions
Other function	It supports remote monitoring of mobile client, push message after alarm of human figure detection, and supports MJPEG capture;
ONVIF	Support
Mobile monitoring	Support
Power	DC12V
Dimension	38mm*38mm+38mm*38mm
Other	N/A

# BLK530AI-38X38-WP1-WIFI-4G-V1\_01

## Interface description



Socket	Specific No	Interface Description	Function
J9	1	KEY_SET	KEY_SET
	2	LED1	LED/PHY_AD1
	3	ETHTX+	Ethernet signal+
	4	ETHTX-	Ethernet signal-
	5	ETHRX+	Ethernet signal+
	6	ETHRX-	Ethernet signal-
	7	GND	GND
	8	12V	12V DC input
J26	1	MICIN	MIC IN-
	2	MICIP	MIC IP+
J30	1	RTC_BAT	RTC power supply
	2	GND	GND
J23	1	GND	GND
	2	UART0_TXD	UART0_TXD
	3	UART0_RXD	UART0_RXD
	4	BOOST	ROM
J18	1	I_MIPI_DATA1N_D8	MIPI data 1 negative signal / DVP data

Additional notes from the table:

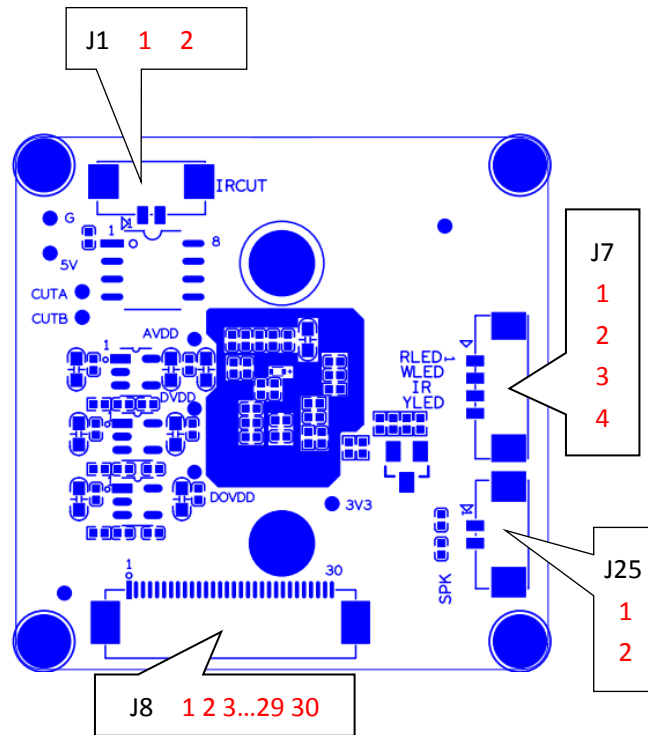
- For J9: Connect the tail line of the camera module
- For J26: Connect the pickup
- For J30: Connected to RTC battery
- For J23: Serial port debugging seat
- For J18: Connect the sensor module

			DATA8
2	I_MIPI_DATA1P_D9	MIPI data 1 positive signal / DVP data	DATA9
3	I_MIPI_DATA2N_D4	MIPI data 2 negative signal / DVP data	DATA4
4	I_MIPI_DATA2P_D2	MIPI data 2 positive signal / DVP data	DATA2
5	I_MIPI_DATA3N_D5	MIPI data 3 negative signal / DVP data	DATA5
6	I_MIPI_DATA3P_D3	MIPI data 3 positive signal / DVP data	DATA3
7	I_MIPI_CLKP_D7	MIPI clock positive signal / DVP data	DATA7
8	I_MIPI_CLKN_D6	MIPI clock negative signal / DVP data	DATA6
9	I_MIPI_DATA0P_D10	MIPI data 2 positive signal / DVP data	DATA10
10	I_MIPI_DATA0N_D11	MIPI data 3 negative signal / DVP data	DATA11
11	GND		GND
12	ADC1_IN		ADC sampling signal
13	SENO_MCLK		Sensor clock input
14	GND		GND
15	SDA		I2C data line
16	SCL		I2C clock line
17	IRCUT_A		IRCUT_A
18	IRCUT_B		IRCUT_B
19	SENSOR_VS		DVP frame synchronization
20	SENSO_HS		External synchronization trigger
21	SENSOR_PCLK		Sensor clock signal
22	GND		GND
23	SPKP		speaker
24	SPKN		speaker
25	WLED_GPI0041		

	26	RLED_GPI0039	LED light panel control	
	27	YLED_GPI0093		
	28	GND	GND	
	29	3V3	3.3V power output	
	30	+5V	5V power output	
J35	1	+5V_3V3	5V	Power input
	2	WIFI_DN	USB_DN	USB communication interface
	3	WIFI_DP	UDB_DP	
	4	GND	GND	GND

### CMOS3M35-LED-38X38-WP1-V1\_01

### Interface description



Socket	Specific No	Interface Description	Function	
J1	1	IR_CUTA	IR_CUTA	IR-CUT
	2	IR_CUTB	IR_CUTB	
J7	1	RLED_GPI0039	Alarm input / red light control (double light panel)	Lamp board interface (controlled in lamp board)
	2	WLED_GPI0041	Alarm input / white light control (double light panel)	
	3	ADCIN	IR hard photosensitive signal	
	4	YLED_GPI0093	Yellow light control	
J8	1	I_MIPI_DATA1N_D8	MIPI data 1 negative signal / DVP data DATA8	Connect to main control board
	2	I_MIPI_DATA1P_D9	MIPI data 1 positive signal / DVP data DATA9	
	3	I_MIPI_DATA2N_D4	MIPI data 2 negative signal / DVP data DATA4	
	4	I_MIPI_DATA2P_D2	MIPI data 2 positive signal / DVP data DATA2	
	5	I_MIPI_DATA3N_D5	MIPI data 3 negative signal / DVP data DATA5	
	6	I_MIPI_DATA3P_D3	MIPI data 3 positive signal / DVP data DATA3	
	7	I_MIPI_CLKP_D7	MIPI clock positive signal / DVP data DATA7	
	8	I_MIPI_CLKN_D6	MIPI clock negative signal / DVP data DATA6	
	9	I_MIPI_DATA0P_D10	MIPI data 2 positive signal / DVP data DATA10	
	10	I_MIPI_DATA0N_D11	MIPI data 3 negative signal / DVP data DATA11	
	11	GND	GND	
	12	ADC1_IN	ADC sampling signal	
	13	SENO_MCLK	Sensor clock input	
	14	GND	GND	

	15	SDA	I2C data line	
	16	SCL	I2C clock line	
	17	IRCUT_A	IRCUT_A	
	18	IRCUT_B	IRCUT_B	
	19	SENSOR_VS	DVP frame synchronization	
	20	SENSOR_HS	External synchronization trigger	
	21	SENO_PCLK	Sensor clock signal	
	22	PWM	PWM wave output	
	23	SPKN	speaker	
	24	SPKP	speaker	
	25	WLED_GPIO041	White light control signal	
	26	RLED_GPIO039	Infrared lamp control signal	
	27	YLED_GPIO093	Flash control signal	
	28	GND	GND	
	29	3V3	3.3V power	
	30	+5V	5V power	
J25	1	SPKN	speaker	speaker interface
	2	SPKP	speaker	