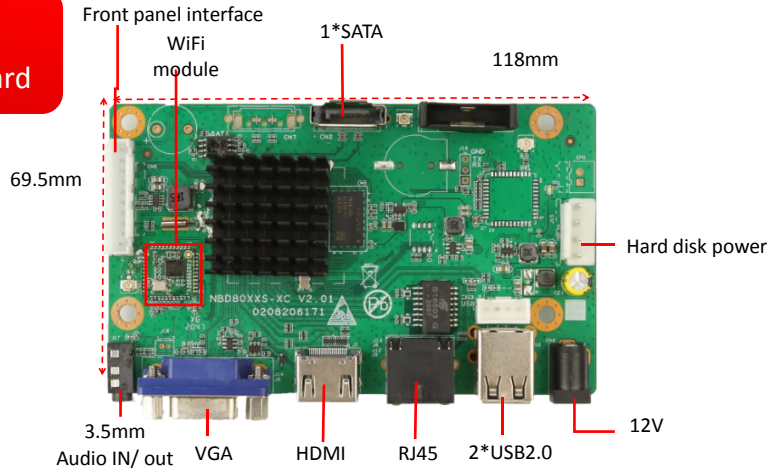


NBD80X08RA-QWG
8ch 3.0MP H.265 450Meters WiFi NVR Board

Feature:

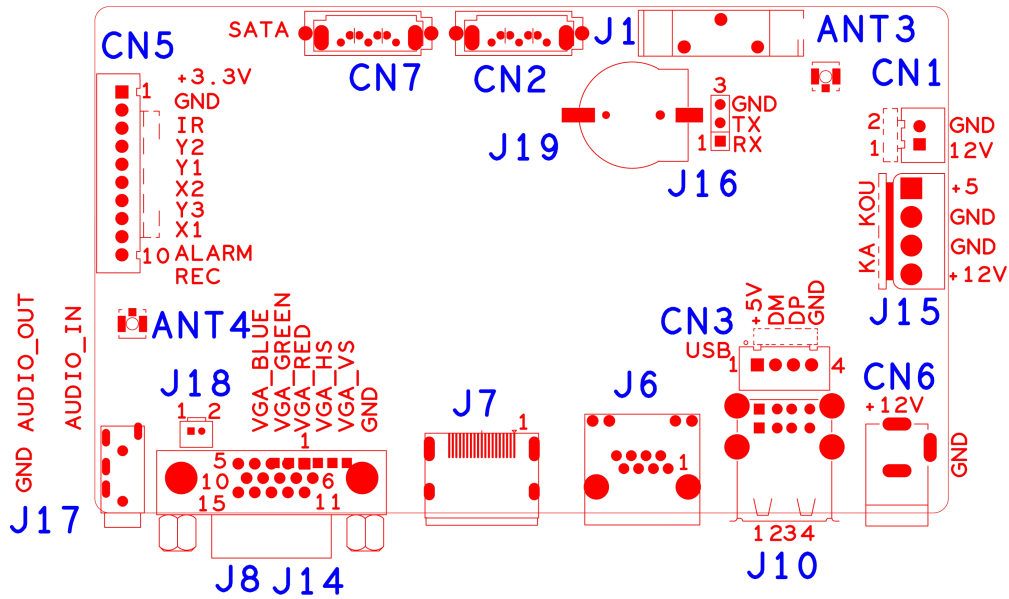
- Support access of multiple XM smart front-end devices with human detection and face detection function.
- Support HDMI /VGA HD output;
- Support ONVIF;access third party;
- Support web, CMS, center platform management software MYEYE, provide SDK development;
- Support multiple cloud technology, network penetration, alarm information pushed to your phone and other functions;
- Support multiple network services (support DHCP, FTP, DNS, DDNS, NTP, UPNP, EMAIL, IP searches, Alarm Center, etc.);
- Support GB28181 protocol access to third-party platforms.



Parameters:

Model: NBD80X08RA-QWG

	Model	NBD80X08RA-QWG
System	Main processor	XM8536D
	Operating System	Embedded Linux
	System resources	Simultaneous multi-channel real-time recording, playback, network operation, USB backup
Interface	Operator interface	16-bit true color graphic menu operation interface, support mouse operation
	Preview	1/2/4/6/8/9
Video	Video input (IP)	8*3M/ 4*5M
	Video compression	H.265A1/H.265+(compatible H.265/H.264)
	Display quality	Max:1920*1080
	Playback quality	5M/3M
	Decode	8*3M/ 4*5M
	VR	support
Audio	human shape / Face	Support(depend on camera)
	Audio compression	G.711A
Record & playback	Intercom	support
	Recording mode	Manual>Alarm>Dynamic Detection>Timing
	Local playback	8*3M/ 4*5M
	Search mode	Search by Time/Calendar/Event/Channel/Face
	Record storage	HDD、 Network
External interface	Backup mode	Network backup, USB hard disk, USB burner, SATA burner
	Video output	1ch VGA, 1ch HDMI HD output
	Audio I/O	1/1 (3.5mm)
	Alarm I/O	0/0
	Network interface	1*RJ45 10M/100M Adaptive Ethernet port
	USB interface	2*USB2.0 ports(one USB extension interface is reserved)
	HDD	1* SATA(Up to 14TB for each disk)
	ESATA	No
Other	Serial interface	No
	ONVIF	Support
	Power supply	12V/2A
	Power Consumption	<10W(Without HDD)
	Work environment	Temperature:0℃ - 55℃ , Humidity:10% - 90%RH , Atm:86kpa - 106kp
	Dimension	118mm*69.5mm
Weight	A total of about 74g	



sign	Function	Interface Description			
J1	Battery holder				
CN2	SATA				
CN7	SATA(reserved)				
CN5	10Pin front panel interface(1.25*10P)	1:+3.3	2:GND	3:IR	4:COL2
		5:COL1	6:ROW2	7:COL3	8:ROW1
		9:ALARM	10:REC		
J16	RS232				
J19	CR1220 battery holder compatible				
J15	SATA power extension socket	1:+5	2:GND	3:GND	4:+12
CN6	12V input				
J10	2*USB				
CN3	USB Extension interface	1:+5	2:USB_DM	3:USB_DP	4:GND
J6	RJ45				
J7	HDMI				
J8	VGA				
J14	VGA expansion interface (compatible)				
J18	Audio extension socket (compatible)				
J17	3.5mm Audio In/Output interface				
CN1	Fan seat	1:+12	2:GND		
ANT3	Antenna interface				
ANT4	Antenna interface				