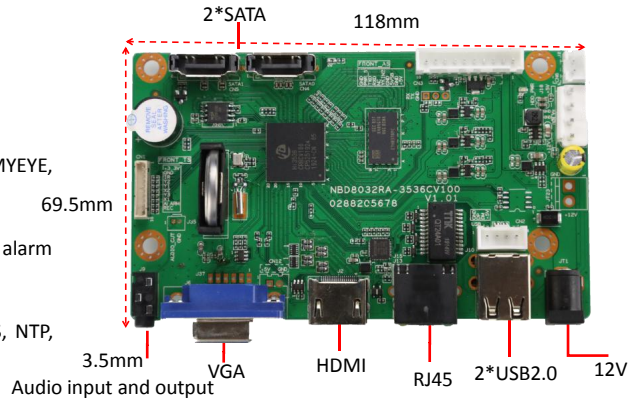


**NBD8032RA-UL-V2**

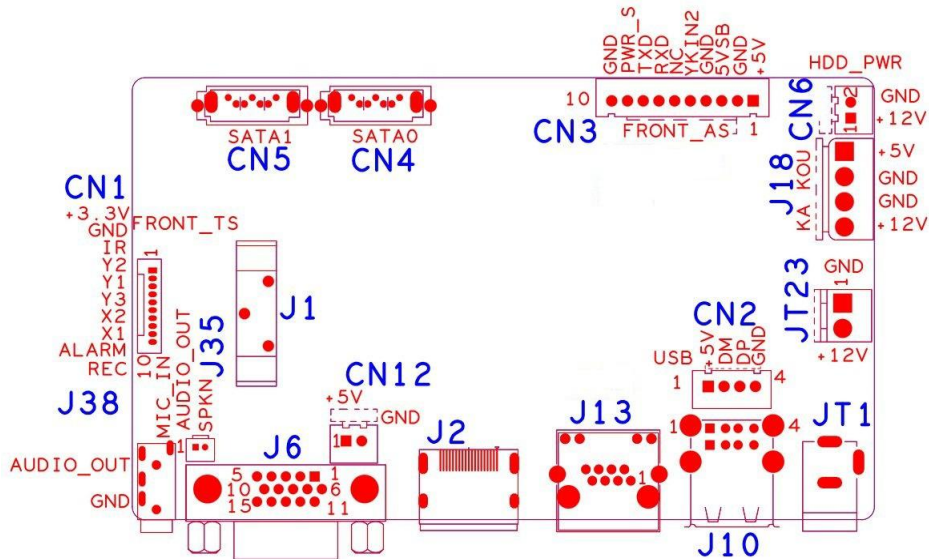
32ch 4K H.265 NVR Board

**Feature:**

- Support HDMI 4K output VGA HD output;
- Support ONVIF;access third party;
- Support web, CMS, center platform management software MYEYE, provide SDK development;
- Support multiple cloud technology, network penetration, alarm information pushed to your phone and other functions;
- Support multiple network services (support DHCP, FTP, DNS, DDNS, NTP, UPNP, EMAIL, IP searches, Alarm Center, etc.);


**Parameters:**
**Model:** NBD8032RA-UL-V2

	Model	NBD8032RA-UL-V2
System	Main processor	Hi3536C
	Operating System	Embedded Linux
	System resources	Simultaneous multi-channel real-time recording, playback, network operation, USB backup
Interface	Operator interface	16-bit true color graphic menu operation interface, support mouse operation
	Preview	1/2/4/6/8/9/16/25/32
Video	Video input (IP)	32*4K (Access bandwidth 240Mbps)
	Video compression	H.265A/H.265+(compatible H.265/H.264)
	Display quality	Max:4K
	Playback quality	4K/5M/4M/3M/1080P
	VR	Unsupport
Audio	Motion detection	Support(depend on camera)
	Audio compression	G.711A
Record & playback	Intercom	support
	Recording mode	Manual>Alarm>Dynamic Detection>Timing
	Local payback(real-time+Un real-time)	4K (1+2) /5M (2+3) /4M(2+5)/3M (3+6) /1080P (5+9)
	Search mode	Search by Time/Calendar/Event/Channel/Face
	Record storage	HDD、 Network
External interface	Backup mode	Network backup, USB hard disk, USB burner, SATA burner
	Video output	1ch VGA, 1ch HDMI HD output
	Audio I/O	1/1 (3.5MM)
	Alarm I/O	0/0
	Network interface	1*RJ45 10M/100M/1000M Adaptive Ethernet port
	USB interface	2*USB2.0 ports
	HDD	2 SATA(Up to 14TB for each disk)
	ESATA	No
Other	Serial interface	No
	ONVIF	Support
	Power supply	12V/4A
	Power Consumption	<10W(Without HDD)
	Work environment	Temperature:0℃ —55℃ , Humidity:10%—90%RH , Atm:86kpa—106kp
	Dimension	118mm*69.5mm
Weight	A total of about 63g	



Sign	Function	Interface Description			
CN1	Expansion socket without MCU front panel (1.25*10P)	1:+3.3	2:GND	3:IR	4:COL2
		5:COL1	6:ROW2	7:COL3	8:ROW1
		9:ALARM	10:REC		
CN5	SATA				
CN4	SATA				
CN3	Expansion base with MCU front panel	1:+5	2:GND	3:+5_STB	4:GND
		5:NC	6:NC	7:RXD_FRONT	8:TX_FRONT
		9:PWR_S	10:GND		
CN6	Fan power holder	1:+12	2:GND		
J18	Hard disk power socket	1:+5	2:GND	3:GND	4:+12
JT23	12V input (reserved for POE expansion)				
JT1	12V input				
J10	2*USB				
CN2	USB Extension interface(Scalable 3G WIFI)				
J13	RJ45				
J2	HDMI				
J6	VGA				
CN12	5V output 2PIN extension (reserved)				
J35	Speaker extension (reserved, can be connected to speakers)				
J9	Audio 3.5mm input and output interface				
J1	CR2032 Battery holder				