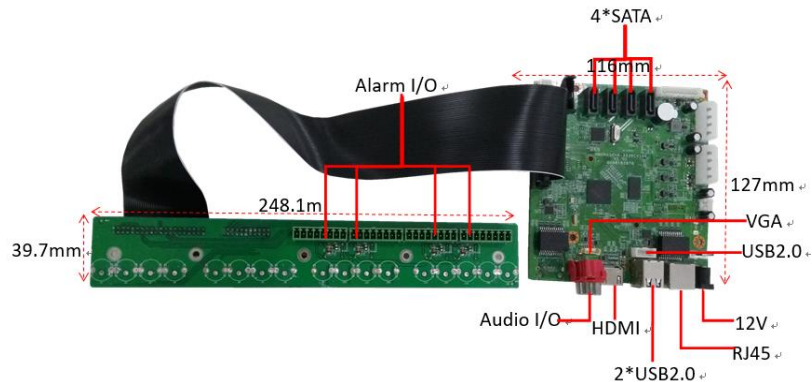


NBD8032H4-UL

32ch 5.0MP 4sata NVR board

Features:

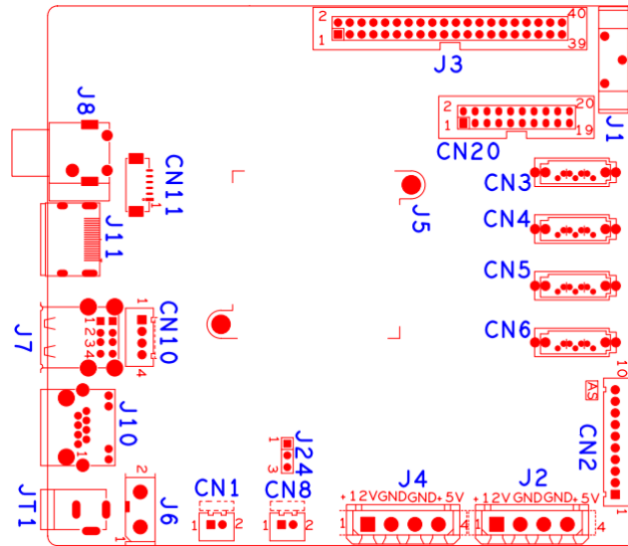
- Support web, CMS, center platform management software MYEYE, provide SDK development;
- Support multiple cloud technology, network penetration, alarm information pushed to your phone and other functions;
- Support multiple network services (support DHCP, FTP, DNS, DDNS, NTP, UPNP, EMAIL, 3G,WIFI,IP searches etc.);
- Visit remotely,built-in ARSP,achieve start up by one step


Technical Parameters:

Model: NBD8032H4-UL

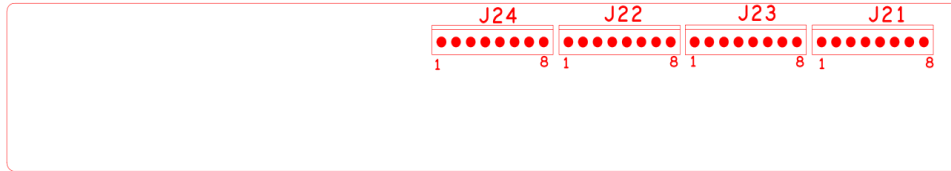
	Model	NBD8032H4-UL
System	Main processor	Hi3536C
	Operating System	Embedded Linux
	System resources	Simultaneous multi-channel real-time recording, playback, network operation, USB backup
Interface	Operator interface	16-bit true color graphic menu operation interface, support mouse operation
	Preview	1/4/8/16/24/32
Video	Video input (IP)	8*4K/32*5M/32*1080P
	Access bandwidth	384Mbps
	Forwarding bandwidth	307Mbps
	Video compression	H.265/H.264
	Display quality	Max:4K
	Playback quality	4K/5M/1080P
	Decode	1*4K/2*5M/4*1080P
	VR	Unsupport
Audio	Motion detection	Support(depend on camera)
	Audio compression	G.711A
Record & playback	Intercom	support
	Recording mode	Manual>Alarm>Dynamic Detection>Timing
	Local playback	1*4K/2*5M/4*1080P
	Search mode	Search by Time/Calendar/Event/Channel
	Record storage	HDD、 Network
External interface	Backup mode	Network backup, USB hard disk, USB burner, SATA burner
	Video output	HDMI 4K output , Extension 1ch VGA HD output
	Audio I/O	1/1
	Alarm I/O	16/4
	Network interface	1*RJ45 10M/100M/1000M Adaptive Ethernet port
	USB interface	2*USB2.0 ports
	HDD	4* SATA(Up to 8TB for each disk)
	ESATA	No
Other	Serial interface	1*RS485, 1*RS232
	ONVIF	Support
	Power supply	12V/6A
	Power Consumption	<10W(Without HDD)
	Work environment	Temperature:0°C - +55°C , Humidity:10% - 90%RH , Atm:86kpa - 106kpa
	Dimension	127mm*116mm+ 248.1mm*39.7mm
Weight	198g	

Interface Description



sign	Function	Interface Description			
CN1	Power Supply of Heat Dissipating Fan	1: +12	2: GND		
CN8	Power Supply of Heat Dissipating Fan	1: +12	2: GND		
CN3	SATA				
CN4	SATA				
CN5	SATA				
CN6	SATA				
CN10	USB Extende				
CN2	Front panel extension interface	1: +5V	2: GND	3: +5_STB	4:GND
		5:NC	6:NC	7:RXD_FRONT	8:TXD_FRONT
		9:PWR_S	10:GND		
J2	Hard Disk Power Seat	1: +12	2: GND	3:GND	4:+5
J4	Hard Disk Power Seat	1: +12	2: GND	3:GND	4:+5
J6	12V Power switch				
JT1	12V power input interface				
J24	RS232				
J7	USB2.0				
CN11	VGA Extende				
J11	HDMI				
J10	RJ45				
J8	Audio I/O	white: AUDIO_LINE_IN1	red: AUDIO_OUT_MAIN		
J5	Heat sink				
J1	Battery seat				
CN20	Alarm I/O	1:NC	2:5V	3:GND	4:5V
		5:NC	6:5V	7:NC	8:NC
		9:GND	10:GND	11:NC	12:NC
		13:NC	14:NC	15:NC	16:ALARM_IN1
		17:ALARM_IN4	18:ALARM_IN2	19:ALOUT1	20:ALARM_IN3
J3	Alarm I/O、RS232、RS485 Extende	1: NC	2:NC	3:NC	4:GND
		5:NC	6:NC	7:GND	8:NC
		9:NC	10:GND	11:NC	12:NC

		13:GND	14:ALOUT4	15:ALOUT2	16:GND
		17:ALOUT3	18:ALARMIN_16	19:GND	20:RS232_R
		21:RS232_T	22:GND	23:RS485_B	24:RS485_A
		25:GND	26:ALARM_IN10	27:ALARM_IN9	28:ALARM_IN11
		29:ALARM_IN8	30:ALARM_IN12	31:GND	32:GND
		33:ALARM_IN5	34:ALARM_IN13	35:ALARM_IN6	36:ALARM_IN14
		37:ALARM_IN7	38:ALARM_IN15	39:GND	40:GND



sign	Function	Interface Description			
J24	Alarm	1:ALARM_IN16	2:GND	3:ALARMOUT3_C	4:ALARMOUT3_NO
		5:ALARMOUT4_C	6:ALARMOUT4_NO	7:RS485_A	8:RS485_B
J22	Alarm	1:ALARM_IN9	2:ALARM_IN10	3:ALARM_IN11	4:ALARM_IN12
		5:GND	6:ALARM_IN13	7:ALARM_IN14	8:ALARM_IN15
J23	Alarm	1:ALARM_IN8	2:GND	3:ALARMOUT1_C	4:ALARMOUT1_NO
		5:ALARMOUT2_C	6:ALARMOUT2_NO	7:RS232_R	8:RS232_T
J21	Alarm	1:ALARM_IN1	2:ALARM_IN2	3:ALARM_IN3	4:ALARM_IN4
		5:GND	6:ALARM_IN5	7:ALARM_IN6	8:ALARM_IN7
J20	Alarm I/O、RS232、RS485 Extende	1:NC	2:NC	3:NC	4:GND
		5:NC	6:NC	7:GND	8:NC
		9:NC	10:GND	11:NC	12:NC
		13:GND	14:ALOUT4	15:ALOUT2	16:GND
		17:ALOUT3	18:ALARMIN_16	19:GND	20:RS232_R
		21:RS232_T	22:GND	23:RS485_B	24:RS485_A
		25:GND	26:ALARM_IN10	27:ALARM_IN9	28:ALARM_IN11
		29:ALARM_IN8	30:ALARM_IN12	31:GND	32:GND
		33:ALARM_IN5	34:ALARM_IN13	35:ALARM_IN6	36:ALARM_IN14
		37:ALARM_IN7	38:ALARM_IN15	39:GND	40:GND
CN20	Alarm I/O Extende	1:NC	2:5V	3:GND	4:5V
		5:NC	6:5V	7:NC	8:NC
		9:GND	10:GND	11:NC	12:NC
		13:NC	14:NC	15:NC	16:ALARM_IN1
		17:ALARM_IN4	18:ALARM_IN2	19:ALOUT1	20:ALARM_IN3