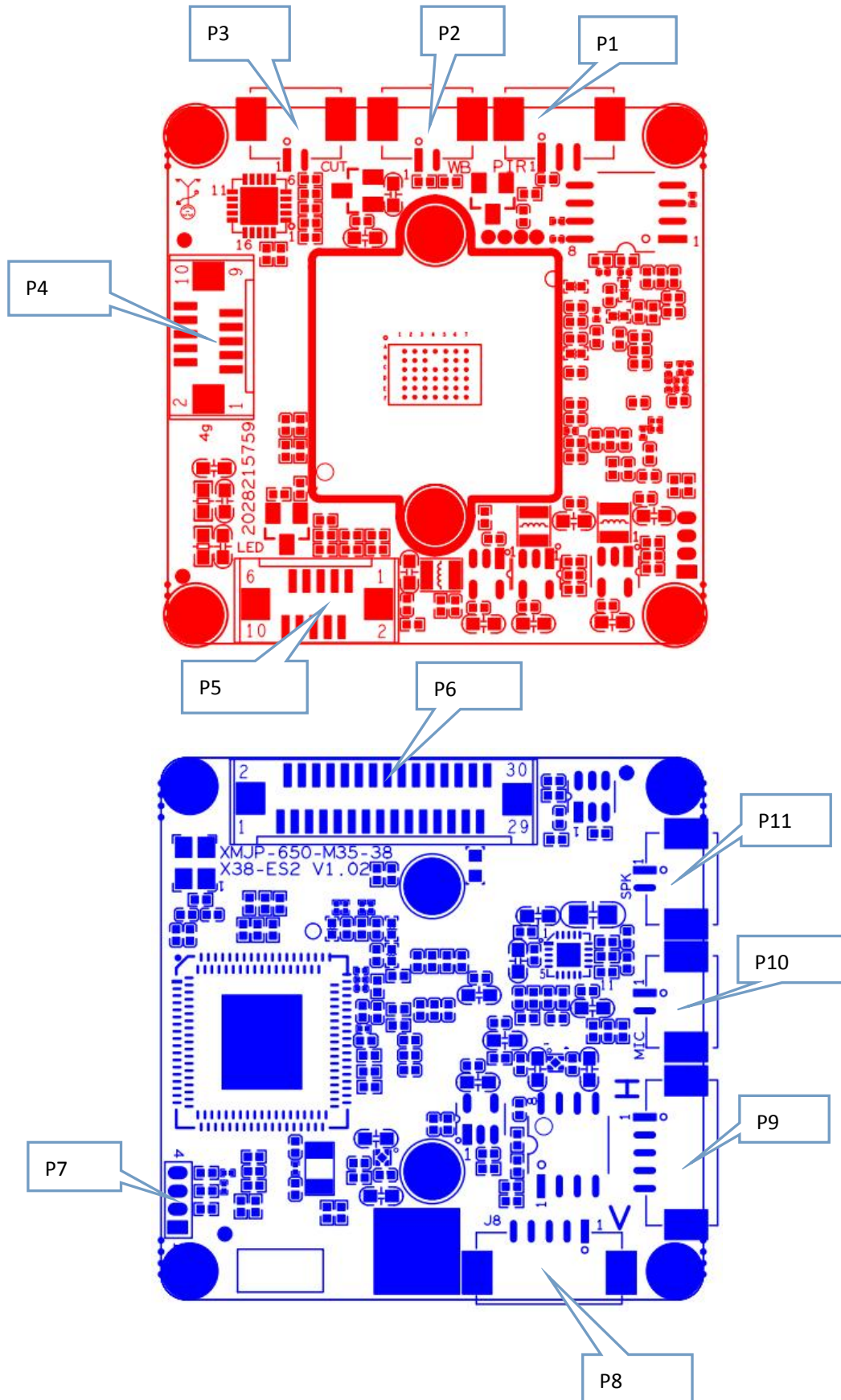


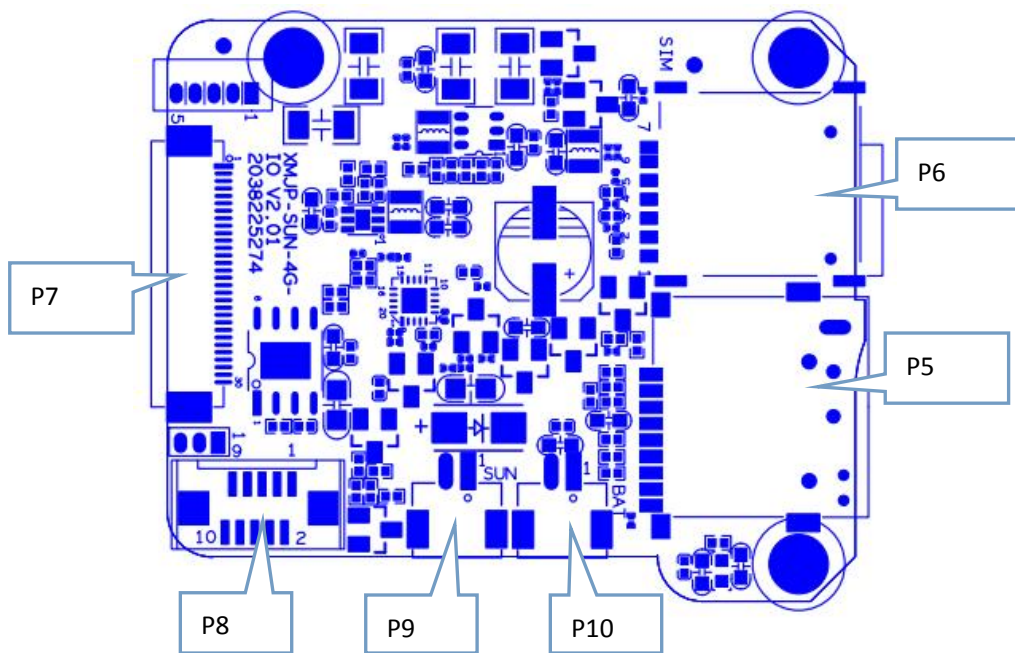
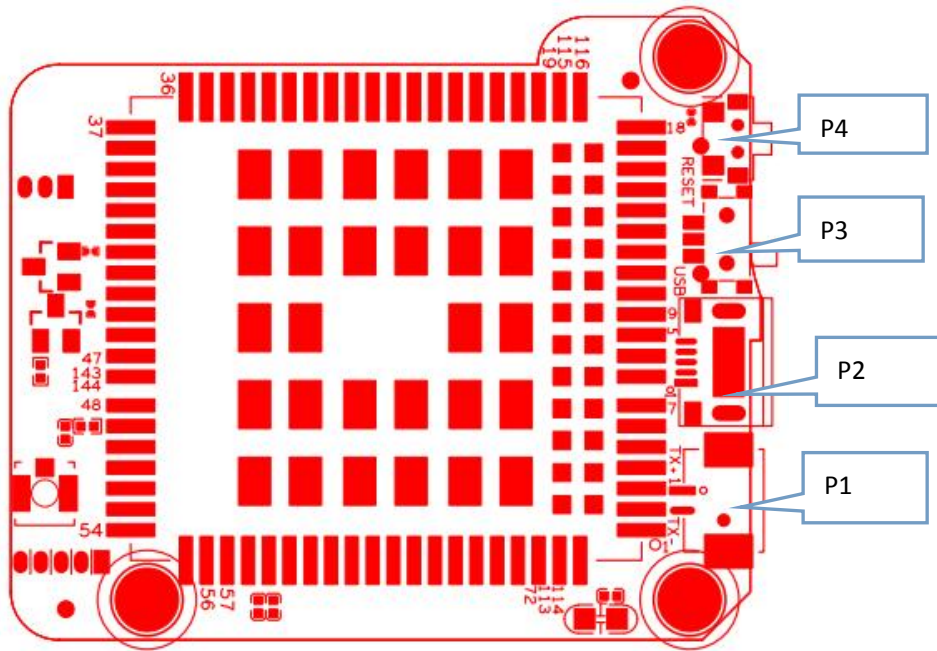
### LPG-X3-4GQUS Interface description



sign	Socket	Specific No	Interface Description	Function
P1	J1	1	+3.3V_PIR	3.3V pir power supply
		2	GND	GND
		3	PIR_IN	PIR signal
P2	J10	1	WB_IN	microwave signal
		2	+5V_BQ	4.2v power supply
P3	J9	1	OUT1	ICR signal
		2	OUT2	ICR signal
P4	J11	1	USB_DP	USB signal
		2	USB_DM	USB signal
		3	GND	GND
		4	UART1_RXD	Main control serial port signal
		5	UART1_TXD	Main control serial port signal
		6	GND	GND
		7	TPRX-	Network port signal
		8	TPRX+	Network port signal
		9	TPTX-	Network port signal
		10	TPTX+	Network port signal
P5	J3	1	GND	GND
		2	+5V_BQ	4.2V power supply
		3	3V3	3.3V power supply
		4	3V3	3.3V power supply
		5	GND	GND
		6	GPI006	White light signal is highly effective
		7	LED_EN	Infrared lamp switch signal high effective
		8	ADC_IN	Photosensitive signal
		9	MCU_LED1	Blue LED indicator
		10	MCU_LED2	Red LED indicator
P6	J4	1	WIFI_CLK	WiFi clock
		2	GND	GND
		3	WIFI_CMD	WiFi command
		4	WIFI_DATA0	WiFi signal
		5	GND	GND
		6	PWR_HOLD	Power enable
		7	PIR_IN	PIR signal
		8	GND	GND

		9	CARD_DETECT	SD card detection
		10	/	/
		11	SD0_DATA3	SD card data
		12	SD0_DATA0	SD card data
		13	SD0_DATA1	SD card data
		14	SD0_DATA2	SD card data
		15	SD0_CMD	SD card command
		16	SD0_CLK	SD card clock output signal
		17	GND	GND
		18	SD1_HOST_INT0	WiFi interrupt signal
		19	MCU_LED1	Blue LED
		20	MCU_LED2	Red LED
		21	SW_ON/OFF	Master control reset signal
		22	GND	GND
		23	WB_IN	microwave signal
		24	GND	GND
		25	3V3	3.3V power supply
		26	+5V_LI	Battery power supply 3.3V-4.2V
		27	GND	GND
		28	GND	GND
		29	+5V_BQ	4.2V power supply
		30	+5V_BQ	4.2V power supply
P7	J5	1	GND	GND
		2	UART0_TXD	Serial port
		3	UART0_RXD	Serial port
		4	BOOTSEL0	Configuration signal
P8	J8	1	+5V_M2	Vertical motor supply 4.2v
		2	V_MOT08	Vertical motor signal
		3	V_MOT07	Vertical motor signal
		4	V_MOT06	Vertical motor signal
		5	V_MOT05	Vertical motor signal
P9	J2	1	+5V_M1	Horizontal motor supply 4.2v
		2	4C	Horizontal motor signal
		3	3C	Horizontal motor signal
		4	2C	Horizontal motor signal

		5	1C	Horizontal motor signal
P10	J7	1	MICN	Mic negative
		2	MICP	Mic positive
P11	J6	1	VOP	Horn signal positive
		2	VON	Horn signal negative



sign	Socket	Specific No	Interface Description	Function
P1	J17	1	TPTX+	Network port signal
		2	TPTX-	Network port signal
P2	J7	1		Micro USB interface
P3	J2	1	Toggle switch	On off function
P4	K1	1	switch	Switch wake-up and reset key low level is effective
P5	J9	1	SD0_DATA2	SD card data
		2	SD0_DATA3	SD card data
		3	SD0_CMD	control command
		4	+3.3VSD	3.3V power supply
		5	SD0_CLK	Clock signal output
		6	GND	GND
		7	SD0_DATA0	SD card data
		8	SD0_DATA1	SD card data
		9	CARD_DECT	SD card detection
P6	J14	1	USIM_CLK	Clock signal output
		2	USIM_DATA	SIM card data
		3	USIM_RST	SIM card reset
		4	/	/
		5	USIM_VDD	SIM card power supply
		6	GND	GND
		7	USIM_DETE	SIM card detection
P7	J4	1	/	/
		2	GND	GND
		3	/	/
		4	/	/
		5	GND	GND
		6	PWR_HOLD	Power enable
		7	PIR_IN	PIR signal
		8	GND	GND
		9	CARD_DETECT	SD card detection
		10	/	/
		11	SD0_DATA3	SD card data
		12	SD0_DATA0	SD card data
		13	SD0_DATA1	SD card data
		14	SD0_DATA2	SD card data
		15	SD0_CMD	SD card command
		16	SD0_CLK	SD card clock output

				signal
		17	GND	GND
		18	/	/
		19	MCU_LED1	Blue LED indicator
		20	MCU_LED2	Red LED indicator
		21	SW_ON/OFF	Master control reset signal
		22	GND	GND
		23	EXT_RSTN	microwave signal
		24	GND	GND
		25	3V3	3.3V power supply
		26	+5V_LI	Battery power supply 3.3V-4.2V
		27	GND	GND
		28	GND	GND
		29	+5V_BQ	4.2V power supply
		30	+5V_BQ	4.2V power supply
P8	J15	1	TPTX+	Network port signal
		2	TPTX-	Network port signal
		3	TPRX+	Network port signal
		4	TPRX-	Network port signal
P8	J15	5	GND	GND
		6	UART1_TXD	Serial port
		7	UART1_RXD	Serial port
		8	GND	GND
		9	USB_DN	USB signal
		10	USB_DP	USB signal
P9	J10	1	5V_SY	5V voltage stabilizing input
		2	+5V	Solar energy input
P10	J6	1	GND	GND
		2	+5V_LI	Battery power supply 3.3V-4.2V