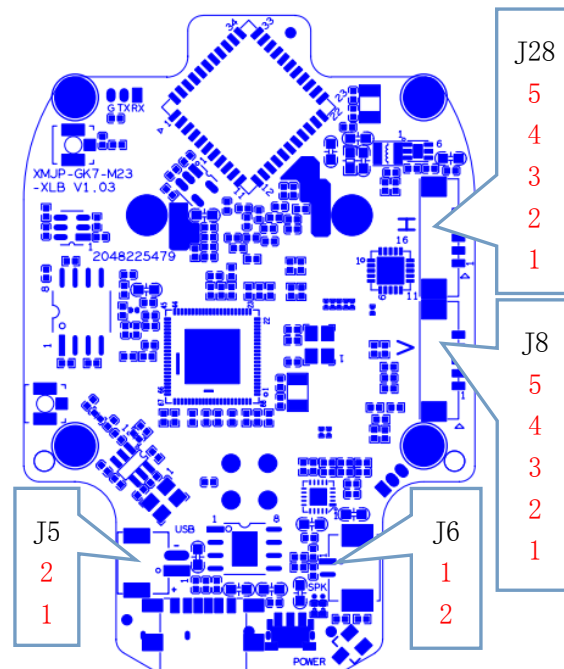
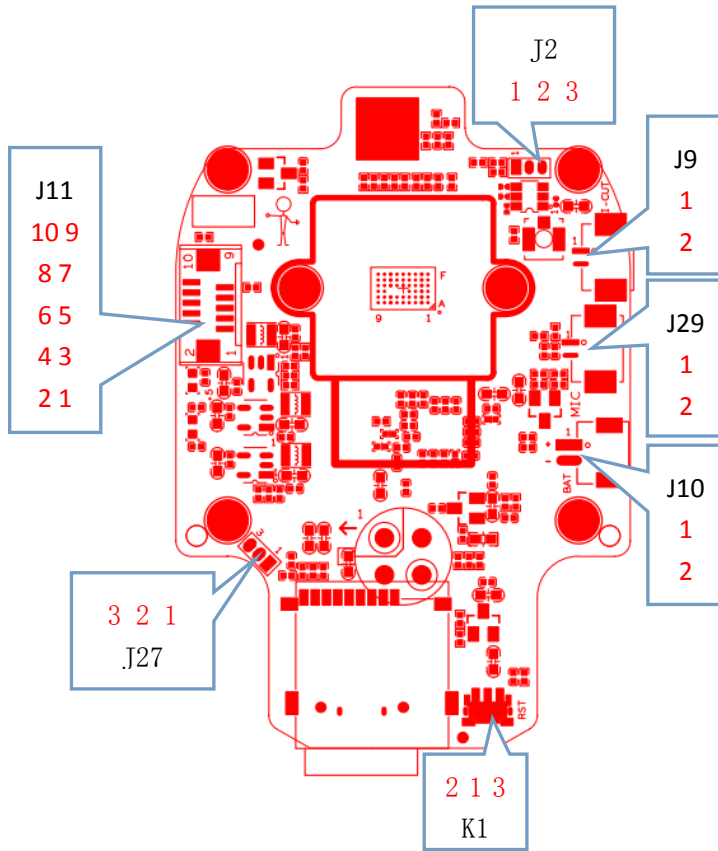


LPG-G2-Q-MD Interface description



Socket	Specific No	Interface Description	Function
J11	1	+5V_BQ	+5V Power Supply
	2	+5V_BQ	+5V Power Supply
	3	3V3	3.3V
	4	GND	GND
	5	GND	GND
	6	GPIO50	White light signal
	7	RLED_EN	Infrared signal
	8	ADC_IN	Photosensitive signal
	9	MCU_LED1	Blue light distribution network indicator
	10	MCU_LED2	Red low battery indicator
J9	1	OUT1	IRCUT signal
	2	OUT2	IRCUT signal
J29	1	MIC_N	MIC signal
	2	MIC_P	MIC signal
J10	1	+5V_LI	+5V battery
	2	GND	GND
K1	1	SW_ON/OFF	SET KEY
	2	GND	GND
	3	GND	GND
	4	GND	GND
	5	GND	GND
	6	GND	GND
	7	GND	GND
J5	1	+5V_USB	+5V USB power supply
	2	GND	GND
J28	1	+5V_M2	Horizontal motor power supply
	2	4C	Horizontal motor signal
	3	3C	
	4	2C	
	5	1C	
J8	1	+5V_M1	Vertical motor power supply
	2	V_MOTO8	Vertical motor signal
	3	V_MOTO7	
	4	V_MOTO6	
	5	V_MOTO5	
J6	1	Horn signal	Horn signal
	2	Horn signal	Horn signal
J2	1	UART_RXD	Serial port receiving
	2	UART_TXD	Serial port sending
	3	GND	GND
J27	1	UART_RXD	Serial port receiving

	2	UART_TXD	Serial port sending
	3	GND	GND