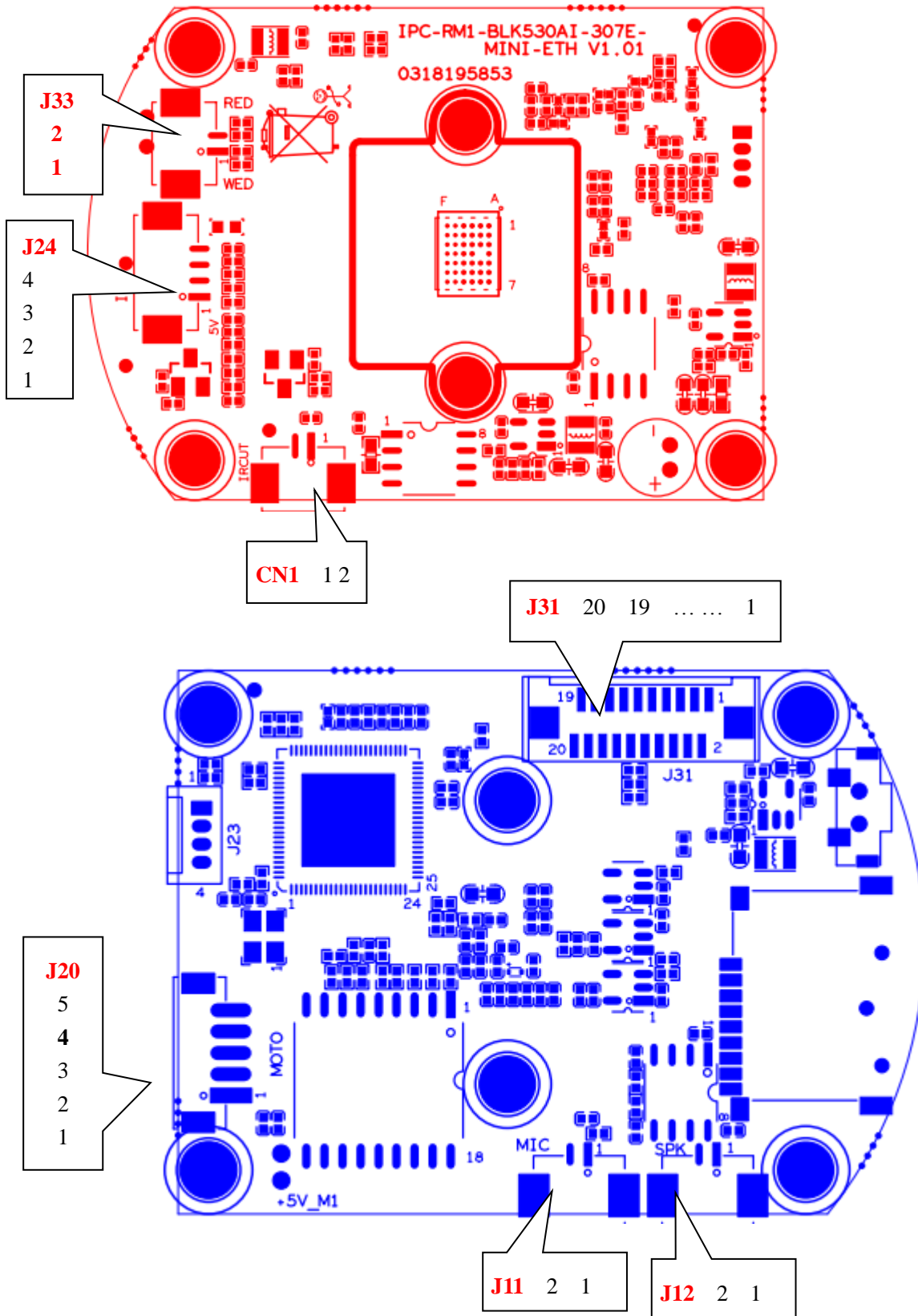


IPC-RM1-BLK530AI-307E-MINI-ETH-V1\_01

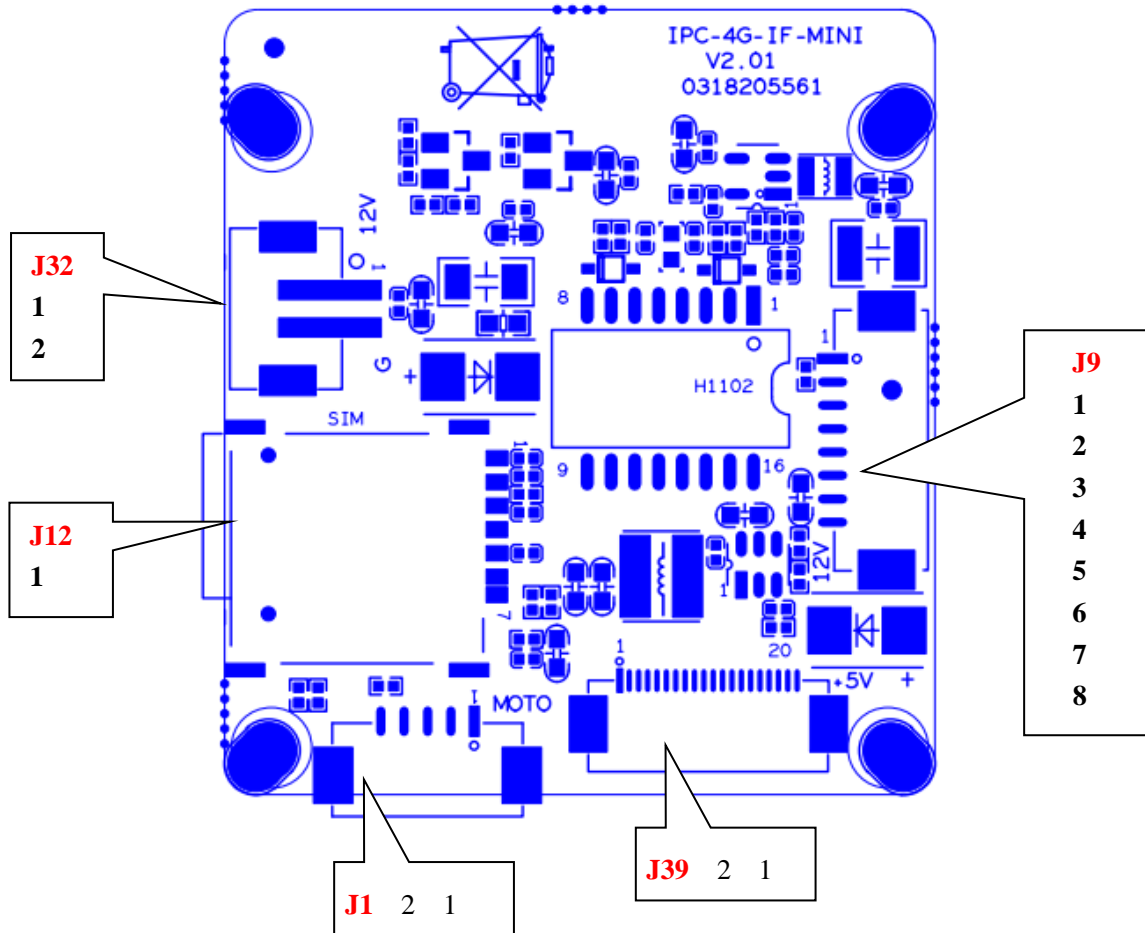


详细定义

Socket	Specific No	Interface Description	Function
CN1	1	IRCUTA	IRCUT Interface
	2	IRCUTB	
J24	1	5V	5V power supply for lamp panel
	2	GND	GND
	3	ADC1_IN	CDS Photosensitive signal
	4	GPIO091	reserve
J12	1	SPKN	loudspeaker
	2	SPKP	
J20	1	+5V_M1	5V power supply for motor
	2	OUT8	Vertical motor control
	3	OUT7	
	4	OUT6	
	5	OUT5	
J11	1	MIC_G	MIC
	2	MIC_IN	
J33	1	WED_GPIO041	White light signal
	2	RED_GPIO039	Red light signal
J31	1...4	OUT1-OUT4	Horizontal motor control
	5,7,11,14,17	GND	GND
	6	KEY_SET	Reset signal
	8,9,10	Wifi	Wif data line
	12,13,15,16	ETH	ETH signal line

	18	1V8	1.8V
	19,20	+5V	5V

IPC-4G-IF-MINI-V2\_01



Socket	Specific No	Interface Description	Function
J32	1	12V	Lamp board interface
	2	GND	
J12	1	SIM	SIM card slot
J1	1	+5V	motor drive
	2	OUT1	
	3	OUT2	

	4	OUT3	
	5	OUT4	
J9	1	KEY_SET	Reset
	2	LED	Network port indicator light (false) always on
	3	ETHTX+	Network port signal
	4	ETHTX-	
	5	ETHRX+	
	6	ETHRX-	
	7	GND	GND
	8	+12V	12V
J39	1...4	OUT1-OUT4	Horizontal motor control
	5,7,11,14,17	GND	GND
	6	KEY_SET	Reset
	8,9,10	Wifi	Wif data line
	12,13,15,16	ETH	ETH signal line
	18	1V8	1.8V
	19,20	+5V	5V