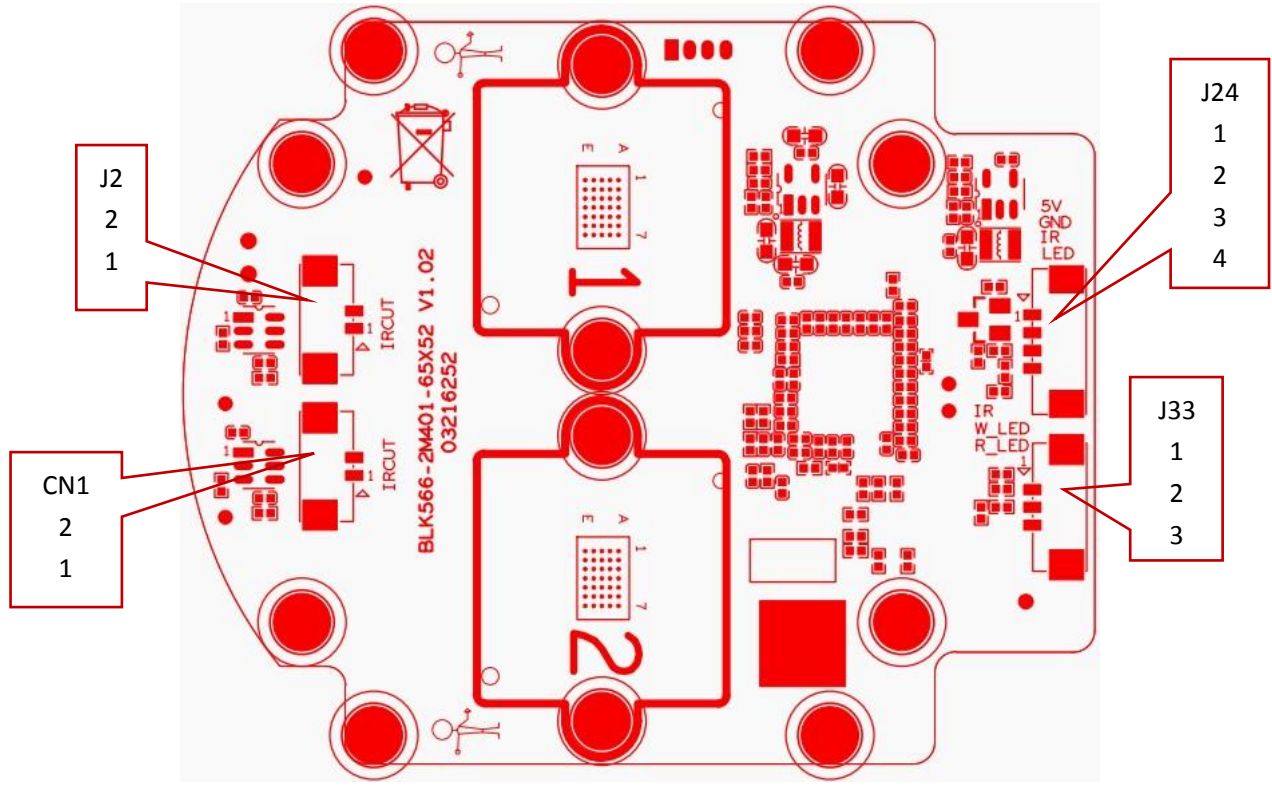
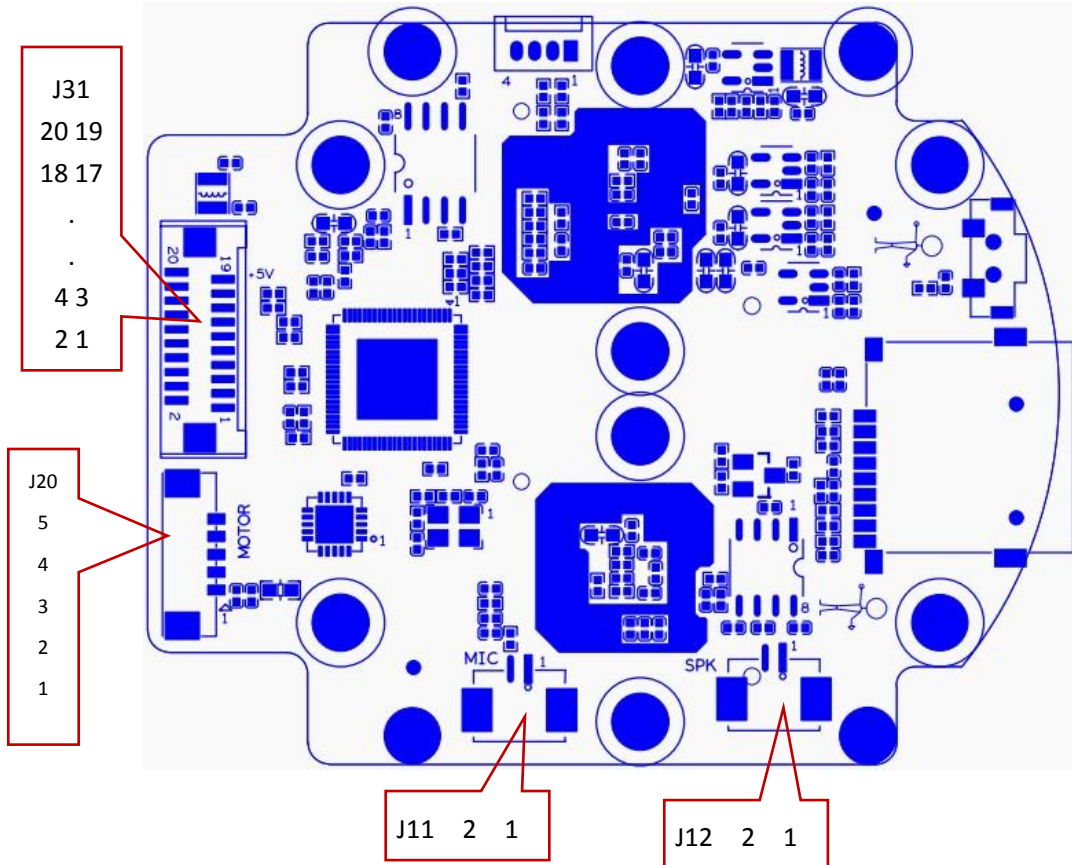


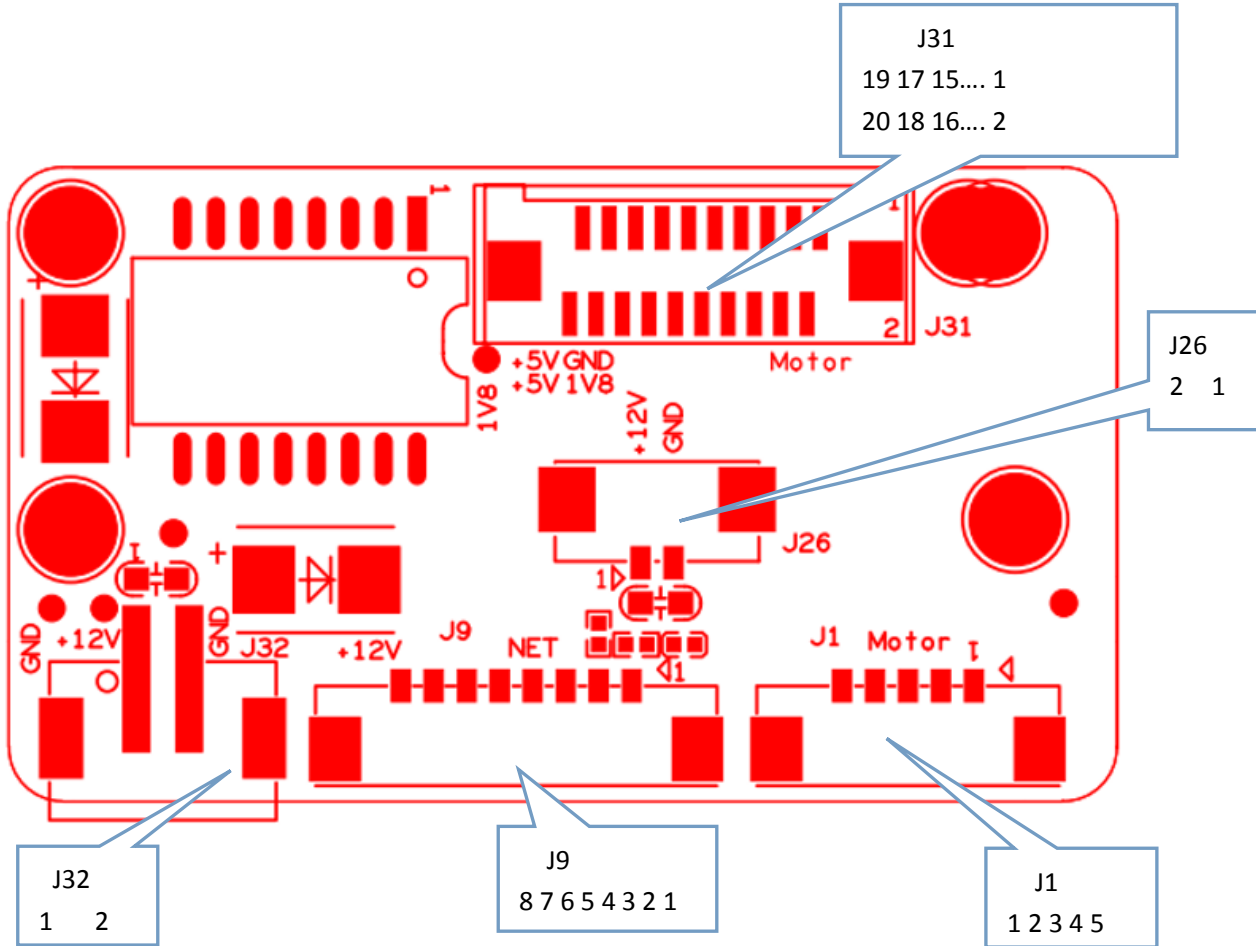
**IPG-N4-WQ2-M**

**Interface description**



Socket	Specific No	Interface Description	Function
J31	1	OUT1	Horizontal motor
	2	OUT2	
	3	OUT3	
	4	OUT4	
	5	GND	GND
	6	KEY_SET	RESET
	7	GND	GND
	8	WIFI_PDN	WiFi
	9	WIFI_DN	
	10	WIFI_DP	
	11	GND	GND
	12	TPTX-	wired
	13	TPTX+	
	14	GND	GND
	15	TPRX+	wired
	16	TPRX-	
	17	GND	GND
	18	/	
	19	5V	Power Supply
	20	5V	
2	OUT4		
3	OUT3		
4	OUT2		
5	OUT1		
J20	1	+5V_M1	Vertical motor interface
	2	OUT8	
	3	OUT7	
	4	OUT6	
	5	OUT5	
J12	1	SPKN	SPK
	2	SPKP	
J11	1	GND	MIC
	2	MIC_INP	
J2	1	OUT1	ICUT
	2	OUT2	
CN1	1	OUT1	ICUT
	2	OUT2	
J24	1	5V	Power Supply
	2	GND	GND
	3	IR	Infrared signal input

	4	LED	LED control
J33	1	IR	Infrared signal input
	2	WLED	White light enable
	3	RLED	Infrared enable



Socket	Specific No	Interface Description	Function
J31	1	OUT1	Motor signal
	2	OUT2	Motor signal
	3	OUT3	Motor signal
	4	OUT4	Motor signal
	5	GND	GND
	6	KEY_SET	Reset button
	7	GND	GND

	8	WIFI_PDN	WiFi power control signal
	9	WIFI_DN	USB negative
	10	WIFI_DP	USB positive
	11	GND	GND
	12	TPTX-	Network port transmission
	13	TPTX+	Network port transmission
	14	GND	GND
	15	TPRX+	Network port receiving signal
	16	TPRX-	Network port receiving signal
	17	GND	GND
	18	1V8	1V8 Power Supply
	19	+5V	5V Power Supply
	20	+5V	5V Power Supply
J1	1	+5V	5V Power Supply
	2	OUT1	Horizontal motor signal
	3	OUT2	Horizontal motor signal
	4	OUT3	Horizontal motor signal
	5	OUT4	Horizontal motor signal
J9	1	KEY_SET	Reset button
	2	Led	Network port light signal
	3	ETHTX+	Network transformer transmission signal line
	4	ETHTX-	Network transformer transmission signal line
	5	ETHRX+	Network transformer receiving signal line
	6	ETHRX-	Network transformer receiving signal line
	7	GND	GND
	8	12V	12V Power Supply
J32	1	12V	12V Power Supply
	2	GND	GND
J26	1	12V	12V Power Supply
	2	GND	GND