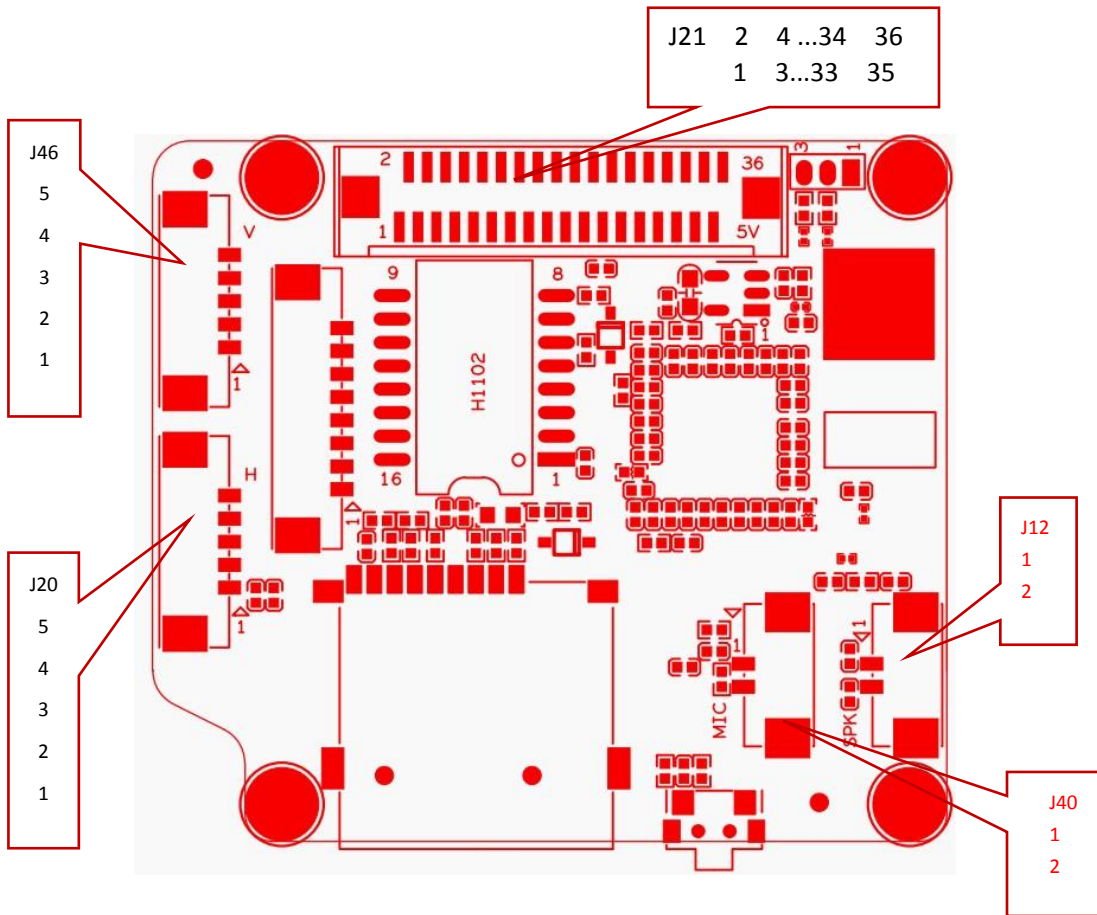
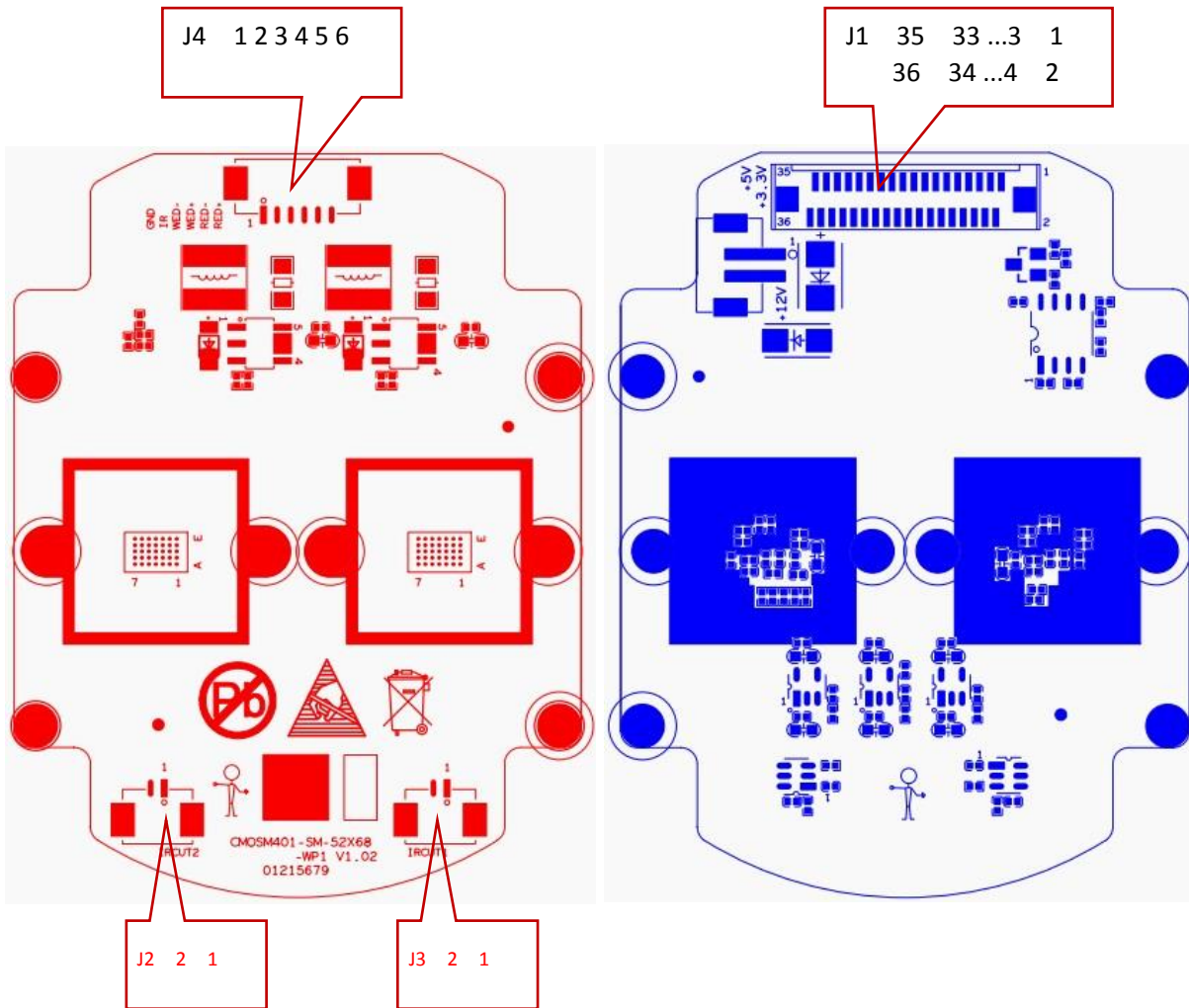


IPG-N2-WQ2
Interface description


| Socket | Specific No | Interface Description | Function |
|--------|-------------|-----------------------|--------------|
| J21 | 1 | GND | GND |
| | 2 | SEN_CLK1P | clock signal |
| | 3 | SEN_CLK1N | |
| | 4 | GND | |
| | 5 | SEN_D2P | data signal |
| | 6 | SEN_D2N | |
| | 7 | GND | GND |
| | 8 | SEN_D3P | data signal |
| | 9 | SEN_D3N | |
| | 10 | GND | GND |
| | 11 | SEN1_MCLK | Master clock |
| | 12 | GND | GND |
| | 13 | SCL | IIC |
| | 14 | SDA | |

| | | | |
|-----|----|-----------|----------------------------|
| | 15 | GND | GND |
| | 16 | SEN_CLK0P | clock signal |
| | 17 | SEN_CLK0N | |
| | 18 | GND | GND |
| | 19 | SEN_D0P | data signal |
| | 20 | SEN_D0N | |
| | 21 | GND | GND |
| | 22 | SEN_D1P | data signal |
| | 23 | SEN_D1N | |
| | 24 | GND | GND |
| | 25 | SEN0_MCLK | Master clock |
| | 26 | GND | GND |
| | 27 | IRCUT_A | ICUT control signal |
| | 28 | W_LED | White light enable |
| | 29 | R_LED | Infrared lamp enable |
| | 30 | LED | Reserved IO |
| | 31 | ADC1_IN | Infrared signal |
| | 32 | GND | GND |
| | 33 | 3V3 | 3.3V Power Supply |
| | 34 | 3V3 | |
| | 35 | 5V | 5V Power Supply |
| | 36 | 5V | |
| J46 | 1 | +5V_M2 | Vertical motor interface |
| | 2 | OUT4 | |
| | 3 | OUT3 | |
| | 4 | OUT2 | |
| | 5 | OUT1 | |
| J20 | 1 | +5V_M1 | Horizontal motor interface |
| | 2 | OUT8 | |
| | 3 | OUT7 | |
| | 4 | OUT6 | |
| | 5 | OUT5 | |
| J12 | 1 | SPKN | SPK |
| | 2 | SPKP | |
| J40 | 1 | GND | MIC |
| | 2 | MIC_INP | |



| Socket | Specific No | Interface Description | Function |
|--------|-------------|-----------------------|--------------|
| J1 | 1 | GND | GND |
| | 2 | SEN_CLK1P | clock signal |
| | 3 | SEN_CLK1N | |
| | 4 | GND | GND |
| | 5 | SEN_D2P | data signal |
| | 6 | SEN_D2N | |
| | 7 | GND | GND |
| | 8 | SEN_D3P | data signal |
| | 9 | SEN_D3N | |
| | 10 | GND | GND |
| | 11 | SEN1_MCLK | Master clock |
| | 12 | GND | GND |
| | 13 | SCL | IIC |
| | 14 | SDA | |

| | | | |
|----|----|-----------|------------------------|
| | 15 | GND | GND |
| | 16 | SEN_CLK0P | clock signal |
| | 17 | SEN_CLK0N | |
| | 18 | GND | GND |
| | 19 | SEN_D0P | data signal |
| | 20 | SEN_D0N | |
| | 21 | GND | GND |
| | 22 | SEN_D1P | data signal |
| | 23 | SEN_D1N | |
| | 24 | GND | GND |
| | 25 | SEN0_MCLK | Master clock |
| | 26 | GND | GND |
| | 27 | IRCUT_A | ICUT control signal |
| | 28 | W_LED | White light enable |
| | 29 | R_LED | Infrared lamp enable |
| | 30 | LED | Reserved IO |
| | 31 | ADC1_IN | Infrared signal |
| | 32 | GND | GND |
| | 33 | 3V3 | 3.3V Power Supply |
| | 34 | 3V3 | |
| | 35 | 5V | 5V Power Supply |
| | 36 | 5V | |
| | 2 | OUT8 | |
| | 3 | OUT7 | |
| | 4 | OUT6 | |
| | 5 | OUT5 | |
| J2 | 1 | OUT1 | ICUT Interface |
| | 2 | OUT2 | |
| J3 | 1 | OUT1 | ICUT Interface |
| | 2 | OUT2 | |
| J4 | 1 | GND | GND |
| | 2 | IR- | Photosensitive signal |
| | 3 | WED_- | White light negative |
| | 4 | WED_+ | White light positive |
| | 5 | RED_- | Infrared lamp negative |
| | 6 | RED_+ | Infrared lamp positive |