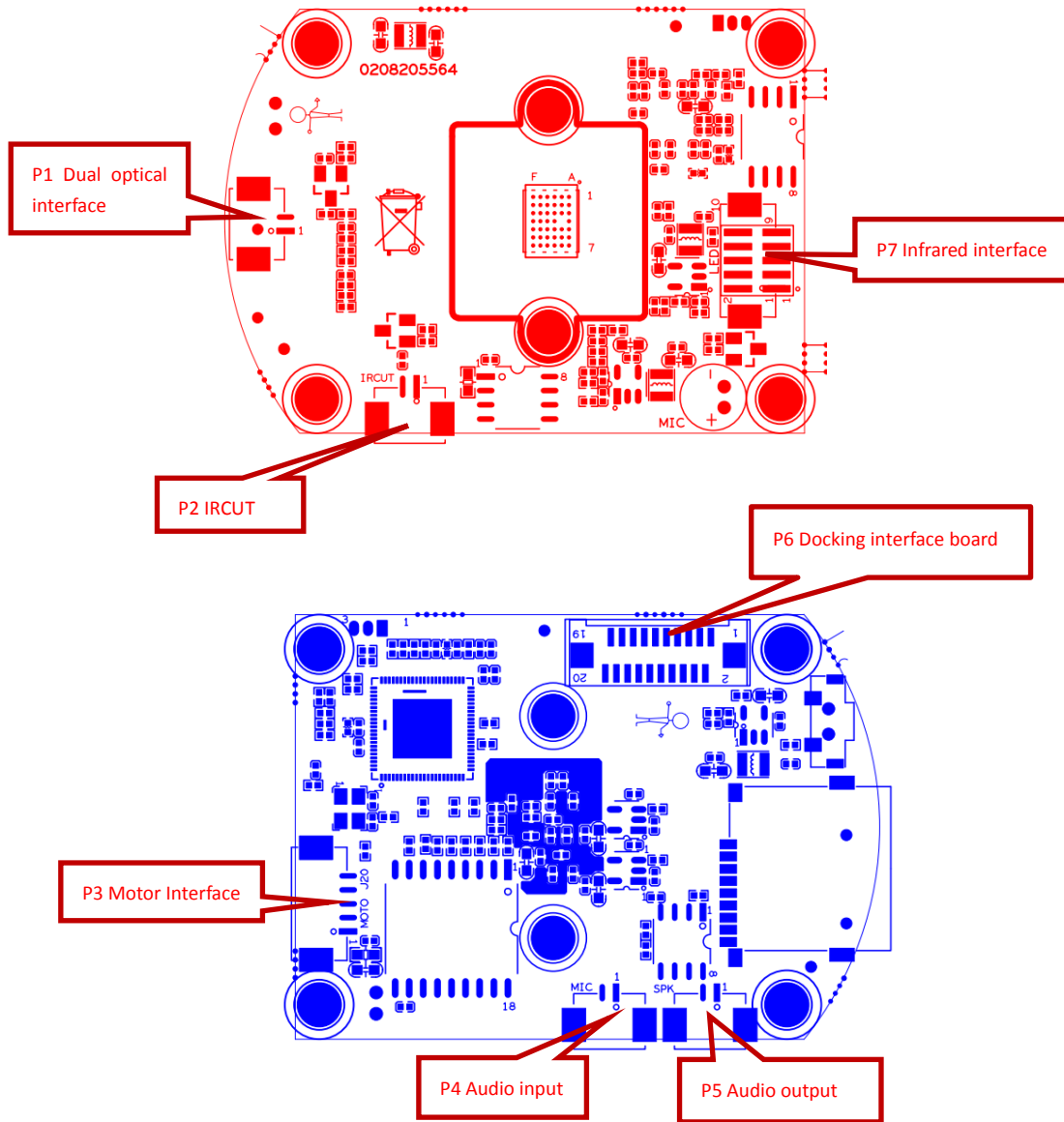


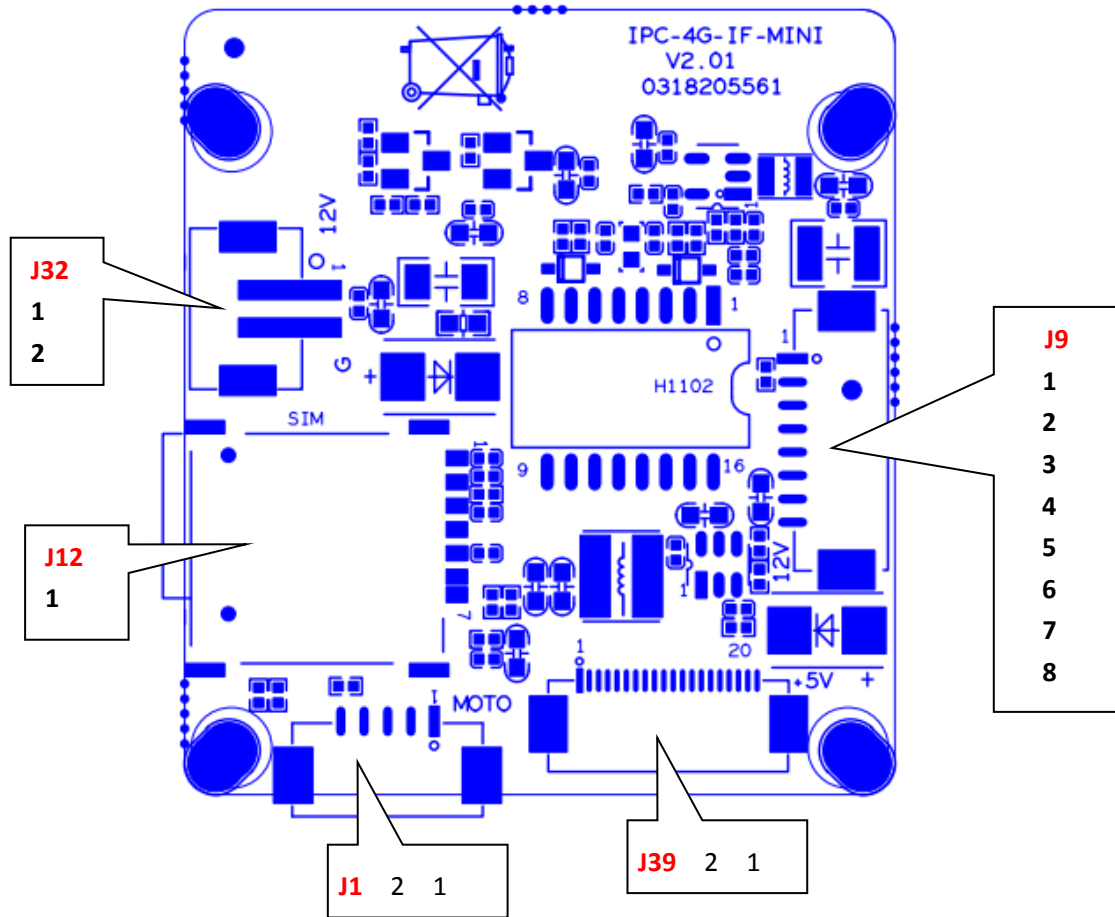
IPG-G3-4GQC

Interface description



sign	Socket	Specific No	Interface Description	Function
P2	CN1	1	IRCUT-CONTROL2	IC-CUT driver
		2	IRCUT-CONTROL1	
P3	J20	1	+5V_M1	power
		2	OUT5	Vertical motor control
		3	OUT6	
		4	OUT7	
P1	J32	1	WLED	White light control

		2	RLED	Infrared lamp control
P5	J12	1	AC_OUTL	loudspeaker
		2	AC_OUTR	loudspeaker
P7	J24	1	5V	5V power
		2	RED	Infrared input
		3	STATE_GPIO6_7	GPIO
		4	GND	GND
		5	LED_GPIO1_6+	GPIO
P4	J11	1	GND	GND
		2	AC_IN	Audio input
P6	J31	1	OUT1	Motor output 1
		2	OUT2	Motor output 2
		3	OUT3	Motor output 3
		4	OUT4	Motor output 4
		5	GND	GND
		6	KED_SET	Reset key
		7	GND	GND
		8	WIFI_PDN	WIFI enabled
		9	WIFI_DN	WIFI data
		10	WIFI_DP	WIFIdata
		11	GND	GND
		12	MDI_AN	Network signal
		13	MDI_AP	Network signal
		14	GND	GND
		15	MDI_BP	Network signal
		16	MDI_BN	Network signal
		17	GND	GND
		18	NC	NC
		19	5V	5V power
		20	5V	5V power



Socket	Specific No	Interface Description	Function
J32	1	12V	Lamp board interface
	2	GND	
J12	1	SIM	SIM card slot
J1	1	+5V	motor drive
	2	OUT1	
	3	OUT2	
	4	OUT3	
	5	OUT4	
	1	KEY_SET	Reset

J9	2	LED	Network port indicator light (false) always on
	3	ETHTX+	Network port signal
	4	ETHTX-	
	5	ETHRX+	
	6	ETHRX-	
	7	GND	GND
	8	+12V	12V
J39	1...4	OUT1-OUT4	Horizontal motor control
	5,7,11,14,17	GND	GND
	6	KEY_SET	Reset
	8,9,10	Wifi	Wif data line
	12,13,15,16	ETH	ETH signal line
	18	1V8	1.8V
	19,20	+5V	5V