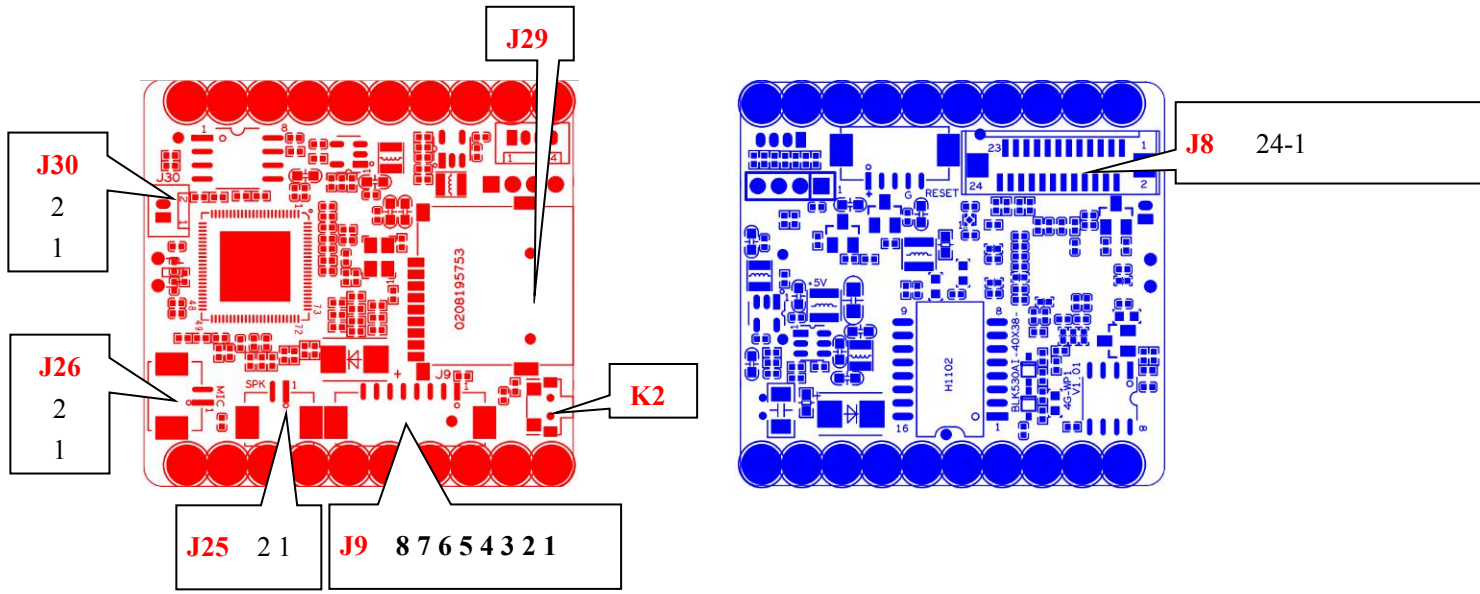


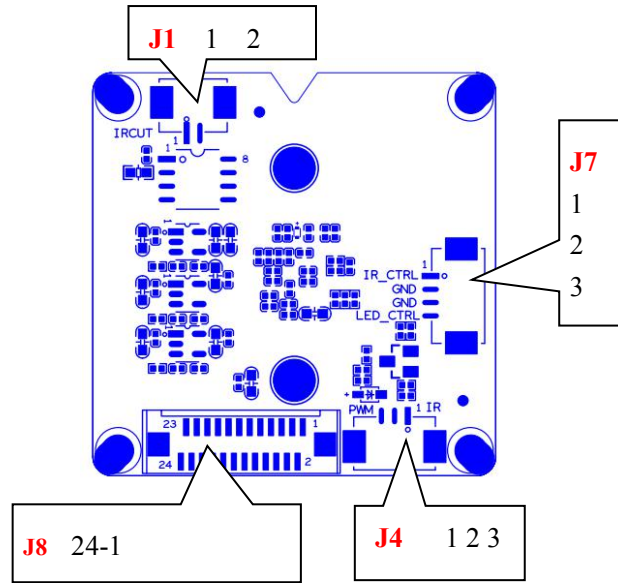
BLK530AI-40X38-4G-WP1 V1.01



Socket	Specific No	Interface Description	Function
J26	1	MIC_G	Connect the MIC
	2	MIC_IN	
J25	1	SPKN	Connect the speakers
	2	SPKP	
J9	1	KEY_SET	Connect the tail line of the camera module
	2	LED1/PHY_AD1+	
	3	ETHTX+	
	4	ETHTX-	
	5	ETHRX+	
	6	ETHRX-	
	7	GND	
	8	12V	
J8	1	I_MIPI_DATA1N	Connect the sensor module
	2	I_MIPI_DATA1P	
	3	I_MIPI_DATA2N	
	4	I_MIPI_DATA2P	
	5	I_MIPI_DATA3N	
	6	I_MIPI_DATA3P	
	7	I_MIPI_CLKP	
	8	I_MIPI_CLKN	
	9	I_MIPI_DATA0P	

	10	I_MIPI_DATA0N	
	11	GND	
	12	ADC1_IN	
	13	SEN0_MCLK	
	14	GND	
	15	SDA	
	16	SCL	
	17	IRCUT_A	
	18	IRCUT_B	
	19	IR_CTRL/ALARM_IN	
	20	GND	
	21	LED_CTRL/ALARM_OUT	
	22	PWM	
	23	GND	
	24	+5V	
K2	KEY_SET		Reset key
J29	SD		TF
J31	1	+5V	Connect 4G board
	2	USB_DN	
	3	USB_DP	
	4	GND	
	5	4G_RESET	
J30	1	3V3	Battery interface
	2	GND	

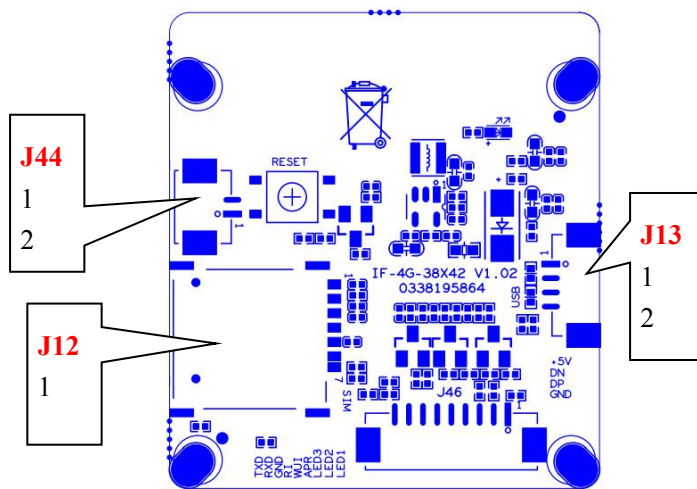
CMOS0235P-38X38-WP1 V1.02



Socket	Specific No	Interface Description	Function
J4	1	RED_CTRL	Infrared signal input
	2	GND	
	3	PWM	
J7	1	IR_CTRL/ALARM_IN	GPIO
	2	GND	
	3		
	4	LED_CTRL/ALARM_OUT	
J1	1	IRCUT_A	IRCUT
	2	IRCUT_B	
J8	1	I_MIPI_DATA1N	Connect the main module
	2	I_MIPI_DATA1P	
	3	NC	
	4	NC	
	5	NC	
	6	NC	
	7	I_MIPI_CLKP	
	8	I_MIPI_CLKN	
	9	I_MIPI_DATA0P	
	10	I_MIPI_DATA0N	
	11	GND	
	12	ADC1_IN	
	13	SEN0_MCLK	
	14	GND	

	15	SDA	
	16	SCL	
	17	IRCUA_A	
	18	IRCUA_B	
	19	IR_CTRL/ALARM_IN	
	20	GND	
	21	LED_CTRL/ALARM_OUT	
	22	PWM	
	23	GND	
	24	+5V	

IF-4G-38X42 V1.02



J44	1	KEY_SET	Reset key interface
	2	GND	
J13	1	+5V	Connect the main module
	2	USB_DN	
	3	USB_DP	
	4	GND	
J12	1	SIM	SIM card slot