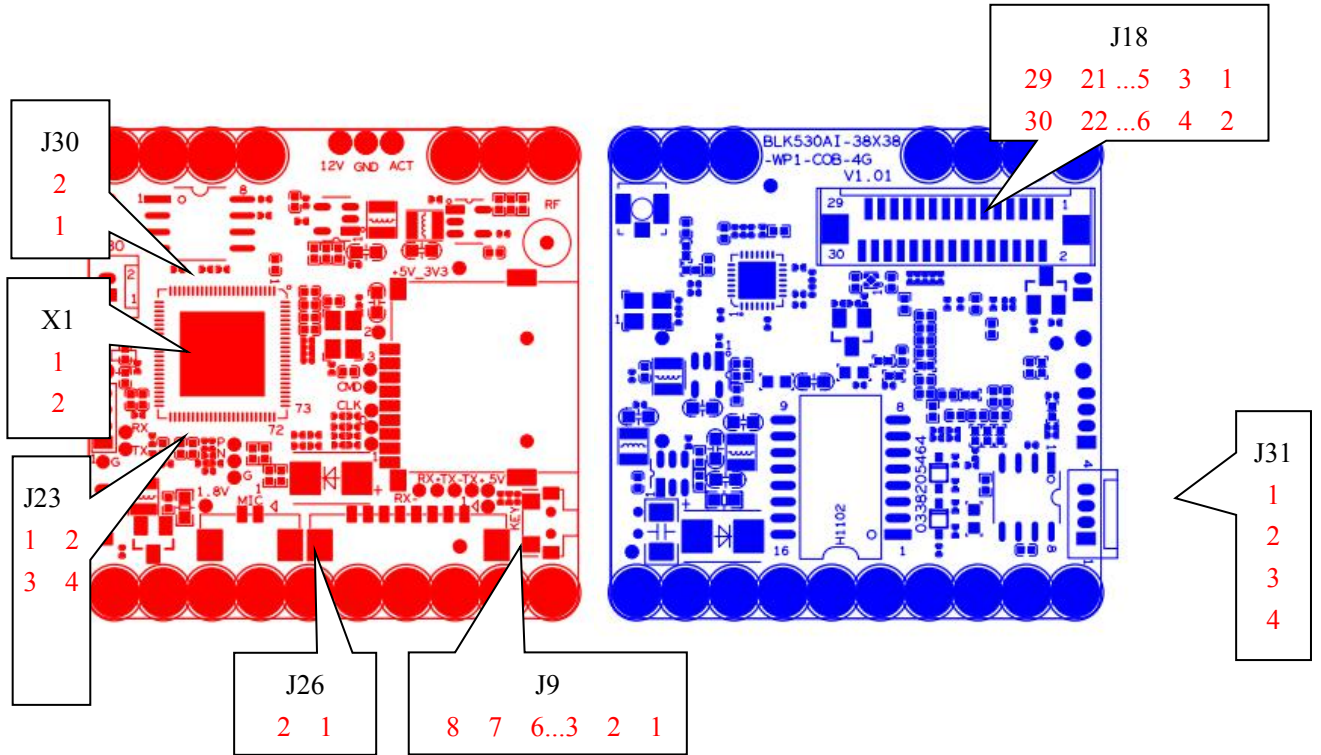


# BLK530AI-38X38-WP1-WIFI-4G-V1\_01

## Interface description



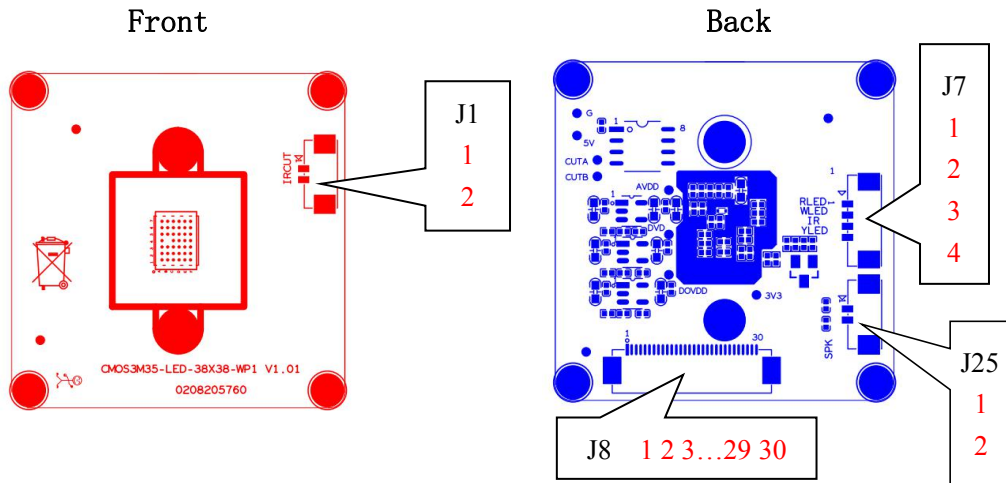
Socket	Specific No	Interface Description	Function	
J9	1	KEY_SET	KEY_SET	Connect the tail line of the camera module
	2	LED1	LED/PHY_AD1	
	3	ETHTX+	Ethernet signal+	
	4	ETHTX-	Ethernet signal-	
	5	ETHRX+	Ethernet signal+	
	6	ETHRX-	Ethernet signal-	
	7	GND	GND	
	8	12V	12V DC input	
J26	1	MICIN	MIC IN-	Connect the pickup
	2	MICIP	MIC IP+	
X1	1	RTC_BAT	RTC_BAT	Connect the RTC Battery
	2	GND	GND	
J23	1	GND	GND	Serial port debugging seat
	2	UART0_TXD	UART0_TXD	
	3	UART0_RXD	UART0_RXD	

	4	BOOST	ROM	
J18	1	I_MIPI_DATA1N_D8	MIPI data 1 negative signal / DVP data DATA8	Connect the sensor module
	2	I_MIPI_DATA1P_D9	MIPI data 1 positive signal / DVP data DATA9	
	3	I_MIPI_DATA2N_D4	MIPI data 2 negative signal / DVP data DATA4	
	4	I_MIPI_DATA2P_D2	MIPI data 2 positive signal / DVP data DATA2	
	5	I_MIPI_DATA3N_D5	MIPI data 3 negative signal / DVP data DATA5	
	6	I_MIPI_DATA3P_D3	MIPI data 3 positive signal / DVP data DATA3	
	7	I_MIPI_CLKP_D7	MIPI clock positive signal / DVP data DATA7	
	8	I_MIPI_CLKN_D6	MIPI clock negative signal / DVP data DATA6	
	9	I_MIPI_DATA0P_D10	MIPI data 2 positive signal / DVP data DATA10	
	10	I_MIPI_DATA0N_D11	MIPI data 3 negative signal / DVP data DATA11	
	11	GND	GND	
	12	ADC1_IN	ADC sampling signal	
	13	SENO_MCLK	Sensor clock input	
	14	GND	GND	
	15	SDA	I2C data line	
	16	SCL	I2C clock line	
	17	IRCUT_A	IRCUT_A	
	18	IRCUT_B	IRCUT_B	
	19	SENSOR_VS	DVP frame synchronization	
	20	SENSO_HS	External synchronization trigger	
	21	SENSOR_PCLK	Sensor clock signal	
	22	GND	GND	

	23	SPKP	speaker	
	24	SPKN	speaker	
	25	WLED_GPI0041	LED light panel control	
	26	RLED_GPI0039		
	27	YLED_GPI0093		
	28	GND	GND	
	29	3V3	3.3V power output	
	30	+5V	5V power output	
J30	1	UART1_TXD	Serial output	PTZ control
	2	NC	NC	

## CMOS3M35-LED-38X38-WP1-V1\_01

### Interface description



Socket	Specific No	Interface Description	Function	
J1	1	IR_CUTA	IR_CUTA	IR-CUT
	2	IR_CUTB	IR_CUTB	
J7	1	RLED_GPI0039	Alarm input / red light control (double light panel)	Lamp board interface (controlled in lamp board)
	2	WLED_GPI0041	Alarm input / white light control (double light panel)	
	3	ADCIN	IR hard photosensitive signal	

	4	YLED_GPI0093	Yellow light control	
J8	1	I_MIPI_DATA1N_D8	MIPI data 1 negative signal / DVP data DATA8	Connect to main control board
	2	I_MIPI_DATA1P_D9	MIPI data 1 positive signal / DVP data DATA9	
	3	I_MIPI_DATA2N_D4	MIPI data 2 negative signal / DVP data DATA4	
	4	I_MIPI_DATA2P_D2	MIPI data 2 positive signal / DVP data DATA2	
	5	I_MIPI_DATA3N_D5	MIPI data 3 negative signal / DVP data DATA5	
	6	I_MIPI_DATA3P_D3	MIPI data 3 positive signal / DVP data DATA3	
	7	I_MIPI_CLKP_D7	MIPI clock positive signal / DVP data DATA7	
	8	I_MIPI_CLKN_D6	MIPI clock negative signal / DVP data DATA6	
	9	I_MIPI_DATA0P_D10	MIPI data 2 positive signal / DVP data DATA10	
	10	I_MIPI_DATA0N_D11	MIPI data 3 negative signal / DVP data DATA11	
	11	GND	GND	
	12	ADC1_IN	ADC sampling signal	
	13	SEN0_MCLK	Sensor clock input	
	14	GND	GND	
	15	SDA	I2C data line	
	16	SCL	I2C clock line	
	17	IRCUT_A	IRCUT_A	
	18	IRCUT_B	IRCUT_B	
	19	SENSOR_VS	DVP frame synchronization	
	20	SENSOR_HS	External synchronization trigger	
	21	SEN0_PCLK	Sensor clock signal	
	22	PWM	PWM wave output	

	23	SPKN	speaker	
	24	SPKP	speaker	
	25	WLED_GPI0041	White light control signal	
	26	RLED_GPI0039	Infrared lamp control signal	
	27	YLED_GPI0093	Flash control signal	
	28	GND	GND	
	29	3V3	3.3V power	
	30	+5V	5V power	
J25	1	SPKN	speaker	speaker interface
	2	SPKP	speaker	