

Household IP Camera KA Series



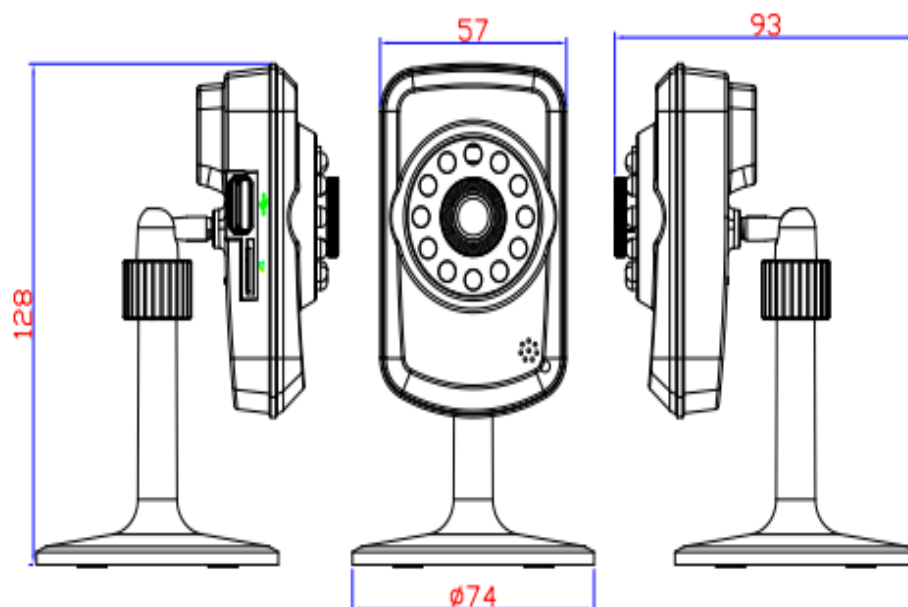
Model:

IPC-KA5110PL-IR1 IPC-KA5110PL-W-IR1

Feature:

- Introduce high advanced Hi3518C, presenting vivid and clear image with low power.
- Low illumination,0.6Lux @ (F1.2,AGC ON),0 LUX with IR
- Support IR-CUT,realising day&night non-stop monitoring.
- Introduce advanced H.264 HP video compression, achieving ultra-low bit-rate, superb high-definition picture quality.
- Support TF card local storage.
- Support two-way audio、 support dual-stream.
- Plug and Play,multiple Network Cloud security and surveillance
- support various mobile long-distance monitoring (iPhone,Windows Mobile, BlackBerry,Symbian, Android)
- Support multiple web browsers (IE、 Chrome、 Firefox、 Safari)
- Support WIFI (only apply to-W type)
- support auto electronic shutter, adapt to different monitoring environment.web and CMS supporting、 central management software MYEYE, providing SDK development.
- support HVR/NVR connection, conform to ONVIF.

Dimension:



Specification:

型号	IPC-KA5110PL-IR1	IPC-KA5110PL-W-IR1
camera		
image sensor	1/4" OV 09712 CMOS	
min.illumination	Color:0.6Lux @ (F1.2,AGC ON),0 LUX with IR, black/white:0.08Lux @ (F1.2,AGC ON),0 LUX with IR	
shutter	1/50(1/60)s - 1/10,000s	
lens	professional lens 4mm@F2.0(6mm)	
lens mount	M12	
day/night	Support IR-CUT	
compression		
video compression	H.264 HighProfile, JPEG snapshot	
bite rate	32 Kbps~6Mbps	
audio compression	G.711a	
image		
max.image resolution	1280*720	
frame rate	50Hz:25fps(1280*720) 60Hz:30fps(1280*720)	
image setting	Saturation, brightness and contrast are adjustable through IE browser or client	

network	
storage	Sipport TF storage、network storage
intelligent alarm	Motion detection, video loss, cable break, IP address conflicts, memory full, memory error
WIFI	NO <input type="checkbox"/> support
protocol	TCP/IP,HTTP,DHCP,DNS,DDNS,PPPoE,SMTP,NTP(HTTPS,SIP,802.1x,IPv6)
basic	one key reset, anti-flicker, dual-stream, heartbeat, password protection
interface	
Audio input	1ch Micro port
Audio output	1ch 3.5mmJACK port
Network interface	1RJ45 10M/100M
Alarm input	1ch switch
Alarm output	1ch switch
general	
Operating condition	-10℃~60℃, humidity less than 90%(non-condensing)
power supply	DC5V±10%
power consumption	IR1: 5W MAX
IR distance	-IR1:10-20 meters
dimension	74mm*128mm*57mm