

**AHC-HS5110PT-M-IR2
AHD IR Wheelk Camera**



Features:

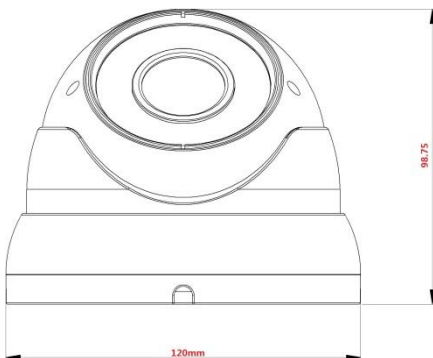
1. using high-performance sensor, image clarity, and delicate;
2. Support IR-CUT filter switching, to achieve day and night monitoring;
3. analog HD 720P @ AHD video output;
4. the transmission distance over 500 meters;
5. need access to the back-end AHD DVR;
6. support for ultra-low-light;
7. support for automatic electronic shutter function, adapt to different monitoring environment;

Scenarios:

Apply to roads, warehouses, underground parking and other place which required definition picture quality.

Model:

AHC-HS5110PT-M-IR2



Parameters:

Model	AHC-HS5110PT-M-IR2
Sensor	1/4" H42 CMOS
Signal System	720P@AHD
Effective Pixels	PAL:1280*720
Minimum Illumination	Color: 0.1Lux @(F1.2,AGC ON),0 LUX with IR
	B&W: 0.01 Lux @ (F1.2,AGC ON),0 LUX with IR
Shutter	1/50(1/60)s to 1/10,000s
Day and Night Function	Support IR-CUT
Lens Type	HD professional lens 3.6mm,6mm
Lens Parameters	M12
Video output	1Vp-p Composite Output(75Ω/BNC)
Temperature and Humidity	- 10℃ ~ 60℃, humidity is less than 90% (no condensation)
Power supply	DC12V±10%
Consumption	6W MAX
Dimension	∅ 93mm*65mm
Weight	176g