

**AHC-HS5110PL-M-IR2
AHD IR Wheelk Camera**



Features:

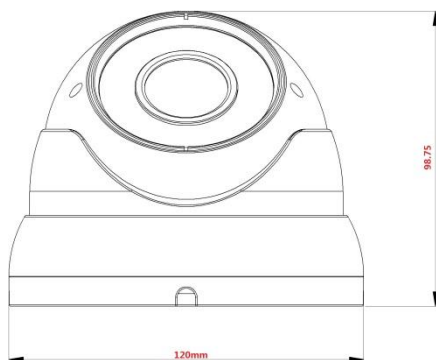
1. using high-performance sensor, image clarity, and delicate;
2. Support IR-CUT filter switching, to achieve day and night monitoring;
3. analog HD 720P @ AHD video output;
4. the transmission distance over 500 meters;
5. need access to the back-end AHD DVR;
6. support for ultra-low-light;
7. support for automatic electronic shutter function, adapt to different monitoring environment;

Scenarios:

Apply to roads, warehouses, underground parking and other place which required definition picture quality.

Model:

AHC-HS5110PL-M-IR2



Parameters:

| | |
|--------------------------|--|
| Model | AHC-HS5110PL-M-IR2 |
| Sensor | 1/4" OV9712 CMOS |
| Signal System | 720P@AHD |
| Effective Pixels | PAL:1280*720 |
| Minimum Illumination | Color: 0.1Lux @(F1.2,AGC ON),0 LUX with IR |
| | B&W: 0.01 Lux @ (F1.2,AGC ON),0 LUX with IR |
| Shutter | 1/50(1/60)s to 1/10,000s |
| Day and Night Function | Support IR-CUT |
| Lens Type | HD professional lens 3.6mm,6mm |
| Lens Parameters | M12 |
| Video output | 1Vp-p Composite Output(75Ω/BNC) |
| Temperature and Humidity | - 10℃ ~ 60℃, humidity is less than 90% (no condensation) |
| Power supply | DC12V±10% |
| Consumption | 6W MAX |
| Dimension | ∅ 93mm*65mm |
| Weight | 176g |