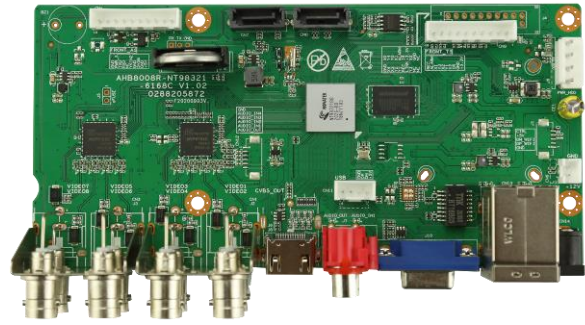




AHB80N08R-LME

Feature:

- Support H.265+ encoding, ultra-low bitrates, compatible with H.264 surroundings
- Support VGA, HDMI full HD output simultaneously
- Support ONVIF; access third party
- Support multiple cloud technology, network penetration, alarm information pushed to your phone and other functions
- Support web, VMS, center platform management software MYEYE, provide SDK development
- Support various mobile monitoring (iPhone, Android)
- Remote Access, With DNS (ARSP),easy to monitor remotely
- Support UTC, control signal& video stream transmit through one single coaxial
- Support XVI/AHD/TVI/CVI/CVBS/IP six signals
- Support intelligent analysis: Human detection, face detection

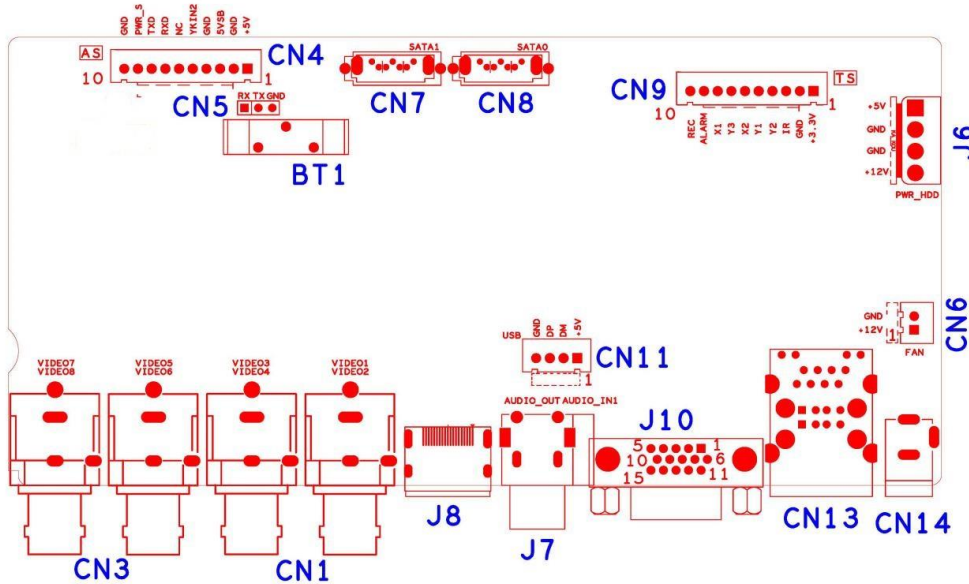


Specification:

	Model	AHB80N08R-LME
System	Main processor	NT98321
Interface	Preview	1/4/8/9
Video	Codec	H.265+
	Monitor quality	VGA(1080P at most);HDMI(2K at most)
	Preview ability	8*5M-N@12fps(6 in 1)/ 8*4M-N@15fps (6 in 1) / 8*1080P@15fps (XVI), default:5M-N
	Encode ability	8*5M-N@12fps(6 in 1)/ 8*4M-N@15fps (6 in 1) / 8*1080P@15fps (XVI), default:5M-N
	Decode ability	8*5M-N@12fps(6 in 1)/ 8*4M-N@15fps (6 in 1) / 8*1080P@15fps (XVI), default:5M-N
	Multi-mode input	Analog: 8*5M-N hybrid: 8*5M-N (analog) +4*1080P (network) Network: 16*1080P; 8*5M
	Motion Detection	Each screen can be set to 192 (16 * 12) detection areas; multi-level sensitivity can be set (Limited local channel)
Audio	Audio compression	G.711A
	Intercom	support
Record & playback	Record mode	manual>alarm>motion detection>timing
	Local Playback	4ch(analog input mode)
	Search mode	Search by time, calendar, event, channel
Storage & backup	Video storage	HDD, network
	Backup mode	Network, USB hard disk, USB burner, SATA burner
External Interface	Video input	8ch BNC
	Video output	1ch VGA, 1ch HDMI
	Loop Vout	N/A
	Audio I/O	1/1
	Alarm I/O	0/0
	Network interface	RJ45 10M/100M self-adaption
	PTZ control	Support kinds of PTZ protocols



	USB	2* USB 2.0 ports
	HDD	2*SATA ports (Max 14TB/per)
	Wireless	3G, WIFI (extend via USB)
General	Power supply	12V/2A
	Power Consumption	<15W (without HDD)
	Working environment	Temperature:0℃—+55℃, Humidity:10%—90%, Atm:86kpa—106kpa
	Dimension	170mm*82mm
	Weight	140g



Socket	Function	Interface Description			
CN4	10PIN MCU front panel socket	1:+5	2:GND	3:5VSB	4:GND
		5:NC	6:NC	7:RXD	8:TXD
		9:PWR_S	10:GND		
CN5	Debug UART	1:RX	2:TX	3:GND	
BT1	Battery seat				
CN7	SATA1				
CN8	SATA0				
CN9	10PIN without MCU front panel socket	1:+3.3	2:GND	3:IR	4:Y2
		5:Y1	6:X2	7:Y3	8:X1
		9:ALARM	10:REC		
J6	SATA power socket	1:+5	2:GND	3:GND	4:+12
CN6	FAN power socket	1:+12	2:GND		
CN14	12V input				
CN13	2USB+RJ45				
J10	VGA				
CN11	USB expansion seat	1:+5	2:DM	3:DM	4:GND
J7	Audio seat	up: input	down: output		
J8	HDMI				



CN1	BNC Video input	Right up:VIDE01	Right down:VIDE02	Left up:VIDE03	Left down:VIDE04
CN3	BNC Video input	Right up : VIDE05	Right down:VIDE06	Left up:VIDE07	Left down: VIDE08