



AHB7808R-LM-V5

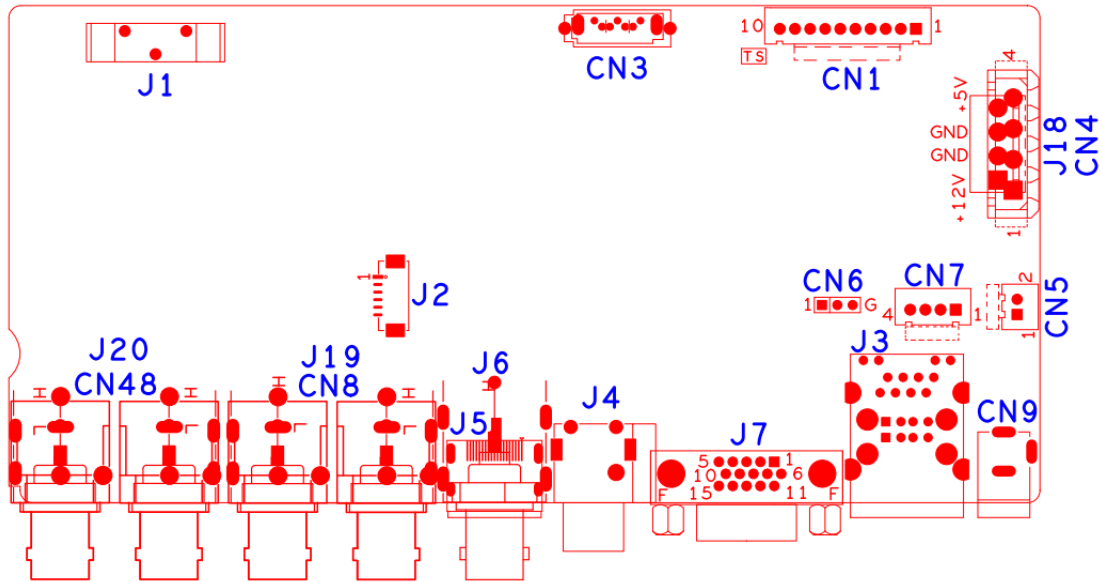
Feature:

- Support VGA, HDMI full HD output simultaneously;
- Support ONVIF; access third party;
- Support multiple cloud technology, network penetration, alarm information pushed to your phone and other functions;
- Support web, CMS, center platform management software MYEYE, provide SDK development;
- Support various mobile monitoring (ios, Android);
- Remote Access, With DNS (ARSP),easy to monitor remotely
- Support UTC, control signal& video stream transmit through one single coaxial
- Support XVI/ AHD/TVI/CVI/CVBS/IP six signals;



Specification:

	Model	AHB7808R-LM-V5
System	Main processor	Hi3520D V300
Video	Codec	H.264
	Monitor quality	VGA,HDMI: HD
	Preview ability	8*1080N
	Encode ability	8*1080N@12fps
	Decode ability	8*1080N@12fps
	Multi-mode input	analog: 8*1080N; hybrid: 2*1080P(analog)+2*1080P(network);4*1080N(analog)+4*960P(network); network: 16*1080P; 9*1080P;16*960P;4*5M
	Motion Detection	Each screen can be set to 192 (16 * 12) detection areas; multi-level sensitivity can be set (Limited local channel)
Audio	Audio compression	G.711A
	Intercom	support
Record	Record mode	manual>alarm>motion detection>timing
	Search mode	Search by time, calendar, event, channel
	Video storage	HDD, network
	Backup mode	Network, USB hard disk, USB burner, SATA burner
External Interface	Video input	8ch BNC
	Video output	1ch VGA, 1ch HDMI
	Audio I/O	1 (4) /1
	Alarm I/O	0/0
	Network interface	RJ45 10M/100M self-adaption
	Extension interface	2* USB 2.0 ports
	HDD	1*SATA ports (Max 8TB/per)
General	Power supply	12V/4A
	Working environment	Temperature:0℃—+55℃, Humidity:10%—90%, Atm:86kpa—106kpa
	Dimension	166mm*80mm
	Weight	158g



Socket	Function	Interface Description			
CN2	SATA				
CN3	SATA				
CN1	10Pin TS	1:+3.3	2:GND	3:IR	4:COL2
		5:COL1	6:ROW2	7:COL3	8:ROW1
		9:ALARM	10:REC		
J18/CN4	Hard disk power supply interface	1:+12	2:GND	3:GND	4:+5
CN6	RS232				
CN5	Fan power	1: +12	2: GND		
CN9	12V input				
J3	2USB+RJ45				
J7	VGA				
CN7	Front panel USB expansion	1:+5	2:USB2_DM	3:USB2_DP	4:GND
J6	Audio RCA combo interface	up: AUDIO1	down: AUDIO_OUT_MAIN		
J5	HDMI				
J6	CVBS				
J19/CN8	BNC Video input	Bottom left:VIDE04	Top left:VIDE03	Bottom right:VIDE02	Top right:VIDE01
J20/CN48	BNC Video input	Bottom left:VIDE08	Top left:VIDE07	Bottom right:VIDE06	Top right:VIDE05
J1	Battery holder				
J2	Audio extension	1:GND	2、 AUDIO4	3、 AUDIO3	4: AUDIO2
		5: AUDIO1	6: AUDIO_OUT_MAIN		